



US00D715135S

(12) **United States Design Patent**
Vecchiarelli et al.

(10) **Patent No.:** **US D715,135 S**
(45) **Date of Patent:** **** Oct. 14, 2014**

(54) **HANGER**

(71) Applicant: **Meridian International Co., Ltd.**,
Shanghai (CN)

(72) Inventors: **Gianni Vecchiarelli**, Centennial, CO
(US); **Brent Christopher**, Centennial,
CO (US); **Fei Li**, Shanghai (CN)

(73) Assignee: **Meridian International Co., Ltd.**,
Shanghai (CN)

(**) Term: **14 Years**

(21) Appl. No.: **29/454,286**

(22) Filed: **May 8, 2013**

(51) **LOC (10) Cl.** **08-05**

(52) **U.S. Cl.**
USPC **D8/373**

(58) **Field of Classification Search**
CPC B65D 73/00; B65D 73/0064
USPC D6/512, 513, 519; D8/373, 349, 354,
D8/355, 380; 248/346.01, 346.03, 346.06
See application file for complete search history.

(56) **References Cited**

U.S. PATENT DOCUMENTS

7,124,900 B2 * 10/2006 Hu 211/70.6
D624,808 S * 10/2010 Krawczak et al. D8/373
D691,460 S * 10/2013 Stanic et al. D8/354

2003/0205655 A1 * 11/2003 Chang 248/317
2005/0116130 A1 * 6/2005 Hu 248/309.1
2005/0279648 A1 * 12/2005 Liebers 206/5
2011/0168597 A1 * 7/2011 Titros et al. 206/495
2012/0318704 A1 * 12/2012 Salow et al. 206/557

FOREIGN PATENT DOCUMENTS

EP 2505515 A1 * 10/2012

* cited by examiner

Primary Examiner — Deanna L Pratt

Assistant Examiner — Ieisha Price

(74) *Attorney, Agent, or Firm* — Jason R. Sytsma;
Shuttleworth & Ingersoll, PLC

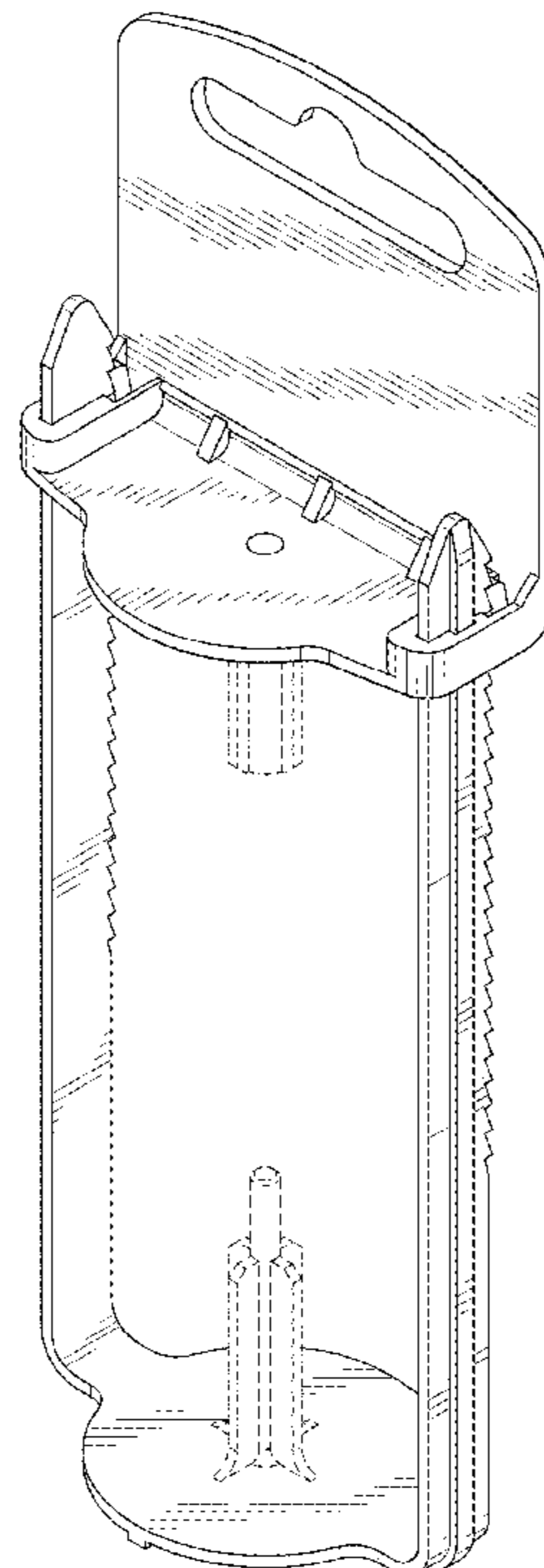
(57) **CLAIM**

The ornamental design for the hanger, shown and described.

DESCRIPTION

FIG. 1 is a perspective view of a hanger according to the invention;
FIG. 2 is a front view of the hanger of FIG. 1;
FIG. 3 is back view of the hanger of FIG. 1;
FIG. 4 is a right-side view of the hanger of FIG. 1;
FIG. 5 is a left-side view of the hanger of FIG. 1;
FIG. 6 is a top-side view of the hanger of FIG. 1; and,
FIG. 7 is a bottom-side view of the hanger of FIG. 1.
The broken lines in the drawings illustrate portions of the hanger which form no part of the claimed design.

1 Claim, 5 Drawing Sheets



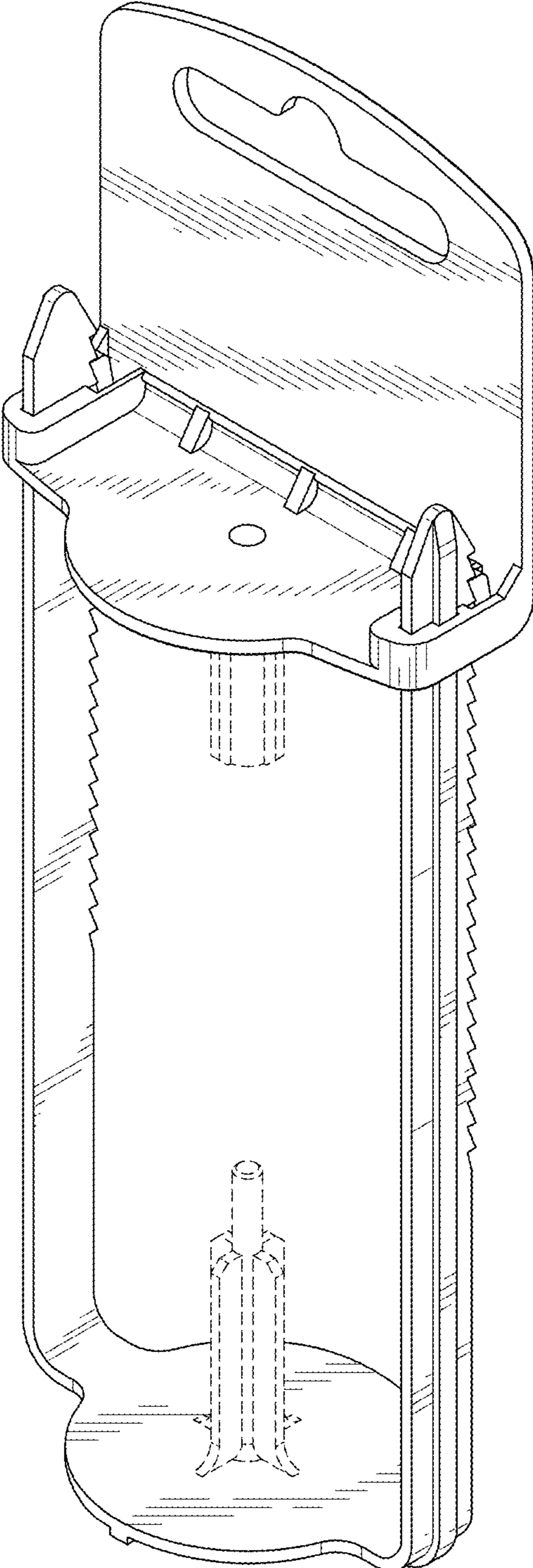


FIG. 1

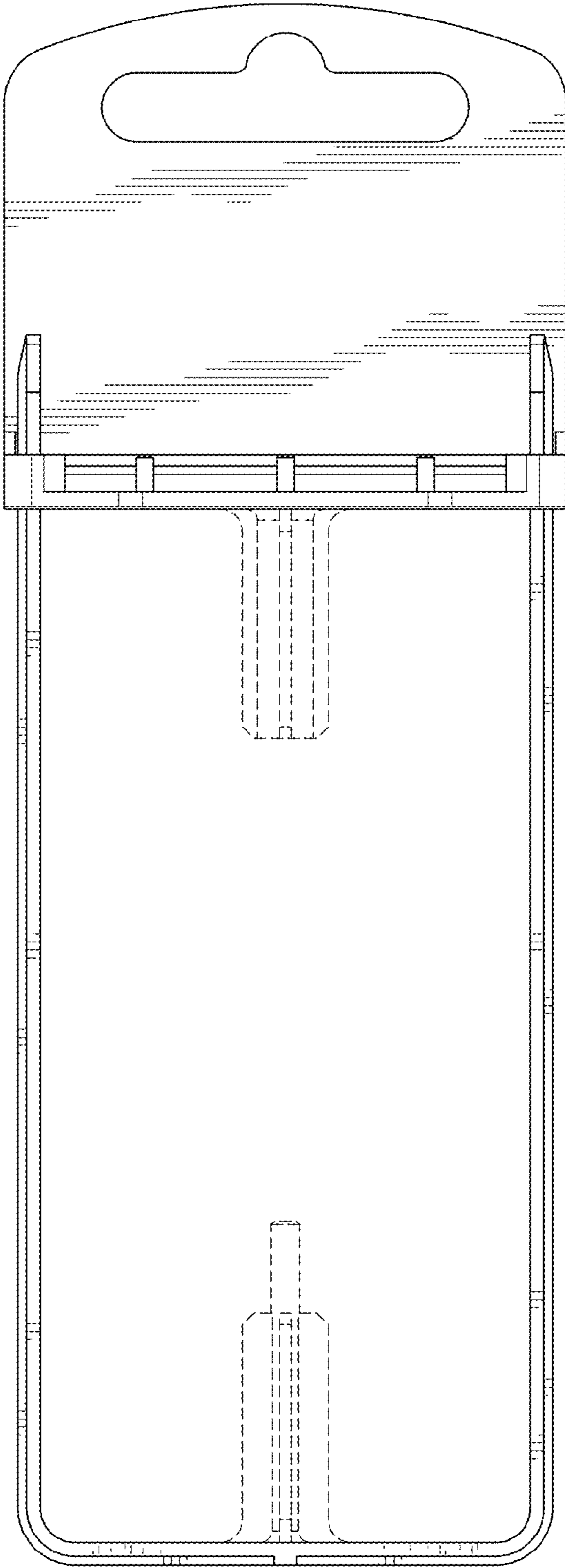


FIG. 2

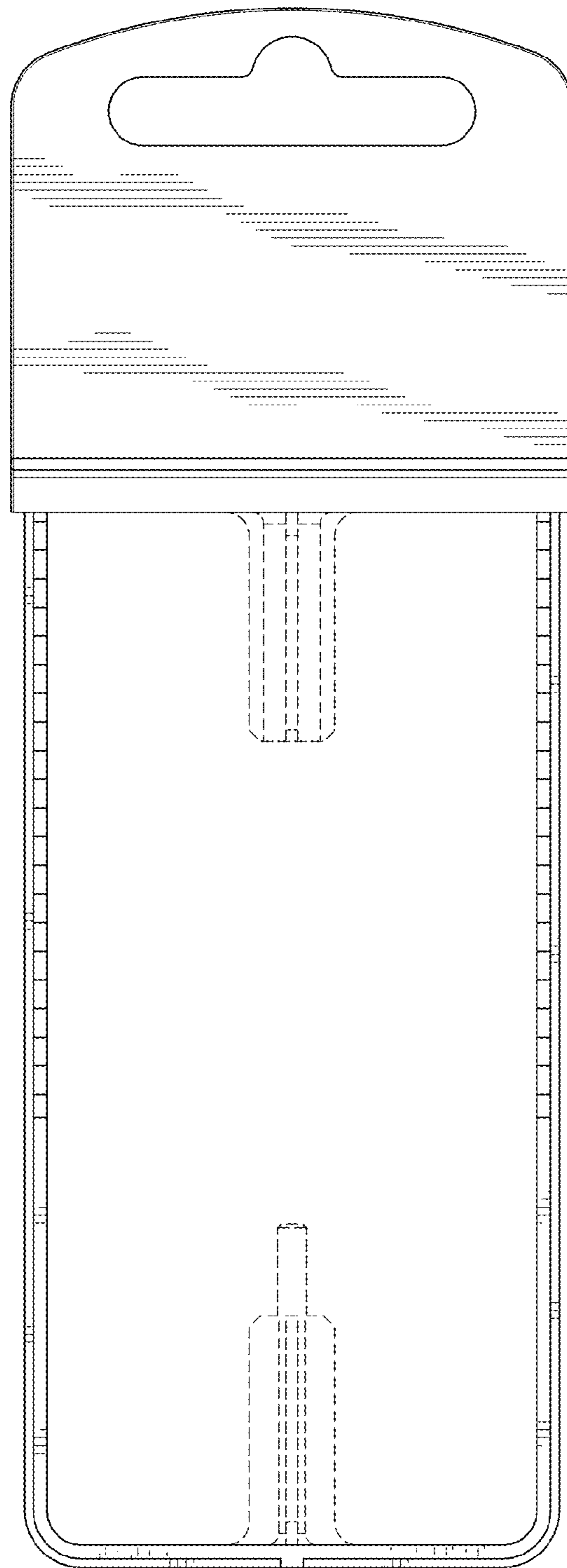


FIG. 3

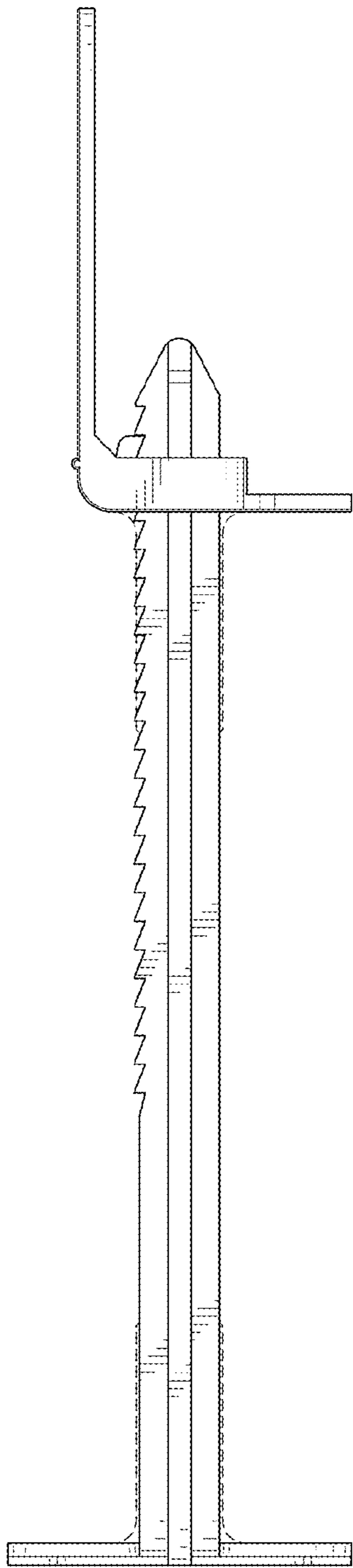


FIG. 4

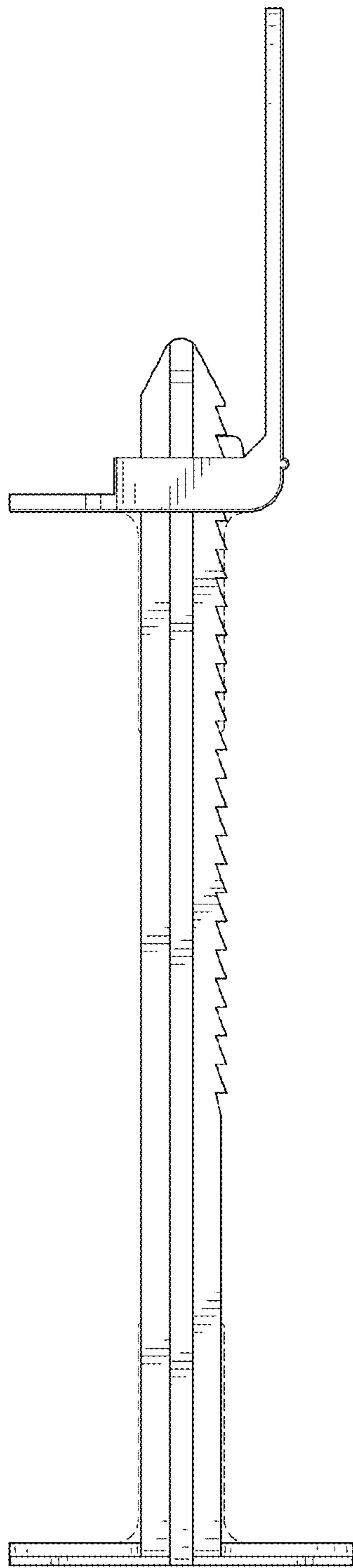


FIG. 5

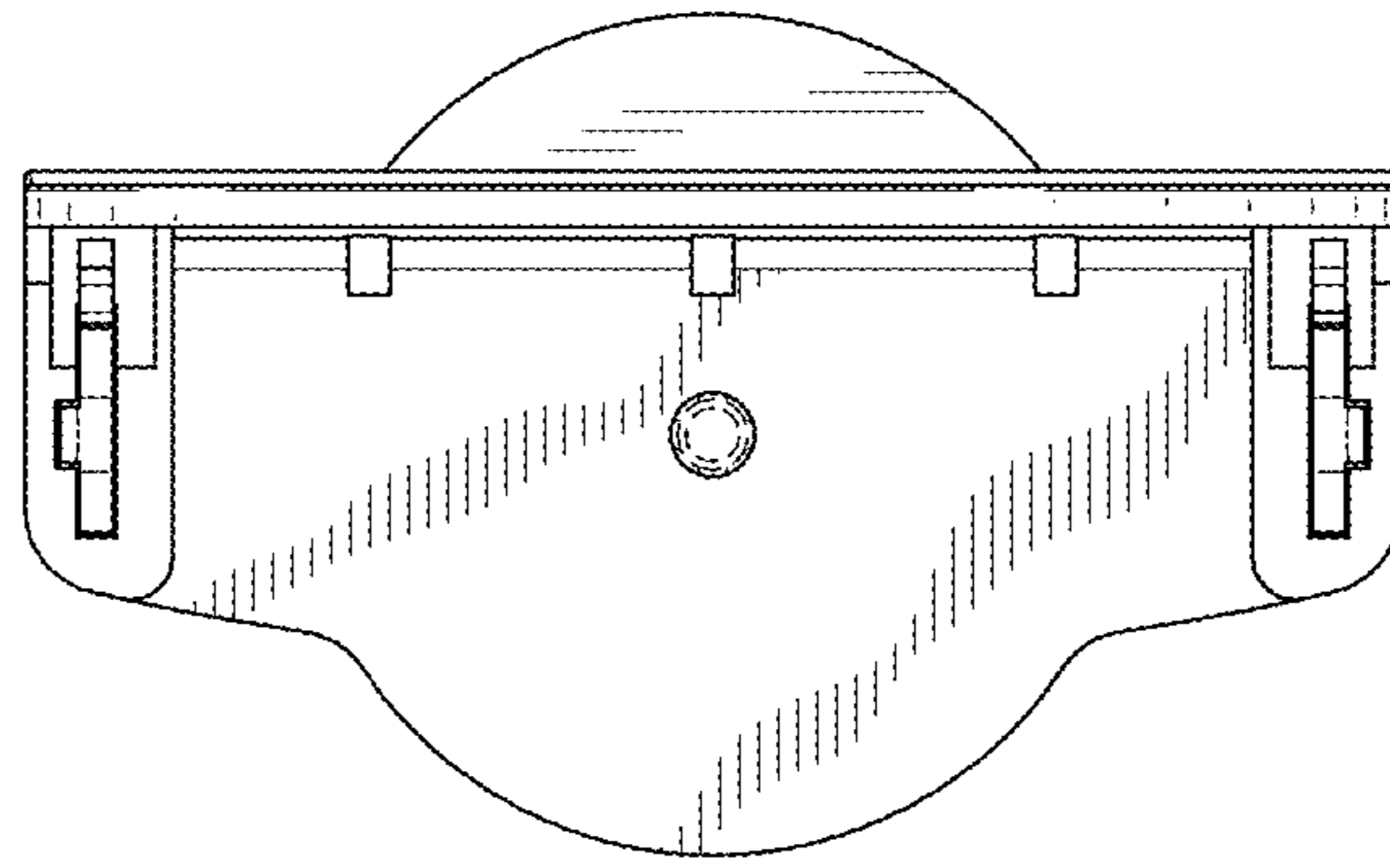


FIG. 6

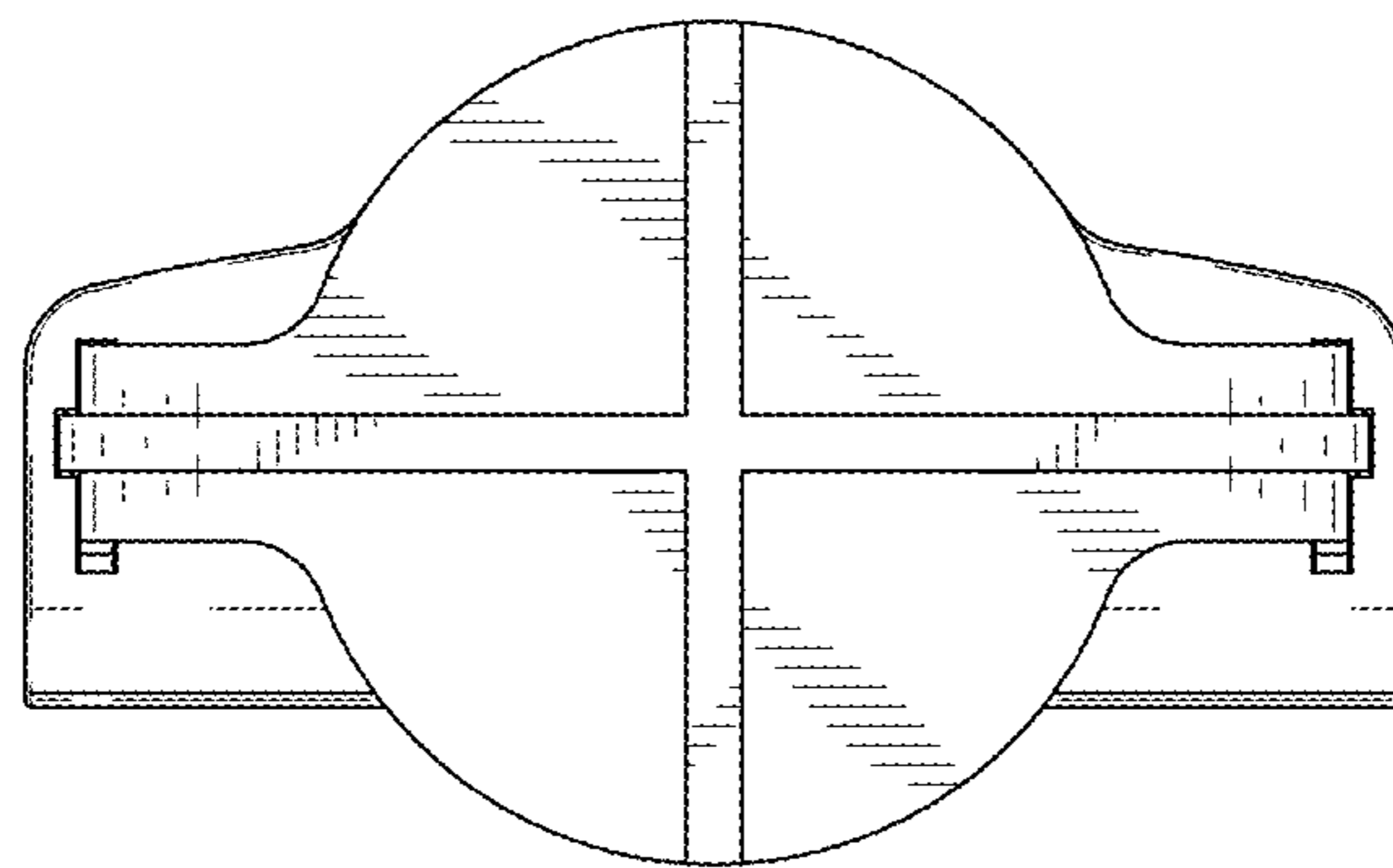


FIG. 7