



US00D715132S

(12) **United States Design Patent**
McSweyn et al.

(10) **Patent No.:** **US D715,132 S**
(45) **Date of Patent:** **** Oct. 14, 2014**

(54) **MAGNETIC MOUNTING SYSTEM WITH STRAIGHT STALK**

(71) Applicant: **Scosche Industries, Inc.**, Oxnard, CA (US)

(72) Inventors: **Christopher Michael McSweyn**, Oxnard, CA (US); **Vince Alves**, Oxnard, CA (US); **Mark Larson**, Camarillo, CA (US)

(73) Assignee: **Scosche Industries, Inc.**, Oxnard, CA (US)

(**) Term: **14 Years**

(21) Appl. No.: **29/476,364**

(22) Filed: **Dec. 12, 2013**

(51) **LOC (10) Cl.** **08-05**

(52) **U.S. Cl.**
USPC **D8/363**

(58) **Field of Classification Search**
CPC B60R 11/00; B60R 11/0241; B60R 11/0258; B60R 11/0264
USPC D8/349, 363, 354, 106, 355, 499; 224/483, 0.5, 929; 248/682, 683, 248/205.1, 206.2-206.5, 207, 208, 288.11, 248/288.31, 288.51; 108/151, 152, 161; D14/251, 253, 447, 217
See application file for complete search history.

(56) **References Cited**

U.S. PATENT DOCUMENTS

3,329,277	A	7/1967	Gaudino
3,642,122	A	2/1972	Von Ende
5,992,807	A	11/1999	Tarulli
6,076,790	A	6/2000	Richter
6,135,408	A	10/2000	Richter
6,149,116	A	11/2000	Won
6,305,656	B1	10/2001	Wemyss

6,382,482	B1	5/2002	Chao	
6,502,727	B1	1/2003	Decoteau	
6,888,940	B1	5/2005	Deppen	
7,021,593	B1 *	4/2006	Fan	248/206.2
D554,042	S *	10/2007	Richter	D12/415
D563,309	S *	3/2008	Richter	D12/415
7,374,142	B2	5/2008	Carnevali	
7,431,251	B2	10/2008	Carnevali	
D588,903	S *	3/2009	Carnevali	D8/355
8,016,255	B2	9/2011	Lin	
D670,157	S *	11/2012	Mo	D8/363
D677,709	S *	3/2013	Skeoch et al.	D16/242
D700,175	S *	2/2014	Ohm	D14/253
2005/0092875	A1 *	5/2005	Carnevali	248/160
2006/0290654	A1 *	12/2006	Wang	345/156
2007/0018064	A1 *	1/2007	Wang	248/274.1
2011/0192857	A1	8/2011	Rothbaum et al.	
2012/0229300	A1 *	9/2012	Fu	340/901
2012/0292463	A1 *	11/2012	Burns	248/125.8

* cited by examiner

Primary Examiner — Deanna L Pratt

Assistant Examiner — Ieisha Price

(74) *Attorney, Agent, or Firm* — Stetina Brunda Garred & Brucker

(57) **CLAIM**

The ornamental design for a magnetic mounting system with straight stalk, as shown and described.

DESCRIPTION

FIG. 1 is a top perspective view showing the magnetic mounting system with straight stalk.

FIG. 2 is a front view thereof;

FIG. 3 is a left side view thereof;

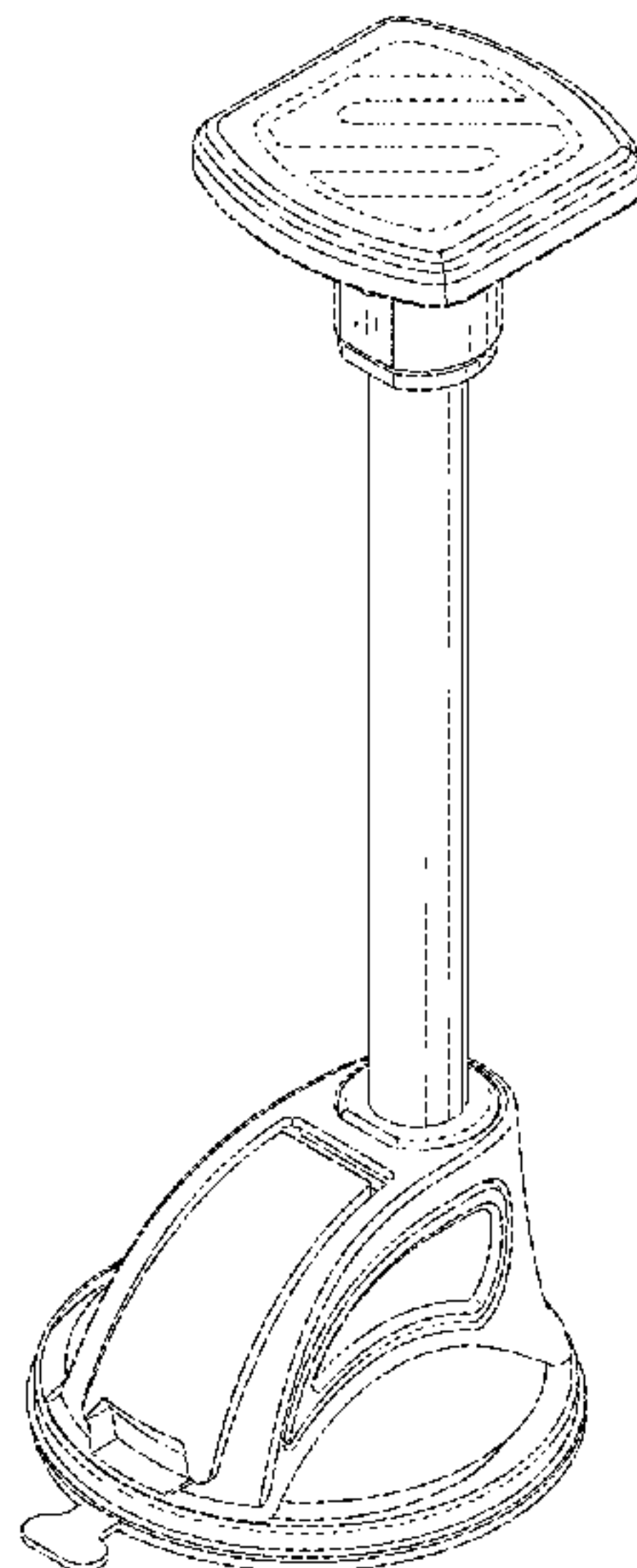
FIG. 4 is a rear view thereof;

FIG. 5 is a top plan view thereof; and,

FIG. 6 is bottom plan view thereof.

The broken lines in the drawings illustrate portions of the magnetic mounting system with angled stalk which form no part of the claimed design.

1 Claim, 3 Drawing Sheets



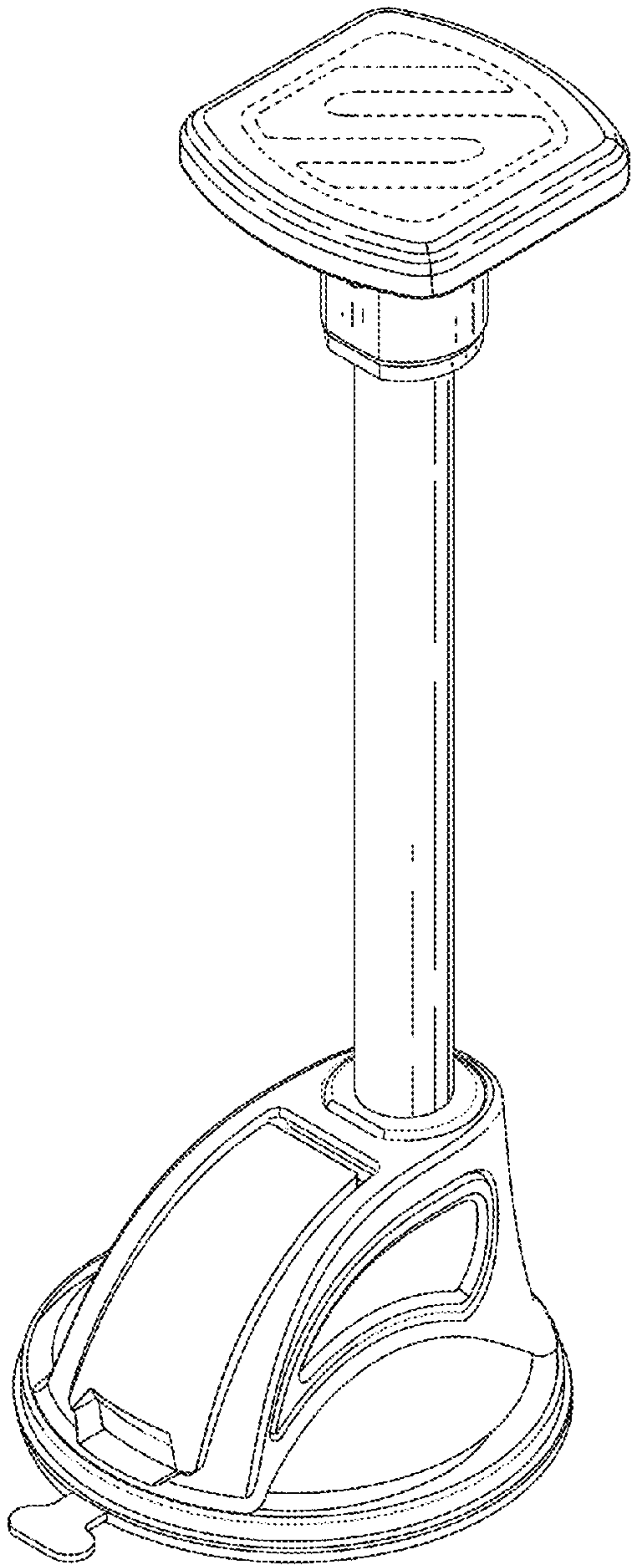


Fig. 1

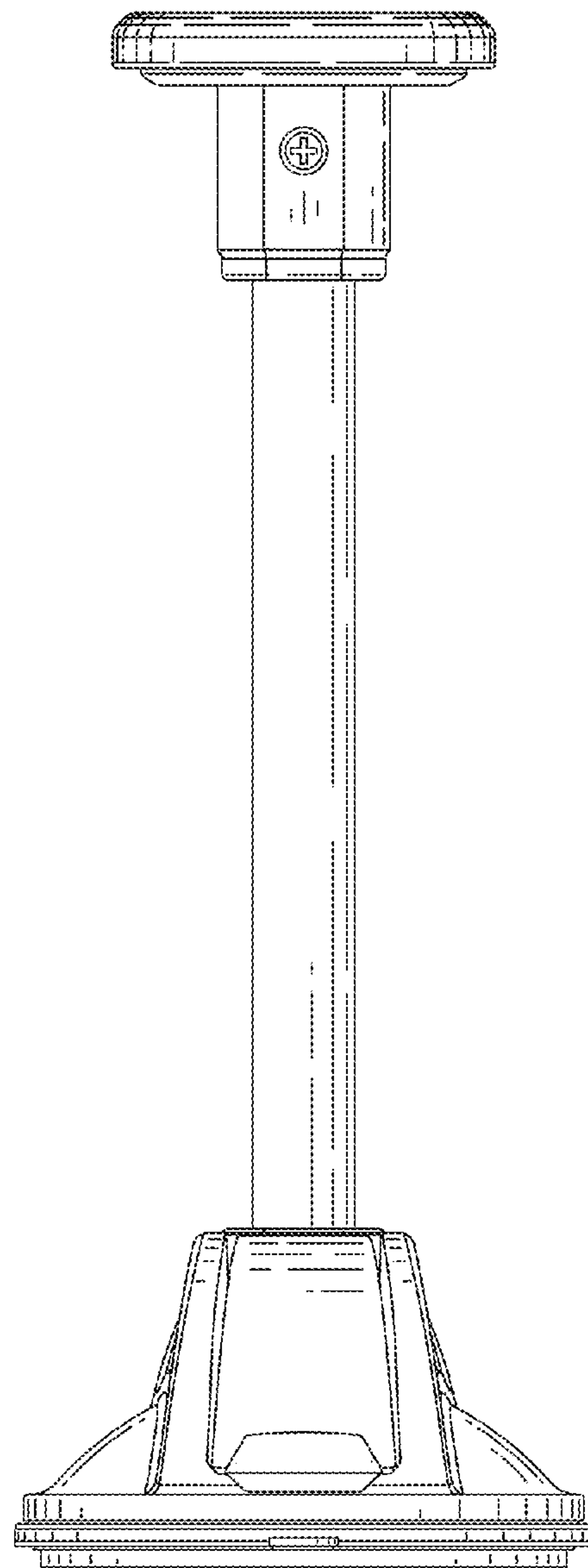


Fig. 2

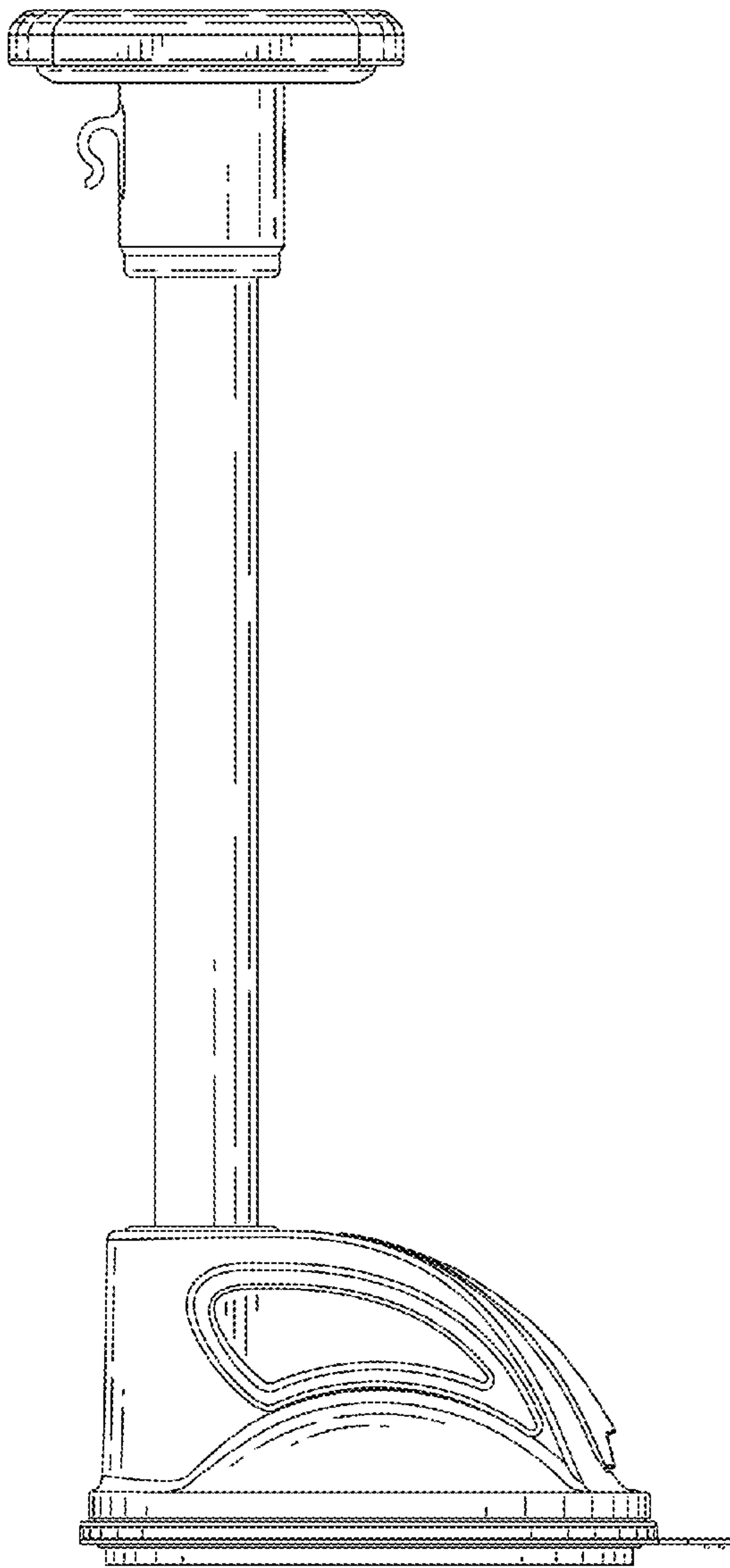


Fig. 3

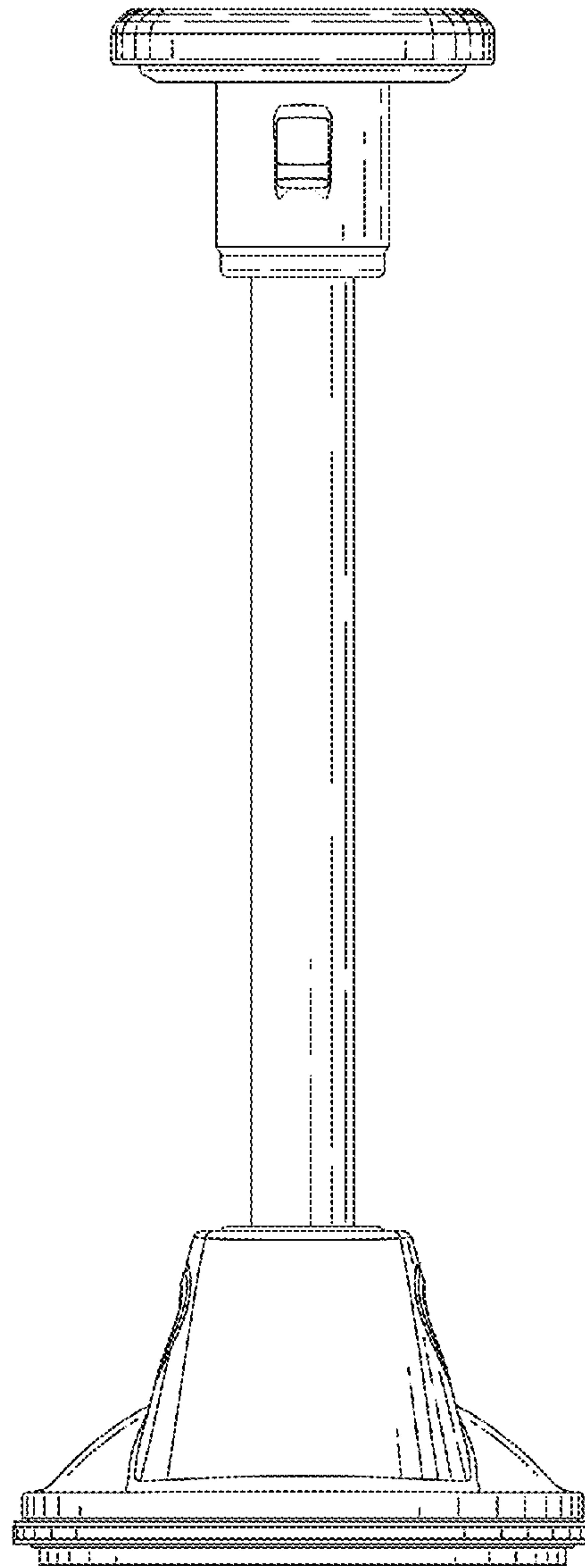


Fig. 4

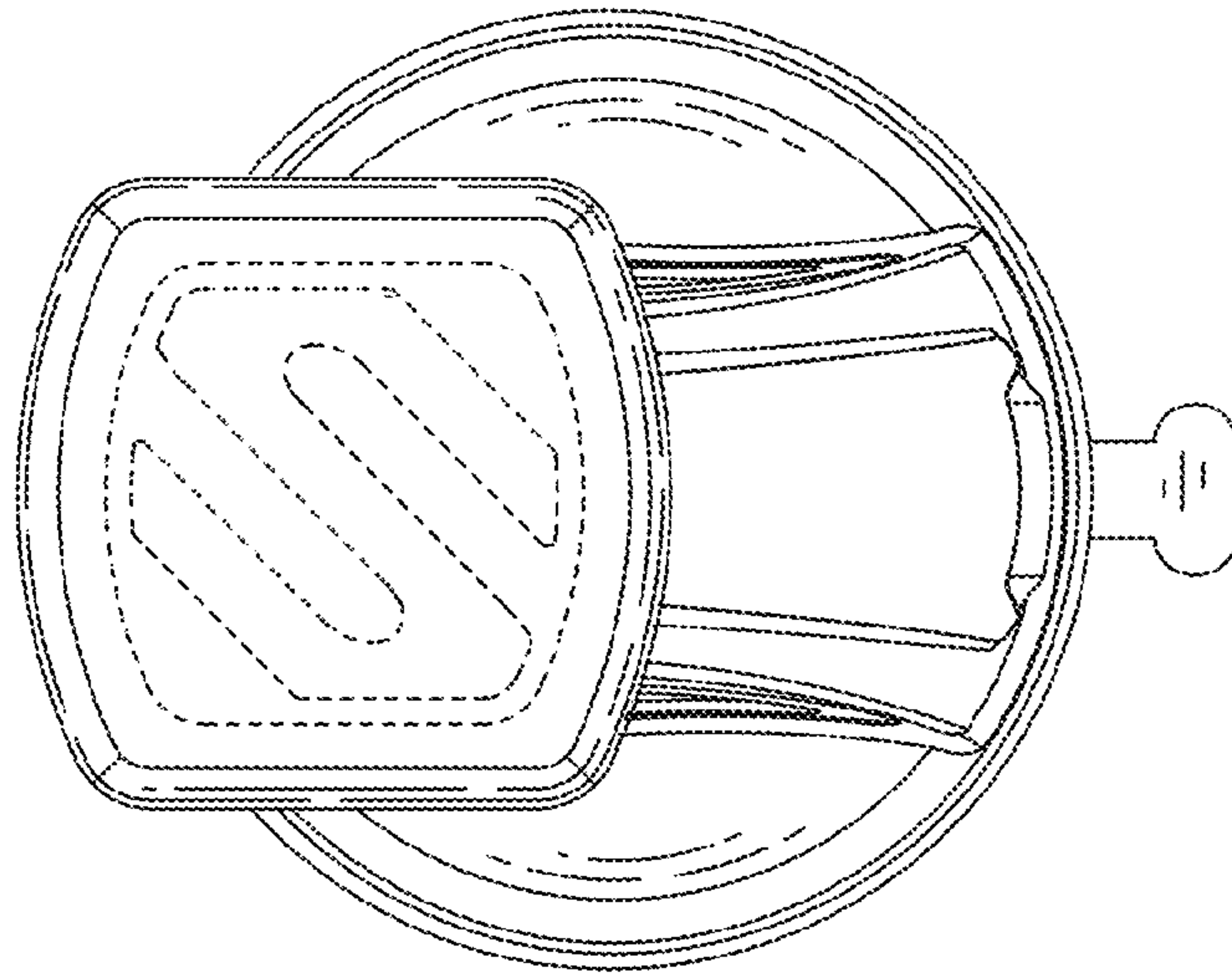


Fig. 5

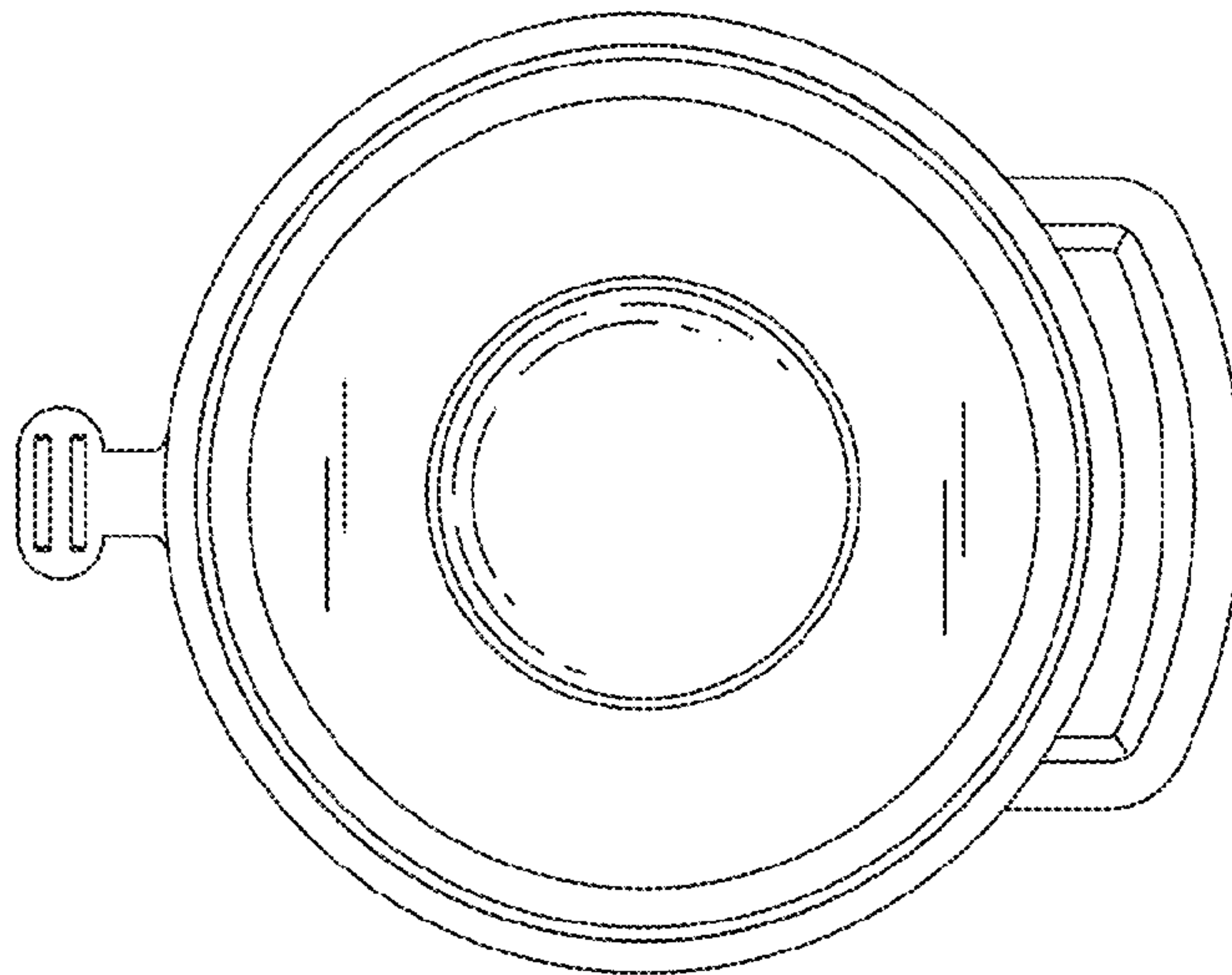


Fig. 6