



US00D715131S

(12) **United States Design Patent**
Song

(10) **Patent No.:** **US D715,131 S**

(45) **Date of Patent:** **** Oct. 14, 2014**

(54) **COUPLER LOCK**

(56) **References Cited**

(71) Applicant: **NingBo JiaHong Tools Co., Ltd.**,
NingBo (CN)

U.S. PATENT DOCUMENTS

(72) Inventor: **HongJun Song**, China (CN)

4,730,841	A *	3/1988	Ponder	280/501
5,332,251	A *	7/1994	Farquhar	280/507
D350,054	S *	8/1994	Richter	D8/331
D417,133	S *	11/1999	Niswanger	D8/331
6,722,686	B2 *	4/2004	Koy	280/507
6,976,695	B1 *	12/2005	Smith, III	280/507
7,469,919	B2 *	12/2008	Kalous et al.	280/507
D615,462	S *	5/2010	Barrette	D12/162
8,020,885	B2 *	9/2011	Cuellar et al.	280/507
8,596,475	B2 *	12/2013	Kobert et al.	213/75 R

(**) Term: **14 Years**

(21) Appl. No.: **29/471,063**

* cited by examiner

(22) Filed: **Oct. 28, 2013**

(30) **Foreign Application Priority Data**

Primary Examiner — Prabhakar Deshmukh
(74) *Attorney, Agent, or Firm* — Michael D. Eisenberg;
Jeanette Meng Nakagawa

Sep. 30, 2013 (CN) 2013 3 0468714

(51) **LOC (10) Cl.** **08-07**

(57) **CLAIM**
The ornamental design for a coupler lock, as shown and described.

(52) **U.S. Cl.**

USPC **D8/333**; D8/331

DESCRIPTION

(58) **Field of Classification Search**

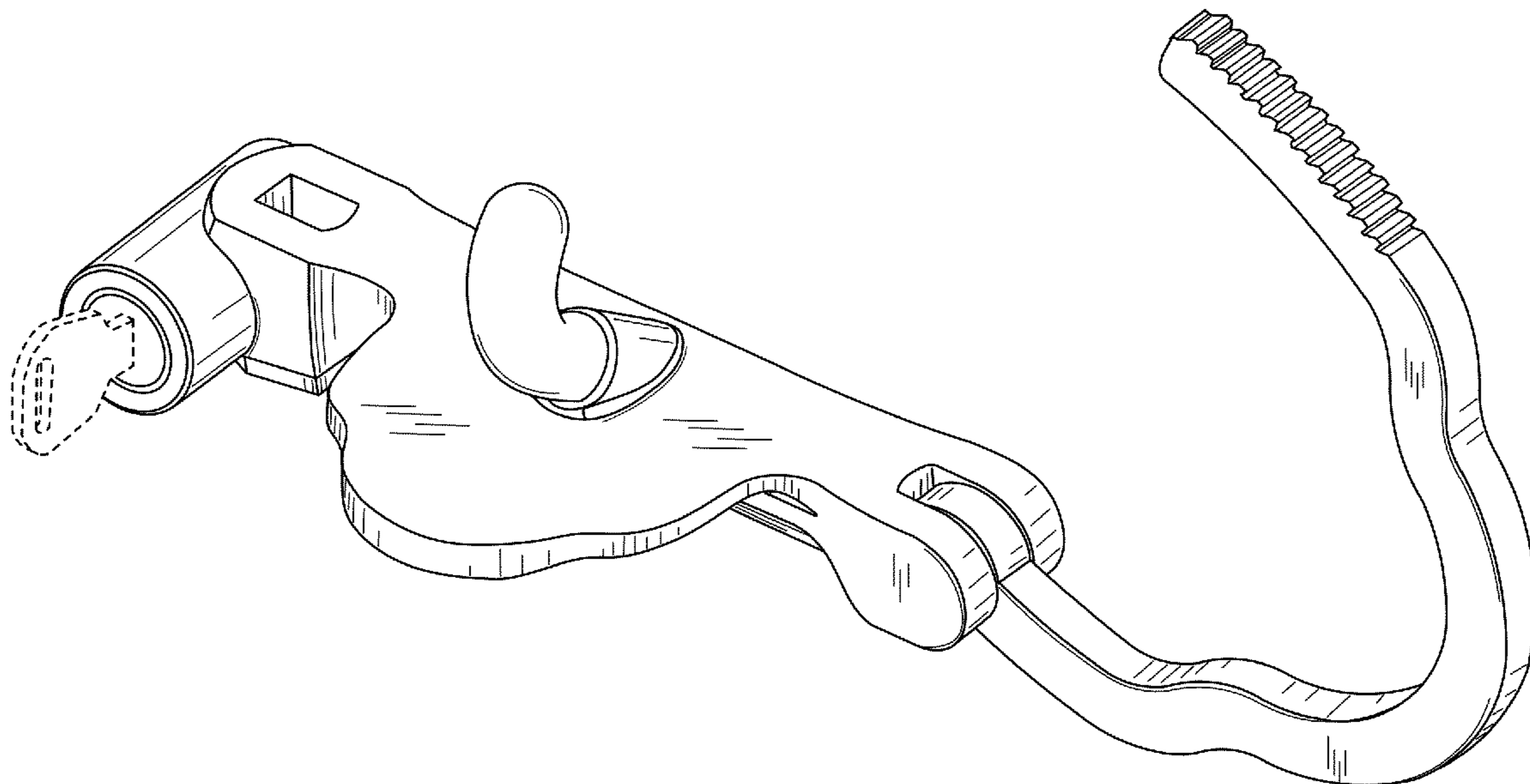
CPC E05B 9/00; E05B 9/02; E05B 9/10;
E05B 47/0011; E05B 47/06

USPC D8/330, 331, 333, 336, 343, 344, 349,
D8/394, 382; 70/1, 19, 141, 465, 466,
70/DIG. 79, DIG. 80; 292/246-250, 256,
292/256.5, 256.6, 257, 262, 309; D12/162,
D12/199

FIG. 1 is a perspective view of a coupler lock showing my new design;
FIG. 2 is a left side elevation thereof;
FIG. 3 is a right side elevation thereof;
FIG. 4 is a front elevation thereof;
FIG. 5 is a rear elevation thereof;
FIG. 6 is a top plan view thereof;
FIG. 7 is a bottom plan view thereof; and,
FIG. 8 is a perspective view thereof, shown in open condition.

See application file for complete search history.

1 Claim, 5 Drawing Sheets



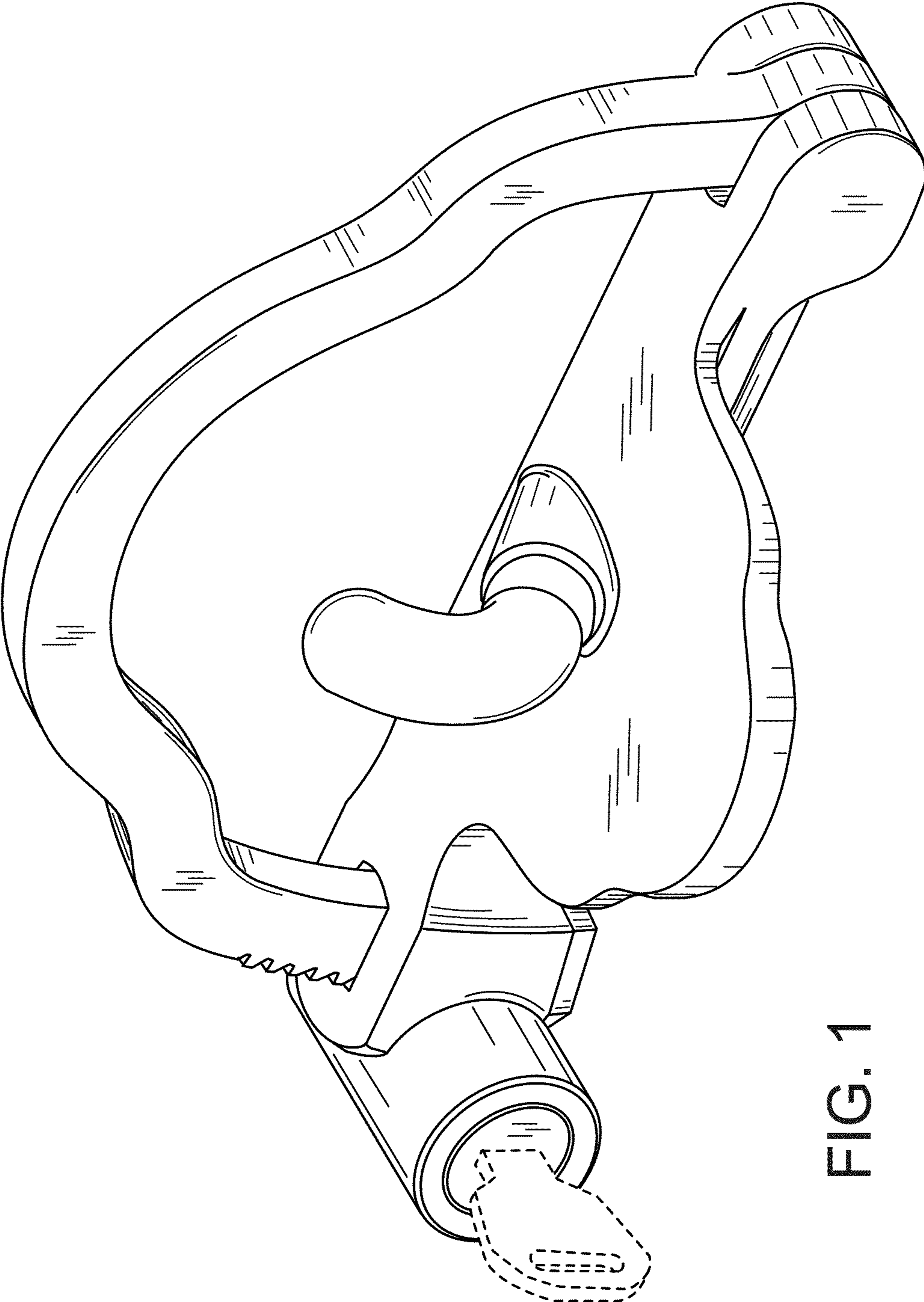


FIG. 1

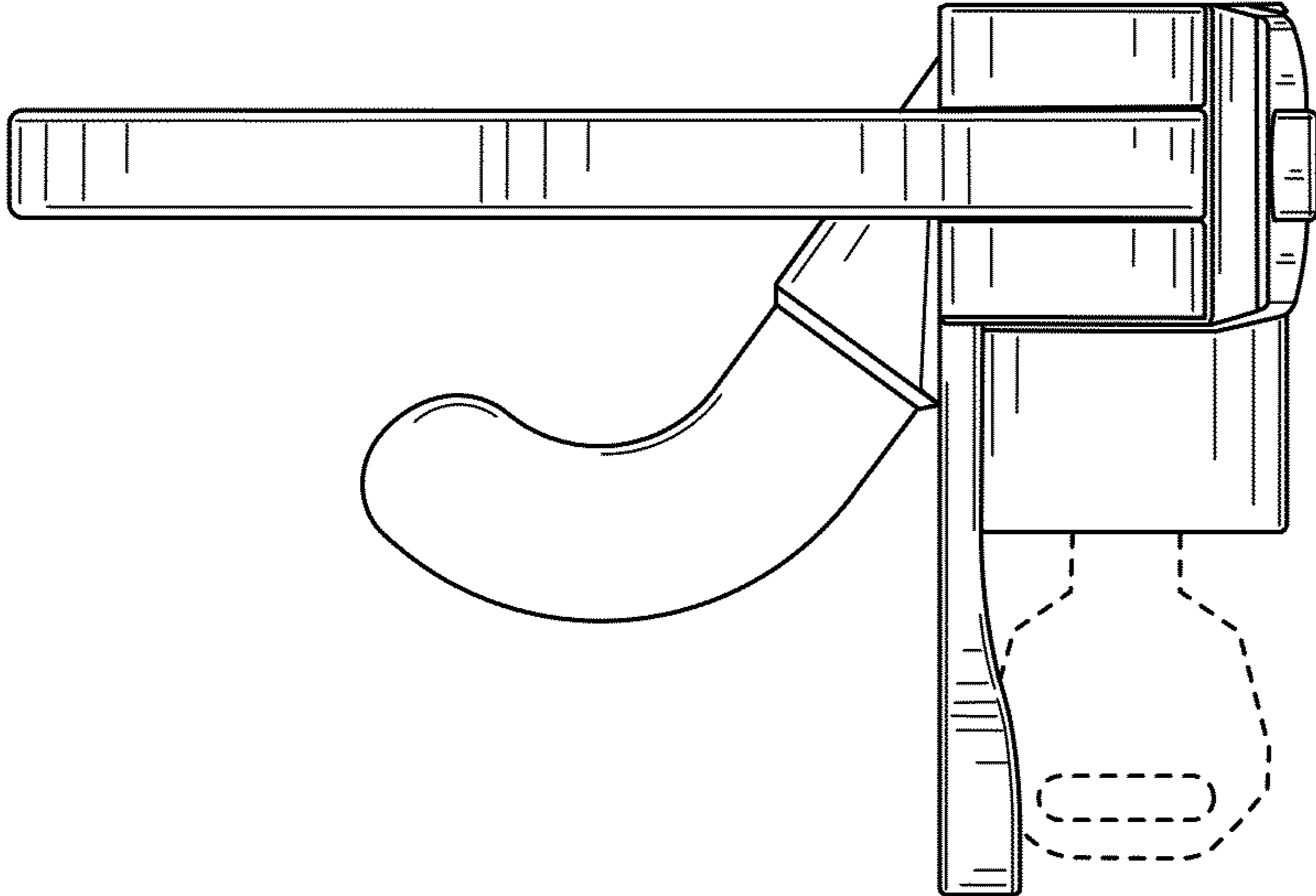


FIG. 2

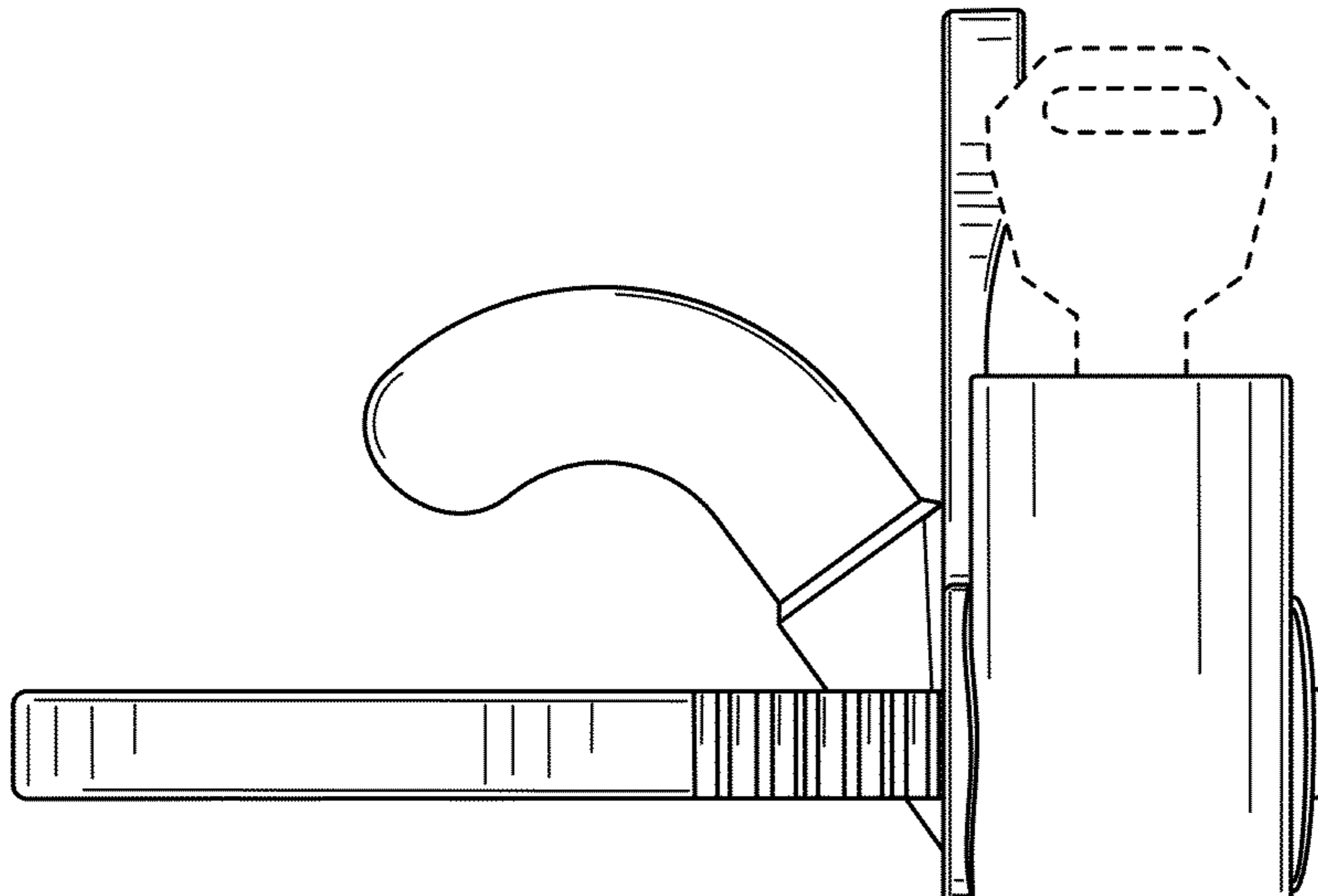


FIG. 3

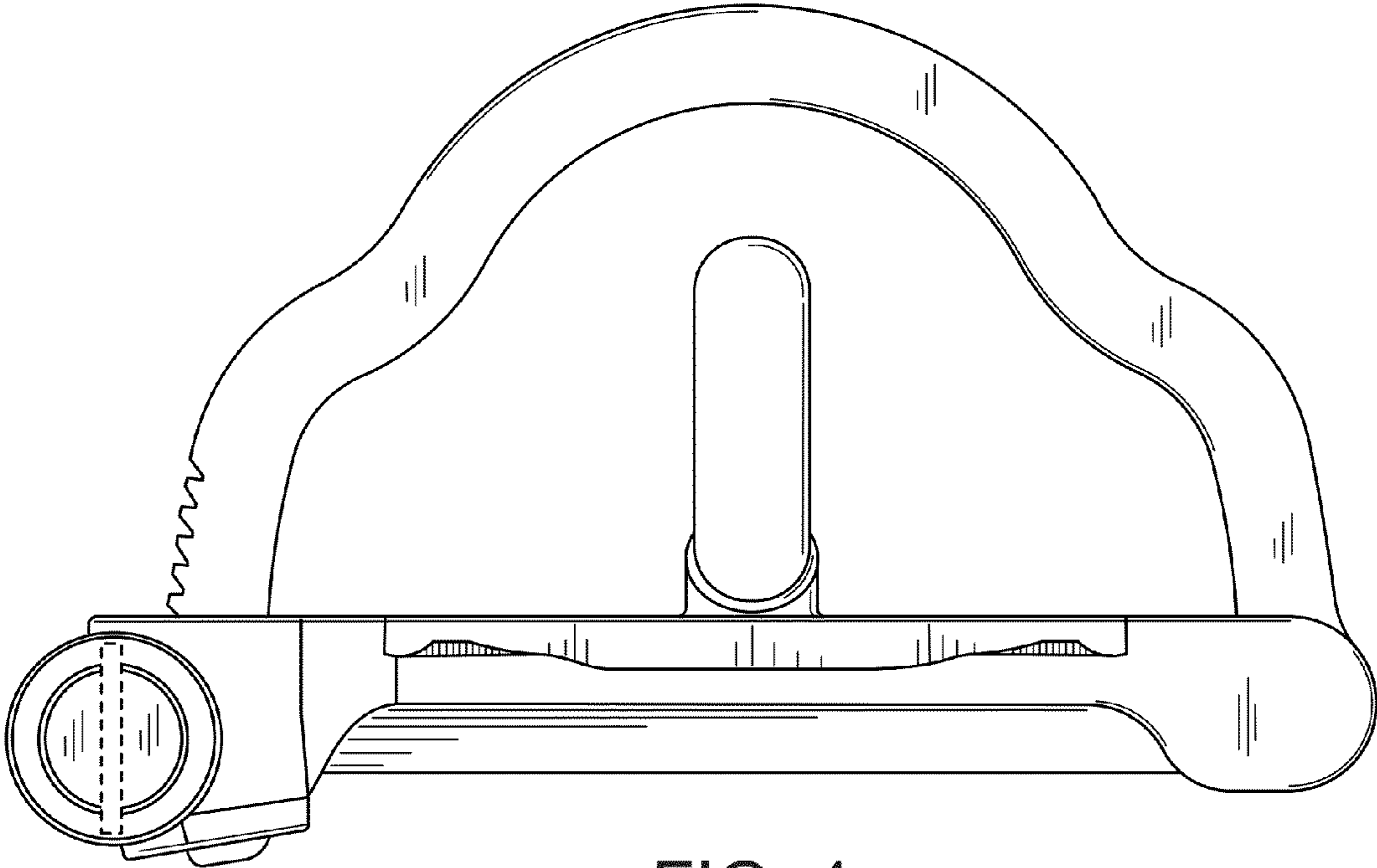


FIG. 4

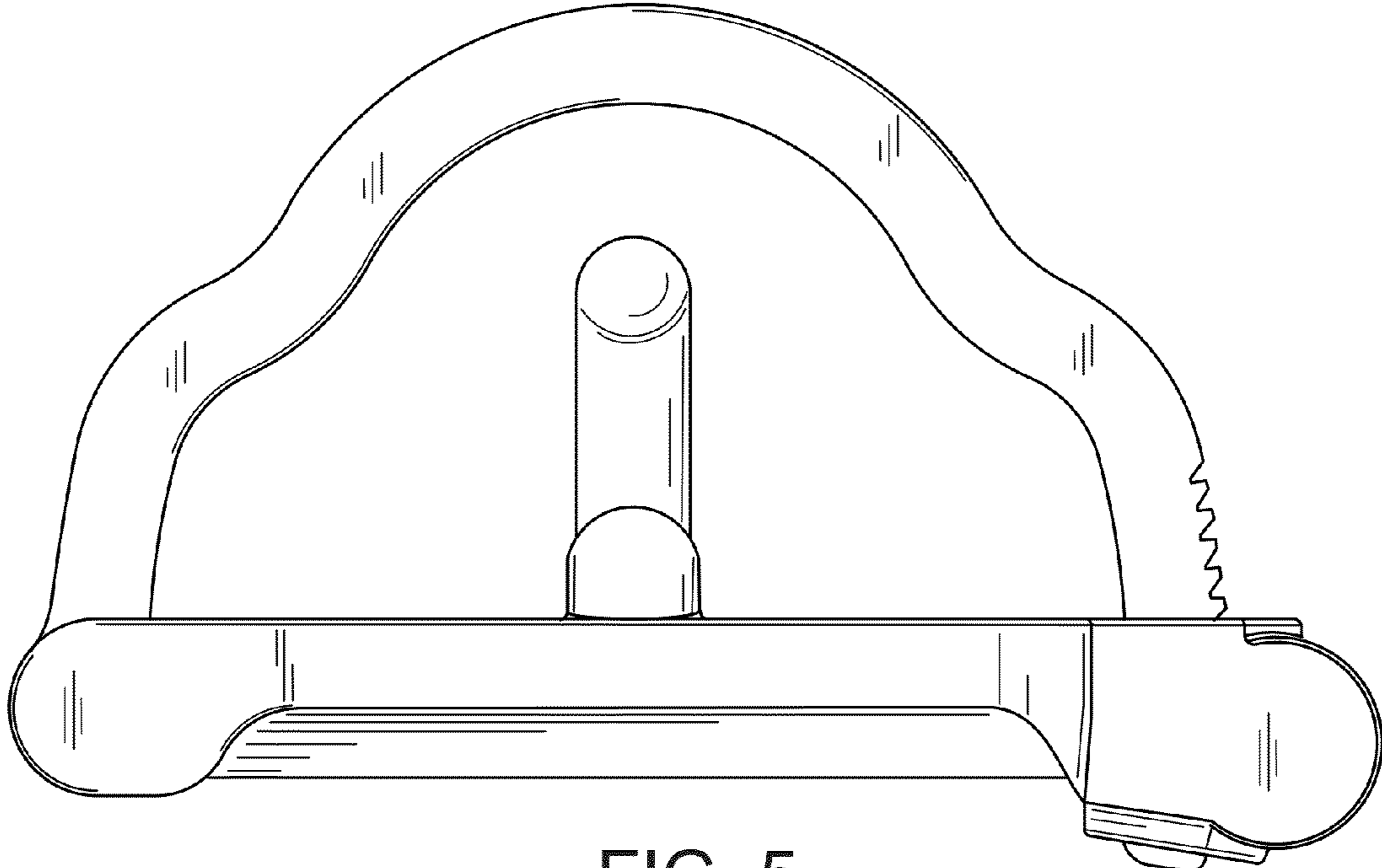


FIG. 5

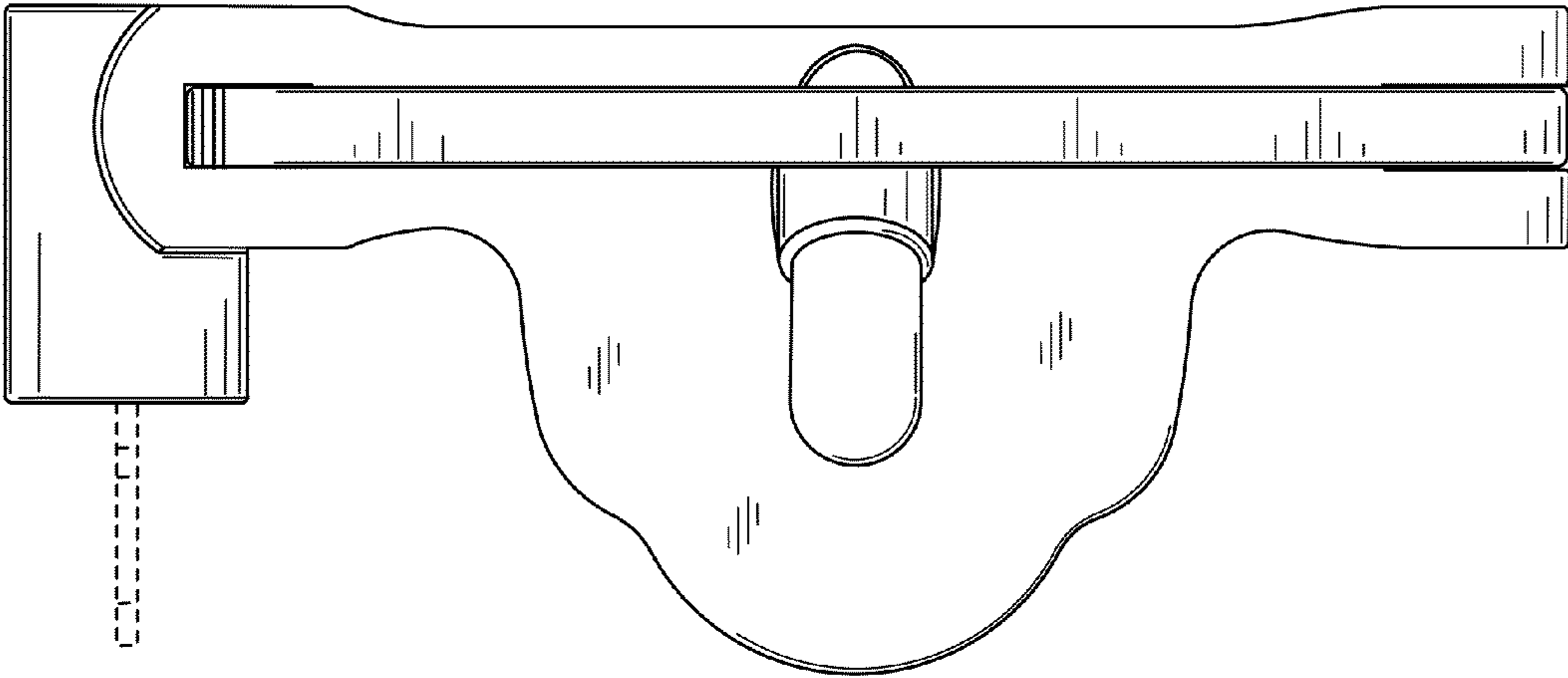


FIG. 6

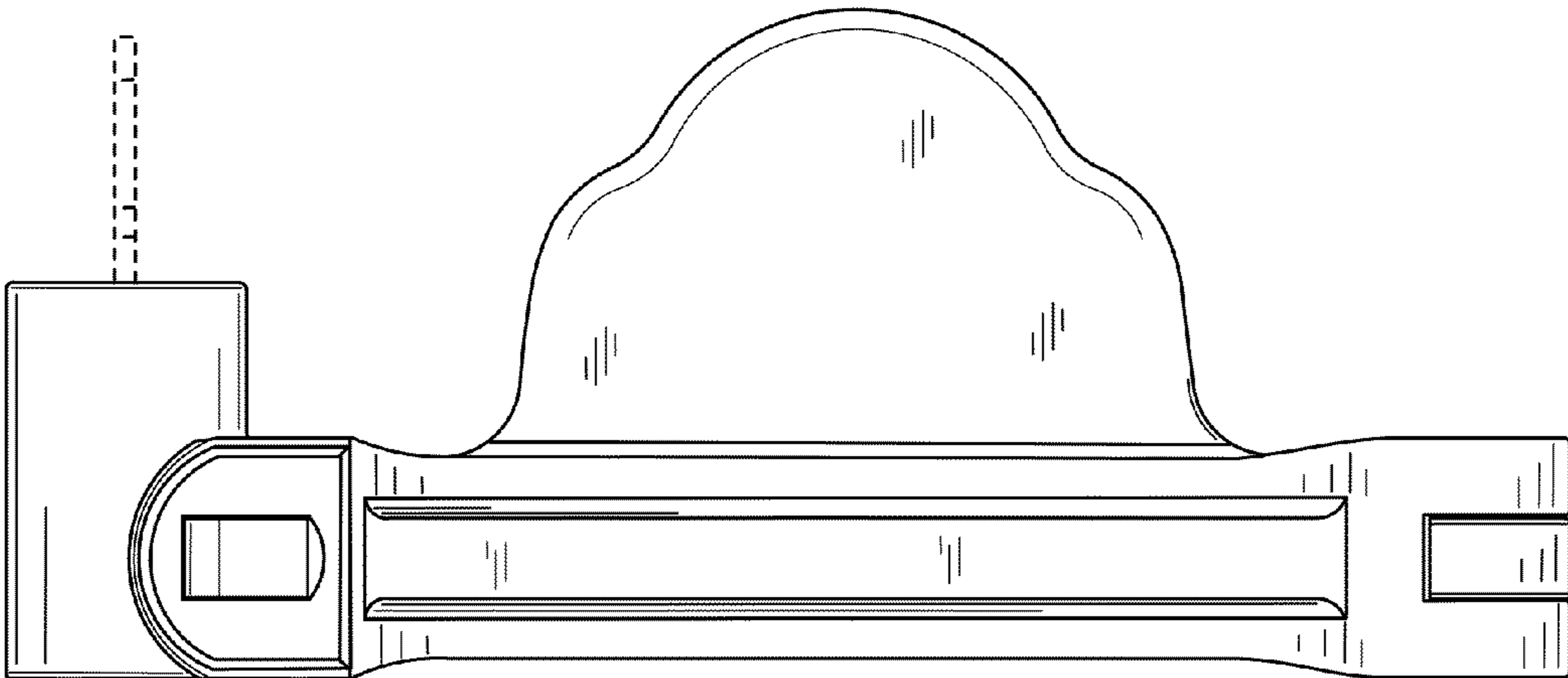


FIG. 7

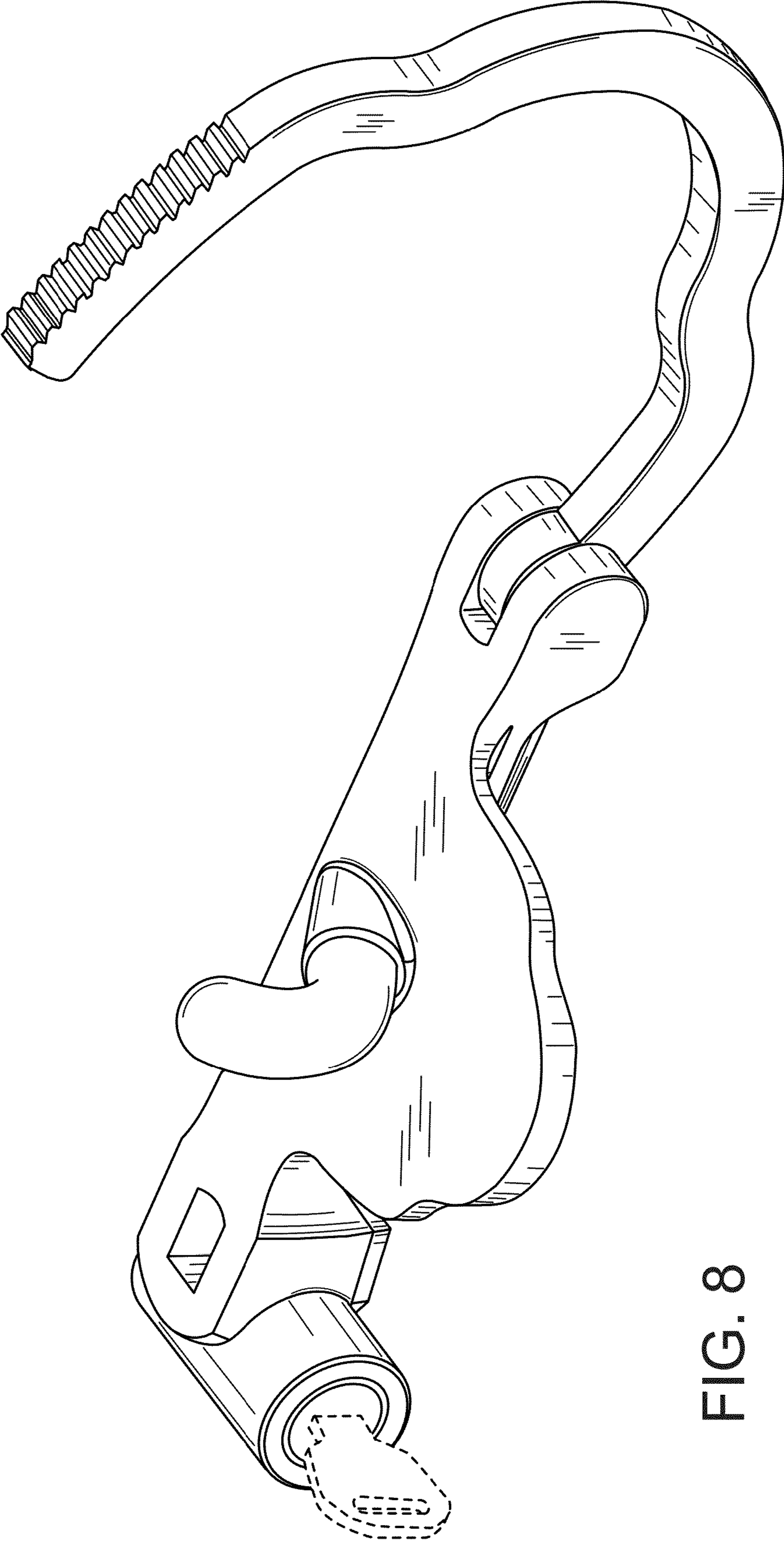


FIG. 8