



US00D715130S

(12) **United States Design Patent**
Sayegh et al.

(10) **Patent No.:** **US D715,130 S**

(45) **Date of Patent:** **** Oct. 14, 2014**

(54) **THEFT DETERRENT DEVICE**

(56) **References Cited**

(71) Applicants: **Adel O. Sayegh**, Rancho Cucamonga, CA (US); **Edgardo M. Redublo**, Rancho Cucamonga, CA (US); **Jimin Xi**, Hangzhou (CN)

U.S. PATENT DOCUMENTS

6,634,683	B1 *	10/2003	Brannan	292/241
6,983,963	B2 *	1/2006	Eslick et al.	292/242
7,000,957	B2 *	2/2006	Lawrence	292/241
D527,613	S *	9/2006	Omangi et al.	D8/331
7,347,068	B2 *	3/2008	Seidel	70/57.1
D579,316	S *	10/2008	Lee	D8/331
D611,798	S *	3/2010	Le	D8/331
D687,288	S *	8/2013	Lawrence	D8/331
8,511,119	B2 *	8/2013	Mazzucchelli	70/57.1
D690,577	S *	10/2013	Eller et al.	D8/331
D693,666	S *	11/2013	Gianoli et al.	D8/330
D701,104	S *	3/2014	Weldon	D8/331

(72) Inventors: **Adel O. Sayegh**, Rancho Cucamonga, CA (US); **Edgardo M. Redublo**, Rancho Cucamonga, CA (US); **Jimin Xi**, Hangzhou (CN)

* cited by examiner

(73) Assignee: **USS Technologies, LLC**, Rancho Cucamonga, CA (US)

Primary Examiner — Prabhakar Deshmukh

(**) Term: **14 Years**

(74) *Attorney, Agent, or Firm* — Milord A. Keshishian

(21) Appl. No.: **29/461,804**

(57) **CLAIM**

(22) Filed: **Jul. 27, 2013**

The ornamental design for a theft deterrent device, as shown and described.

(51) **LOC (10) Cl.** **08-07**

DESCRIPTION

(52) **U.S. Cl.**

USPC **D8/331**

(58) **Field of Classification Search**

CPC E05B 1/00; E05B 1/007; E05B 3/00; E05B 3/003; E05B 5/00; E05B 9/00; E05B 9/02; E05B 7/00; E05B 15/00; E05B 17/00; E05B 15/02; E05B 15/022

USPC D8/330, 331, 336, 339, 343, 349, 302, D8/354, 499; 70/14, 19, 51, 57, 57.1, 102, 70/107, 141, 142, 262, 266, 321, 320, 322, 70/431, 465, DIG. 80; 292/32, 63, 92, 137, 292/289, 290, 292, 358, 359, DIG. 29, 292/DIG. 68, 67, 202, 235, 153, 238; 16/86.1, 86.2

FIG. 1 is a top and left side perspective view of a theft deterrent device showing our new design' shown in an engaged position;

FIG. 2 is a left side elevational view thereof;

FIG. 3 is a right side elevational view thereof;

FIG. 4 is a top plan view thereof;

FIG. 5 is a bottom plan view thereof;

FIG. 6 is a front elevational view thereof;

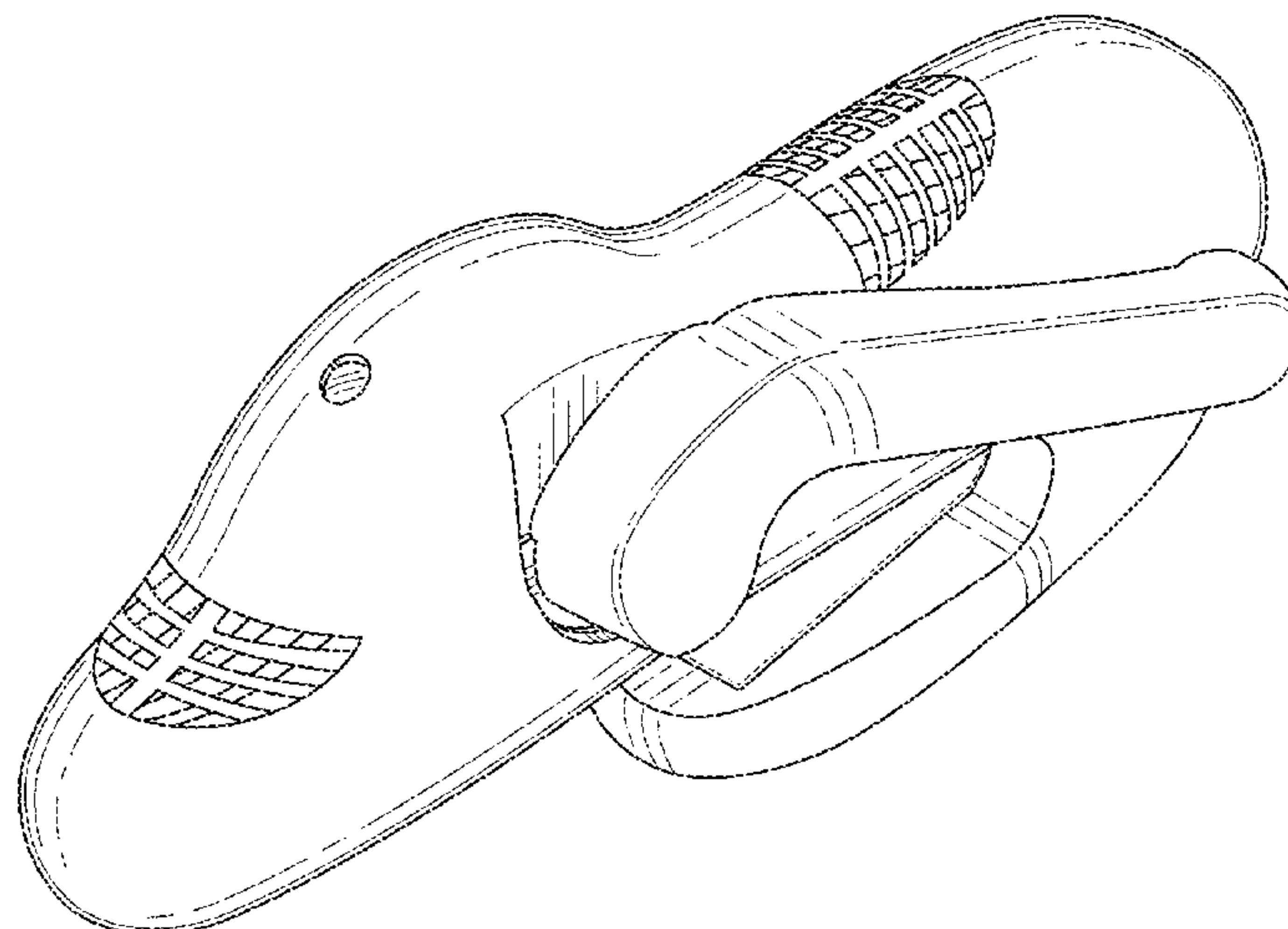
FIG. 7 is a rear elevational view thereof; and,

FIG. 8 is a perspective view thereof, shown in an unengaged position.

The broken lines indicate unclaimed portion and form no part of the claimed design.

See application file for complete search history.

1 Claim, 7 Drawing Sheets



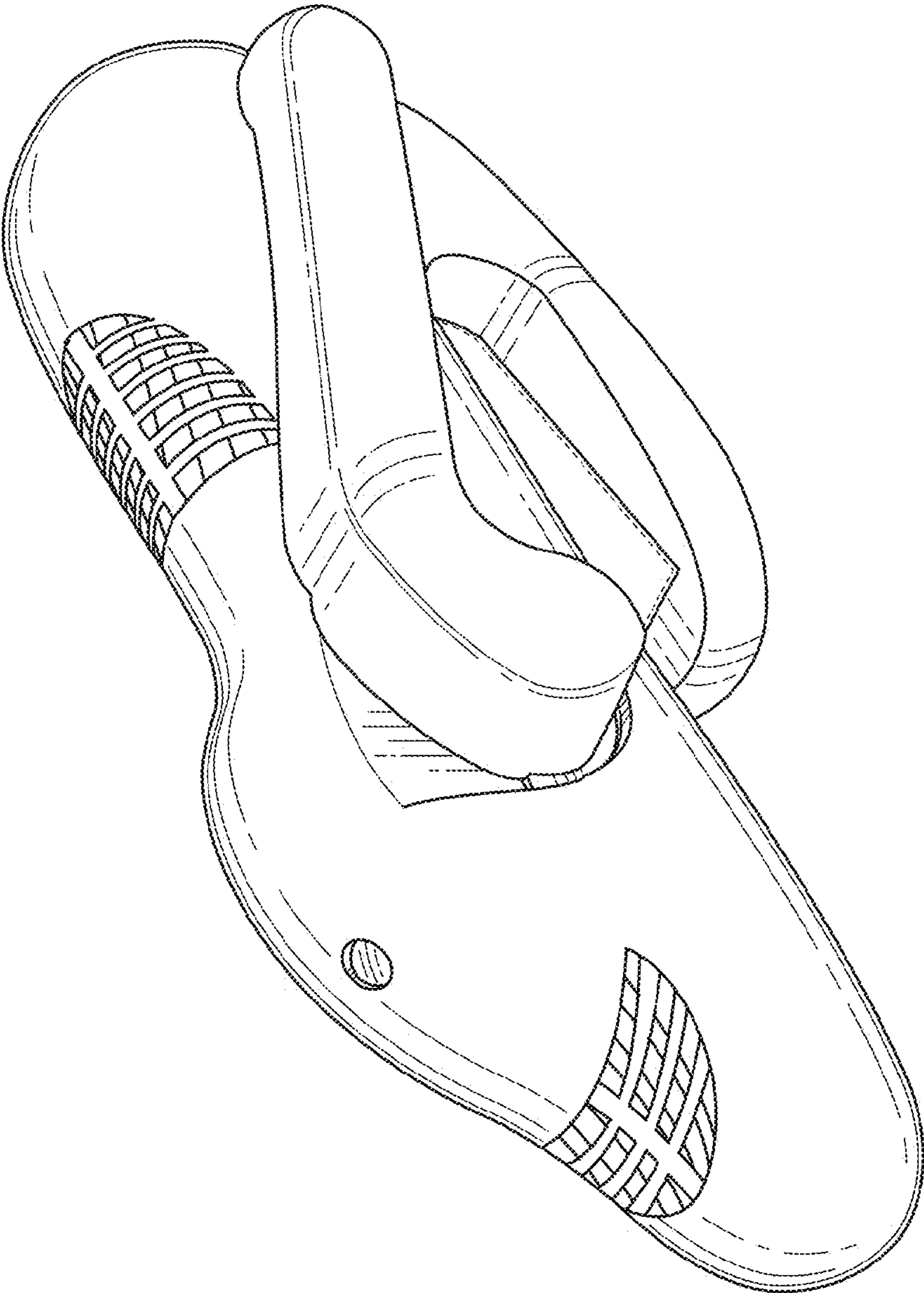


FIG. 1

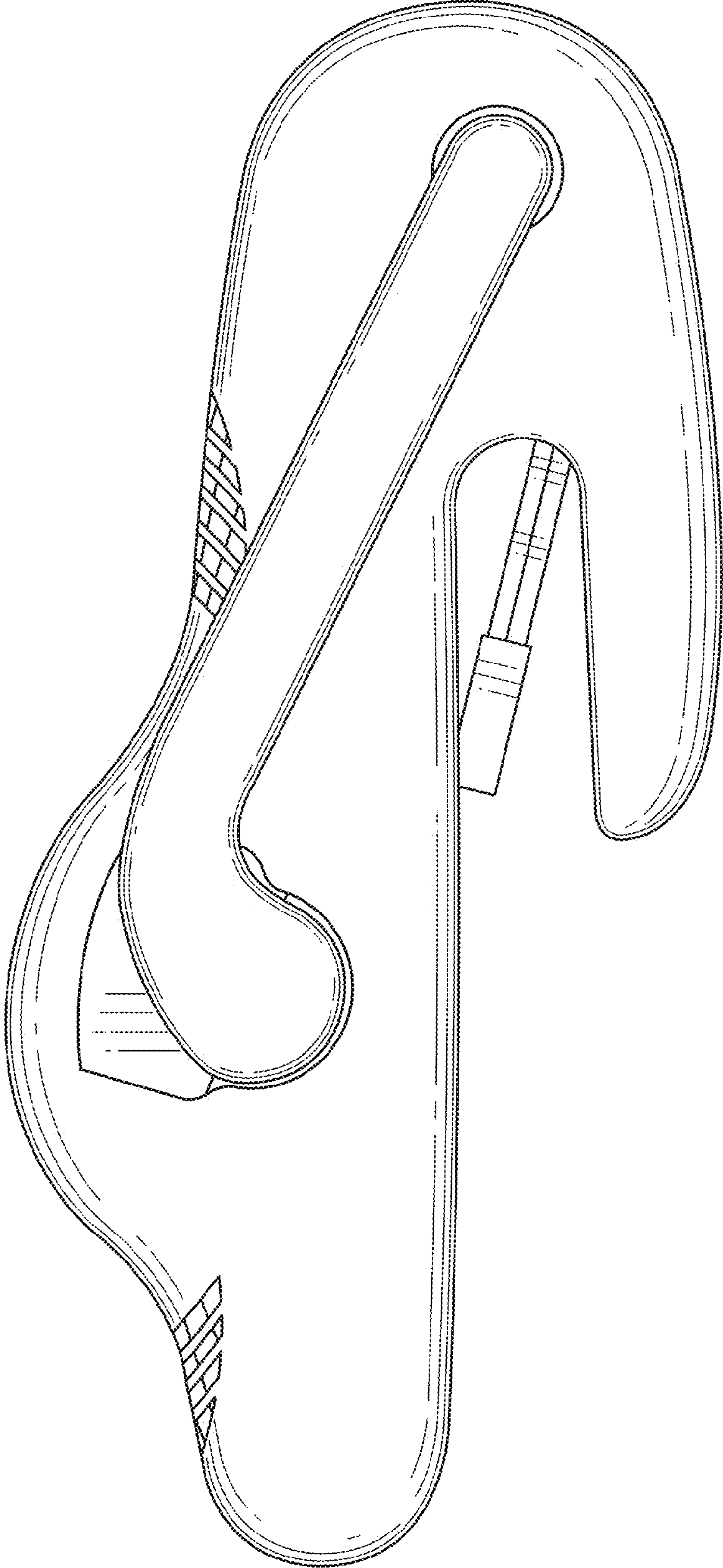


FIG. 2

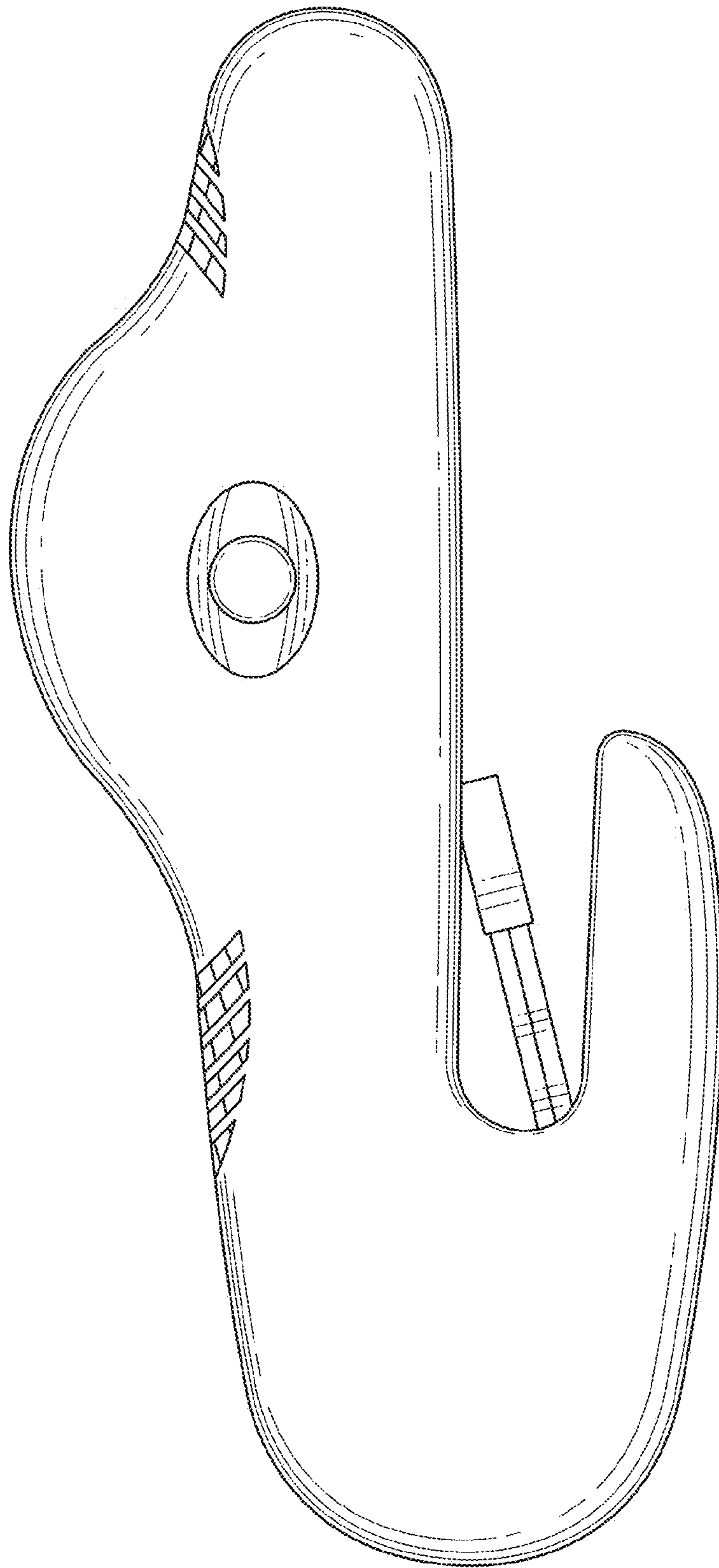


FIG. 3

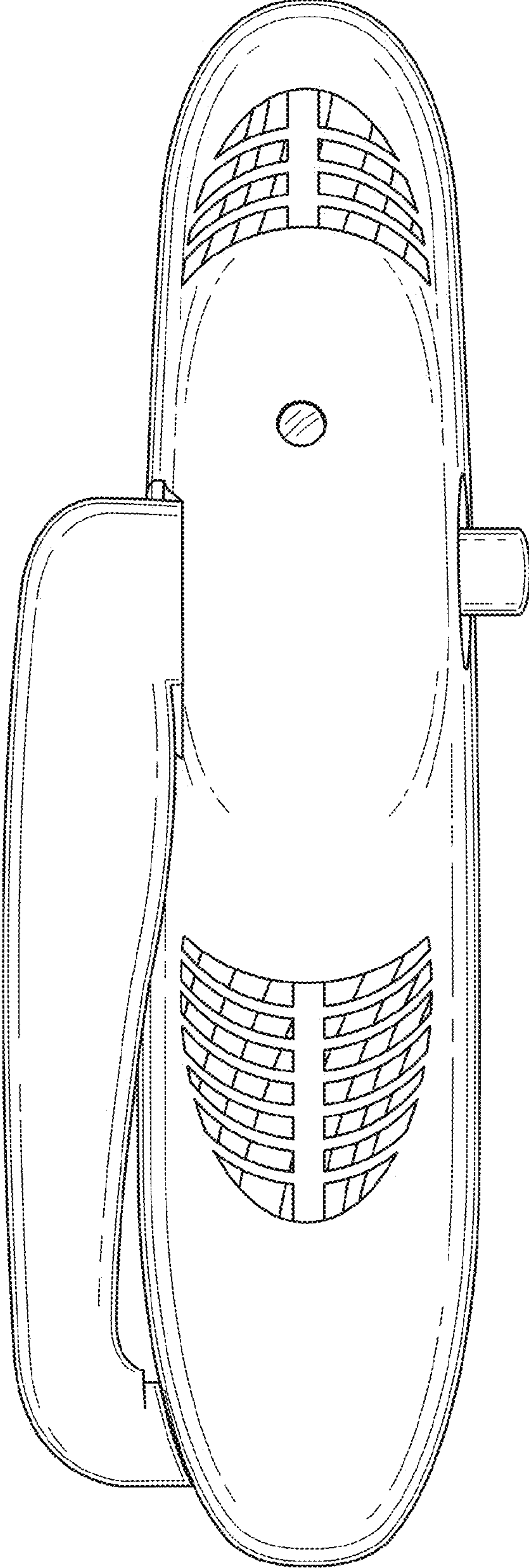


FIG. 4

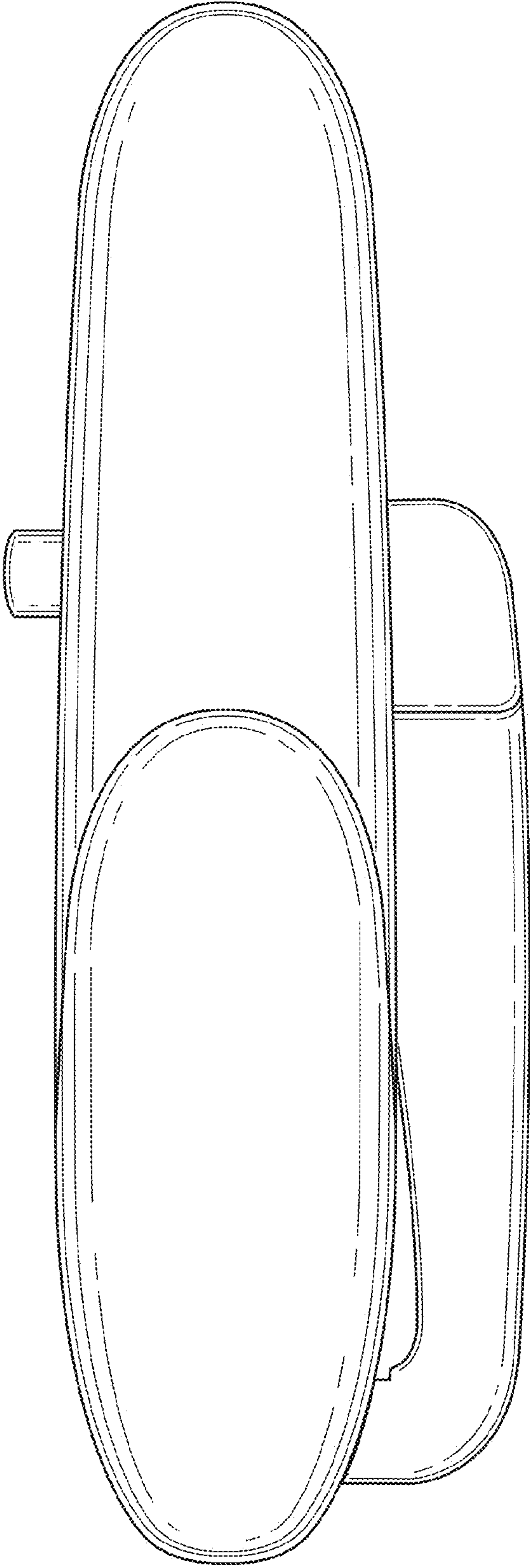


FIG. 5

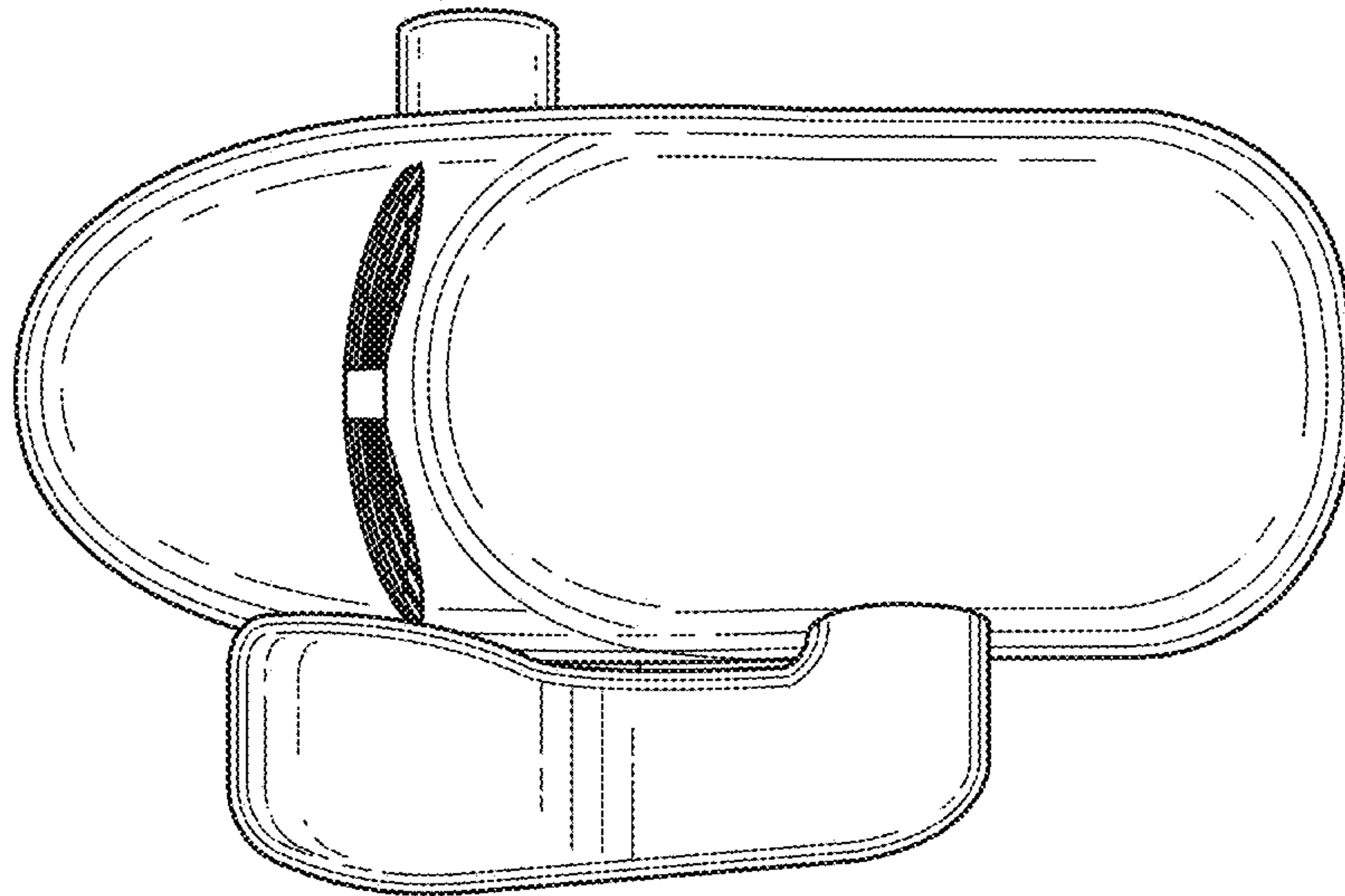


FIG. 7

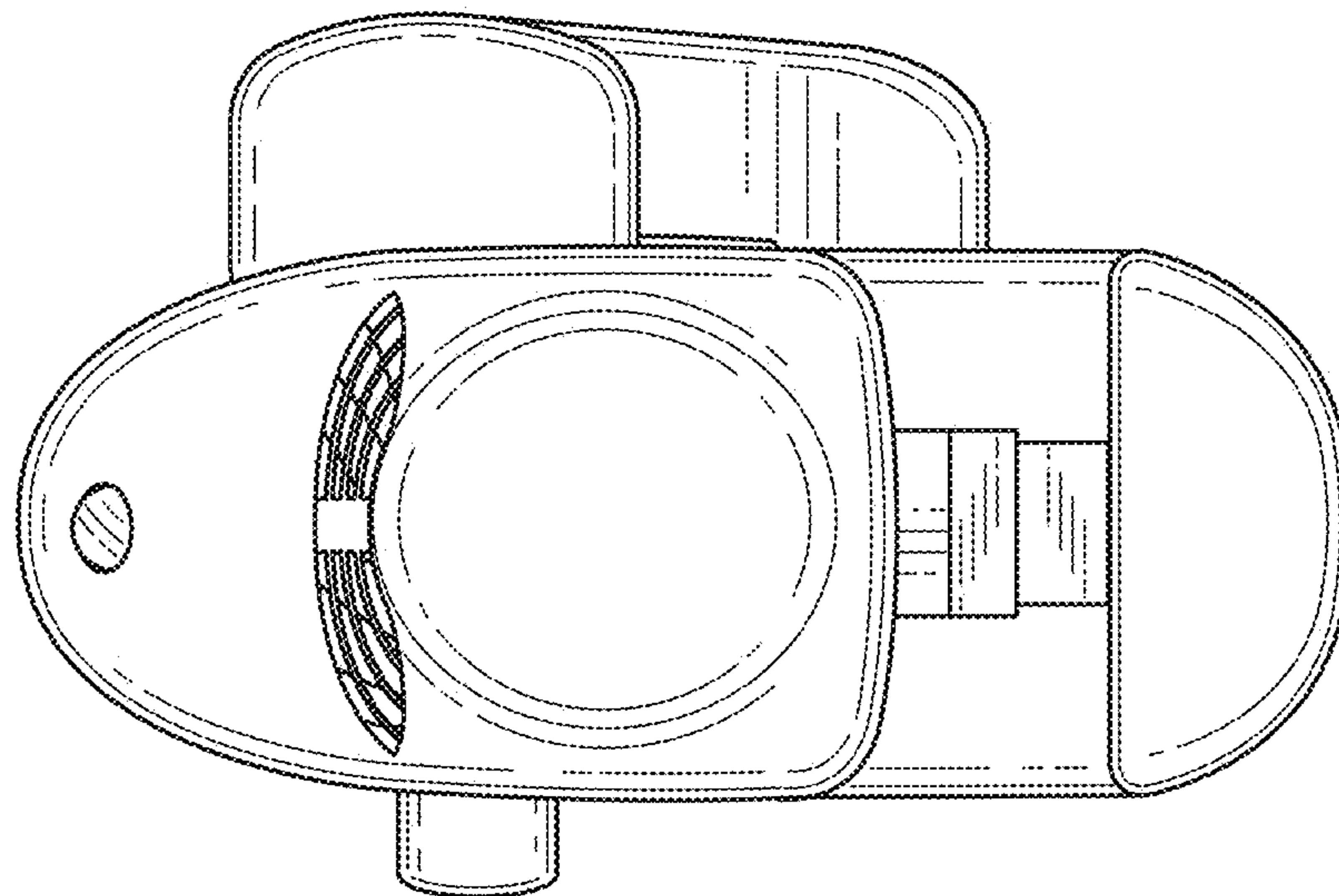


FIG. 6

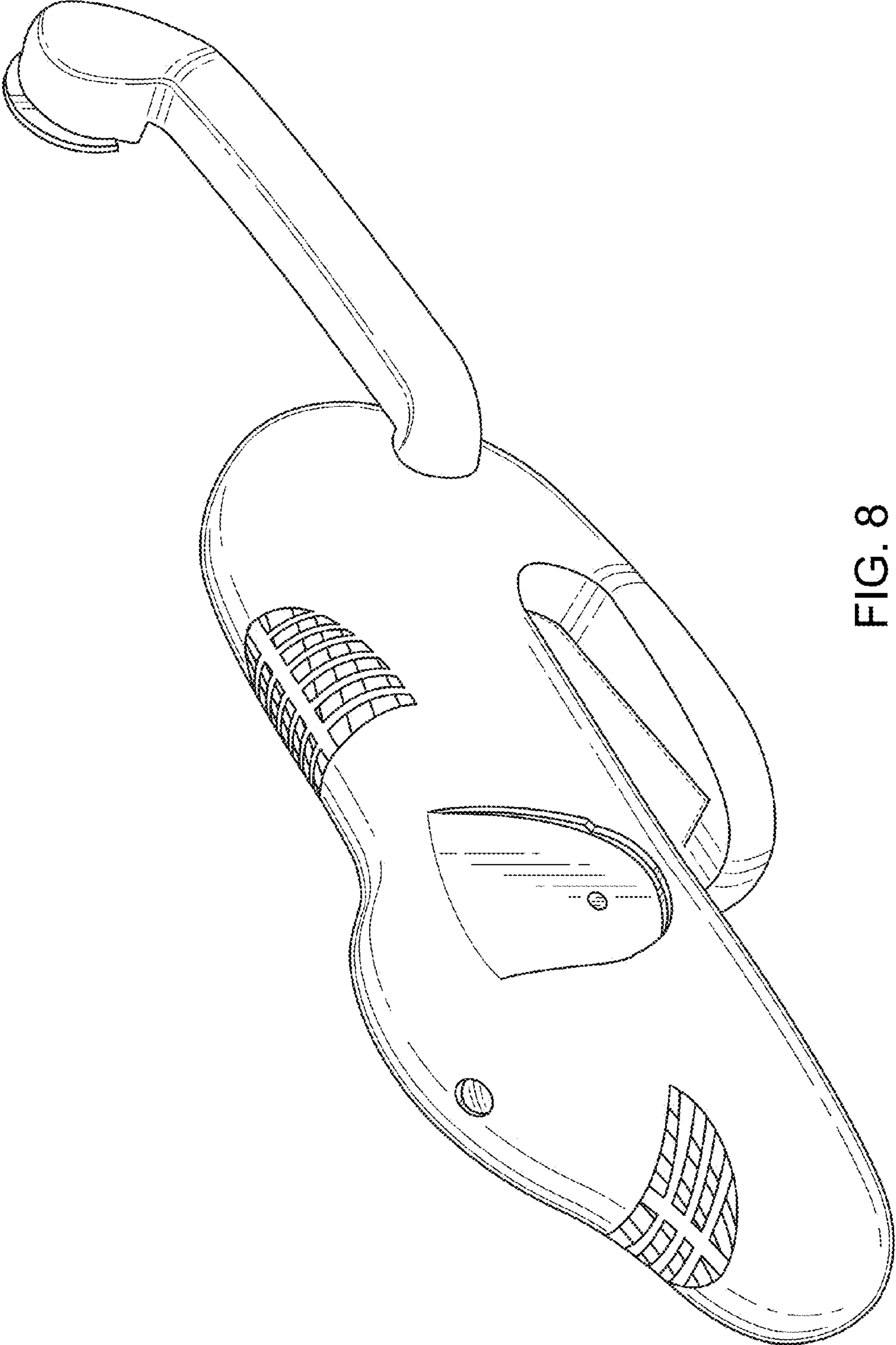


FIG. 8