



US00D715129S

(12) **United States Design Patent**  
**Quinn et al.**

(10) **Patent No.:** **US D715,129 S**

(45) **Date of Patent:** **\*\* Oct. 14, 2014**

(54) **SPRING HOUSING FOR A DOOR CLOSING DEVICE**

(71) Applicant: **Hampton Products International Corporation**, Foothill Ranch, CA (US)

(72) Inventors: **Jason L. Quinn**, Spooner, WI (US);  
**Michael J. Gianoli**, Rice Lake, WI (US);  
**Robert L. Gast**, Irvine, CA (US); **Kari Jo Hoffman**, Rice Lake, WI (US)

(73) Assignee: **Hampton Products International Corporation**, Foothill Ranch, CA (US)

(\*\*) Term: **14 Years**

(21) Appl. No.: **29/466,261**

(22) Filed: **Sep. 5, 2013**

(51) **LOC (10) Cl.** ..... **08-07**

(52) **U.S. Cl.**  
USPC ..... **D8/330**

(58) **Field of Classification Search**  
CPC ..... E05F 1/00; E05F 1/08; E05F 3/02;  
E05F 3/18  
USPC ..... D8/330, 343; 16/49-51, 59, 62, 71, 82,  
16/DIG. 7, 79; 292/201, 144, 92, 339,  
292/DIG. 19  
See application file for complete search history.

(56) **References Cited**

**U.S. PATENT DOCUMENTS**

D120,752 S \* 5/1940 Gallinger ..... D8/330  
2,596,676 A \* 5/1952 Goderez ..... 16/52

2,855,623 A \* 10/1958 Schlage ..... 16/59  
2,994,906 A \* 8/1961 Check ..... 16/51  
D208,250 S \* 8/1967 Stein et al. .... D8/330  
3,877,108 A \* 4/1975 Del Fiacco ..... 16/49  
4,086,681 A \* 5/1978 Nakanishi ..... 16/49  
D271,845 S \* 12/1983 Matsuo et al. .... D8/330  
D281,762 S \* 12/1985 Okazaki ..... D8/330  
D291,771 S \* 9/1987 Vandergeest ..... D8/330  
D295,254 S \* 4/1988 Matsuo et al. .... D8/330  
D295,367 S \* 4/1988 Ishizuka et al. .... D8/330  
8,393,054 B2 \* 3/2013 Bienek ..... 16/71

\* cited by examiner

*Primary Examiner* — Prabhakar Deshmukh

(74) *Attorney, Agent, or Firm* — Klein, O'Neill & Singh, LLP

(57) **CLAIM**

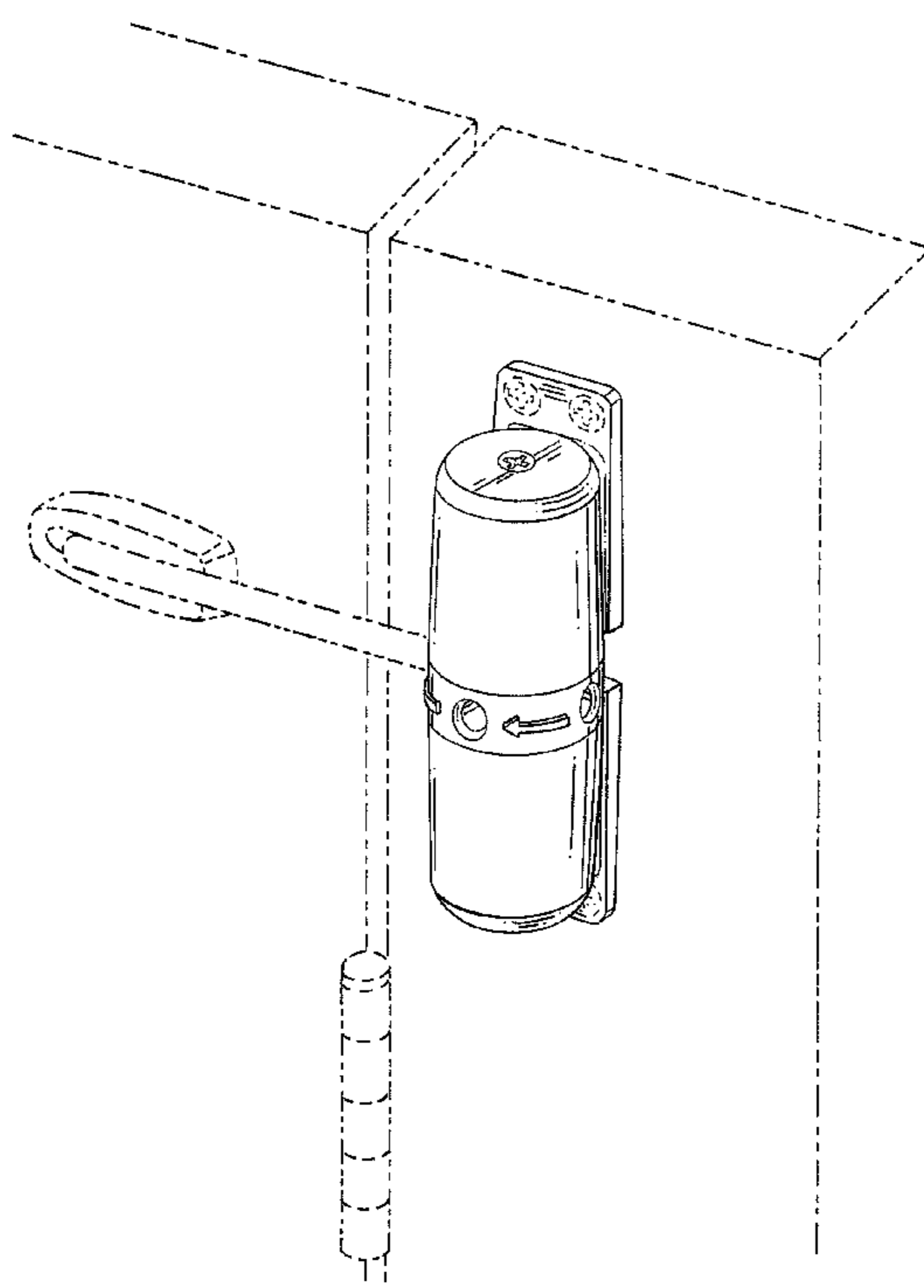
The ornamental design for a spring housing for a door closing device, as shown and described.

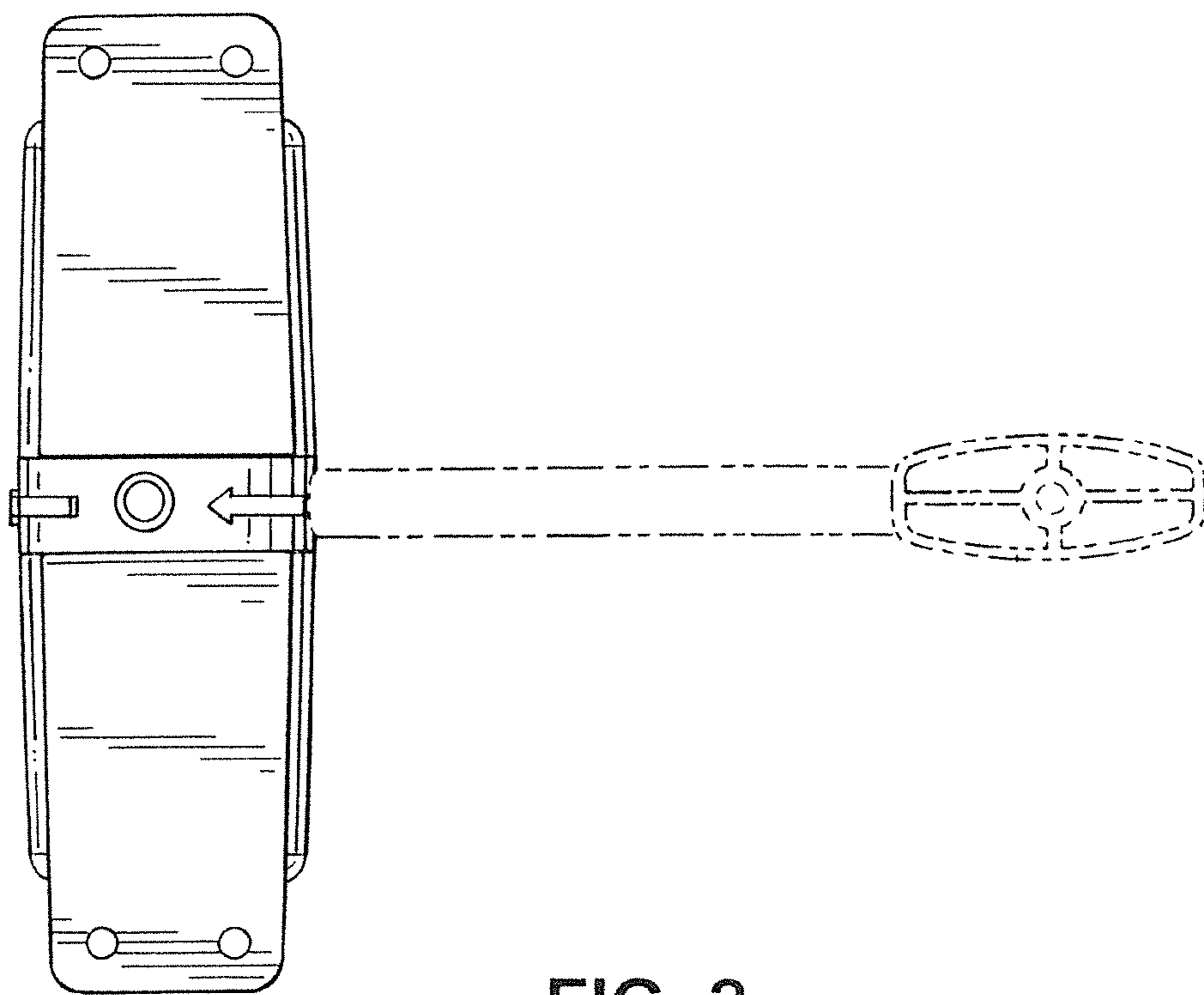
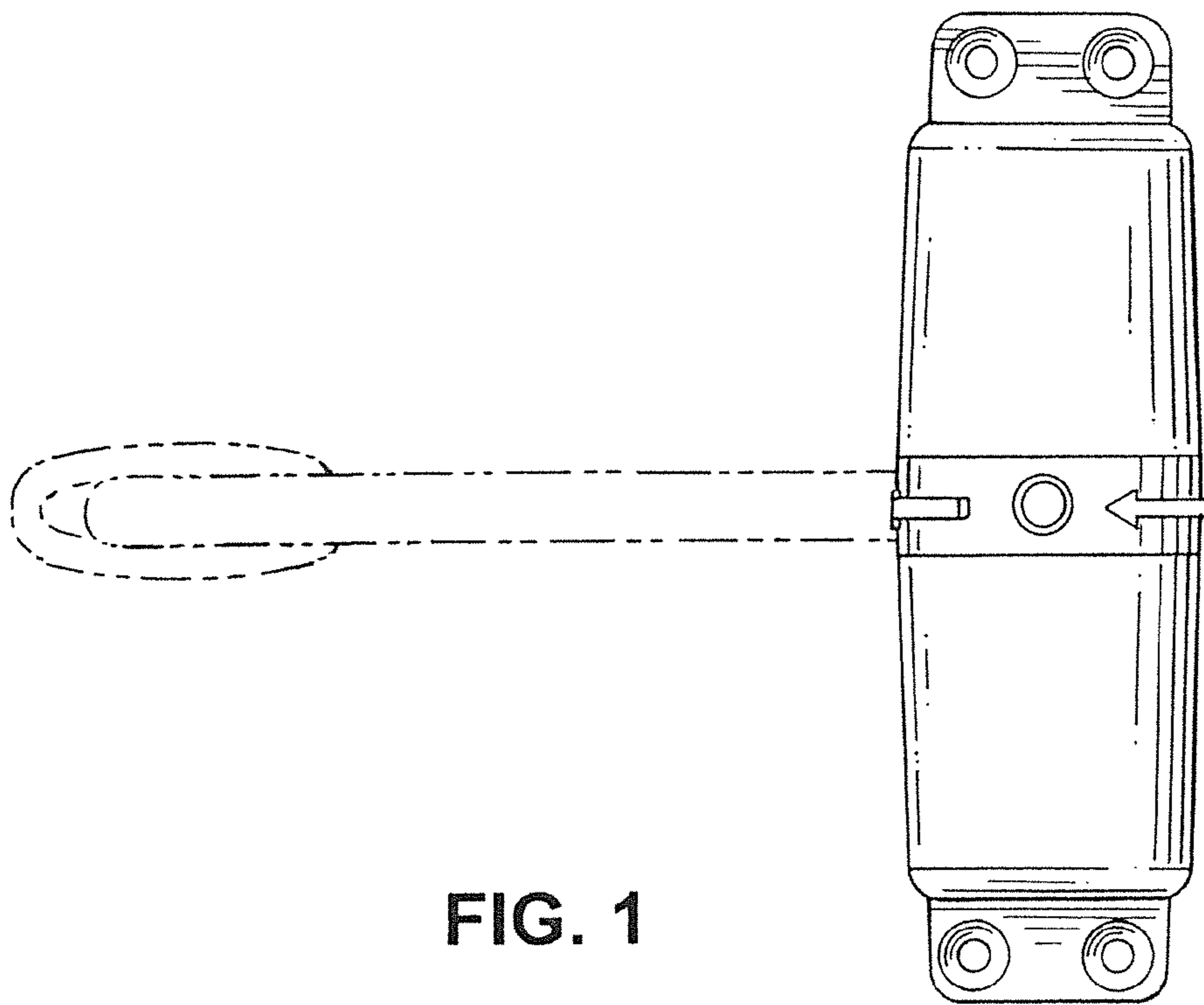
**DESCRIPTION**

FIG. 1 is a front elevation of spring housing for a door closing device showing our new design;  
FIG. 2 is a rear elevation thereof;  
FIG. 3 is a top plan view thereof;  
FIG. 4 is a bottom plan view thereof;  
FIG. 5 is a left side elevation thereof;  
FIG. 6 is a right side elevation thereof; and,  
FIG. 7 is a perspective view thereof, shown in environmental use.

The broken lines environment is for illustrative purpose and forms no part of the claimed design.

**1 Claim, 4 Drawing Sheets**





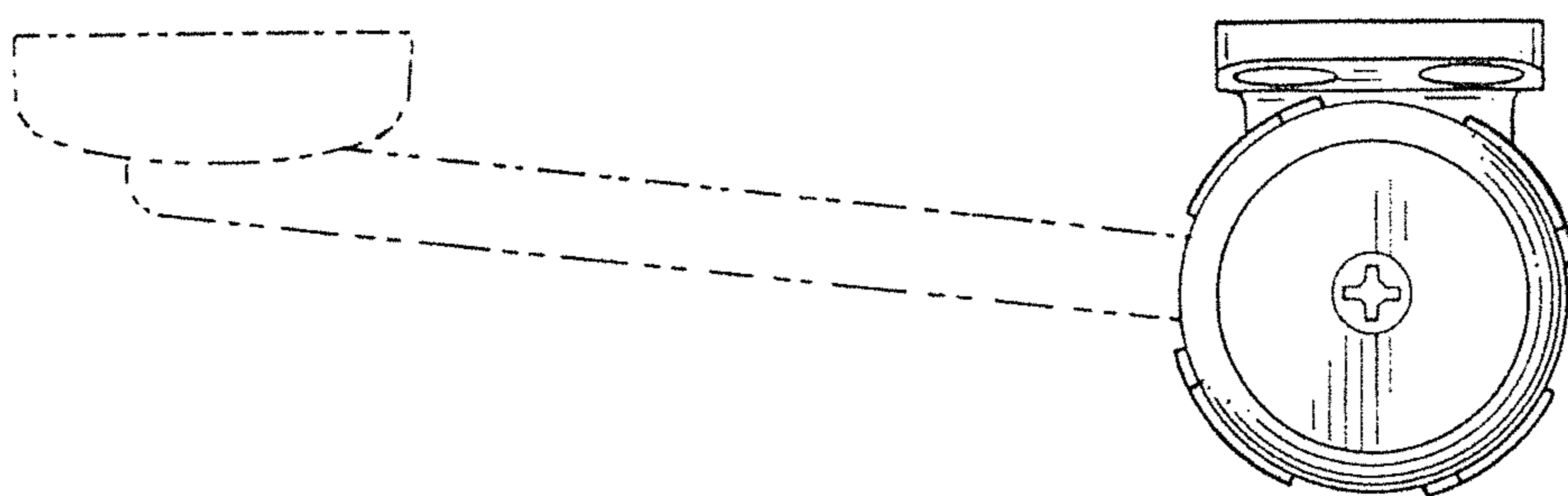


FIG. 3

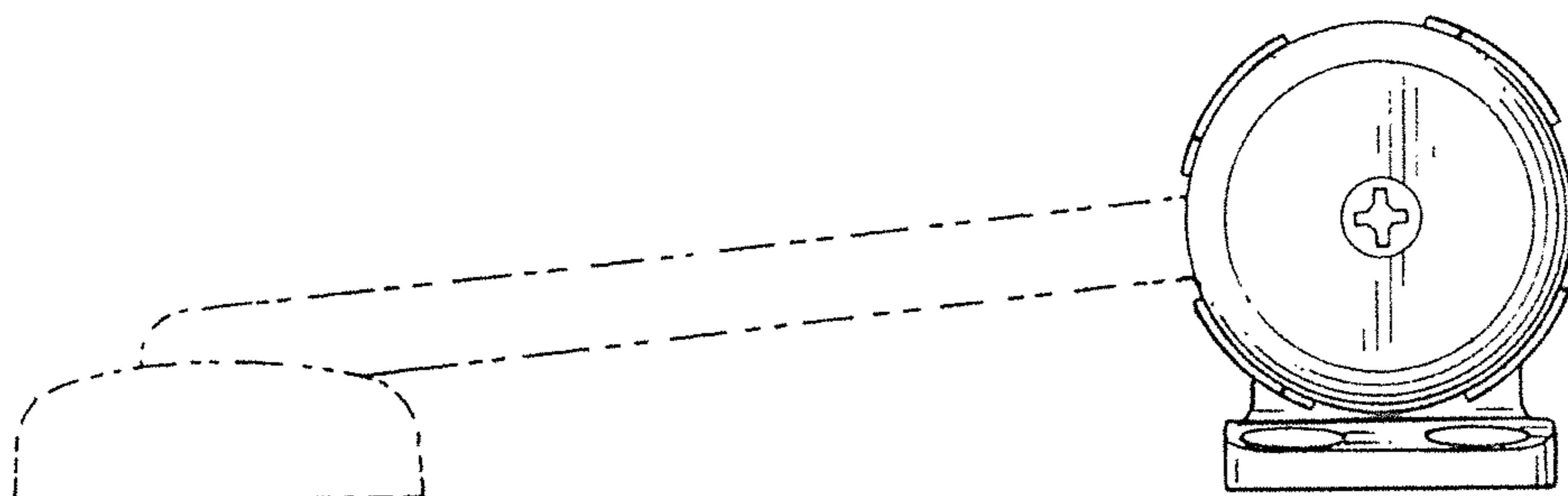


FIG. 4

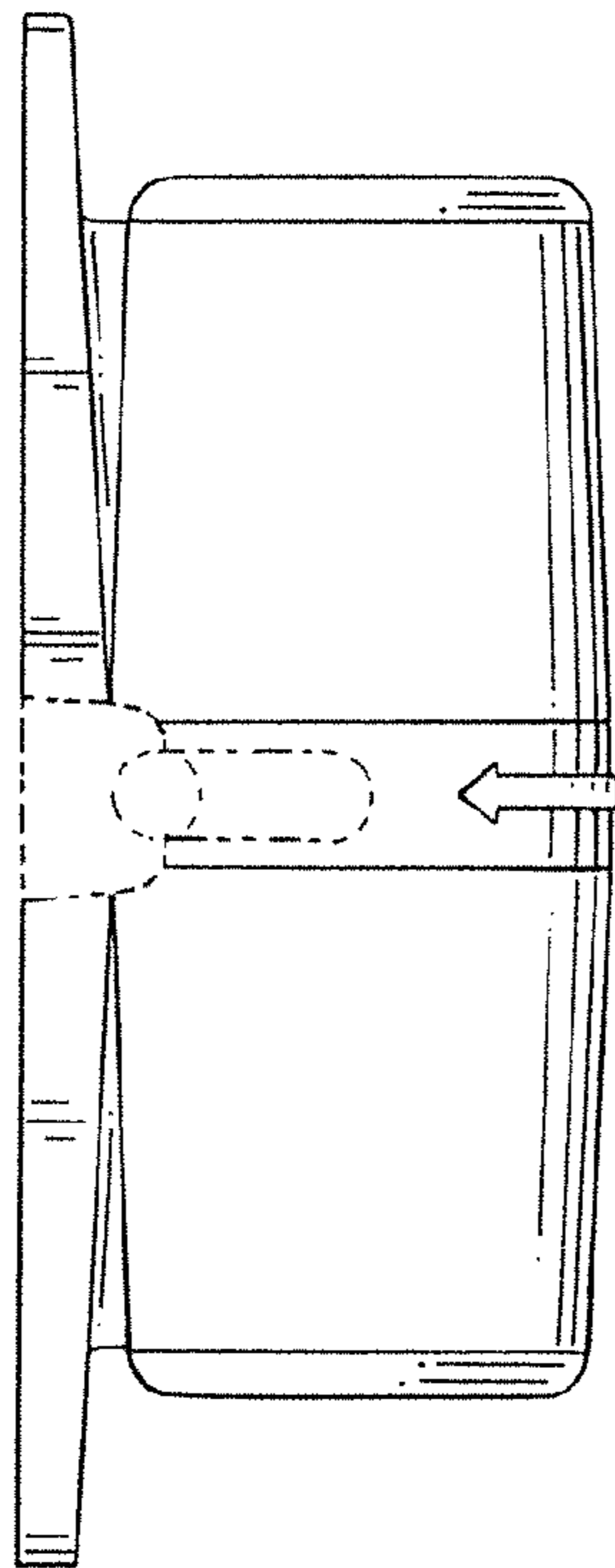


FIG. 5

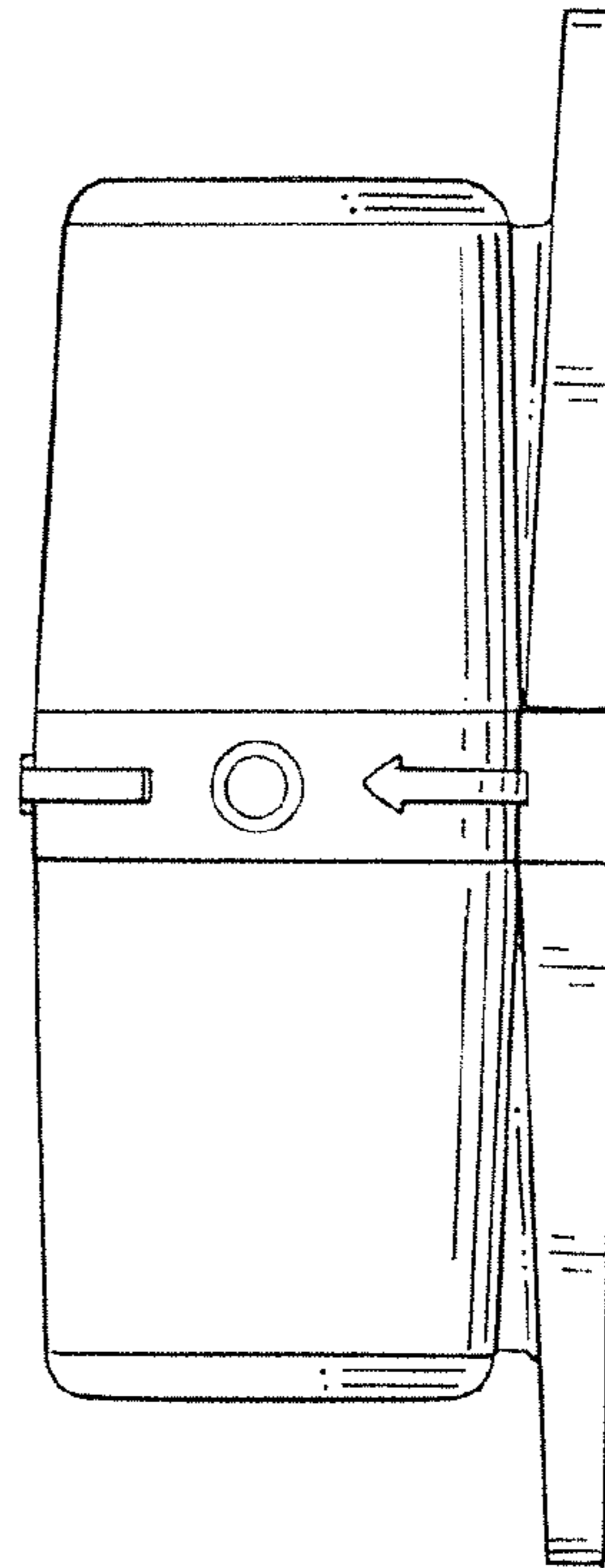


FIG. 6

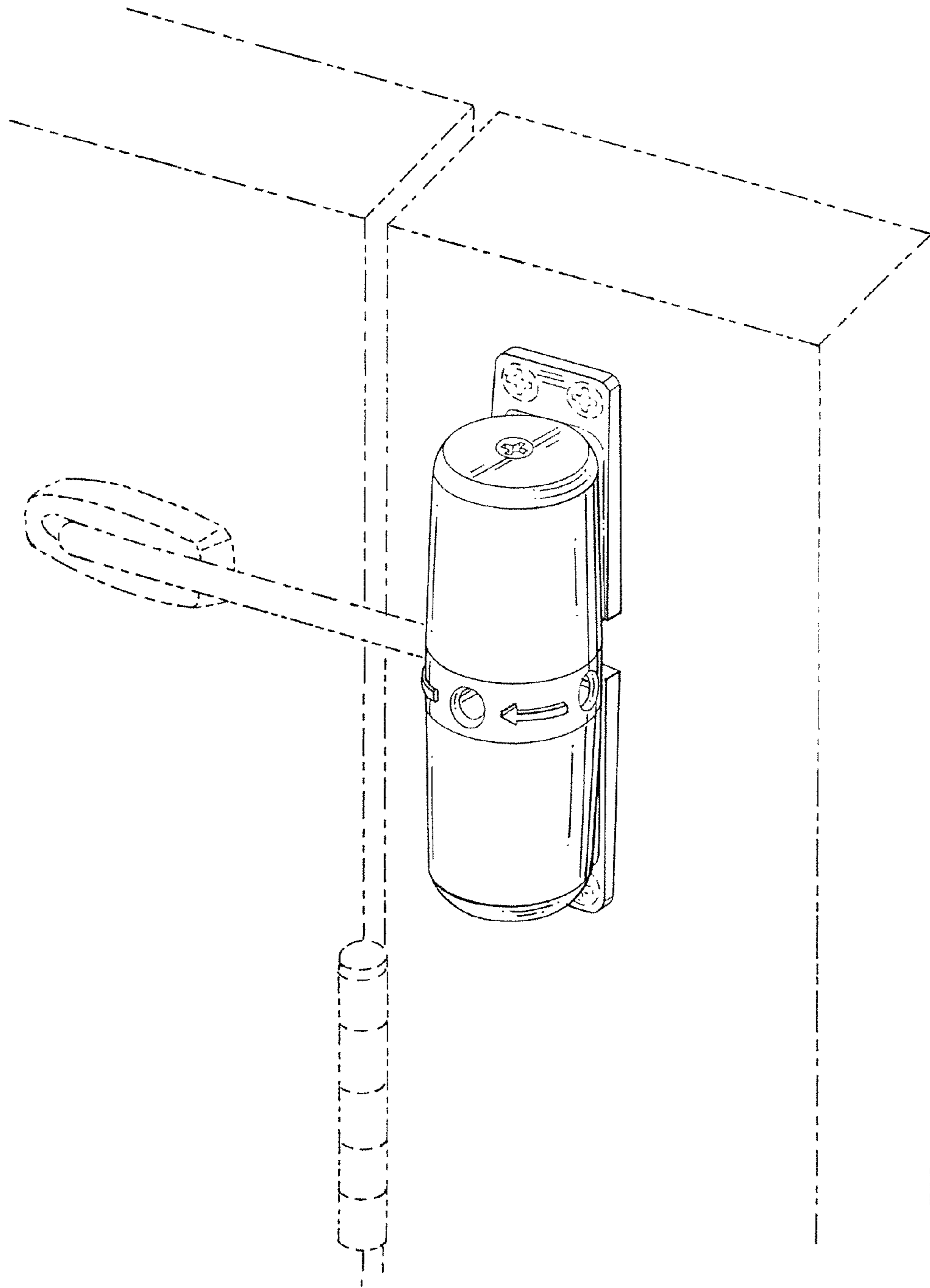


FIG. 7