



US00D715128S

(12) **United States Design Patent**  
**Inoue**

(10) **Patent No.:** **US D715,128 S**  
(45) **Date of Patent:** **\*\* Oct. 14, 2014**

- (54) **DOOR LOCK STRIKER FOR AN AUTOMOBILE**
- (71) Applicant: **Aisin Seiki Kabushiki Kaisha**, Kariya (JP)
- (72) Inventor: **Yuichi Inoue**, Aichi (JP)
- (73) Assignee: **Aisin Seiki Kabushiki Kaisha**, Kariya-Shi, Aichi-Ken (JP)
- (\*\*) Term: **14 Years**
- (21) Appl. No.: **29/458,521**
- (22) Filed: **Jun. 20, 2013**
- (30) **Foreign Application Priority Data**  
Dec. 21, 2012 (JP) ..... 2012-031181
- (51) **LOC (10) Cl.** ..... **08-07**
- (52) **U.S. Cl.**  
USPC ..... **D8/330; D8/343**
- (58) **Field of Classification Search**  
CPC ..... E05B 41/00; E05B 55/00; E05B 15/02;  
E05F 5/00; B60J 5/06  
USPC ..... D8/330, 343, 345, 339, 341, 349, 400;  
70/57, 57.1, 129, 141, 266, 431;  
292/340, 341.11, 341.13, 341.18;  
16/86 R  
See application file for complete search history.

6,581,990	B1 *	6/2003	Menke et al.	.....	292/341.16
6,692,046	B2 *	2/2004	Paskonis	.....	292/340
7,275,774	B2 *	10/2007	Oberheide	.....	292/341.16
7,344,169	B2 *	3/2008	Han	.....	292/340
7,703,818	B2 *	4/2010	Fannon et al.	.....	292/340
8,047,584	B2 *	11/2011	Rock	.....	292/340
D654,777	S *	2/2012	Beres et al.	.....	D8/339
8,186,742	B2 *	5/2012	Narayana et al.	.....	296/146.6
D689,756	S *	9/2013	Mukaide	.....	D8/339

**FOREIGN PATENT DOCUMENTS**

JP	1441411	S	5/2012
JP	1441412	S	5/2012
JP	1441573	S	5/2012

\* cited by examiner

*Primary Examiner* — Prabhakar Deshmukh

(74) *Attorney, Agent, or Firm* — Buchanan, Ingersoll & Rooney, PC

(57) **CLAIM**

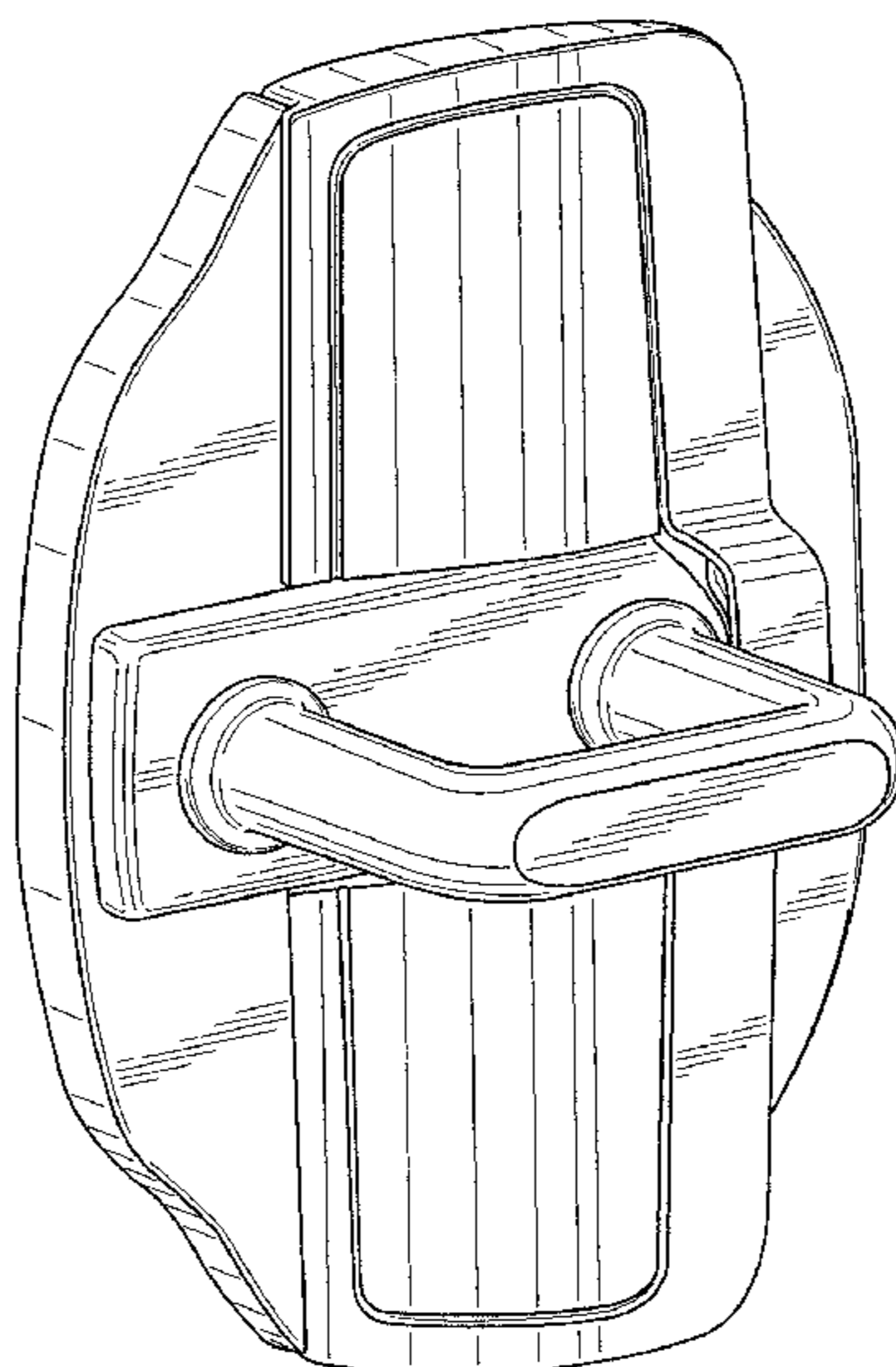
The ornamental design for a door lock striker for an automobile, as shown and described.

**DESCRIPTION**

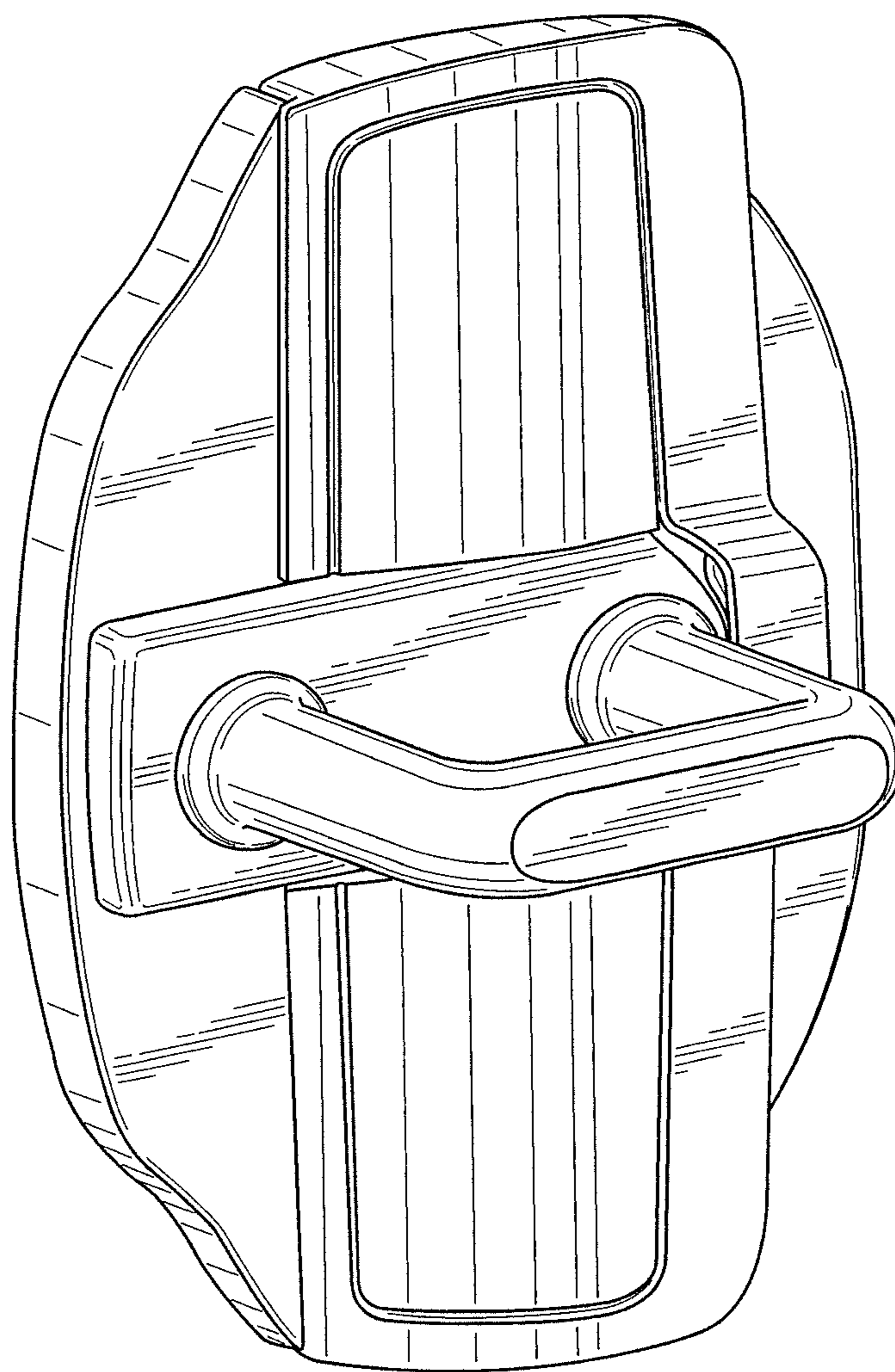
FIG. 1 is a front perspective view of a door lock striker for automobile showing my new design;  
FIG. 2 is a rear perspective view thereof;  
FIG. 3 is a front view thereof;  
FIG. 4 is a rear view thereof;  
FIG. 5 is a top plan view thereof;  
FIG. 6 is a bottom plan view thereof;  
FIG. 7 is a right side view thereof;  
FIG. 8 is a left side view thereof; and,  
FIG. 9 is a front view thereof with a movable wedge in an open position.

**1 Claim, 9 Drawing Sheets**

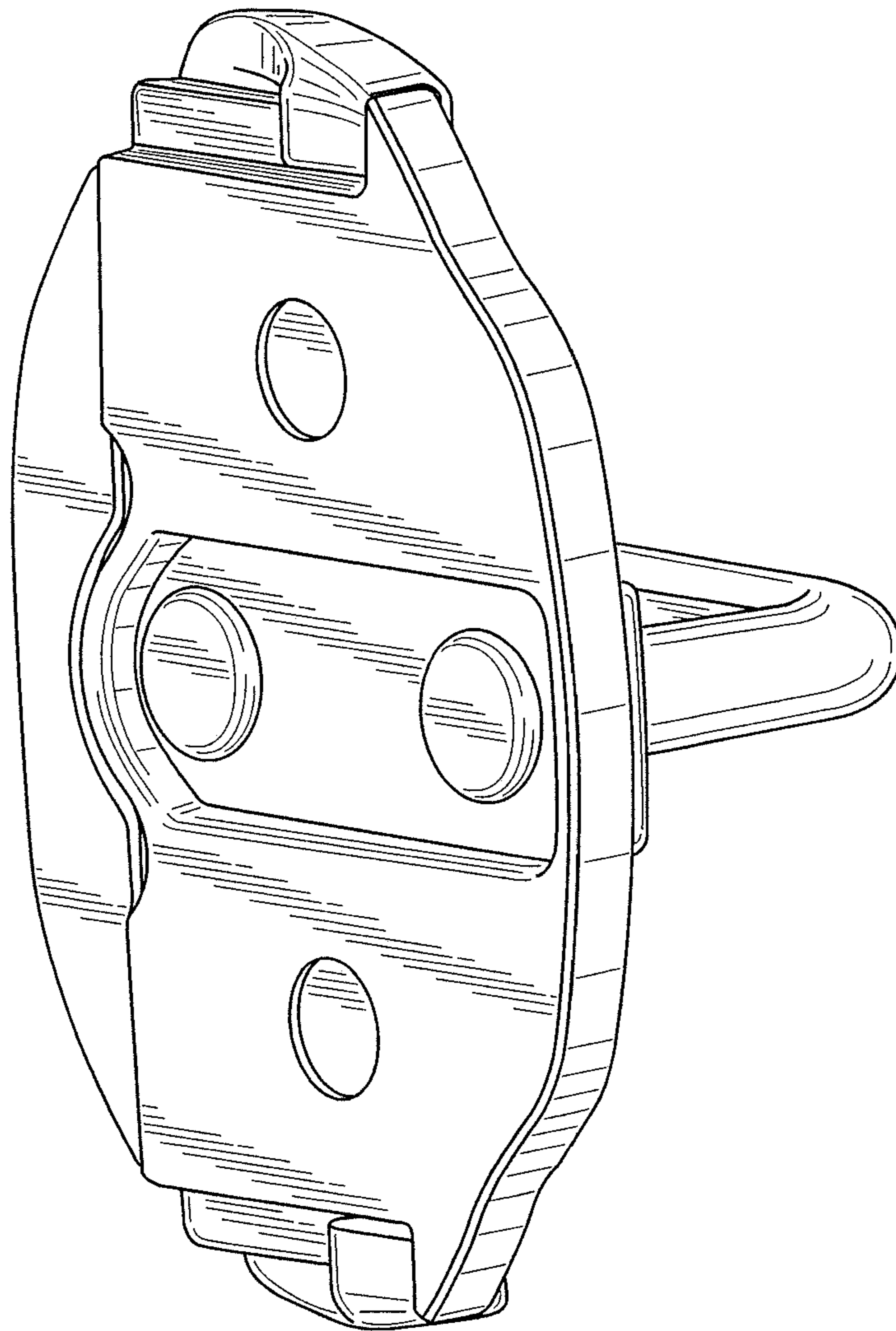
- (56) **References Cited**  
U.S. PATENT DOCUMENTS  
D242,322 S \* 11/1976 Miles ..... D8/339  
6,108,894 A \* 8/2000 Mizuki et al. .... 29/509  
D442,907 S \* 5/2001 Santelman ..... D12/223



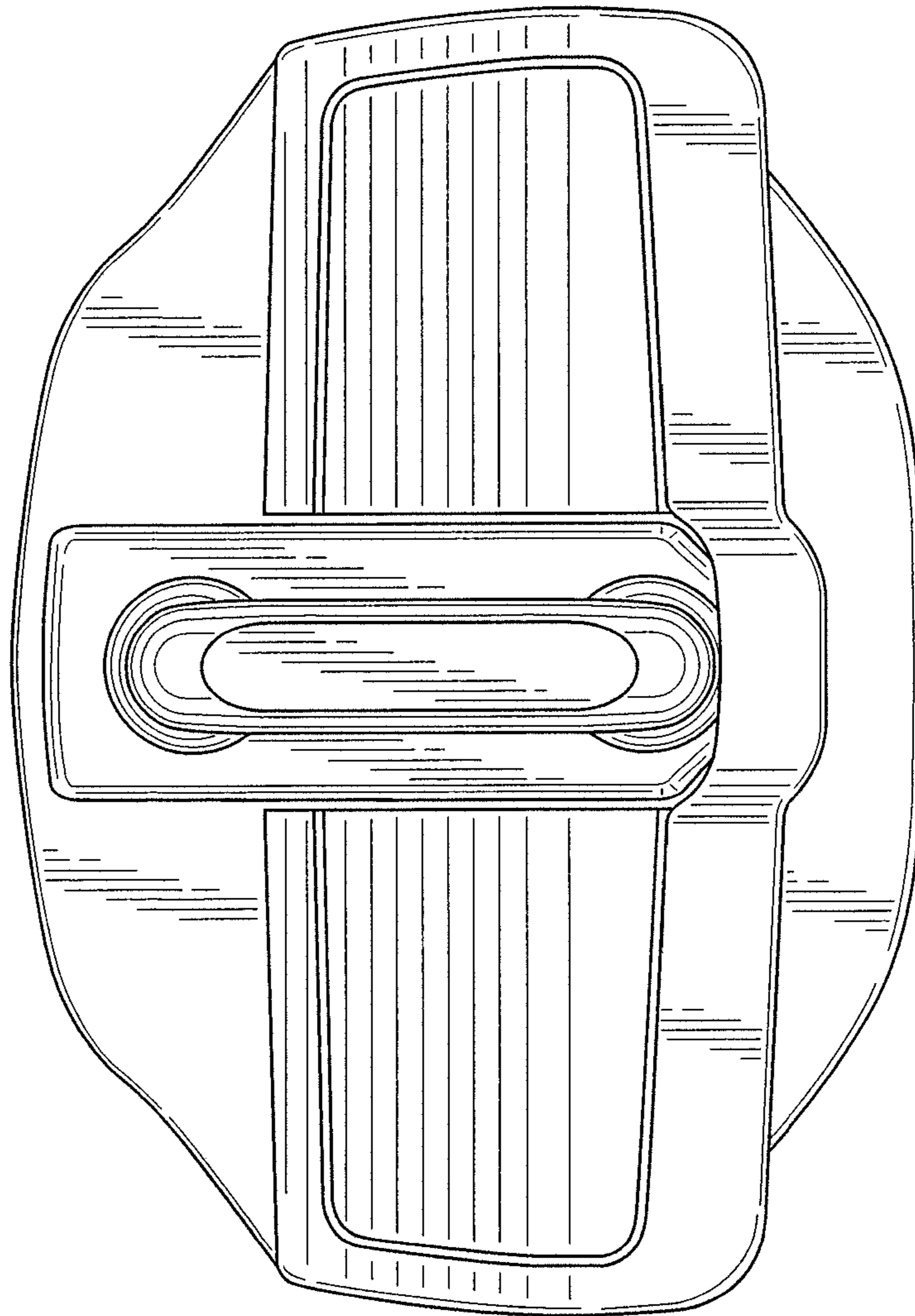
*FIG. 1*



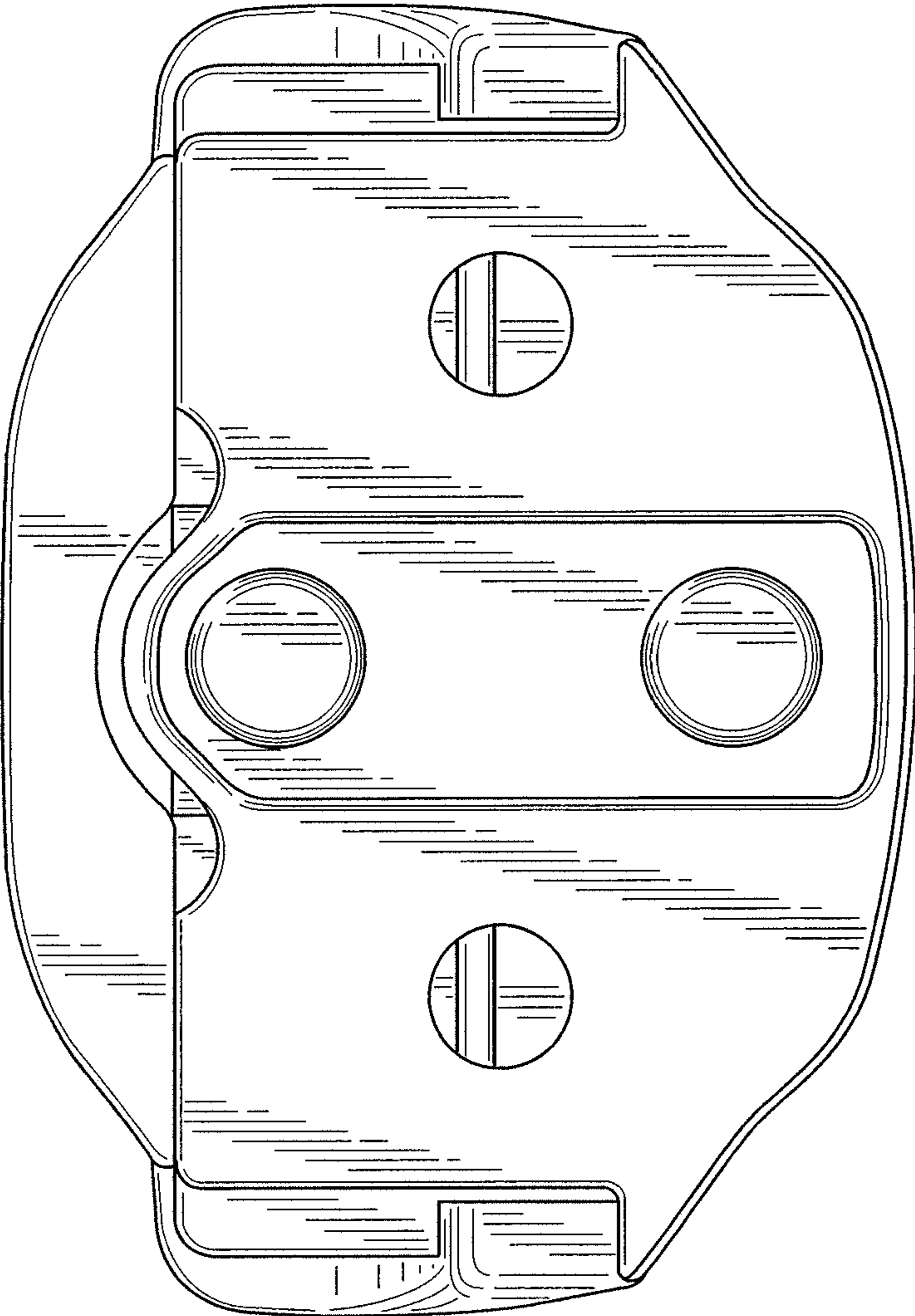
**FIG. 2**



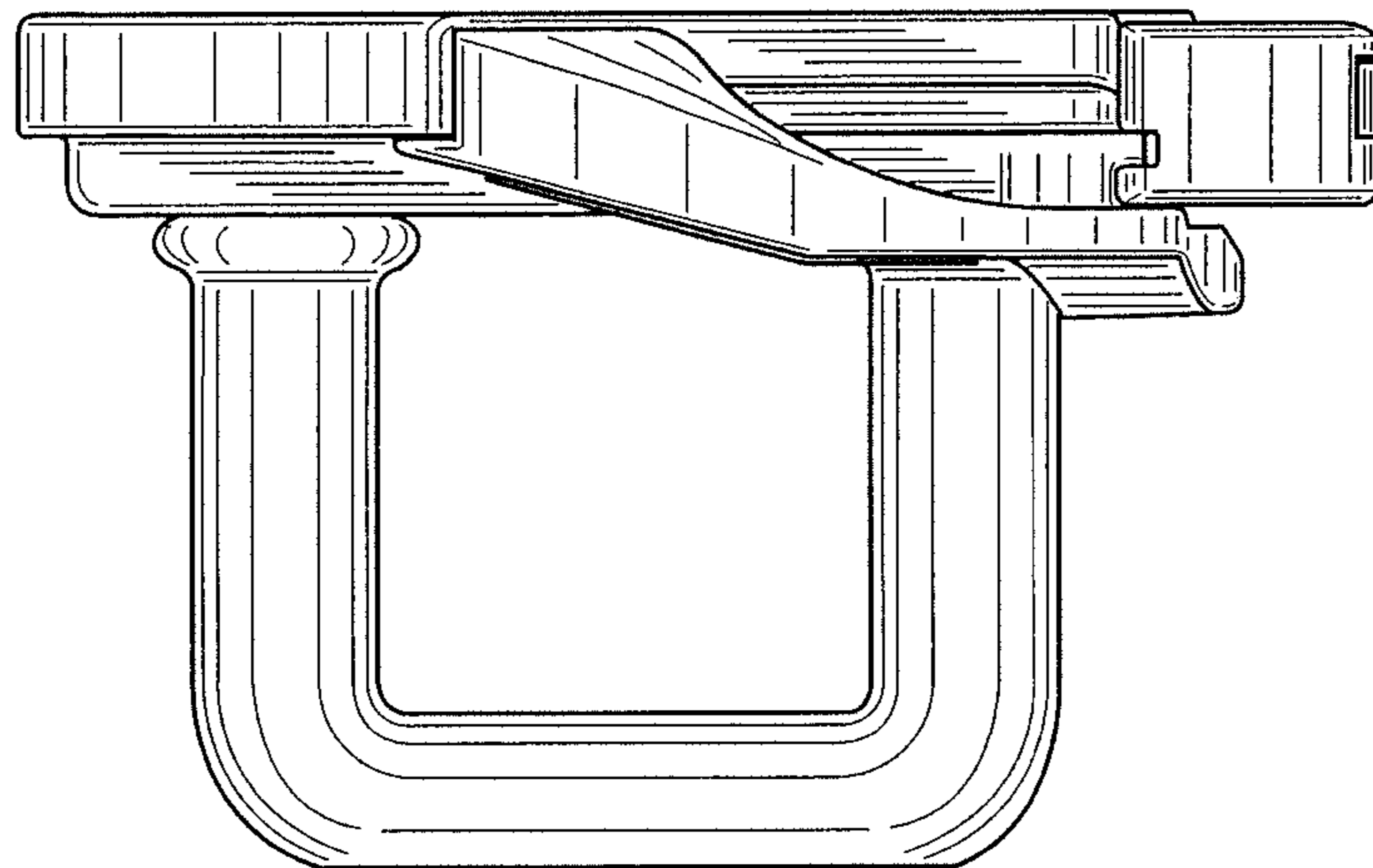
*FIG. 3*



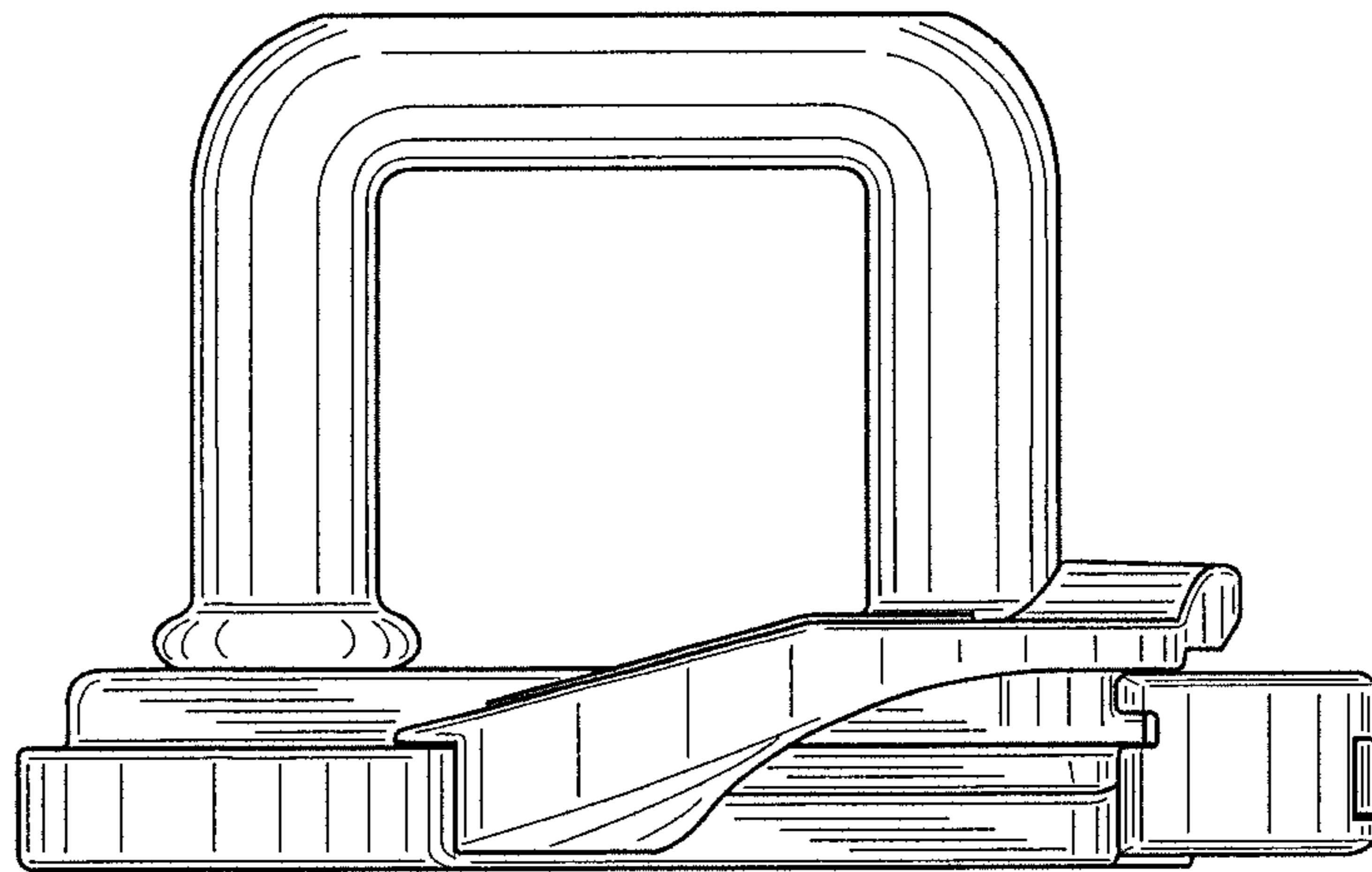
**FIG. 4**



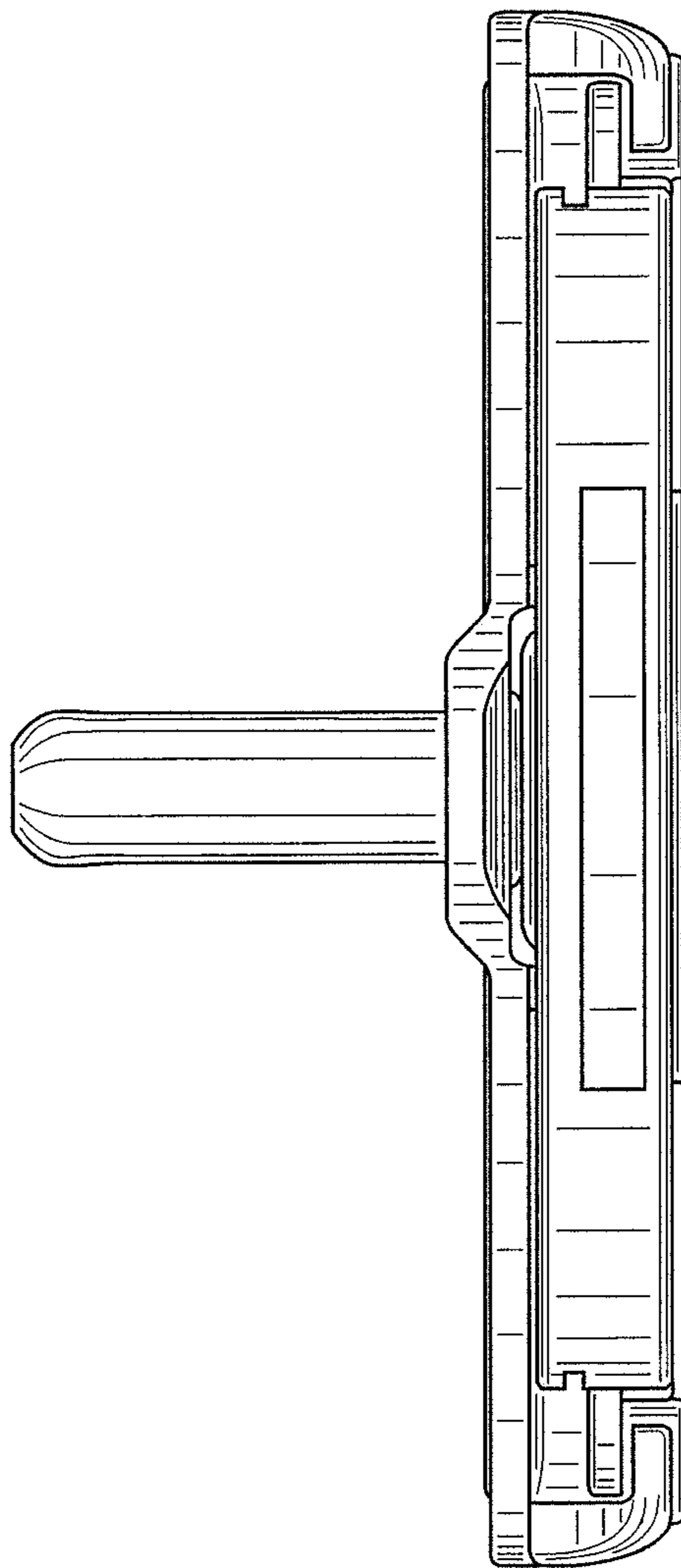
*FIG. 5*



*FIG. 6*

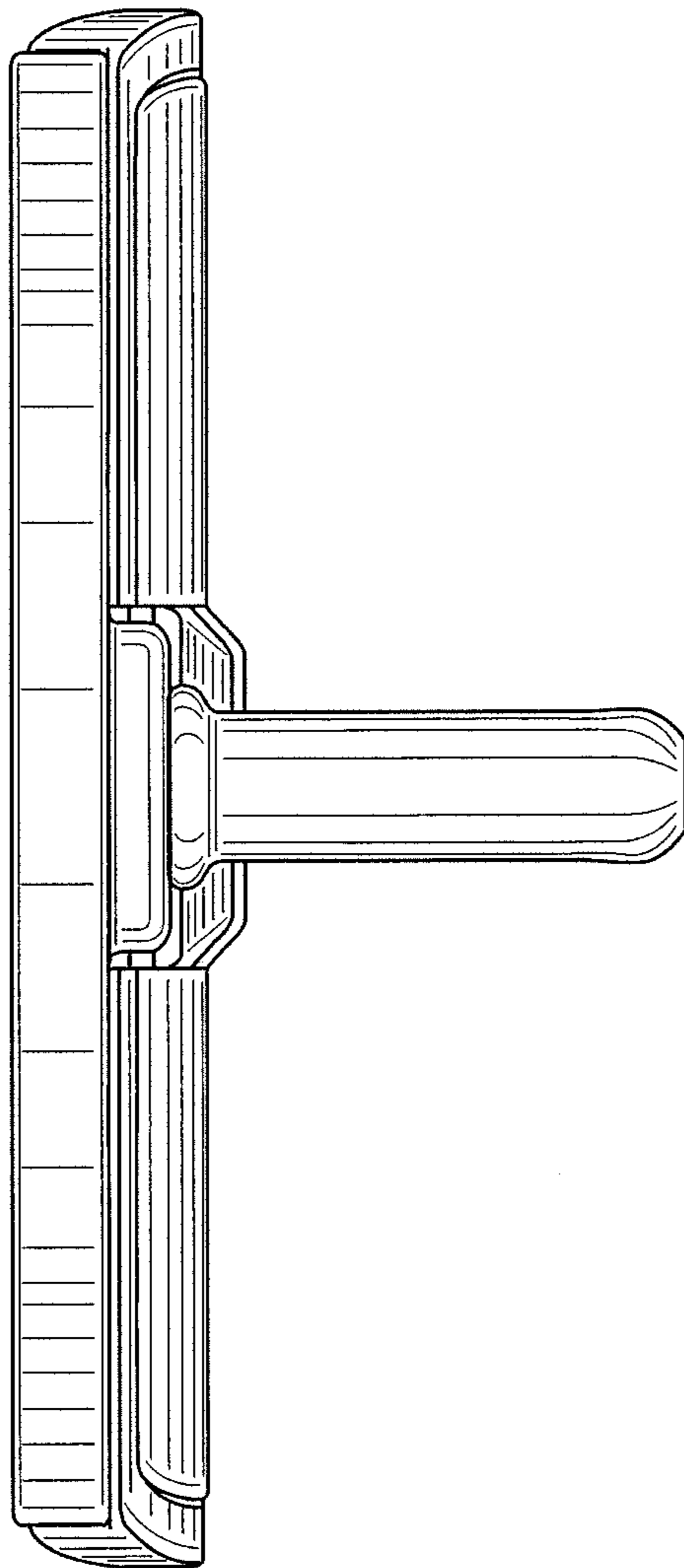


*FIG. 7*





*FIG. 8*



**FIG. 9**

