



US00D715126S

(12) **United States Design Patent**
Kim et al.

(10) **Patent No.:** **US D715,126 S**
(45) **Date of Patent:** **** Oct. 14, 2014**

(54) **KNOB**

(71) Applicant: **Samsung Electronics Co., Ltd.,**
Suwon-si (KR)

(72) Inventors: **Tai Kyung Kim, Seoul (KR); Ji-Young Shin, Seoul (KR)**

(73) Assignee: **Samsung Electronics Co., Ltd.,**
Suwon-Si (KR)

(**) Term: **14 Years**

(21) Appl. No.: **29/456,726**

(22) Filed: **Jun. 3, 2013**

(51) **LOC (10) Cl.** **08-06**

(52) **U.S. Cl.**
USPC **D8/311; D7/393**

(58) **Field of Classification Search**
CPC **G05G 1/10**
USPC **D8/311, 307, 308; 16/110.1, 414, 433, 16/441; D7/393, 402, 346; D13/174; 200/334; 126/214 C; 74/553; 219/445.1; 116/320, 319, 332**
See application file for complete search history.

(56) **References Cited**

U.S. PATENT DOCUMENTS

D145,188 S *	7/1946	Stewart	D8/311
2,537,782 A *	1/1951	Meyers	116/309
D198,028 S *	4/1964	Collins, Jr.	D8/311
D203,991 S *	3/1966	Rosen	D8/311
3,303,717 A *	2/1967	Valenti	74/553
D400,778 S *	11/1998	Holbrook, Jr.	D8/311

5,974,909 A *	11/1999	Bauer et al.	16/430
D443,496 S *	6/2001	DeCosse	D8/300
D498,657 S *	11/2004	Milrud et al.	D8/311
D525,518 S *	7/2006	Baldwin	D8/310
7,171,727 B2 *	2/2007	Wylie et al.	16/441
D567,060 S *	4/2008	Busalt et al.	D8/310
D577,983 S *	10/2008	Martin et al.	D8/311
D612,705 S *	3/2010	Baker et al.	D8/311
D628,457 S *	12/2010	Bengtson	D8/311
D634,156 S *	3/2011	Fuller et al.	D7/393
D634,602 S *	3/2011	Bengtson	D8/311
D637,886 S *	5/2011	Bengtson	D8/311
D642,042 S *	7/2011	Kim et al.	D8/311
D655,595 S *	3/2012	Ouellette et al.	D8/311

* cited by examiner

Primary Examiner — Paula Greene

(74) *Attorney, Agent, or Firm* — Ladas & Parry LLP

(57) **CLAIM**

The ornamental design for a knob, as shown and described.

DESCRIPTION

FIG. 1 is the front/right-side/top perspective view of a knob showing our new design;
FIG. 2 is the front elevational view thereof;
FIG. 3 is the rear elevational view thereof;
FIG. 4 is the left-side elevational view thereof;
FIG. 5 is the right-side elevational view thereof;
FIG. 6 is the top plan view thereof;
FIG. 7 is the bottom plan view thereof; and,
FIG. 8 shows the knob in use.

The broken lines shown in the drawings are for illustrative purposes only and form no part of the claimed design.

1 Claim, 5 Drawing Sheets

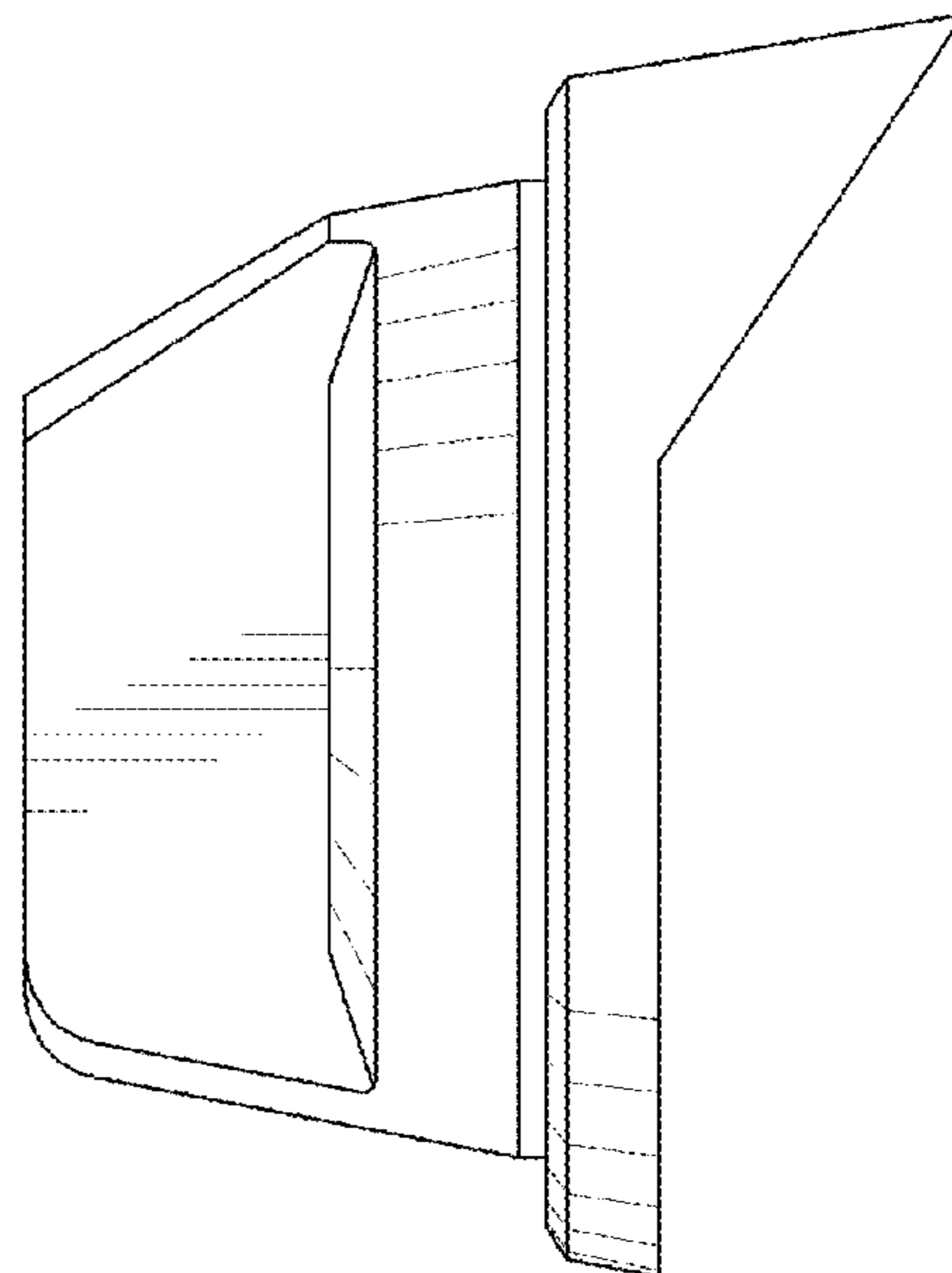
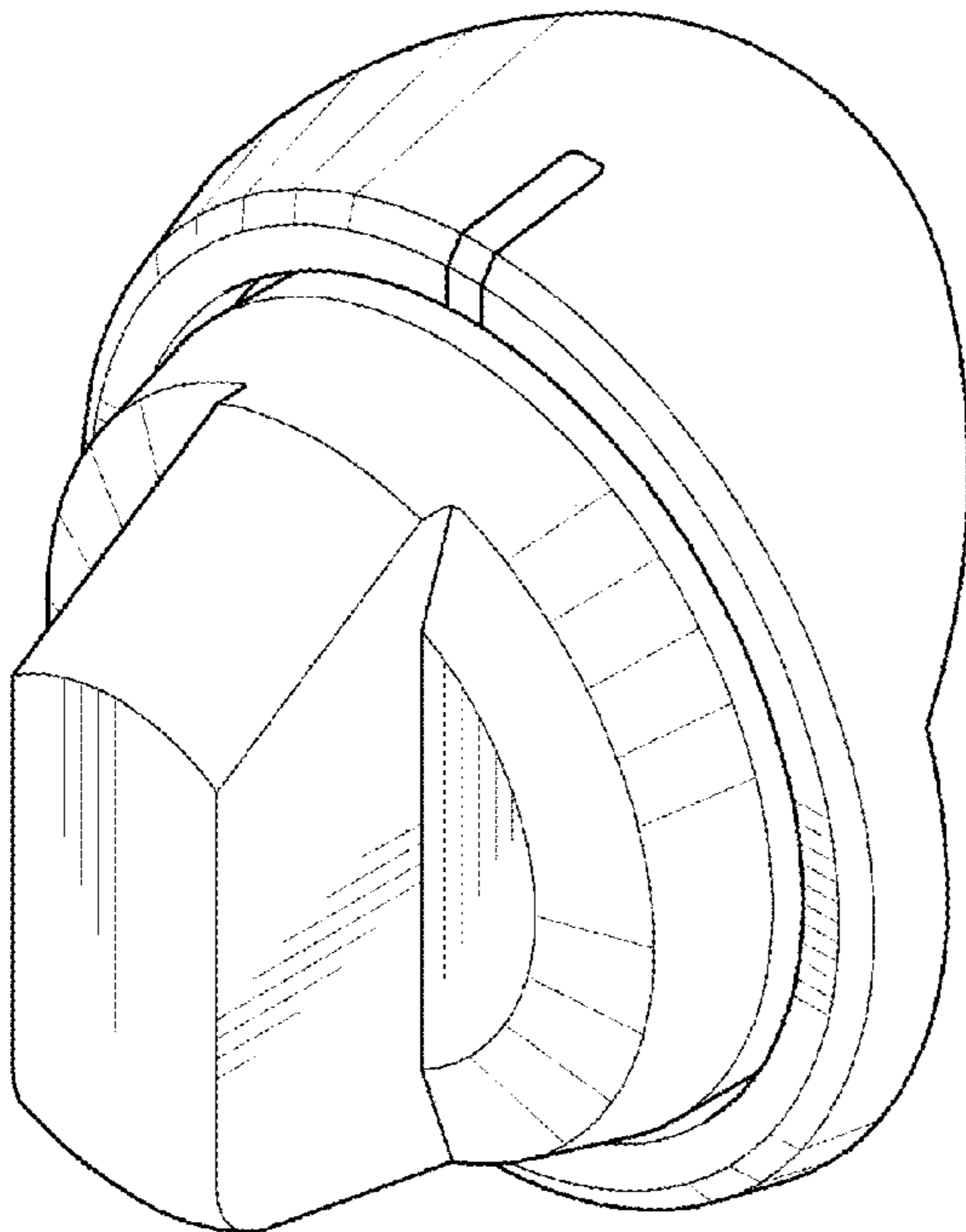


FIG. 1

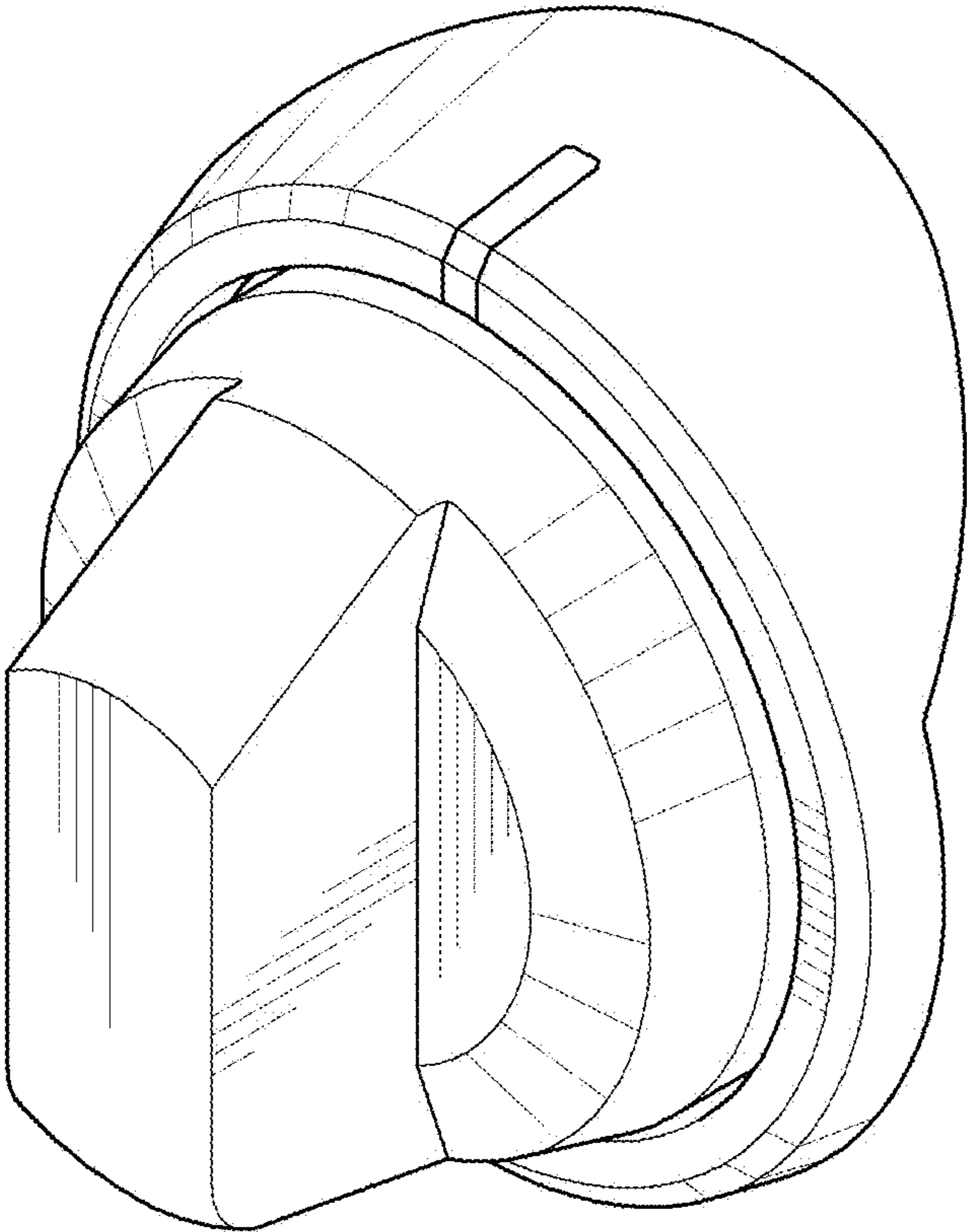


FIG. 2

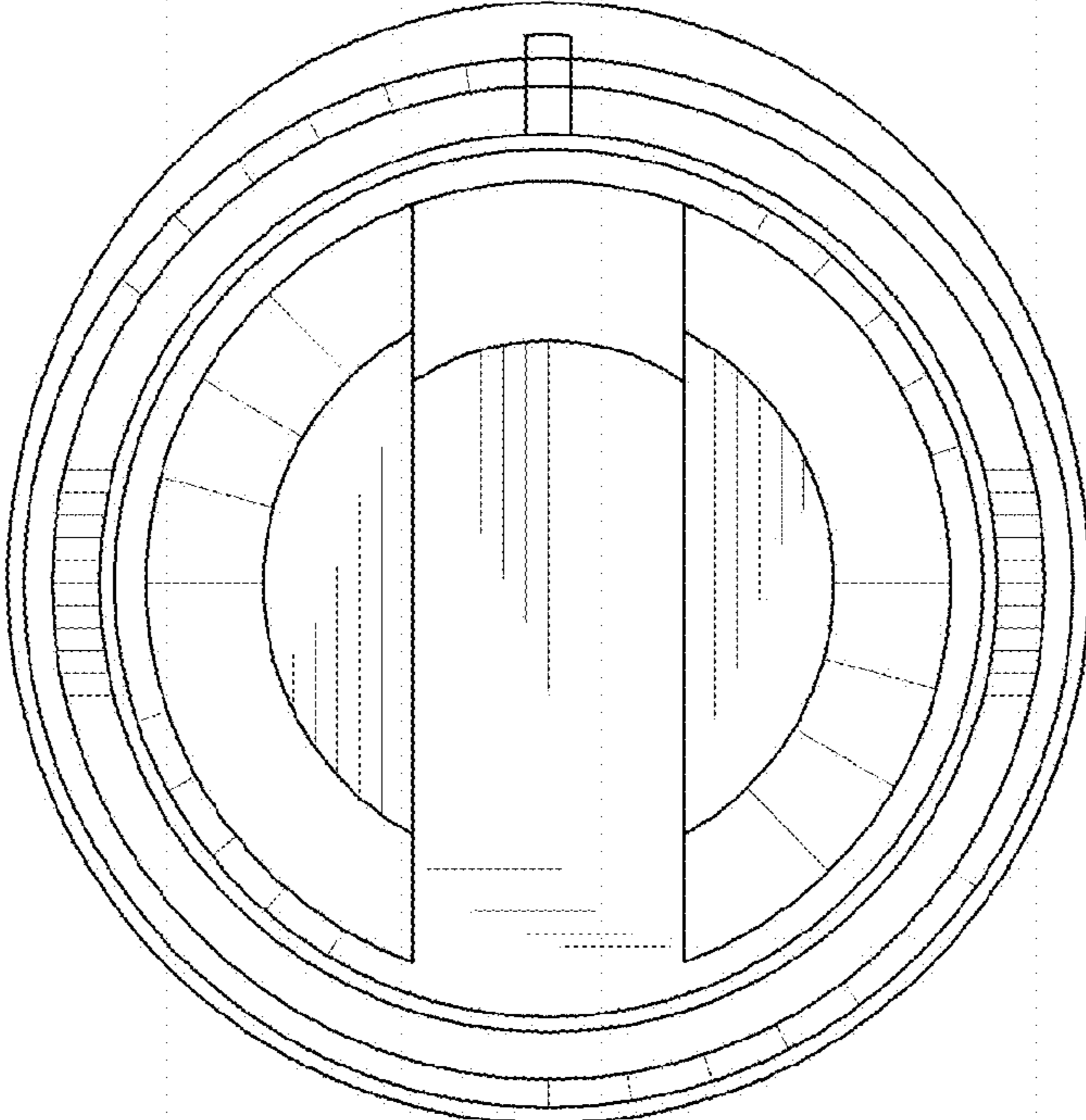


FIG. 3

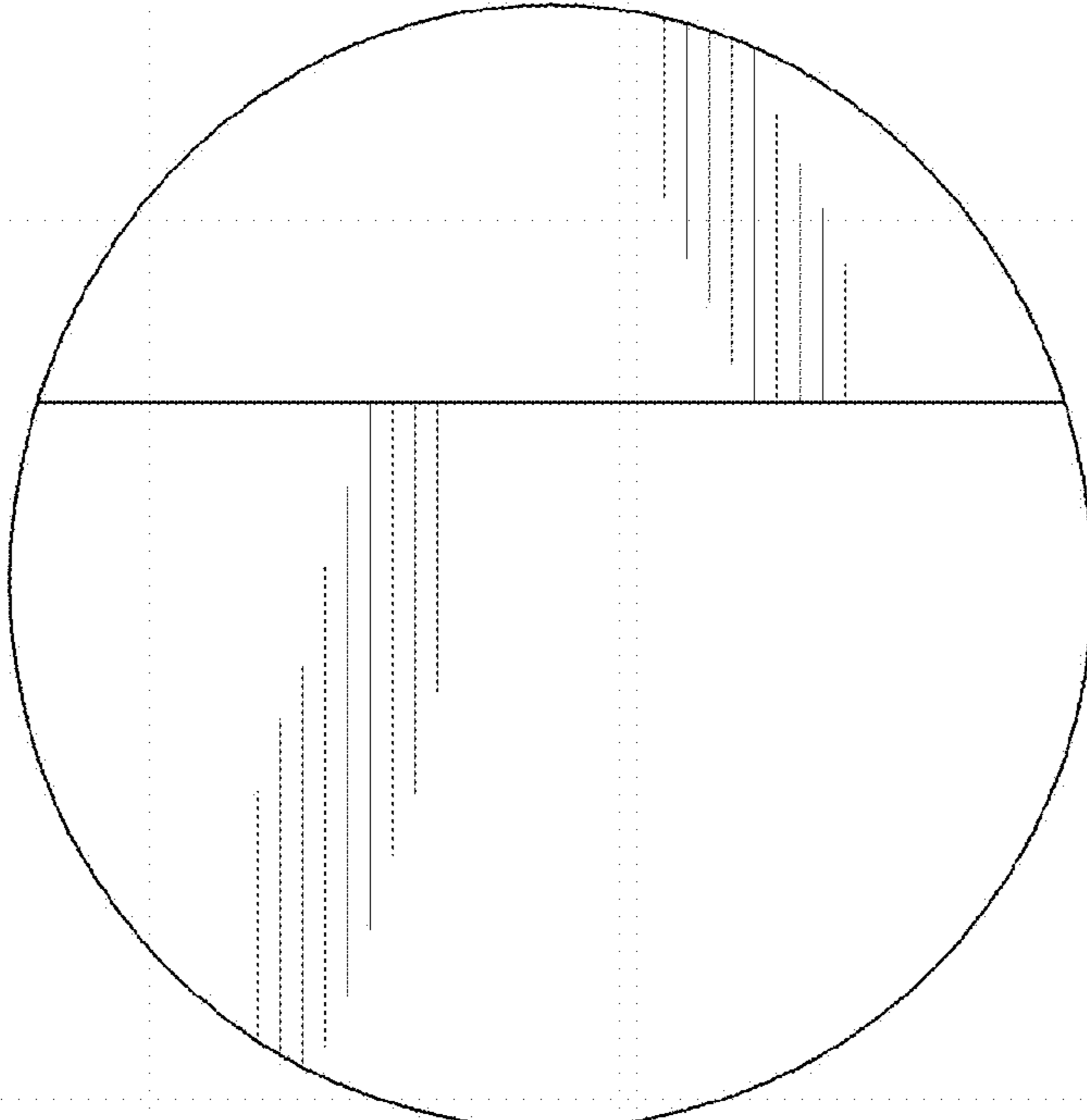


FIG. 4

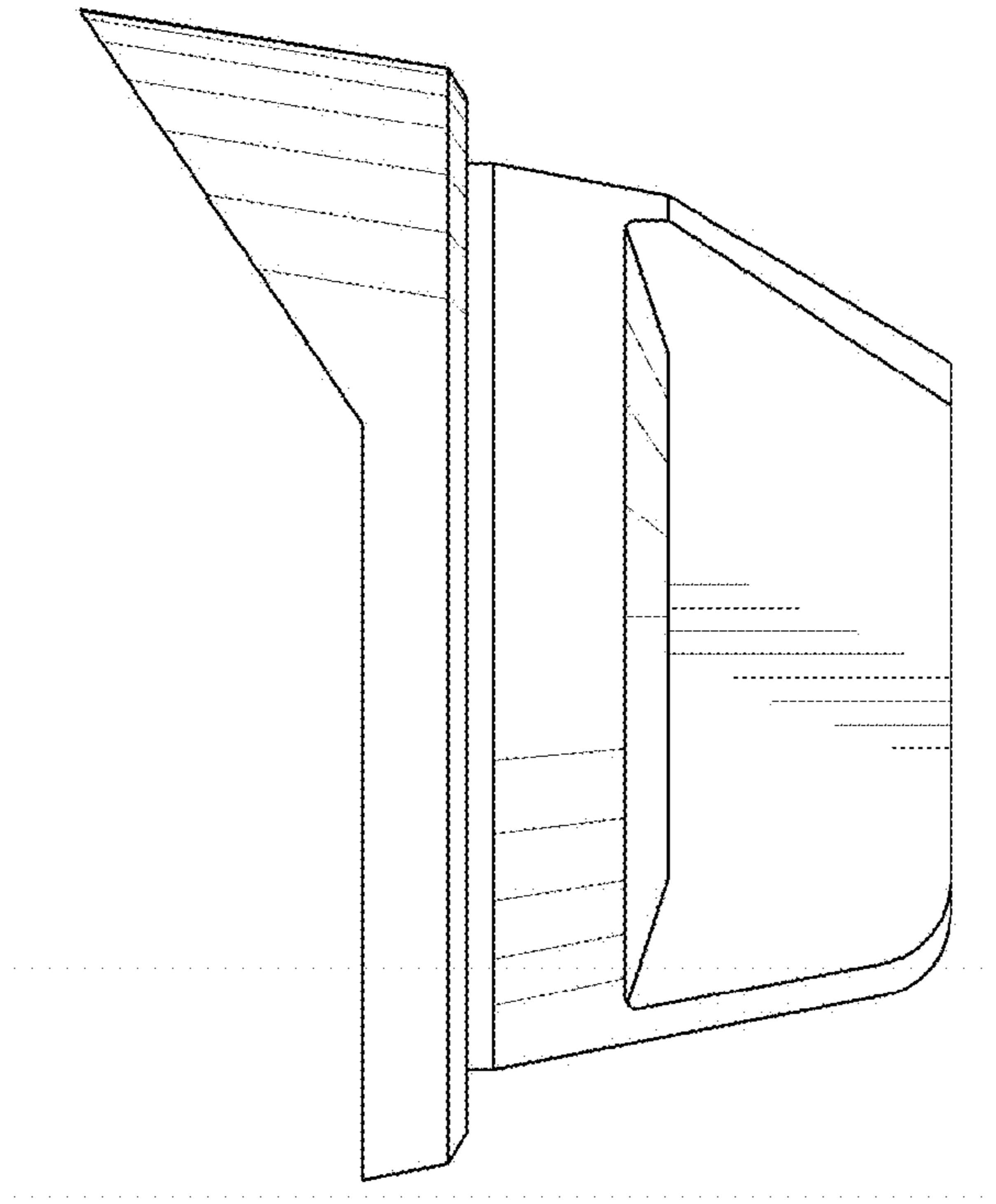


FIG. 5

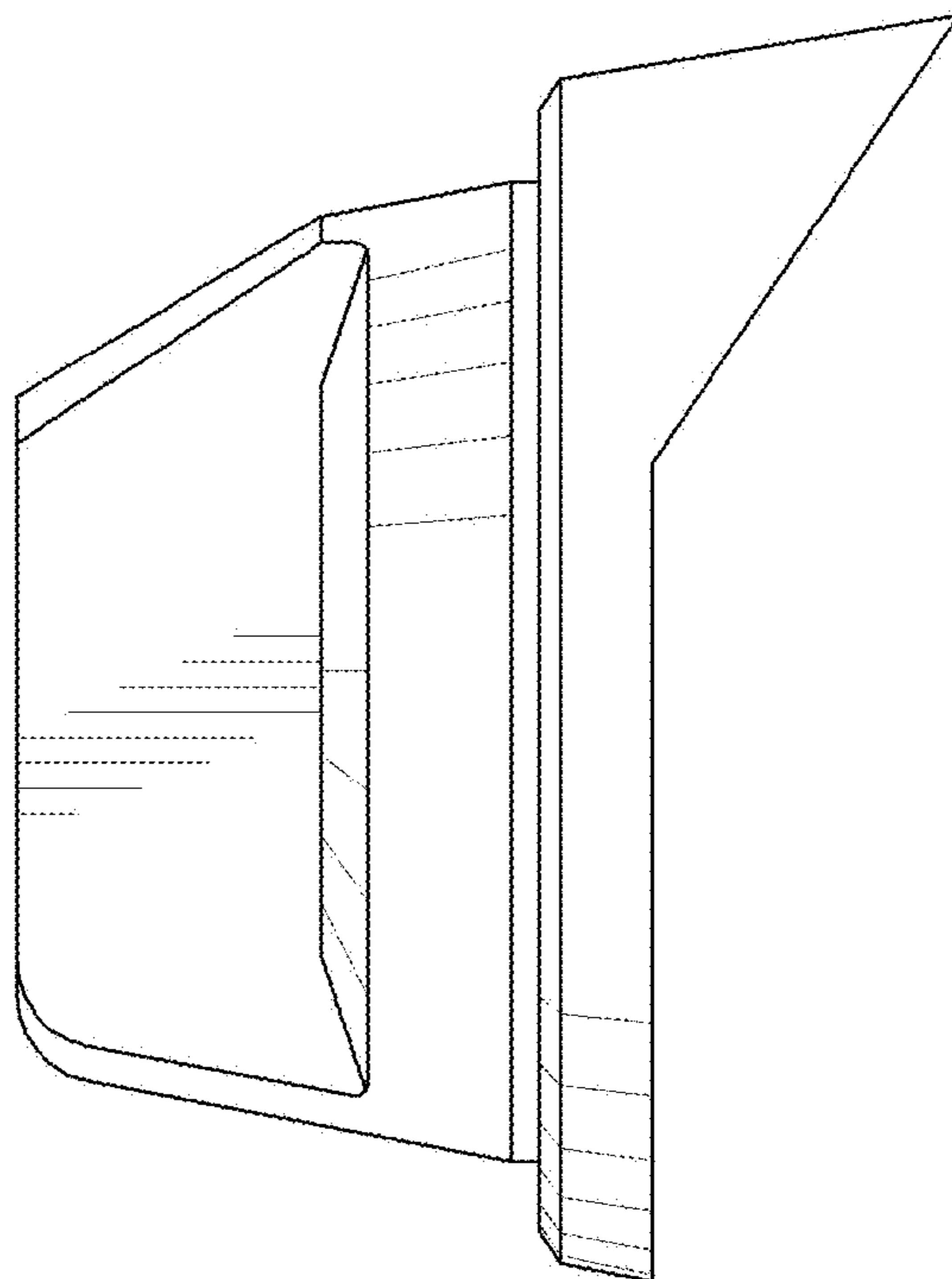


FIG. 6

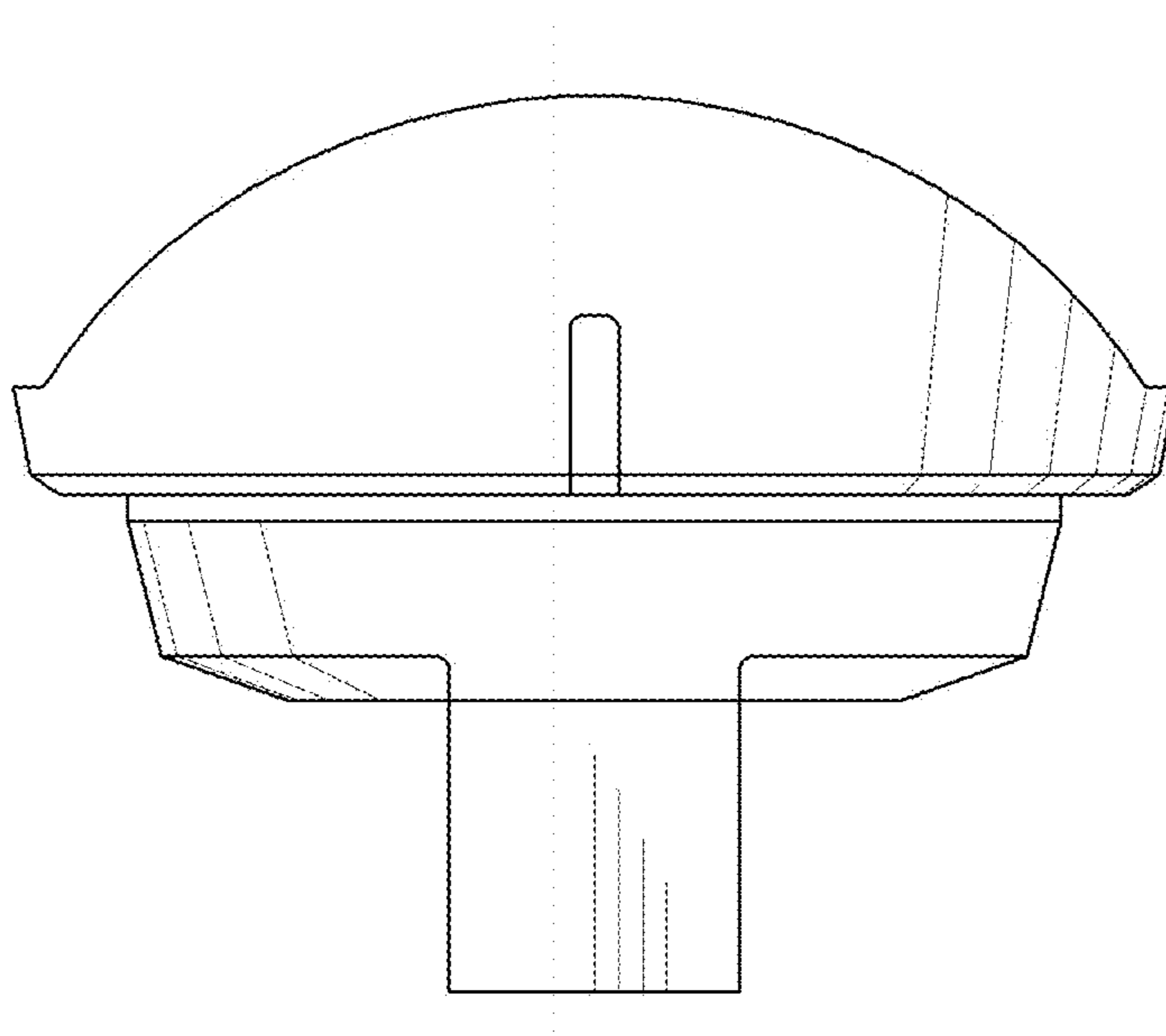


FIG. 7

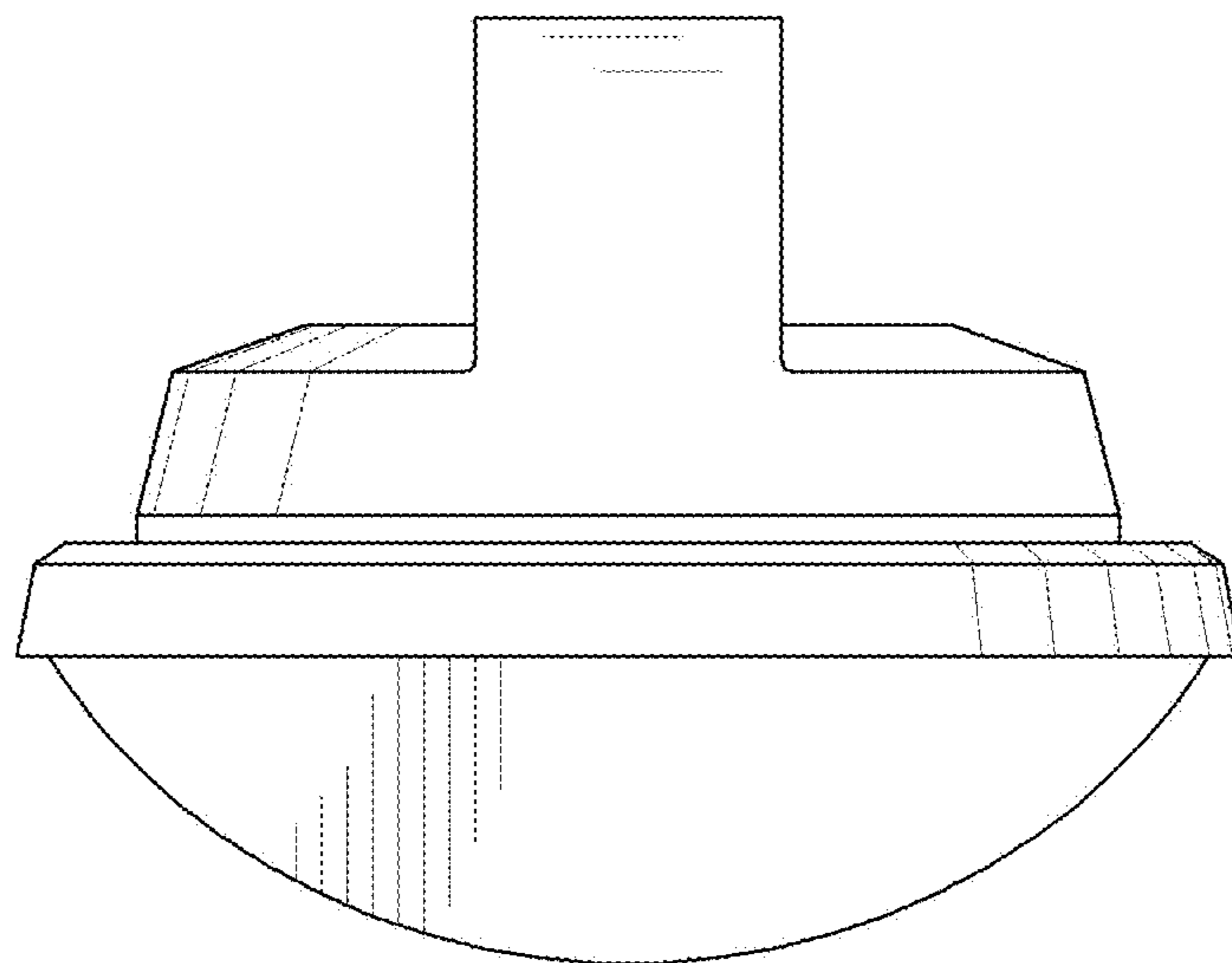


FIG. 8

