



US00D715125S

(12) **United States Design Patent**
Hung

(10) **Patent No.:** **US D715,125 S**

(45) **Date of Patent:** **** Oct. 14, 2014**

(54) **GRIP**

(71) Applicant: **Ames True Temper, Inc.**, Camp Hill, PA (US)

(72) Inventor: **Chun Wai Hung**, Dillsburg, PA (US)

(73) Assignee: **The Ames Companies, Inc.**, Camp Hill, PA (US)

(**) Term: **14 Years**

(21) Appl. No.: **29/433,986**

(22) Filed: **Oct. 8, 2012**

(51) **LOC (10) Cl.** **08-06**

(52) **U.S. Cl.**
USPC **D8/107; D8/303**

(58) **Field of Classification Search**
CPC B25G 1/10
USPC D8/82, 83, 107, 303, 300, 47, 14;
16/110.1, 430, 421, 417; 81/177.1,
81/489, 44, 177.2, 436; D3/12; D34/28;
15/167.1; D7/393
See application file for complete search history.

(56) **References Cited**

U.S. PATENT DOCUMENTS

803,161	A *	10/1905	Hastings	279/105
1,345,443	A *	7/1920	Hood	81/436
1,425,598	A *	8/1922	Lauber	279/102
1,860,561	A *	5/1932	Warner	81/489
2,324,839	A *	7/1943	Haumerson	81/177.1
D146,898	S *	6/1947	Daniels	D8/83
2,985,209	A *	5/1961	Novelo	81/177.1
D284,634	S *	7/1986	Sumikama	D7/395
4,784,025	A *	11/1988	Peck	81/44
5,390,572	A *	2/1995	Gakhar et al.	81/436
D372,411	S *	8/1996	Ho	D8/83

D398,828	S *	9/1998	Shiao	D8/83
D399,722	S *	10/1998	Eidsmoe et al.	D8/107
D414,095	S *	9/1999	Hoepfl et al.	D8/83
D444,370	S *	7/2001	Chang	D8/107
D468,182	S *	1/2003	Thompson	D8/83
D494,038	S *	8/2004	Shih	D8/107
D494,443	S *	8/2004	Saunders	D8/107
D494,824	S *	8/2004	Hernandez	D8/47
D498,130	S	11/2004	Tomchak et al.	
6,976,413	B2 *	12/2005	Hsieh	81/492
D531,480	S *	11/2006	Tsai	D8/107
D614,010	S	4/2010	Hyp	
D617,169	S *	6/2010	Robinson et al.	D8/107
D617,170	S *	6/2010	Lai	D8/107
8,056,450	B2 *	11/2011	Hsieh	81/177.1

(Continued)

Primary Examiner — Paula Greene

(74) *Attorney, Agent, or Firm* — Eckert Seamans Cherin & Mellott, LLC; David C. Jenkins

(57) **CLAIM**

The ornamental design for a grip, as shown and described.

DESCRIPTION

FIG. 1 is an isometric view of the grip showing my new design;

FIG. 2 is a front view thereof;

FIG. 3 is a back view thereof;

FIG. 4 is a top view thereof;

FIG. 5 is a bottom view thereof;

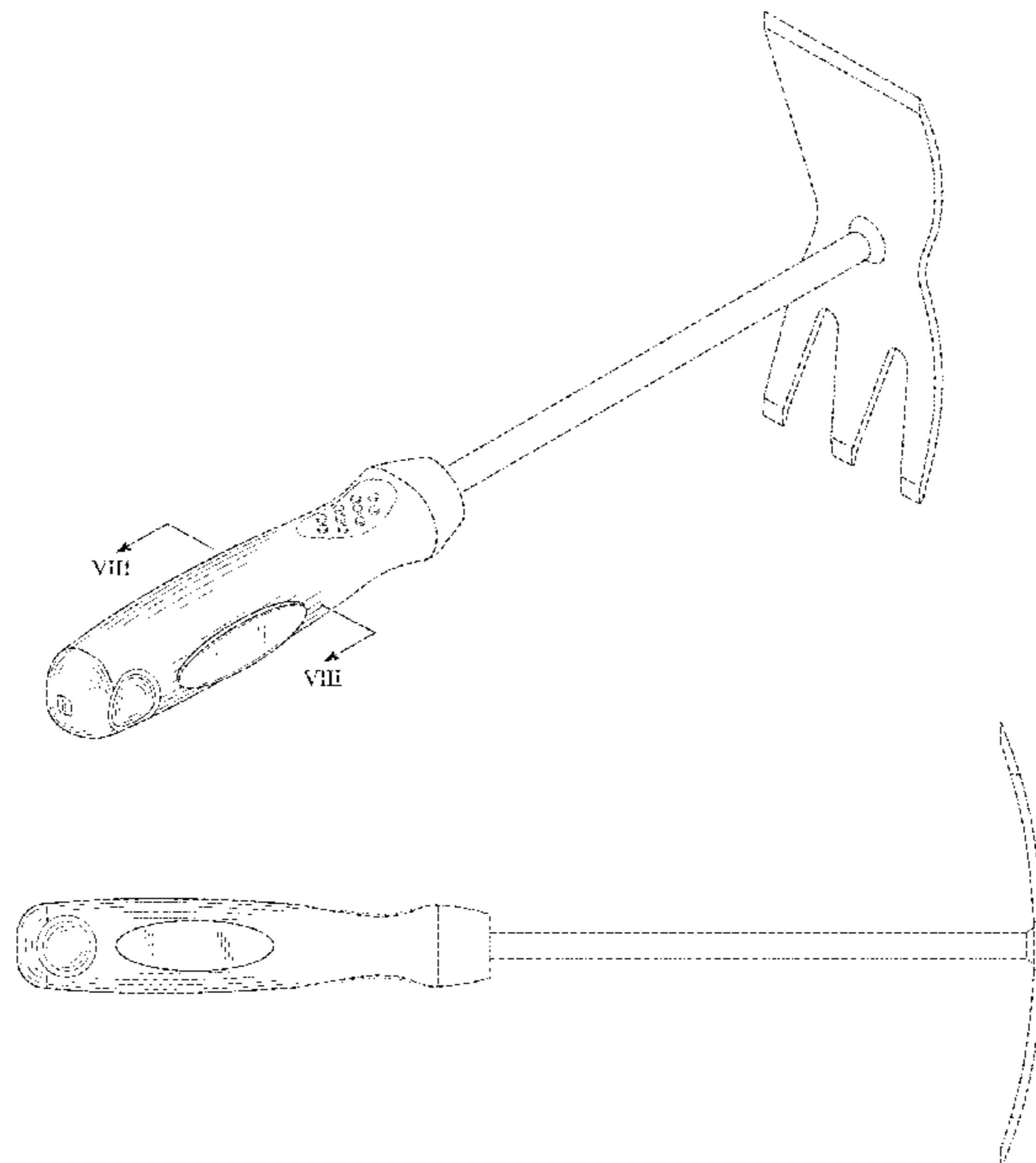
FIG. 6 is a right side view thereof;

FIG. 7 is a left side view thereof; and,

FIG. 8 is an isometric view taken along line VIII-VIII of FIG. 1.

It is noted that the phantom lines depicted in the figures are intended for the purposes of illustration only and are not a part of the design.

1 Claim, 7 Drawing Sheets



US D715,125 S

Page 2

(56)

References Cited

U.S. PATENT DOCUMENTS

D669,332 S *	10/2012	Hoertnagl	D8/107	2005/0115023 A1*	6/2005	Lin	16/110.1
D695,475 S *	12/2013	Schoen	D32/35	2006/0026800 A1*	2/2006	Lawless	16/430
2005/0015934 A1*	1/2005	Hu	16/430	2007/0113710 A1*	5/2007	Chen	81/60
					2008/0092337 A1*	4/2008	Gross	16/430
					2008/0156151 A1*	7/2008	Chen	81/177.2

* cited by examiner

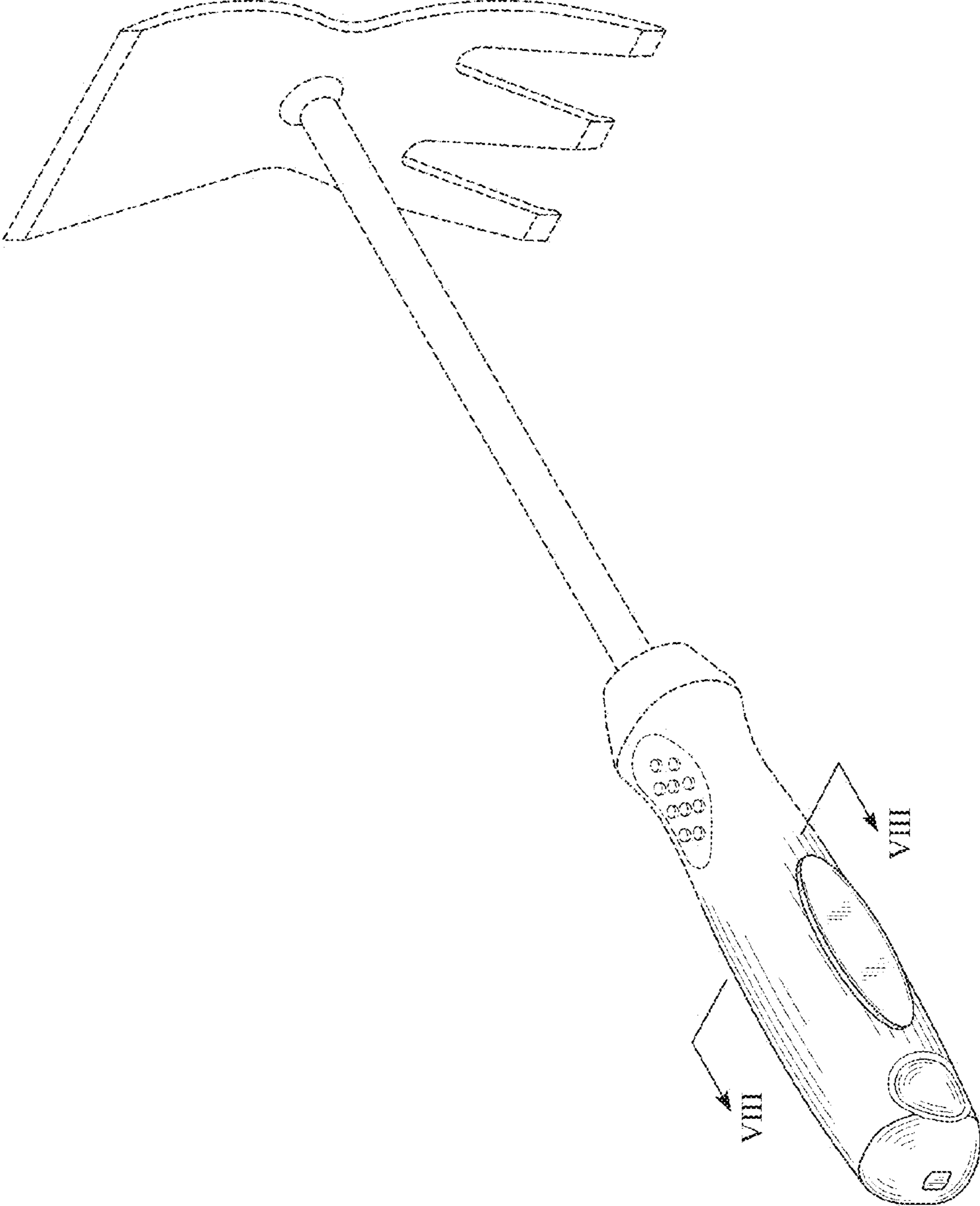


FIG. 1

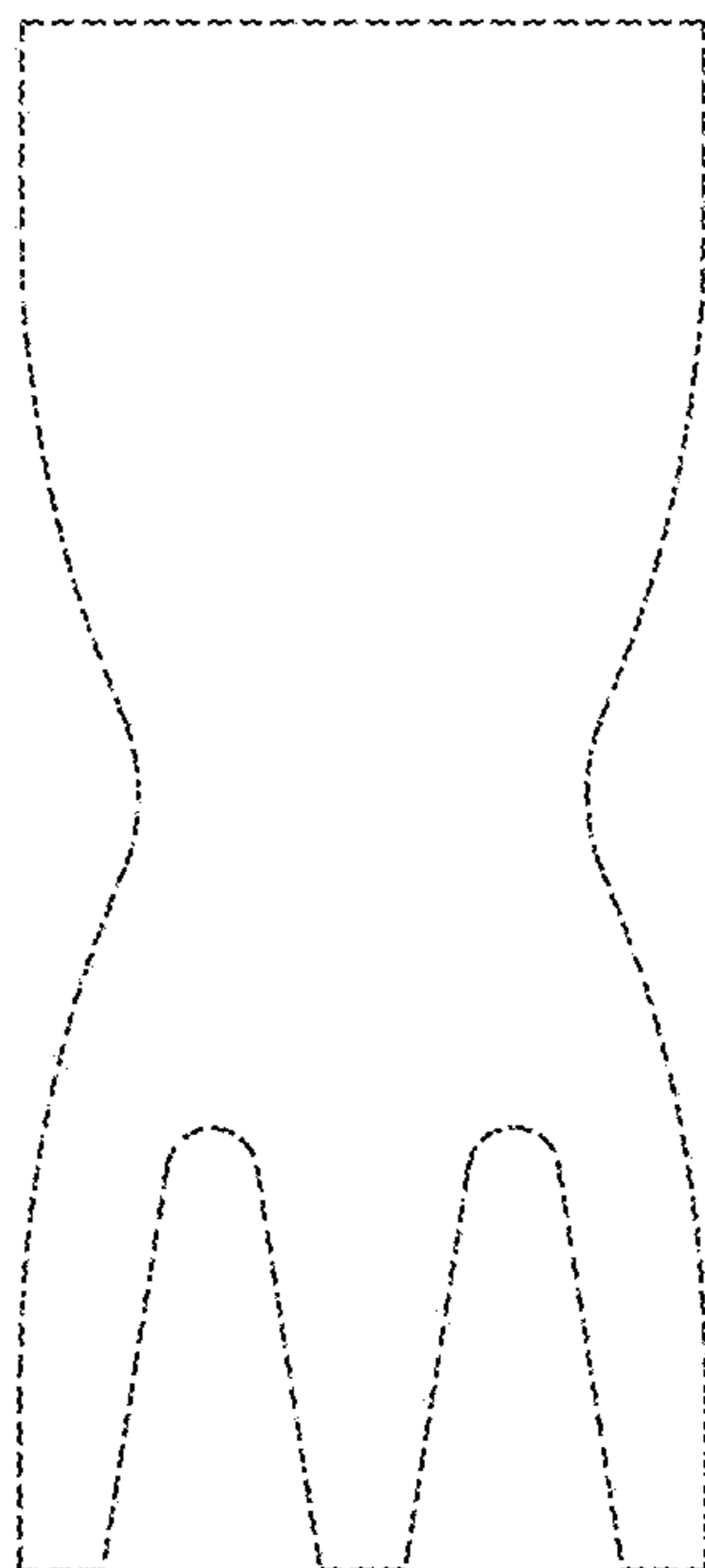


FIG. 2

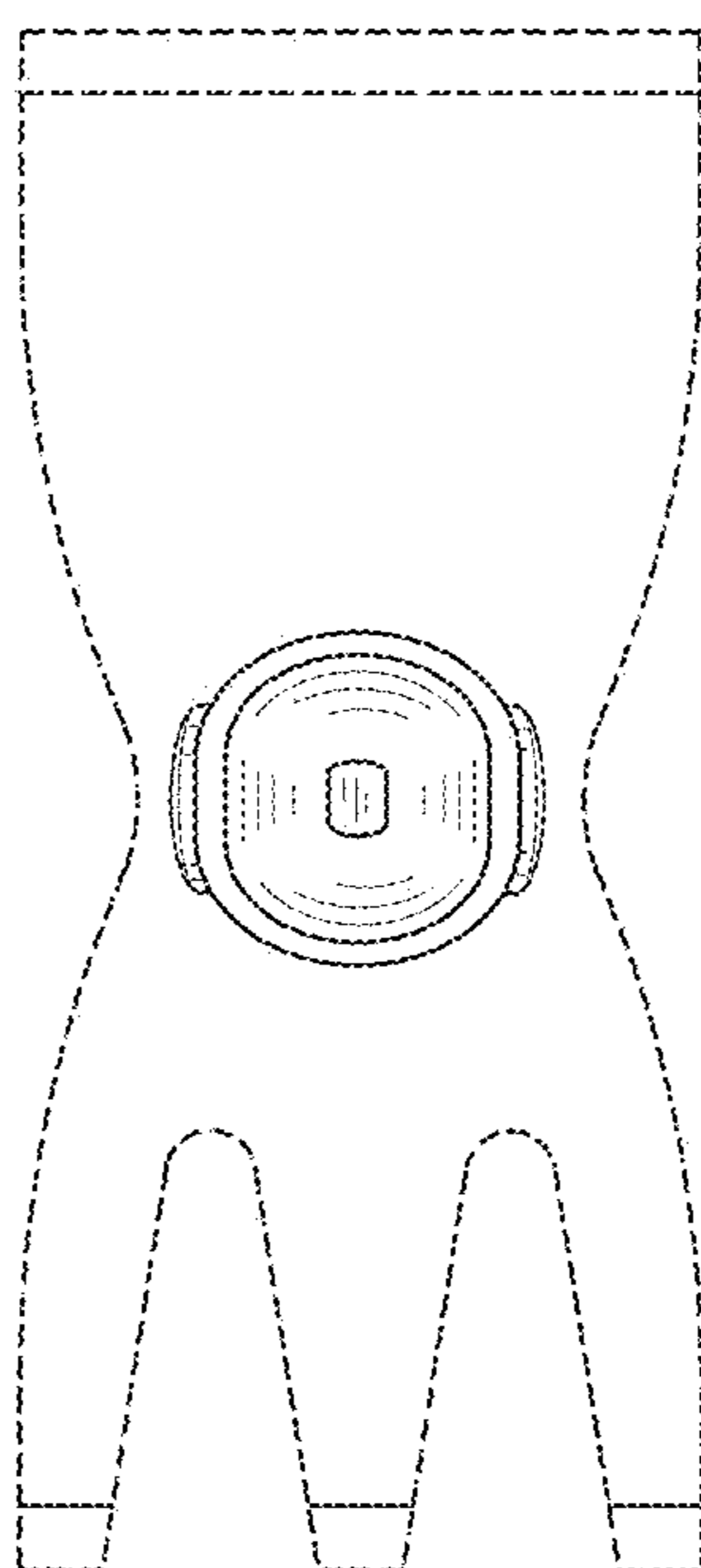


FIG. 3

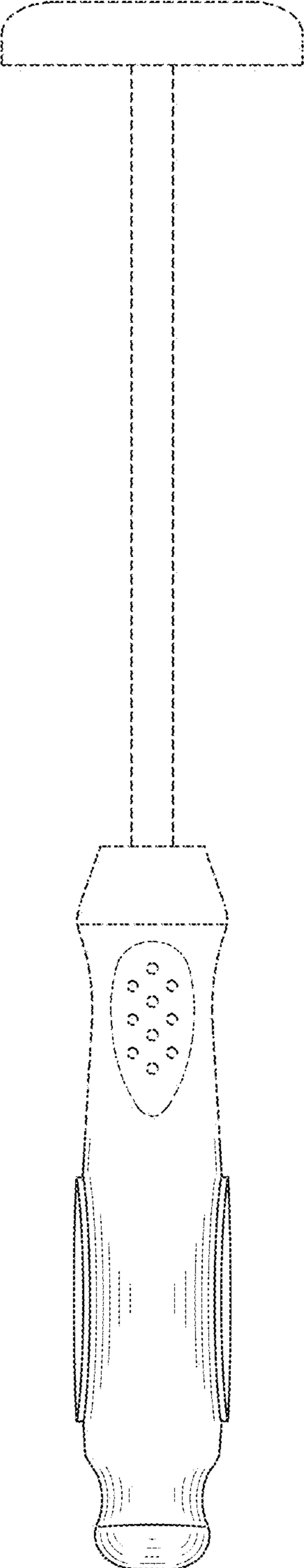


FIG. 4

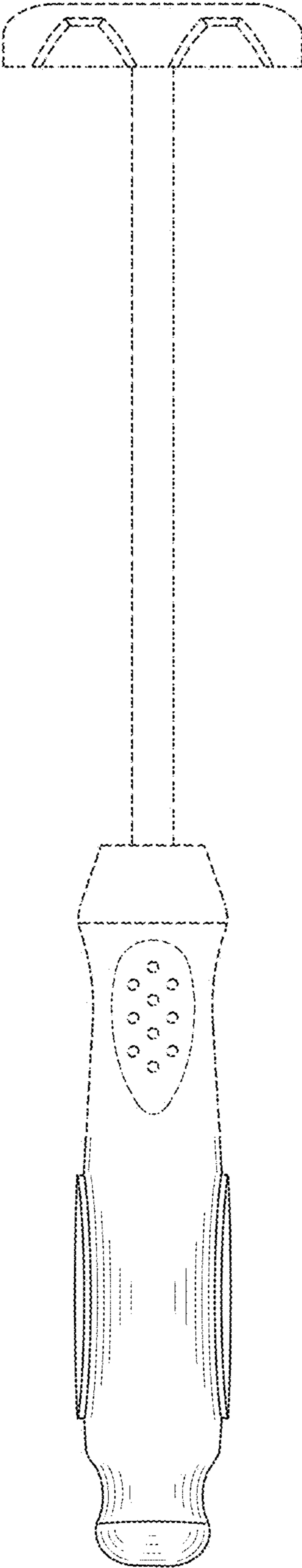


FIG. 5

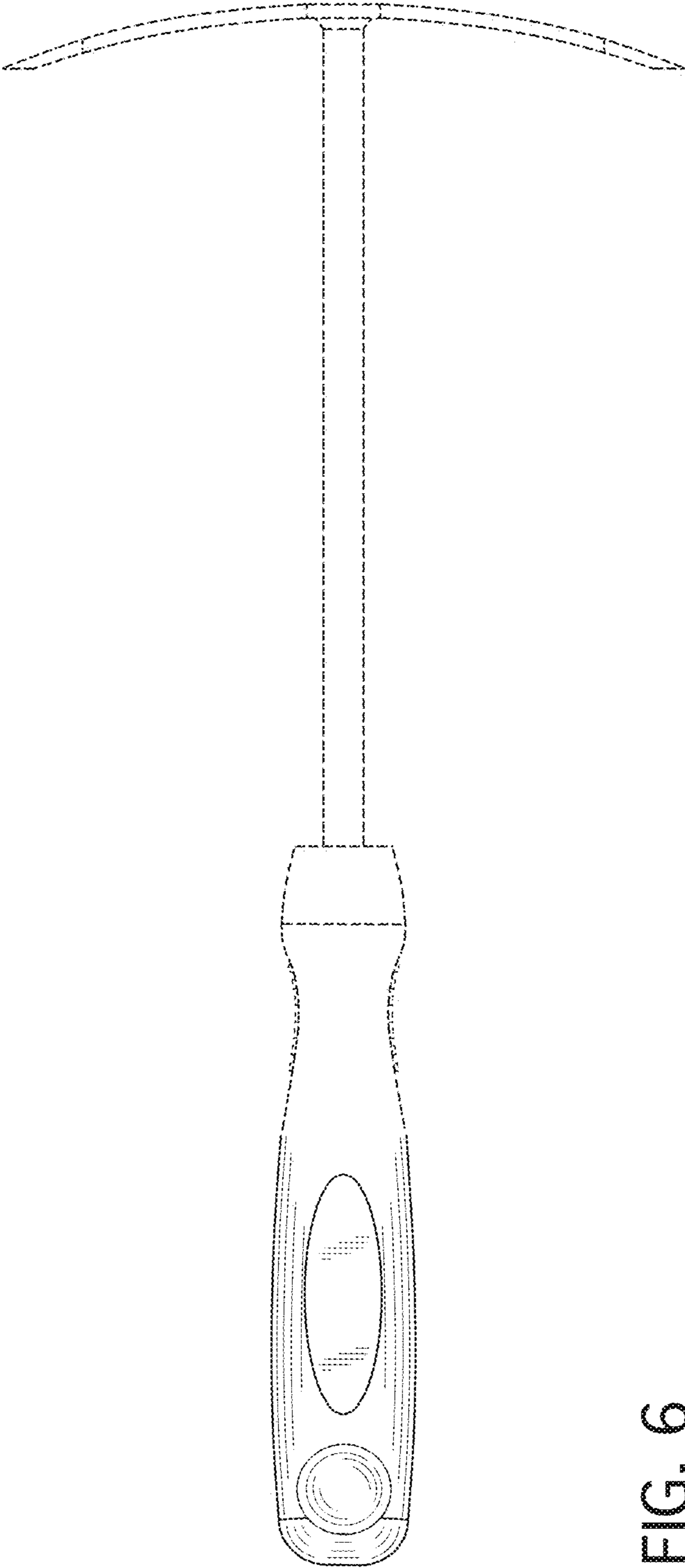


FIG. 6

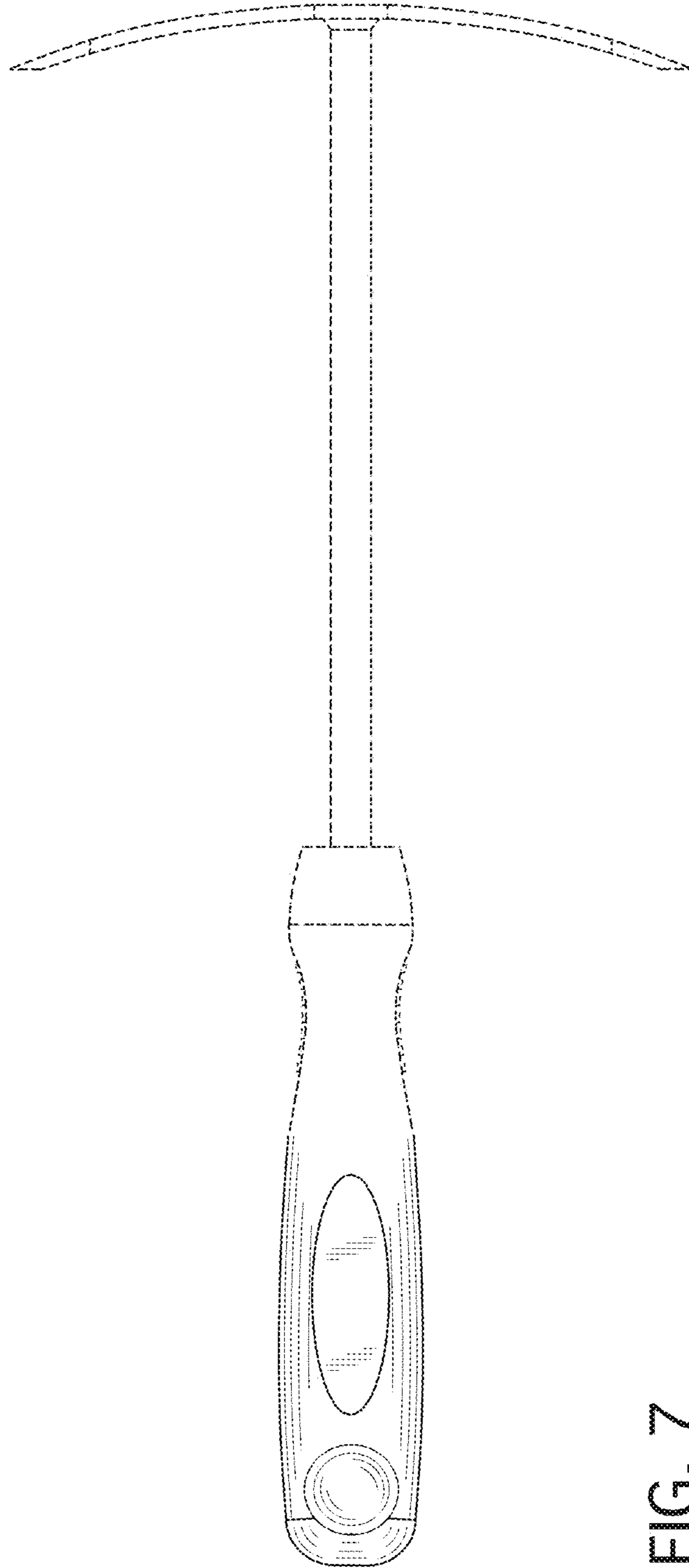


FIG. 7

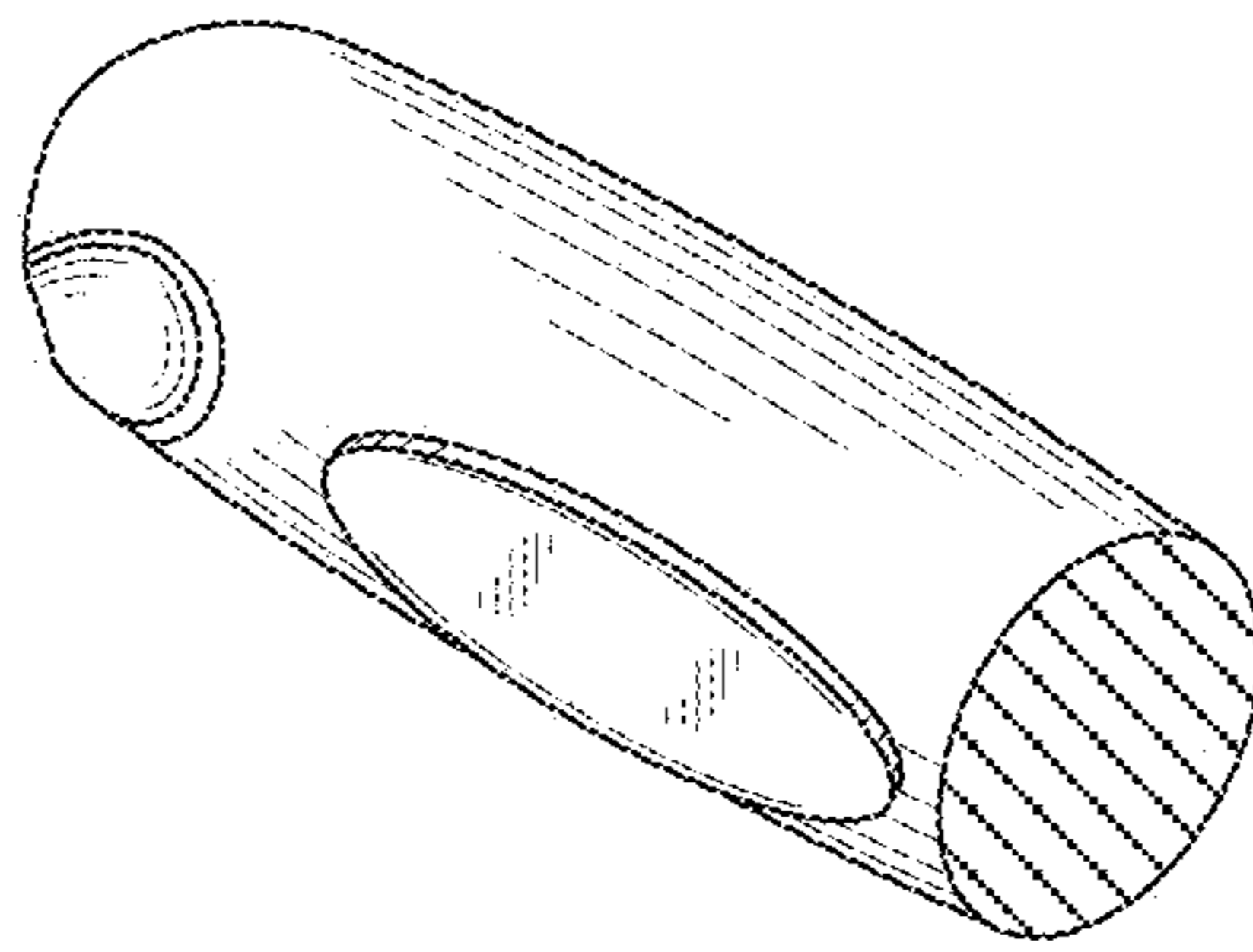


FIG. 8