



US00D715123S

(12) **United States Design Patent**
Siciliano

(10) **Patent No.:** **US D715,123 S**

(45) **Date of Patent:** **** Oct. 14, 2014**

(54) **WRAP WRENCH**

(71) Applicant: **Brett T Siciliano**, Irvine, CA (US)

(72) Inventor: **Brett T Siciliano**, Irvine, CA (US)

(**) Term: **14 Years**

(21) Appl. No.: **29/482,322**

(22) Filed: **Feb. 18, 2014**

(51) **LOC (10) Cl.** **08-03**

(52) **U.S. Cl.**
USPC **D8/68**

(58) **Field of Classification Search**
USPC D8/61, 68; 173/46, 132, 170, 171, 178,
173/217; 408/67, 117, 124, 125; 475/149;
29/243.526; 72/114, 391.8
See application file for complete search history.

(56) **References Cited**

U.S. PATENT DOCUMENTS

| | | | | |
|-------------------|---------|---------------|-------|---------|
| D345,682 S * | 4/1994 | Sasaki et al. | | D8/68 |
| D476,544 S * | 7/2003 | Ghode et al. | | D8/68 |
| D484,384 S * | 12/2003 | Ghode et al. | | D8/68 |
| D520,835 S * | 5/2006 | Aglassinger | | D8/68 |
| D524,135 S * | 7/2006 | Happ et al. | | D8/68 |
| D532,666 S * | 11/2006 | Chi | | D8/68 |
| D605,486 S * | 12/2009 | Aglassinger | | D8/68 |
| D605,487 S * | 12/2009 | Aglassinger | | D8/68 |
| D650,652 S * | 12/2011 | Aglassinger | | D8/68 |
| D676,730 S * | 2/2013 | Kubono et al. | | D8/68 |
| 2011/0011610 A1 * | 1/2011 | Welke et al. | | 173/217 |
| 2011/0147021 A1 * | 6/2011 | Schaal et al. | | 173/47 |
| 2012/0241183 A1 * | 9/2012 | Li | | 173/48 |

OTHER PUBLICATIONS

Wrapwrenchguy. "Rampage's Gym." YouTube. Nov. 21, 2011 [retrieved on Jun. 10, 2014]. Retrieved from the Internet: <URL: <https://www.youtube.com/watch?v=YU4gnLSm9d0>>.*
"Wrap Wrench—Rolls All Medical Wraps in Seconds." Aug. 1, 2013 [retrieved on Jun. 10, 2014]. Retrieved from the Internet: <URL: <http://wrapwrenchmed.com/#>>.*
"Wrap Wrench." Dec. 7, 2011 [retrieved on Jun. 10, 2014]. Retrieved from the Internet: <URL: http://www.revgear.com/product/wrap-wrench/hand_wraps>.*

* cited by examiner

Primary Examiner — Philip S Hyder

Assistant Examiner — Darlington Ly

(74) *Attorney, Agent, or Firm* — Grant's Law firm; Allan Grant

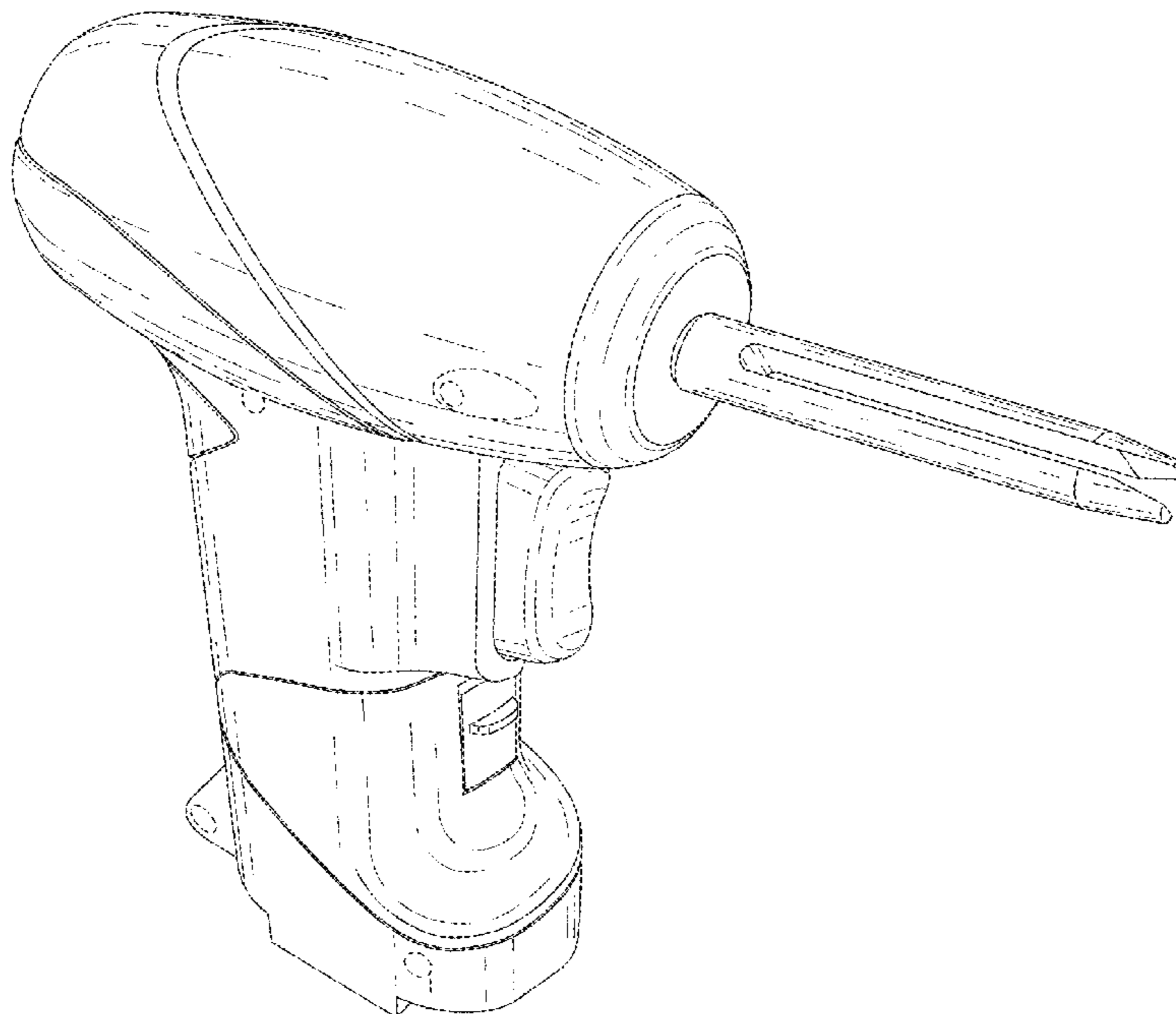
(57) **CLAIM**

I claim the ornamental design for a wrap wrench, as shown and as described.

DESCRIPTION

FIG. 1 is the opposing side view of the wrap wrench.
FIG. 2 is the front view of the wrap wrench.
FIG. 3 is a back view of the wrap wrench.
FIG. 4 is a side view of the wrap wrench.
FIG. 5 is the other side view of the wrap wrench.
FIG. 6 is a top view of the wrap wrench.
FIG. 7 is bottom view of the wrap wrench; and,
FIG. 8 is a perspective view of the wrap wrench with a wrap positioned on the wrench bit.
The broken lines shown in the drawings illustrate an environmental wrap and portions of the wrap wrench that forms no part of claimed design.

1 Claim, 6 Drawing Sheets



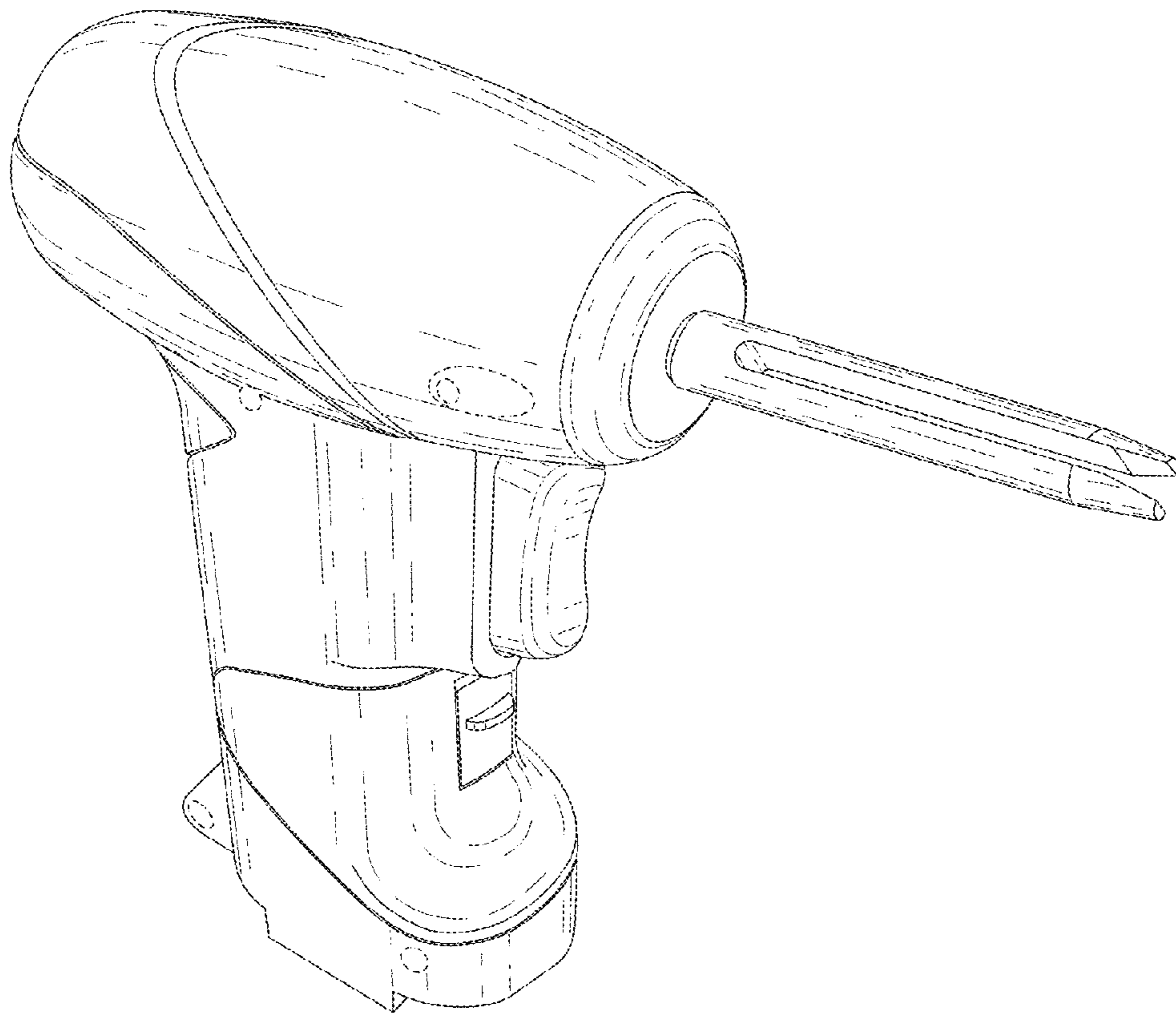


Fig. 1

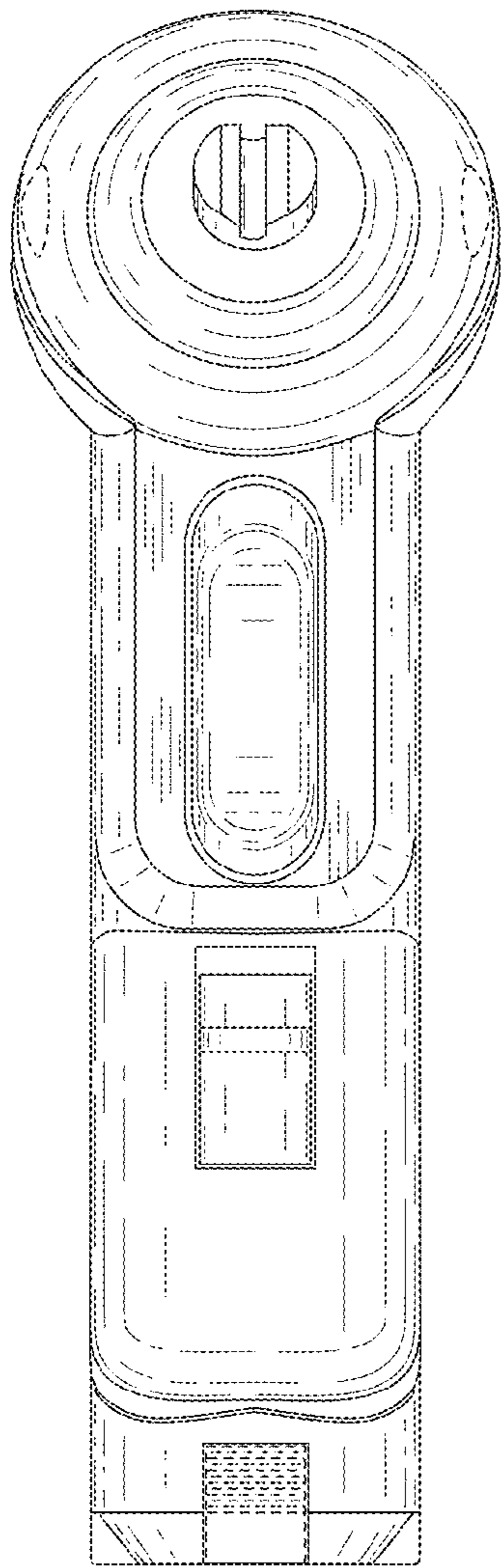


Fig. 2

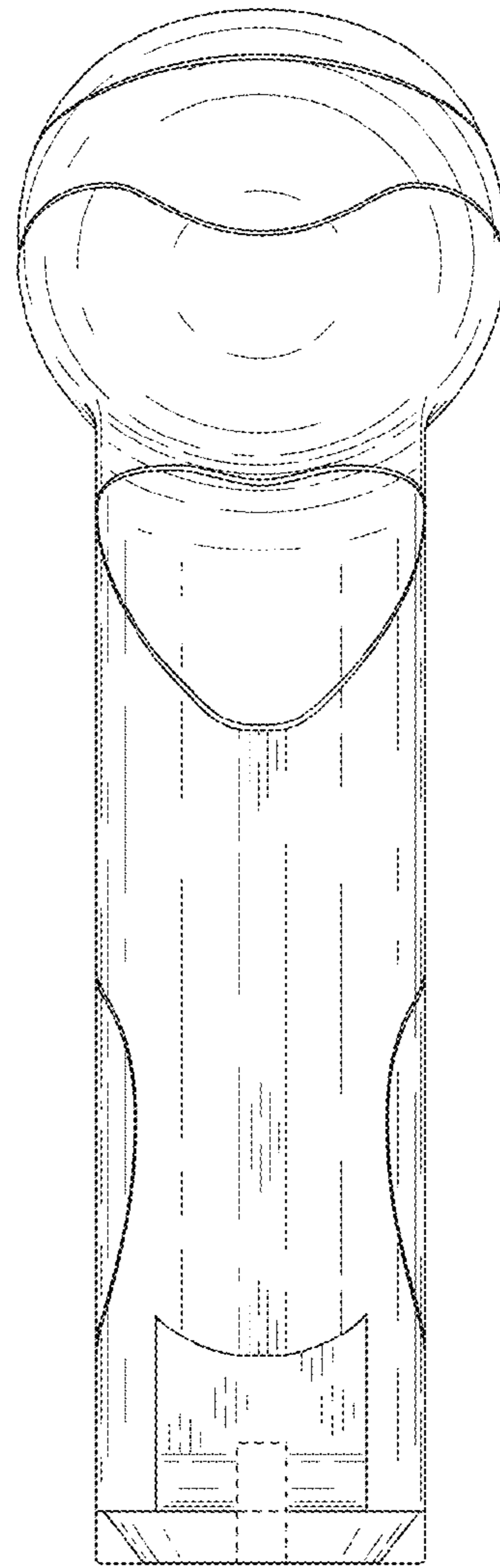


Fig. 3

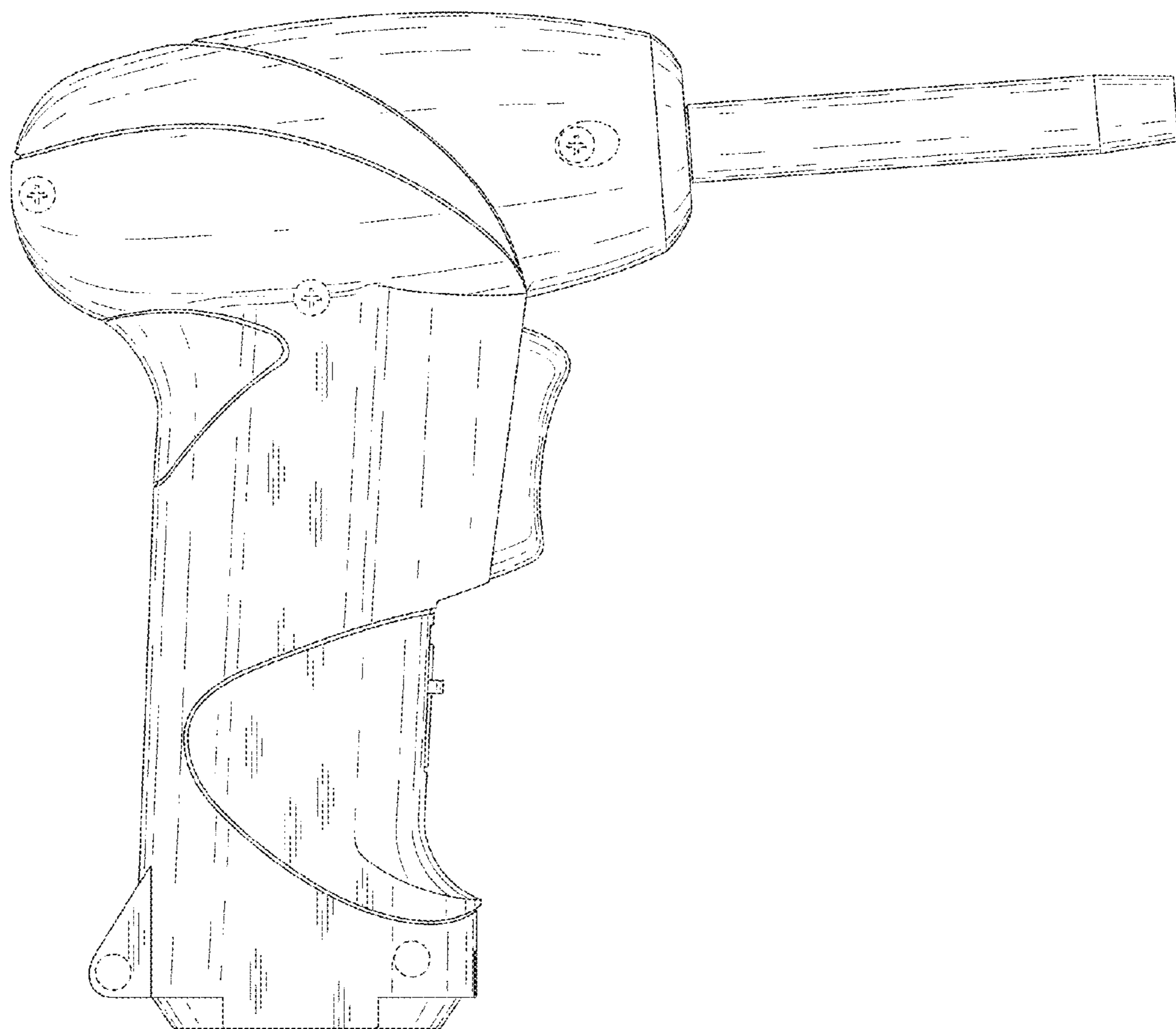


Fig. 4

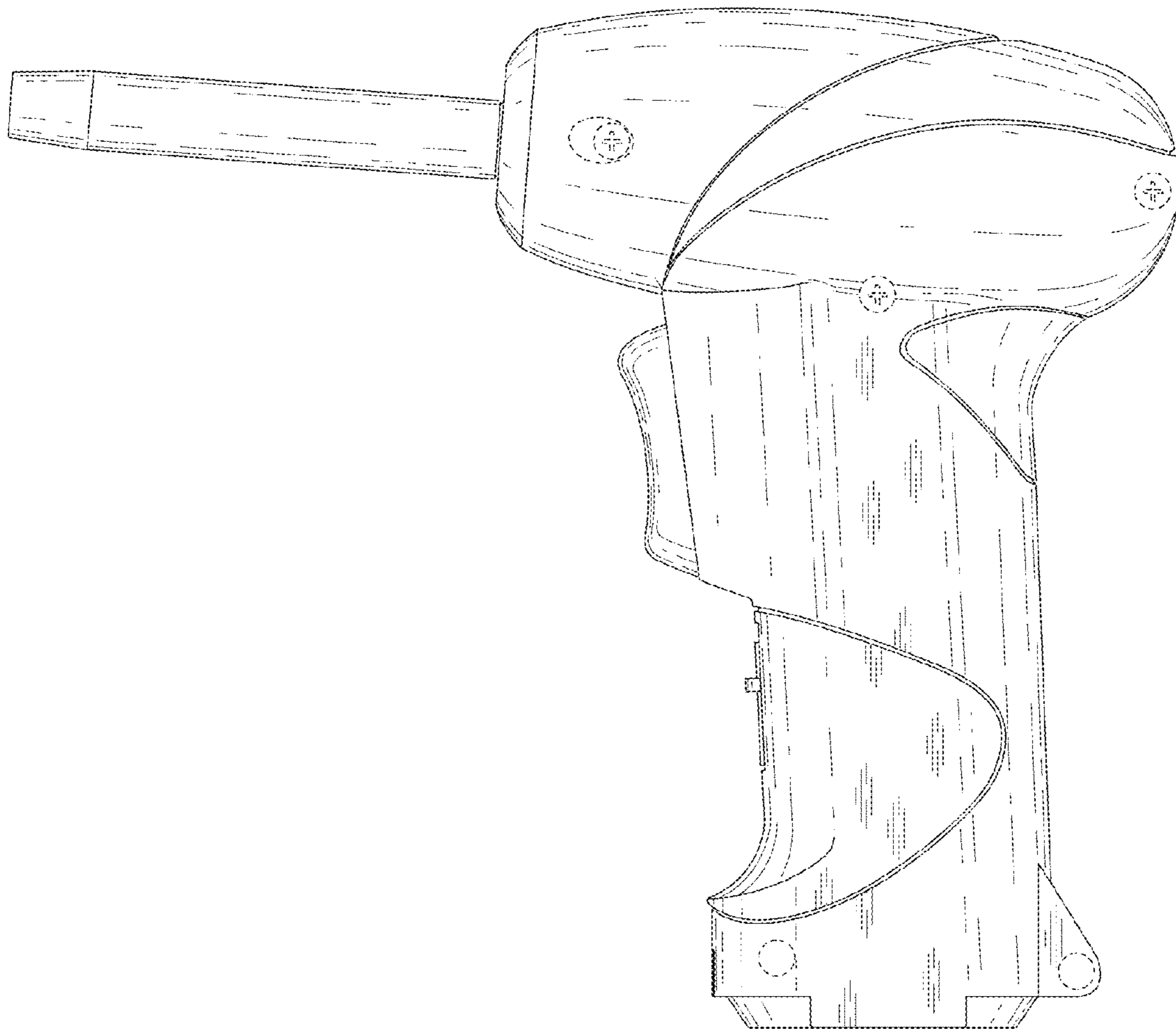


Fig. 5

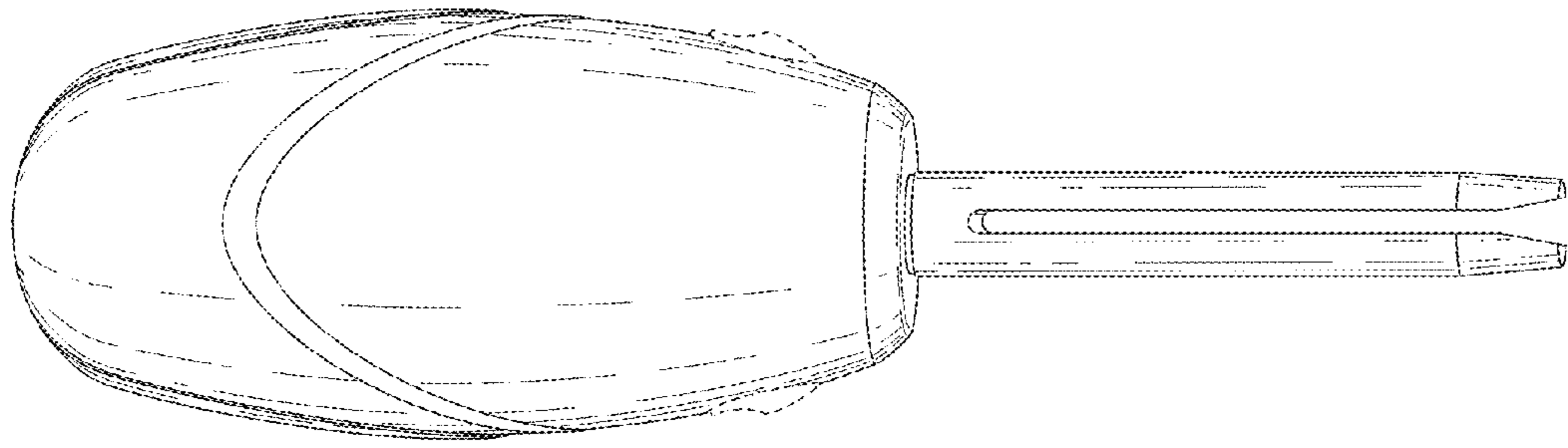


Fig. 6

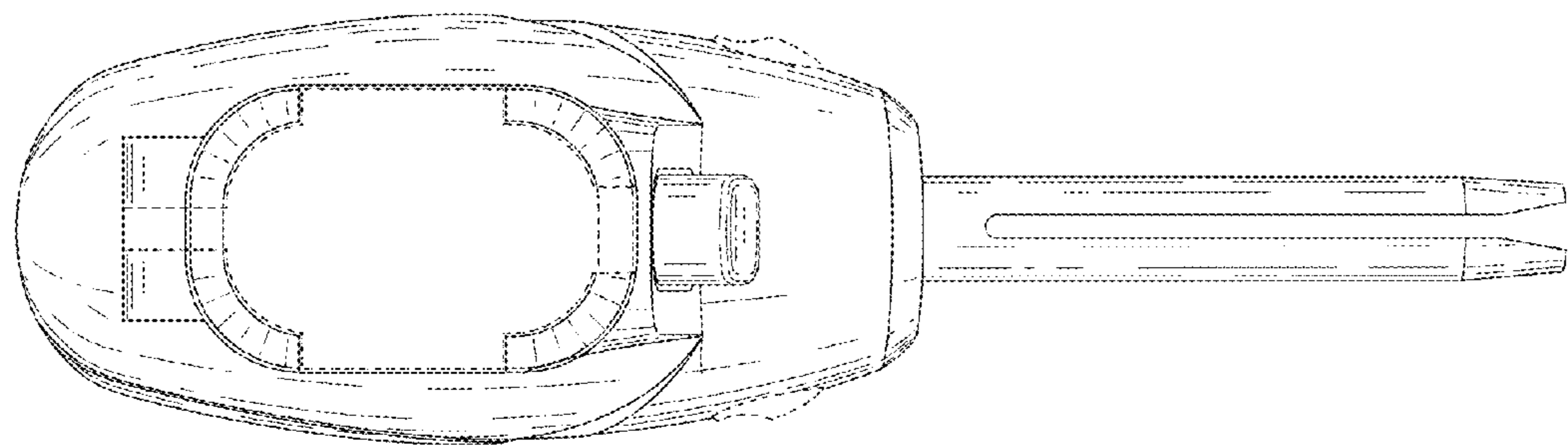


Fig. 7

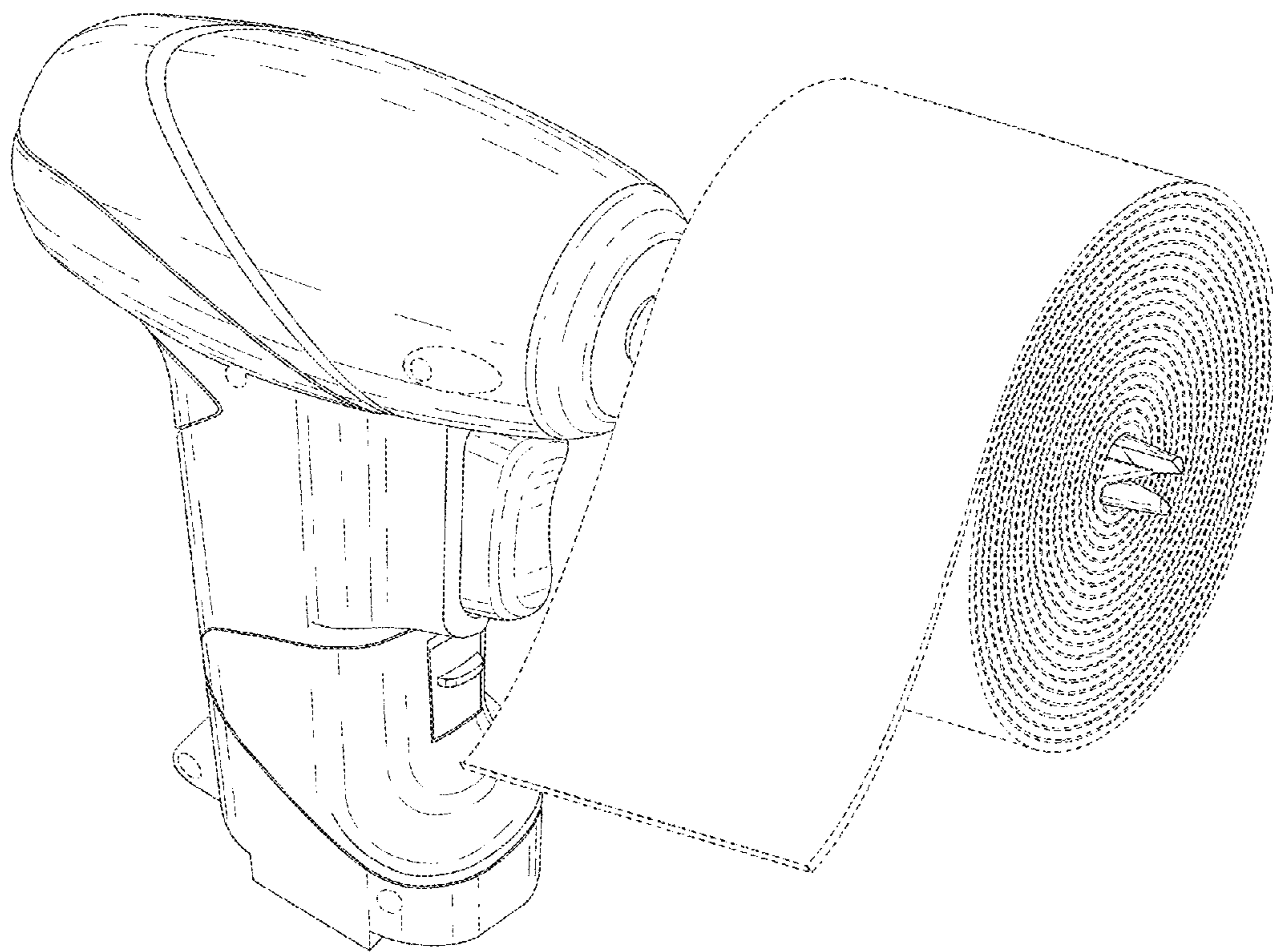


Fig. 8