



US00D715116S

(12) **United States Design Patent**  
**Säde et al.**

(10) **Patent No.:** **US D715,116 S**  
(45) **Date of Patent:** **\*\* \*Oct. 14, 2014**

(54) **PRUNER**

(71) Applicant: **Fiskars Brands Finland Oy Ab**, Billnäs (FI)

(72) Inventors: **Heli Säde**, Billnäs (FI); **Petteri Masalin**, Helsinki (FI); **Sami Lyytikäinen**, Lohja (FI); **Olli-Pekka Vänntilä**, Lohja (FI)

(73) Assignee: **Fiskars Brands Finland Oy Ab**, Billnäs (FI)

(\*) Notice: This patent is subject to a terminal disclaimer.

(\*\*) Term: **14 Years**

(21) Appl. No.: **29/473,742**

(22) Filed: **Nov. 25, 2013**

**Related U.S. Application Data**

(62) Division of application No. 29/426,223, filed on Jul. 2, 2012, now Pat. No. Des. 706,590.

(30) **Foreign Application Priority Data**

Jan. 4, 2012 (WO) ..... DM/077 406

(51) **LOC (10) Cl.** ..... **08-01**

(52) **U.S. Cl.**  
USPC ..... **D8/5**

(58) **Field of Classification Search**

CPC ..... A01G 3/02; A01G 3/08; A01G 3/0251;  
A01G 3/0255; B26B 13/26; B26B 17/00

USPC ..... D8/4, 5, 52, 57-58; 30/251-252,  
30/261-262, 266, 287, 131, 135

See application file for complete search history.

(56) **References Cited**

U.S. PATENT DOCUMENTS

D301,537 S 6/1989 Pittaway  
D301,538 S 6/1989 Pittaway

(Continued)

FOREIGN PATENT DOCUMENTS

EM 000368519-0001 5/2005  
EM 001090724-0010 2/2009

OTHER PUBLICATIONS

Official Action for Russian Application No. 2012502191 including English translation, 7 pages.

*Primary Examiner* — Sheryl Lane

(74) *Attorney, Agent, or Firm* — Foley & Lardner LLP

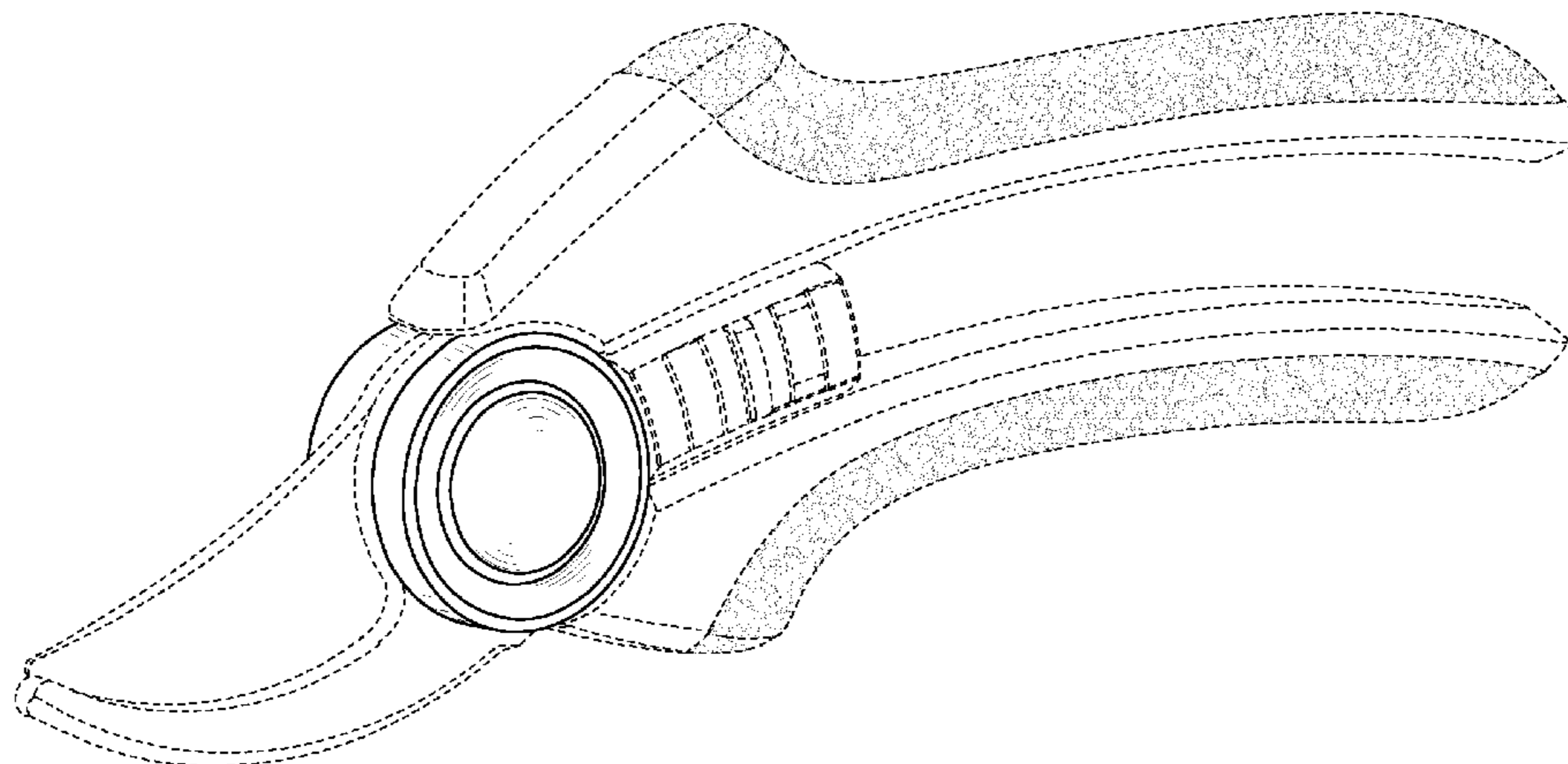
(57) **CLAIM**

We claim the ornamental design for a pruner, as shown and described.

**DESCRIPTION**

FIG. 1 is a front perspective view of the claimed design. FIG. 2 is a front view of the claimed design of FIG. 1; FIG. 3 is a rear view of the claimed design of FIG. 1; FIG. 4 is a top view of the claimed design of FIG. 1; FIG. 5 is a bottom view of the claimed design of FIG. 1; FIG. 6 is a left side view of the claimed design of FIG. 1; and, FIG. 7 is a right side view of the claimed design of FIG. 1. The broken lines represent portions of the pruner and form no part of the claimed design.

**1 Claim, 5 Drawing Sheets**



(56)

**References Cited**

U.S. PATENT DOCUMENTS

|                |         |                   |        |
|----------------|---------|-------------------|--------|
| D305,090 S     | 12/1989 | Collins et al.    |        |
| D324,470 S *   | 3/1992  | Grove .....       | D8/5   |
| 5,243,762 A *  | 9/1993  | Orthey .....      | 30/254 |
| D341,526 S     | 11/1993 | Clivio            |        |
| 5,263,254 A *  | 11/1993 | Orthey .....      | 30/254 |
| 5,426,857 A    | 6/1995  | Linden            |        |
| 5,697,159 A    | 12/1997 | Linden            |        |
| D438,071 S     | 2/2001  | Deville           |        |
| D439,117 S     | 3/2001  | Deville           |        |
| D439,812 S *   | 4/2001  | Staton .....      | D8/5   |
| D463,227 S     | 9/2002  | Choi              |        |
| 6,513,248 B2   | 2/2003  | Linden et al.     |        |
| D472,433 S     | 4/2003  | Richwine et al.   |        |
| D499,316 S     | 12/2004 | Tatic             |        |
| 6,829,828 B1   | 12/2004 | Cech et al.       |        |
| D501,378 S     | 2/2005  | Tatic             |        |
| D501,379 S     | 2/2005  | Lipscomb et al.   |        |
| D503,595 S     | 4/2005  | Lipscomb et al.   |        |
| D547,139 S *   | 7/2007  | Shan .....        | D8/5   |
| D552,435 S     | 10/2007 | Bohlman et al.    |        |
| D557,086 S     | 12/2007 | Lipscomb et al.   |        |
| D571,169 S     | 6/2008  | Pollock et al.    |        |
| D576,468 S     | 9/2008  | Lipscomb et al.   |        |
| D580,235 S     | 11/2008 | Wu                |        |
| D584,121 S     | 1/2009  | Fancelli          |        |
| D585,250 S *   | 1/2009  | Lee et al. ....   | D8/5   |
| D585,251 S     | 1/2009  | Lee et al.        |        |
| D595,548 S     | 7/2009  | Lipscomb et al.   |        |
| 7,640,667 B2   | 1/2010  | Pollock et al.    |        |
| D628,031 S     | 11/2010 | Stokes et al.     |        |
| D628,032 S     | 11/2010 | Stokes et al.     |        |
| D630,067 S     | 1/2011  | Block et al.      |        |
| D648,192 S     | 11/2011 | Wu                |        |
| D648,605 S     | 11/2011 | Lee               |        |
| D649,420 S     | 11/2011 | Cunningham et al. |        |
| D651,053 S     | 12/2011 | Roberts et al.    |        |
| D651,487 S     | 1/2012  | Roberts et al.    |        |
| D652,272 S     | 1/2012  | Atnip et al.      |        |
| 8,109,003 B2 * | 2/2012  | Liu .....         | 30/236 |
| D655,990 S     | 3/2012  | Block et al.      |        |
| D680,829 S     | 4/2013  | Nelson et al.     |        |
| D698,214 S *   | 1/2014  | Sade et al. ....  | D8/5   |

\* cited by examiner

FIGURE 1

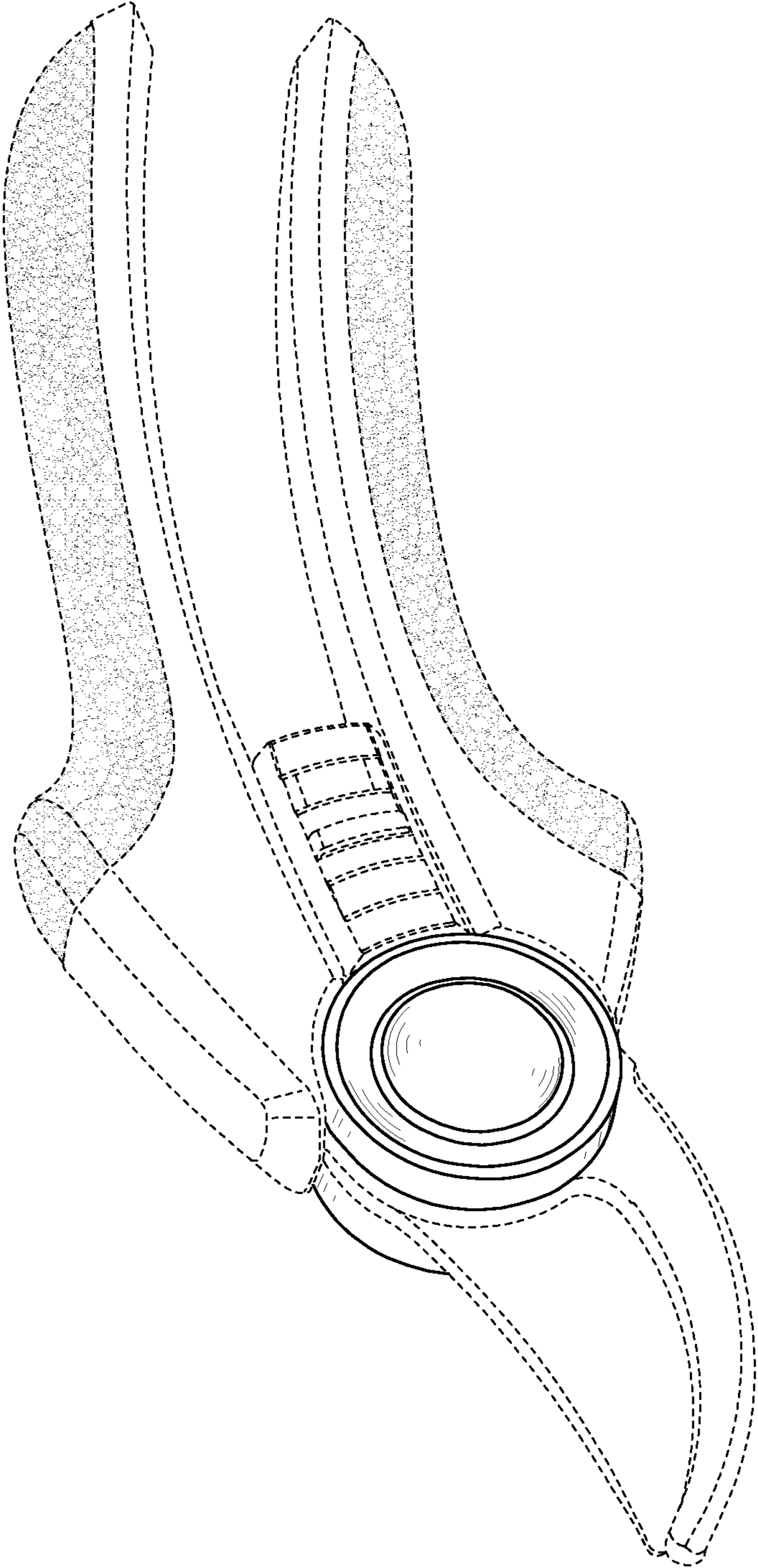


FIGURE 2

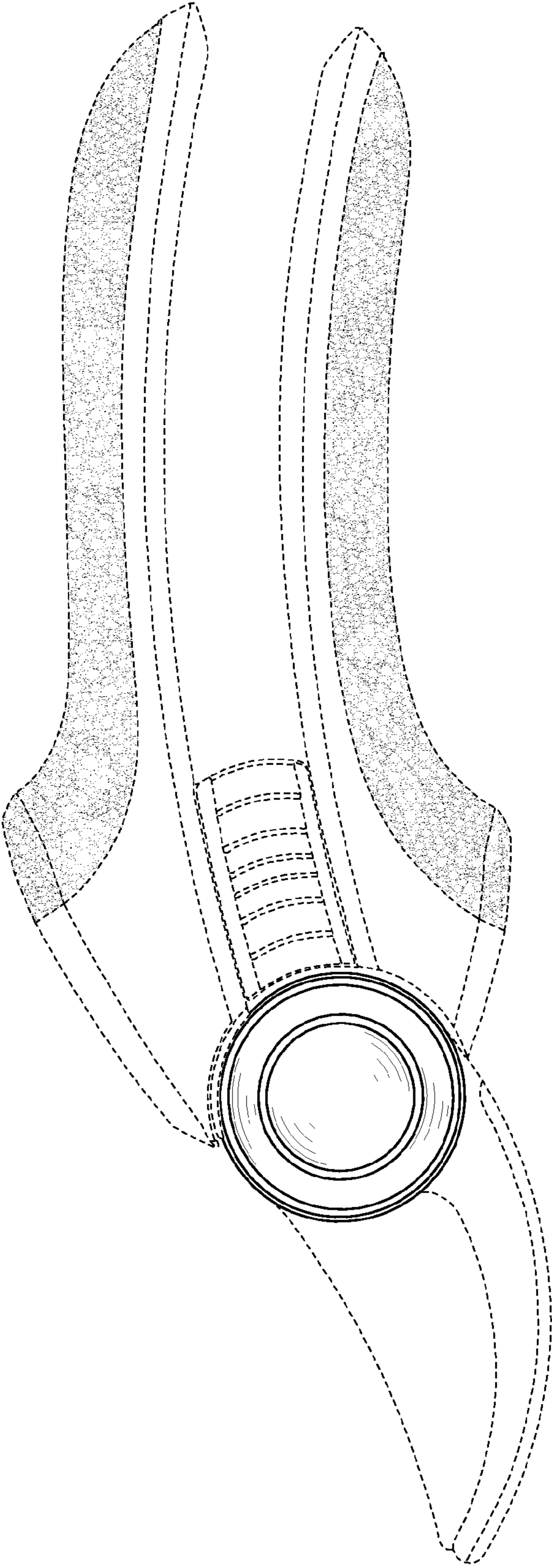


FIGURE 3

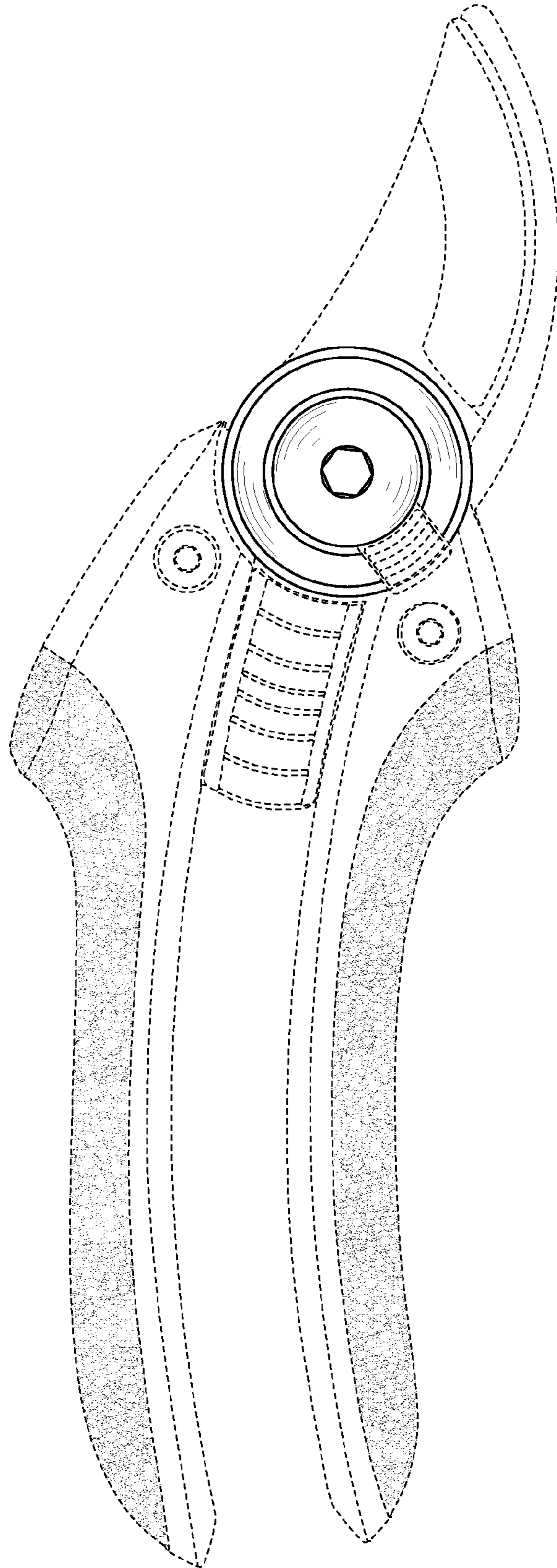


FIGURE 4

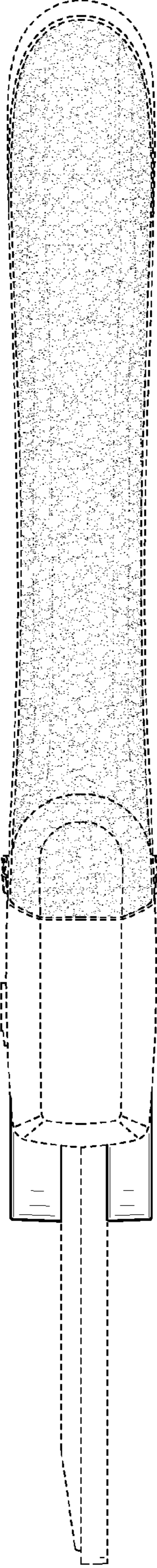


FIGURE 5

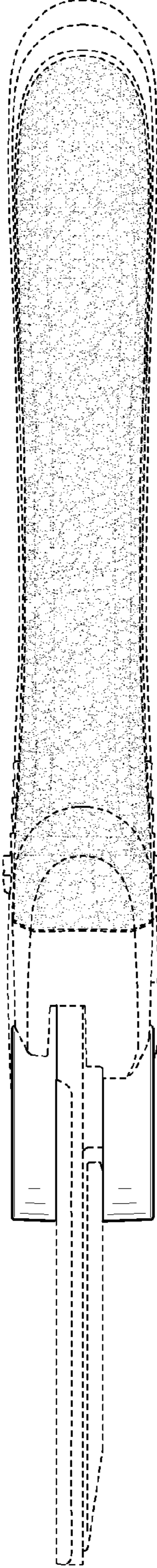


FIGURE 7

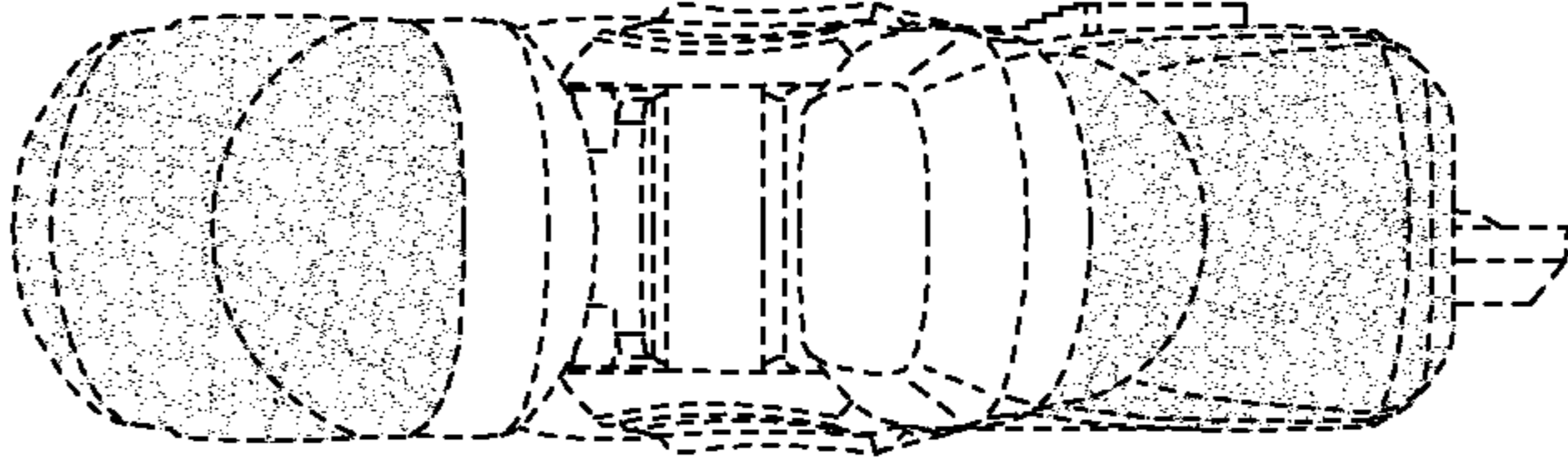


FIGURE 6

