



US00D715114S

(12) **United States Design Patent**
Lyytikäinen et al.

(10) **Patent No.:** **US D715,114 S**
(45) **Date of Patent:** **** Oct. 14, 2014**

(54) **GARDEN TOOL**

(71) Applicant: **Fiskars Brands Finland Oy Ab**, Billnäs (FI)

(72) Inventors: **Sami Lyytikäinen**, Lohja (FI);
Olli-Pekka Väänttilä, Lohja (FI);
Markus Onnela, Helsinki (FI)

(73) Assignee: **Fiskars Brands Finland Oy Ab**, Billnäs (FI)

(**) Term: **14 Years**

(21) Appl. No.: **29/466,546**

(22) Filed: **Sep. 9, 2013**

(30) **Foreign Application Priority Data**

Mar. 13, 2013 (EM) 002201814-0004
Mar. 13, 2013 (EM) 002201814-0005
Mar. 13, 2013 (EM) 002201814-0006

(51) **LOC (10) Cl.** **08-01**

(52) **U.S. Cl.**
USPC **D8/5**

(58) **Field of Classification Search**
CPC A01G 3/08; A01G 3/02; A01G 3/0251;
A01G 3/0255; B26B 13/26; B26B 17/00
USPC 30/251-252, 261-262, 266, 287, 131,
30/135

See application file for complete search history.

(56) **References Cited**

U.S. PATENT DOCUMENTS

3,187,430 A * 6/1965 Wallace et al. 30/252
D206,483 S * 12/1966 Sharp D8/5
5,267,400 A 12/1993 Danube et al.
D344,220 S 2/1994 Wensley et al.
D354,205 S 1/1995 Wensley et al.

D393,401 S * 4/1998 Clivio D8/5
6,493,943 B1 12/2002 Linden
D483,235 S * 12/2003 Deville D8/5
6,789,324 B2 9/2004 Linden et al.
D622,112 S * 8/2010 Goetz et al. D8/5
8,136,252 B2 3/2012 Linden et al.
D671,809 S * 12/2012 Huang D8/5
D679,559 S * 4/2013 Masalin et al. D8/5

OTHER PUBLICATIONS

U.S. Appl. No. 29/424,457, filed Jun. 12, 2012, Masalin et al.
U.S. Appl. No. 29/456,730, filed Jun. 3, 2013, Fiskars Brands Finland Oy Ab.

* cited by examiner

Primary Examiner — Sheryl Lane

(74) *Attorney, Agent, or Firm* — Foley & Lardner LLP

(57) **CLAIM**

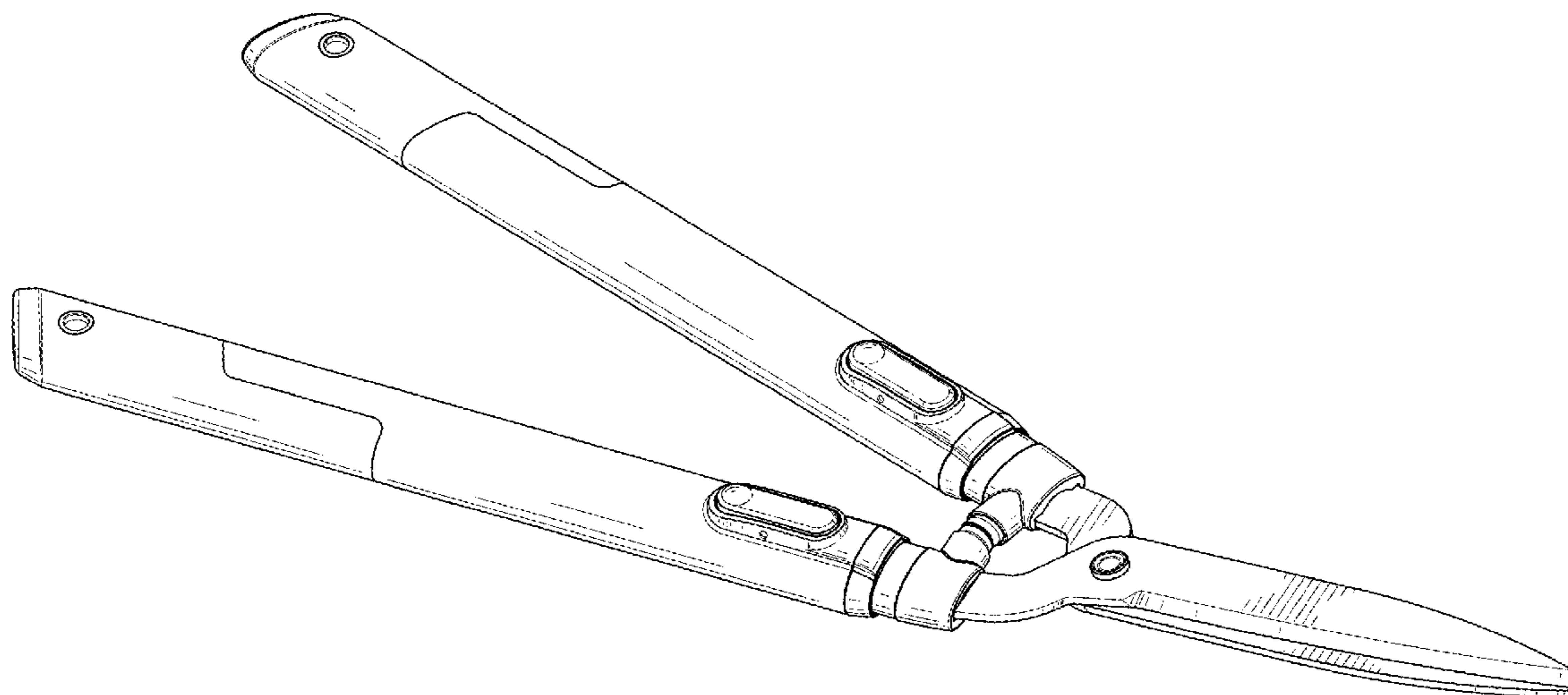
We claim the ornamental design for a garden tool, as shown and described.

DESCRIPTION

FIG. 1 is a top perspective view of the claimed design;
FIG. 2 is a bottom perspective view of FIG. 1;
FIG. 3 is a top view of FIG. 1;
FIG. 4 is a bottom view of FIG. 1;
FIG. 5 is a left side view of FIG. 1;
FIG. 6 is a right side view of FIG. 1;
FIG. 7 is a rear view of FIG. 1;
FIG. 8 is a front view of FIG. 1;
FIG. 9 is a top perspective view of FIG. 1 with handles in an extended position; and,
FIG. 10 is a bottom view of FIG. 4 with the handles in an extended position.

The ornamental design which is claimed is shown in solid lines in the drawings. The broken lines in the drawings are for illustrative purposes only and form no part of the claimed design.

1 Claim, 8 Drawing Sheets



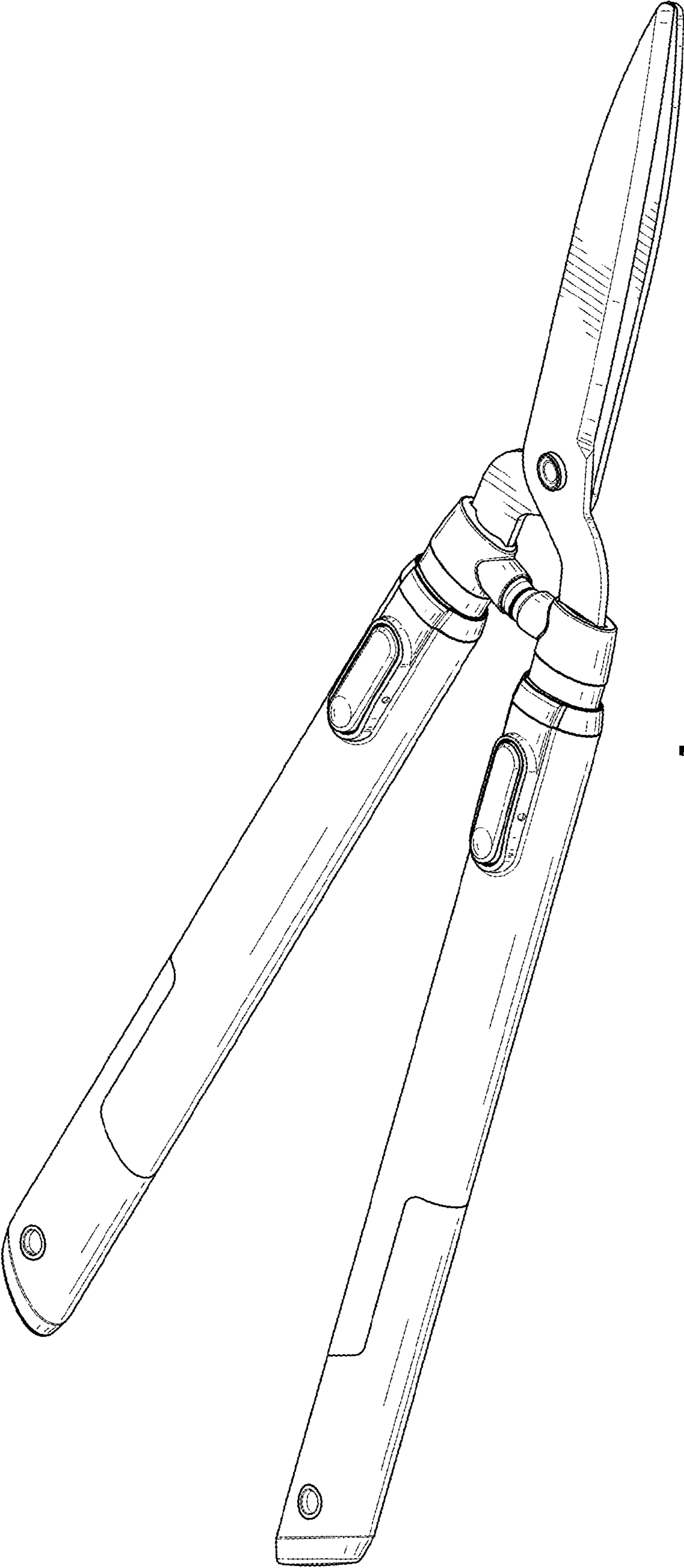


FIG. 1

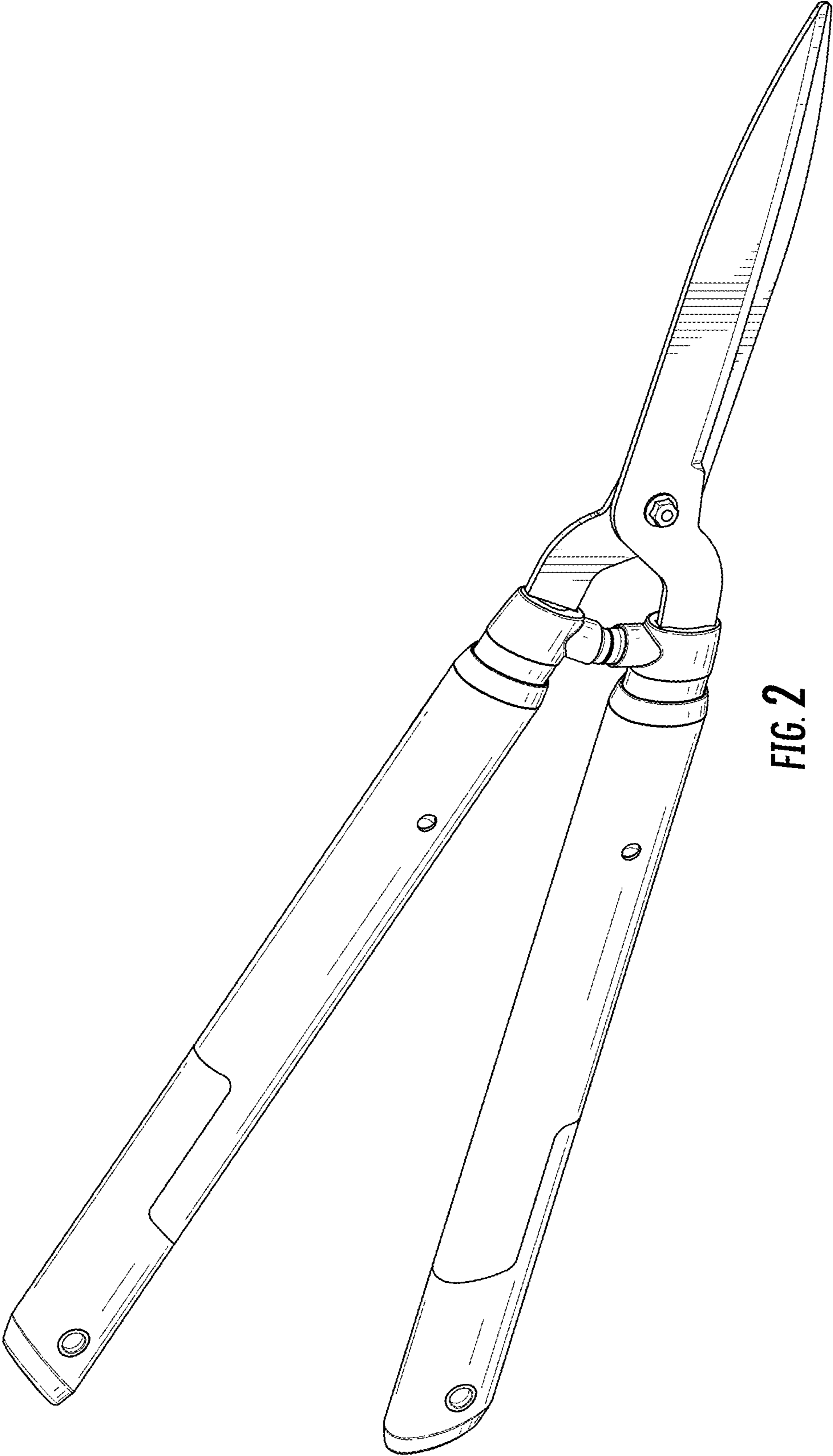


FIG. 2

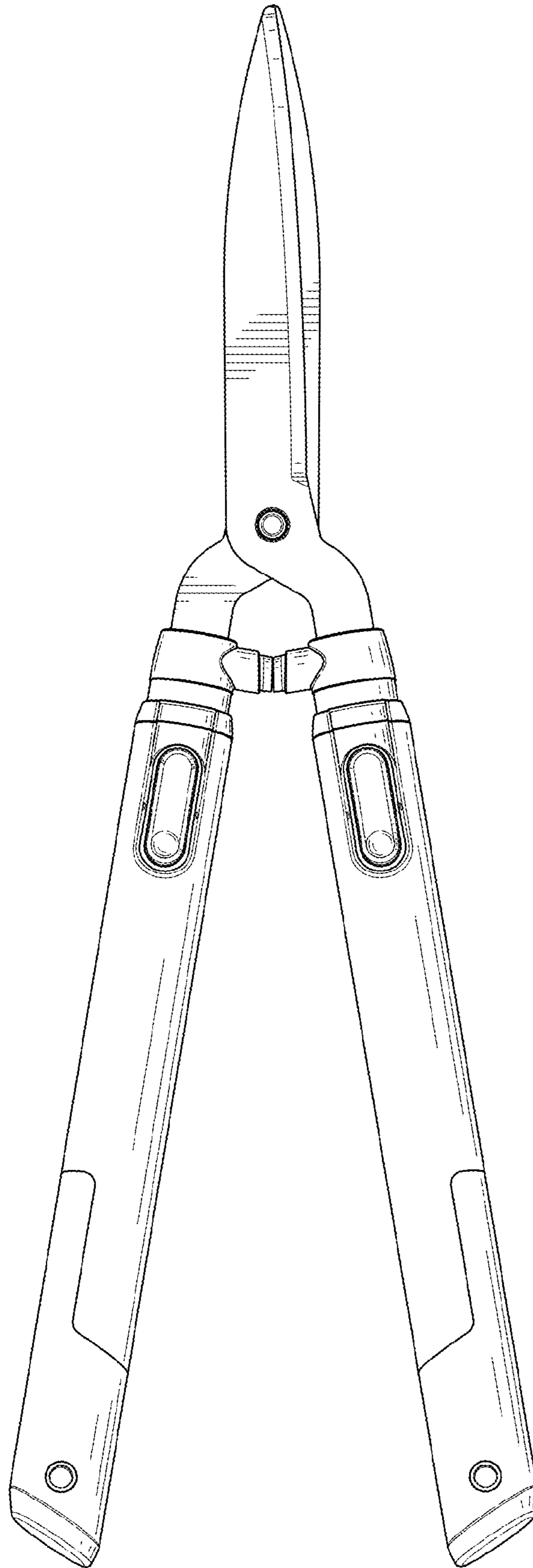


FIG. 3

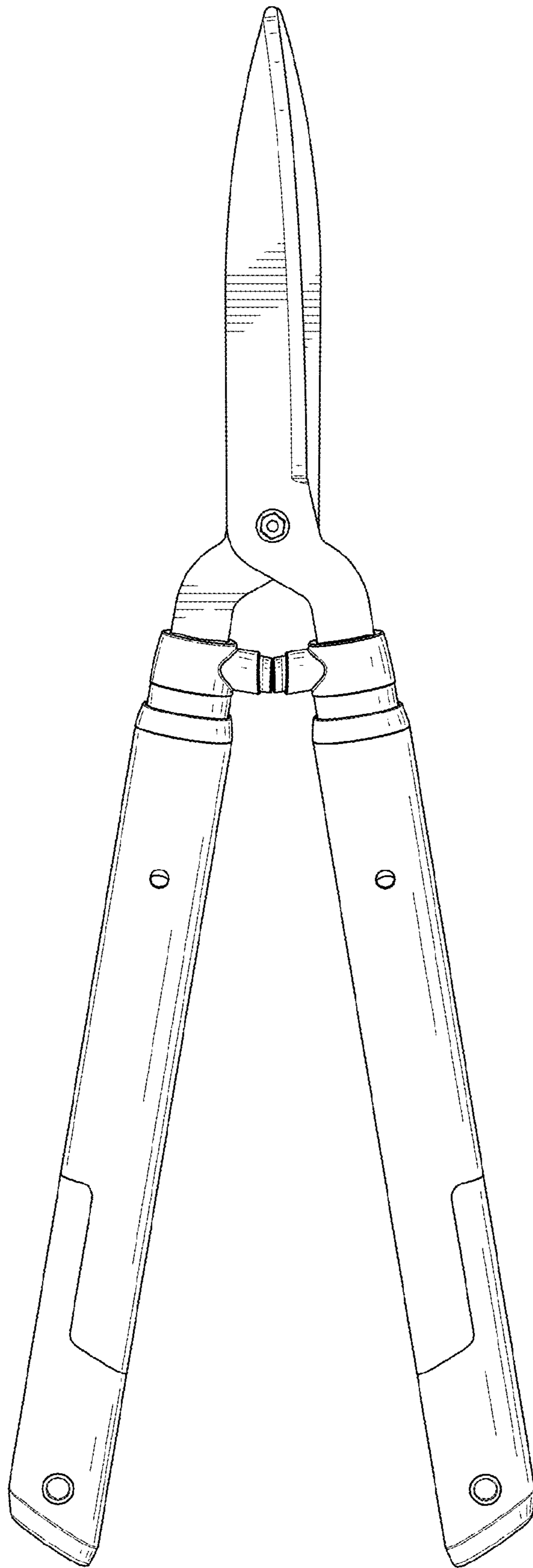


FIG. 4

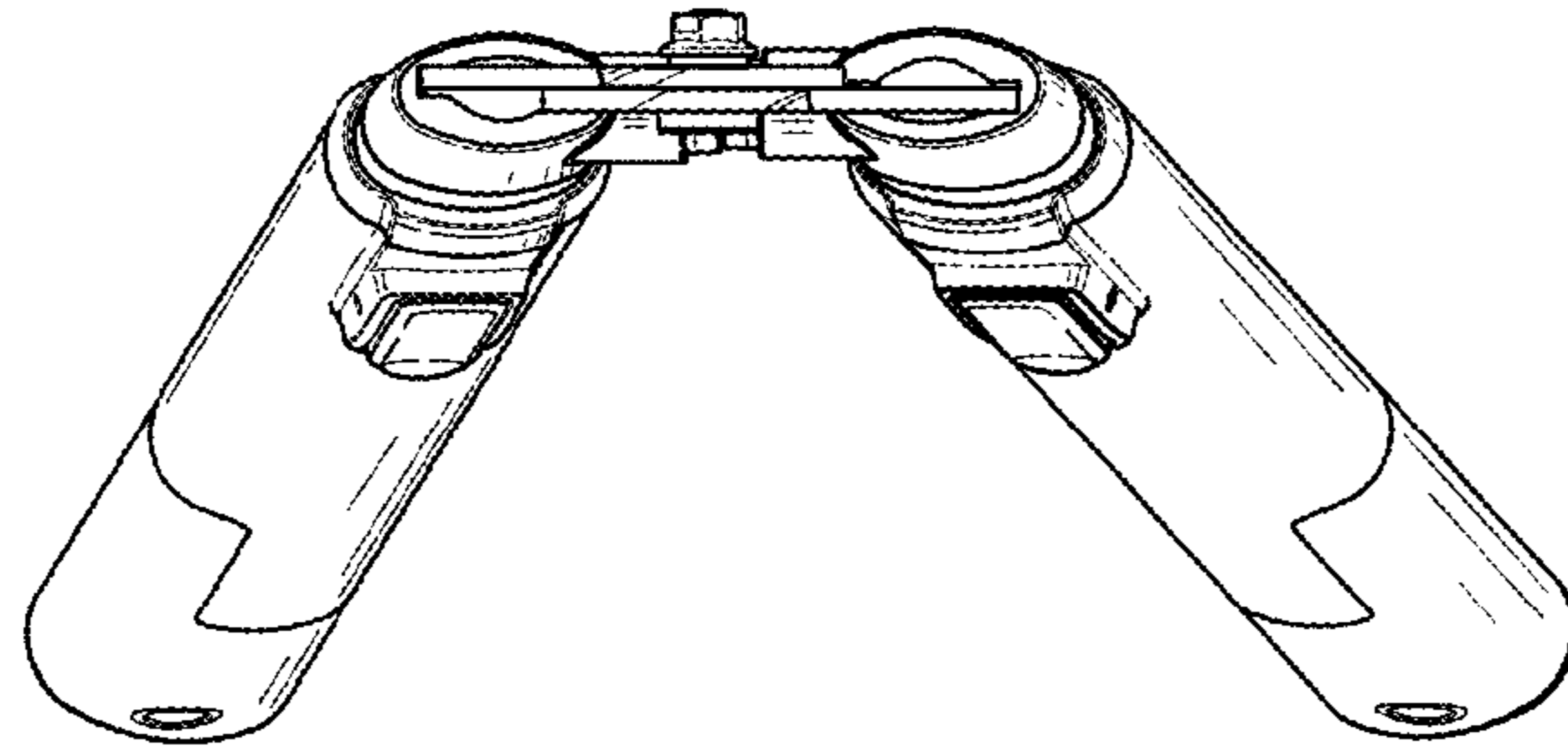


FIG. 6

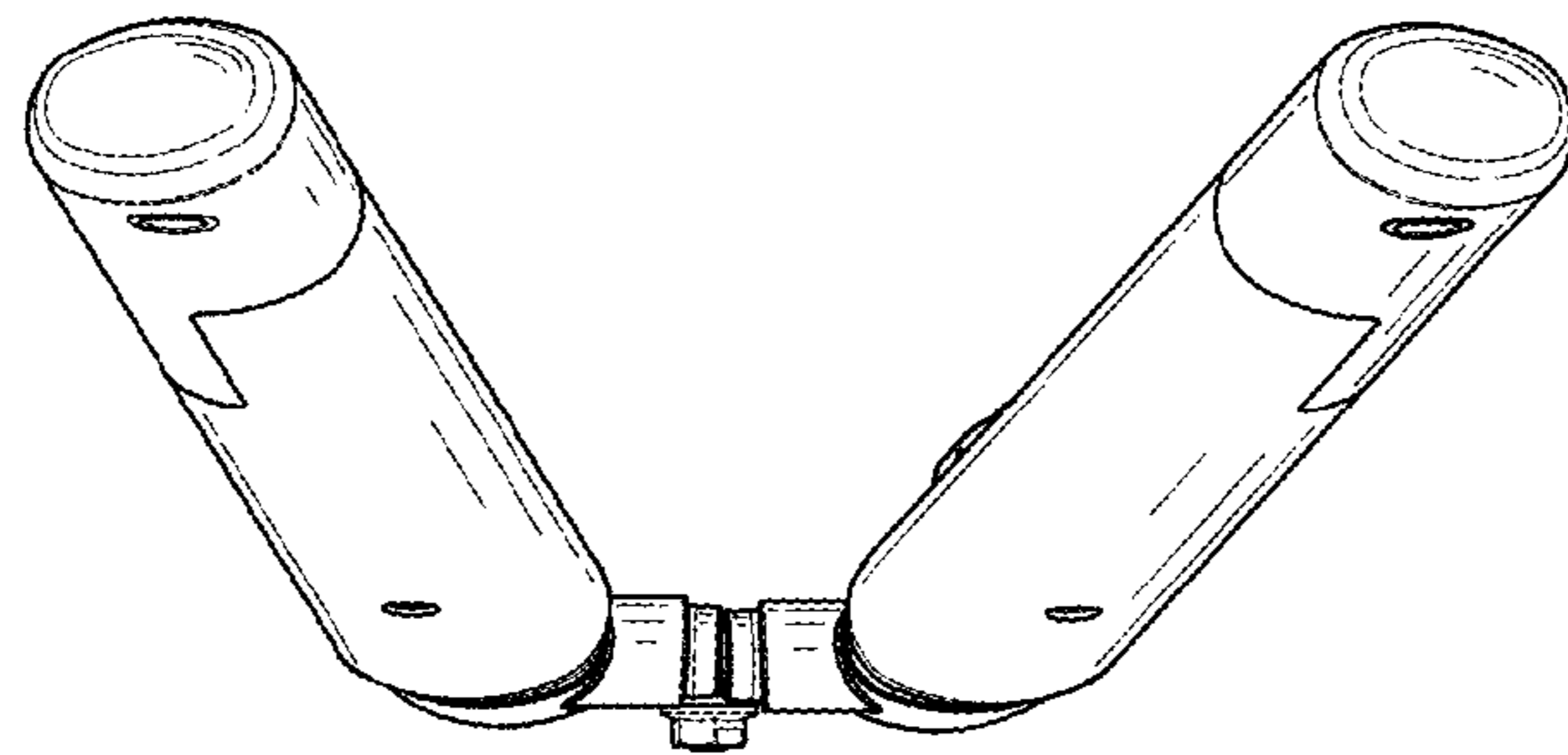


FIG. 5

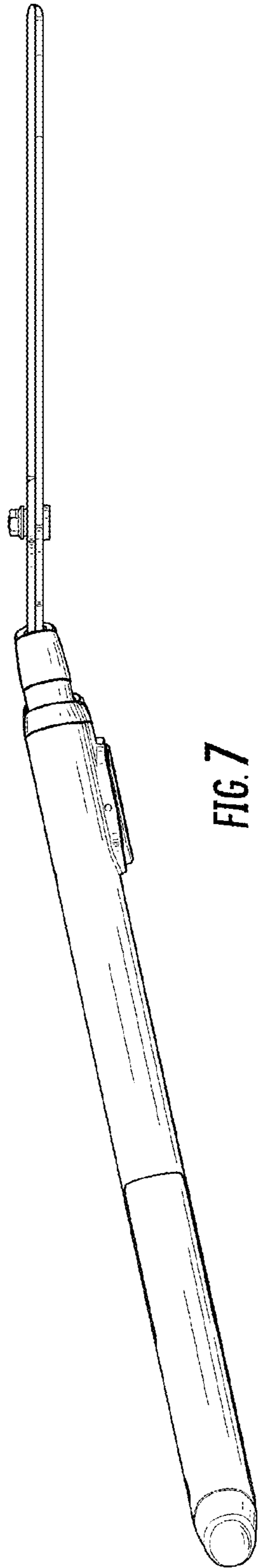


FIG. 7

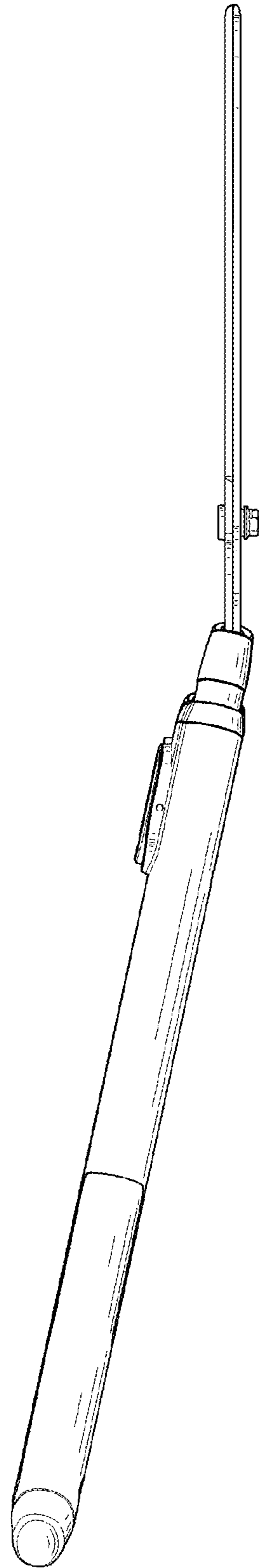


FIG. 8

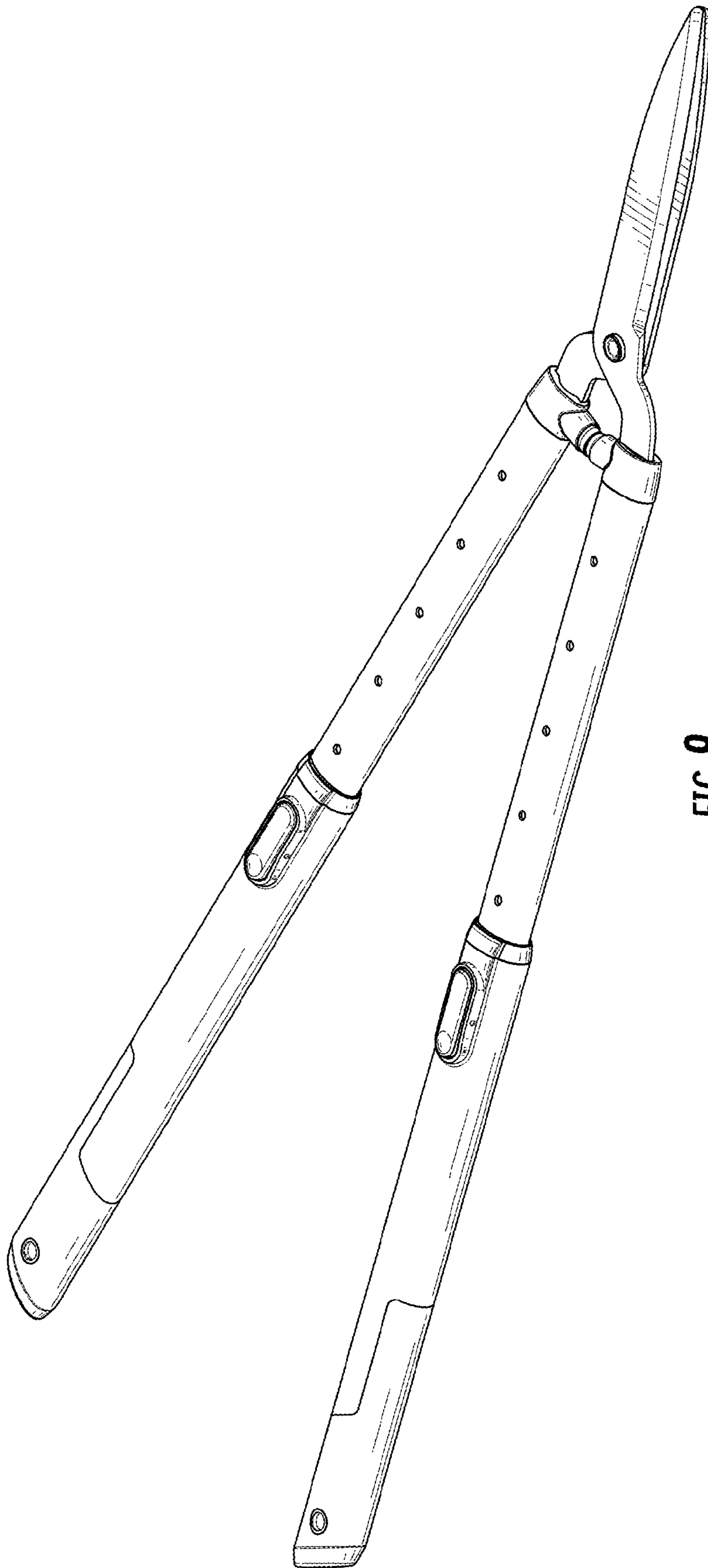


FIG. 9

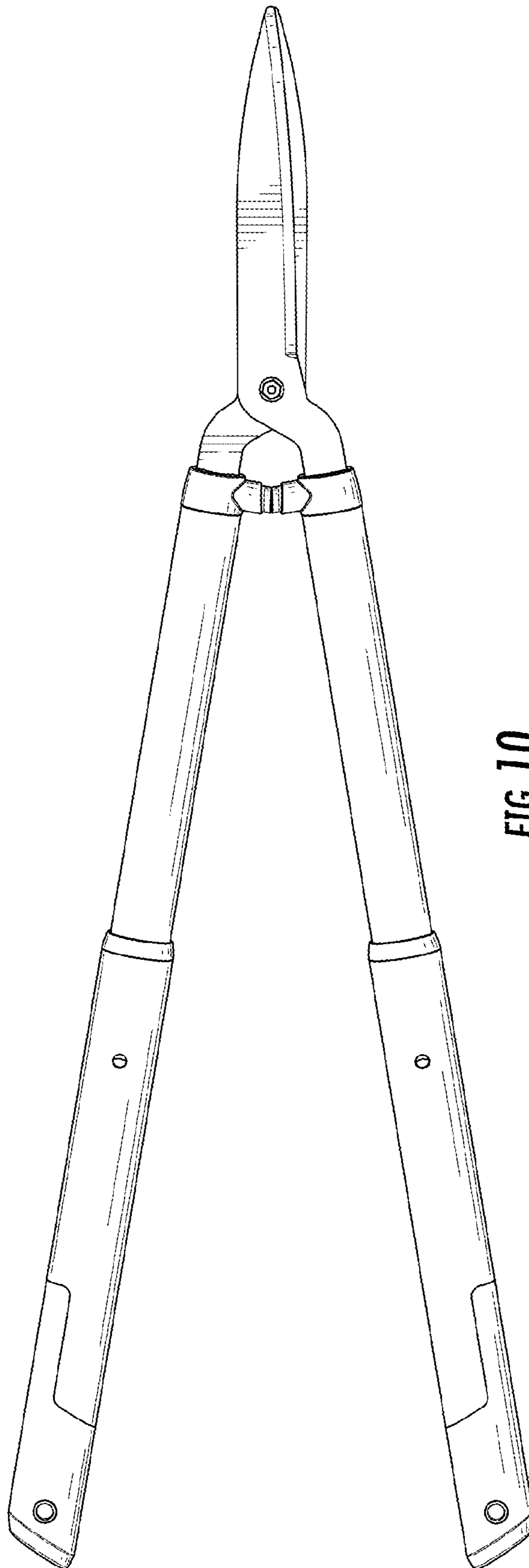


FIG. 10