



US00D715113S

(12) **United States Design Patent**
Masalin et al.

(10) **Patent No.:** **US D715,113 S**

(45) **Date of Patent:** **** Oct. 14, 2014**

(54) **HERB PRUNER**

(56) **References Cited**

(71) Applicant: **Fiskars Brands Finland Oy Ab**, Billnäs (FI)

U.S. PATENT DOCUMENTS

(72) Inventors: **Petteri Masalin**, Helsinki (FI); **Jouni Salojärvi**, Turku (FI); **Sami Lyytikäinen**, Lohja (FI); **Olli-Pekka Vänttilä**, Lohja (FI)

D266,478 S	*	10/1982	Bladen	D8/5
D301,538 S		6/1989	Pittaway		
D305,090 S		12/1989	Collins et al.		
D336,222 S		6/1993	Wensley et al.		
D336,412 S		6/1993	Wensley et al.		
D341,526 S		11/1993	Clivio		
D342,652 S		12/1993	Wensley et al.		
D354,890 S		1/1995	Concari et al.		
D361,700 S		8/1995	Birkholz		
D369,531 S		5/1996	Birkholz		
D377,588 S		1/1997	Birkholz		
D427,859 S	*	7/2000	Deville	D8/5

(73) Assignee: **Fiskars Brands Finland Oy Ab**, Billnäs (FI)

(Continued)

(**) Term: **14 Years**

OTHER PUBLICATIONS

(21) Appl. No.: **29/466,545**

U.S. Appl. No. 29/426,223, filed Jul. 2, 2012, Sade et al.

(22) Filed: **Sep. 9, 2013**

(Continued)

(30) **Foreign Application Priority Data**

Primary Examiner — Sheryl Lane

Mar. 13, 2013	(EM)	002201814-0007
Mar. 13, 2013	(EM)	002201814-0008
Mar. 13, 2013	(EM)	002201814-0009

(74) *Attorney, Agent, or Firm* — Foley & Lardner LLP

(51) **LOC (10) Cl.** **08-01**

(57) **CLAIM**

(52) **U.S. Cl.**

We claim the ornamental design for an herb pruner, as shown and described.

USPC **D8/5**

DESCRIPTION

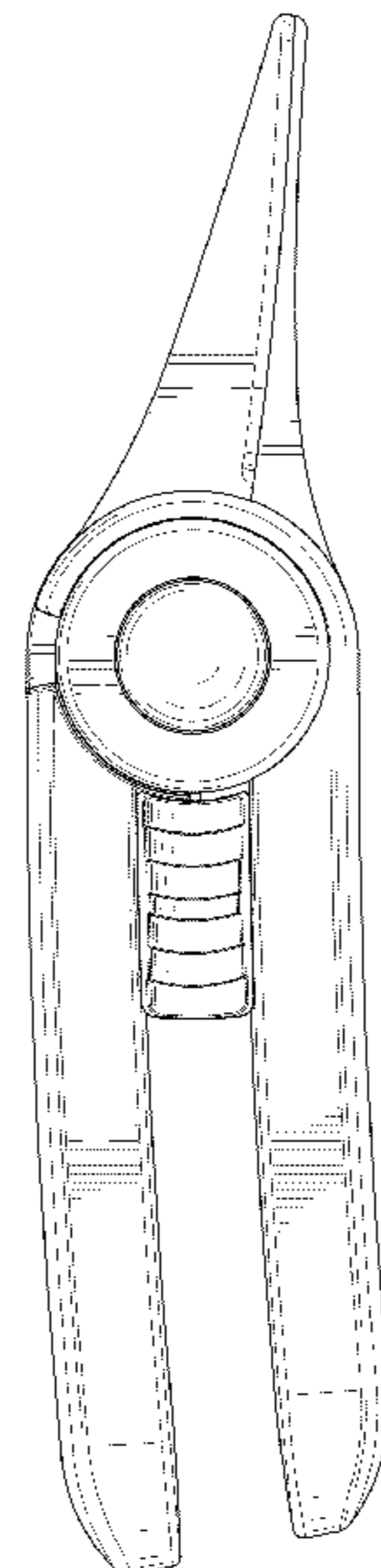
(58) **Field of Classification Search**

CPC A01B 3/08; A01B 3/02; A01B 3/0251; A01B 3/0255; B26B 13/26; B26B 17/00
USPC D8/4, 5, 52, 57-58; 30/251-252, 30/261-262, 266, 287, 131, 135

FIG. 1 is a bottom rear perspective view of the claimed design;
FIG. 2 is a top front perspective view of FIG. 1;
FIG. 3 is a top rear perspective view of FIG. 1;
FIG. 4 is a rear elevation view of FIG. 1;
FIG. 5 is a front elevation view of FIG. 1;
FIG. 6 is a bottom view of FIG. 1;
FIG. 7 is a top view of FIG. 1;
FIG. 8 is a right side view of the embodiment of FIG. 1; and,
FIG. 9 is a left side view of the embodiment of FIG. 1.

See application file for complete search history.

1 Claim, 7 Drawing Sheets



(56)

References Cited

U.S. PATENT DOCUMENTS

D431,761 S * 10/2000 Deville D8/5
 D438,071 S 2/2001 Deville
 D439,117 S 3/2001 Deville
 D458,816 S * 6/2002 Meyerratken D8/5
 D463,227 S 9/2002 Choi
 D469,323 S 1/2003 Linden
 D472,433 S 4/2003 Richwine et al.
 D474,946 S * 5/2003 Huang D8/5
 D499,316 S 12/2004 Tatic
 D501,378 S 2/2005 Tatic
 D501,379 S 2/2005 Lipscomb et al.
 D503,595 S 4/2005 Lipscomb et al.
 D552,435 S 10/2007 Bohlman et al.
 D584,121 S 1/2009 Fancelli
 D585,251 S 1/2009 Lee et al.

D628,031 S 11/2010 Stokes et al.
 D628,032 S 11/2010 Stokes et al.
 D648,192 S 11/2011 Wu
 D648,605 S 11/2011 Lee
 D649,420 S 11/2011 Cunningham et al.
 D651,053 S 12/2011 Roberts et al.
 D651,487 S 1/2012 Roberts et al.
 D652,272 S 1/2012 Atnip et al.
 D655,990 S 3/2012 Block et al.
 8,220,163 B2 7/2012 Linden et al.
 D680,829 S 4/2013 Nelson et al.
 2010/0043238 A1 2/2010 Linden et al.

OTHER PUBLICATIONS

U.S. Appl. No. 29/456,733, filed Jun. 3, 2013, Fiskars Brands Finland Oy Ab.

* cited by examiner

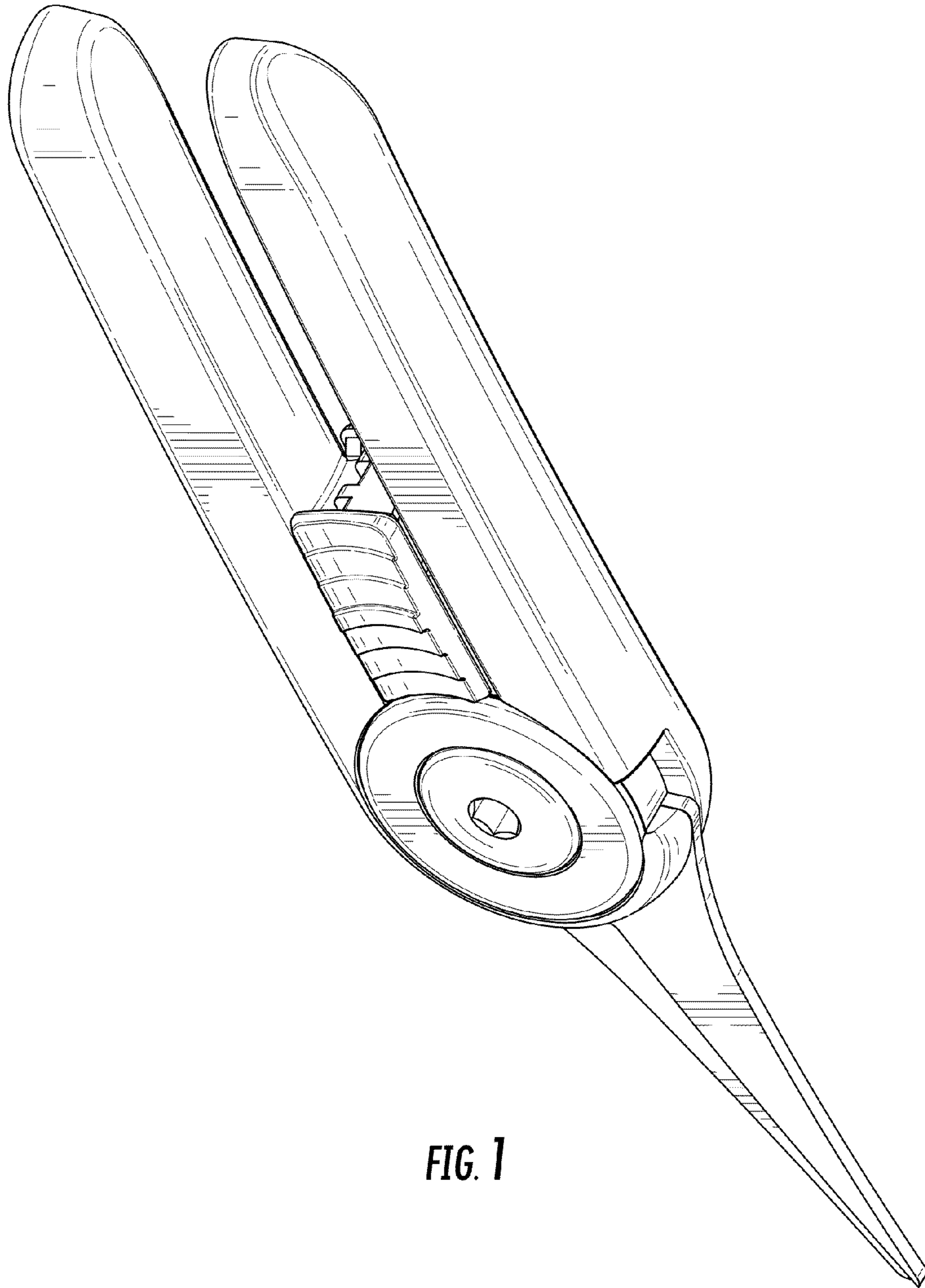


FIG. 1

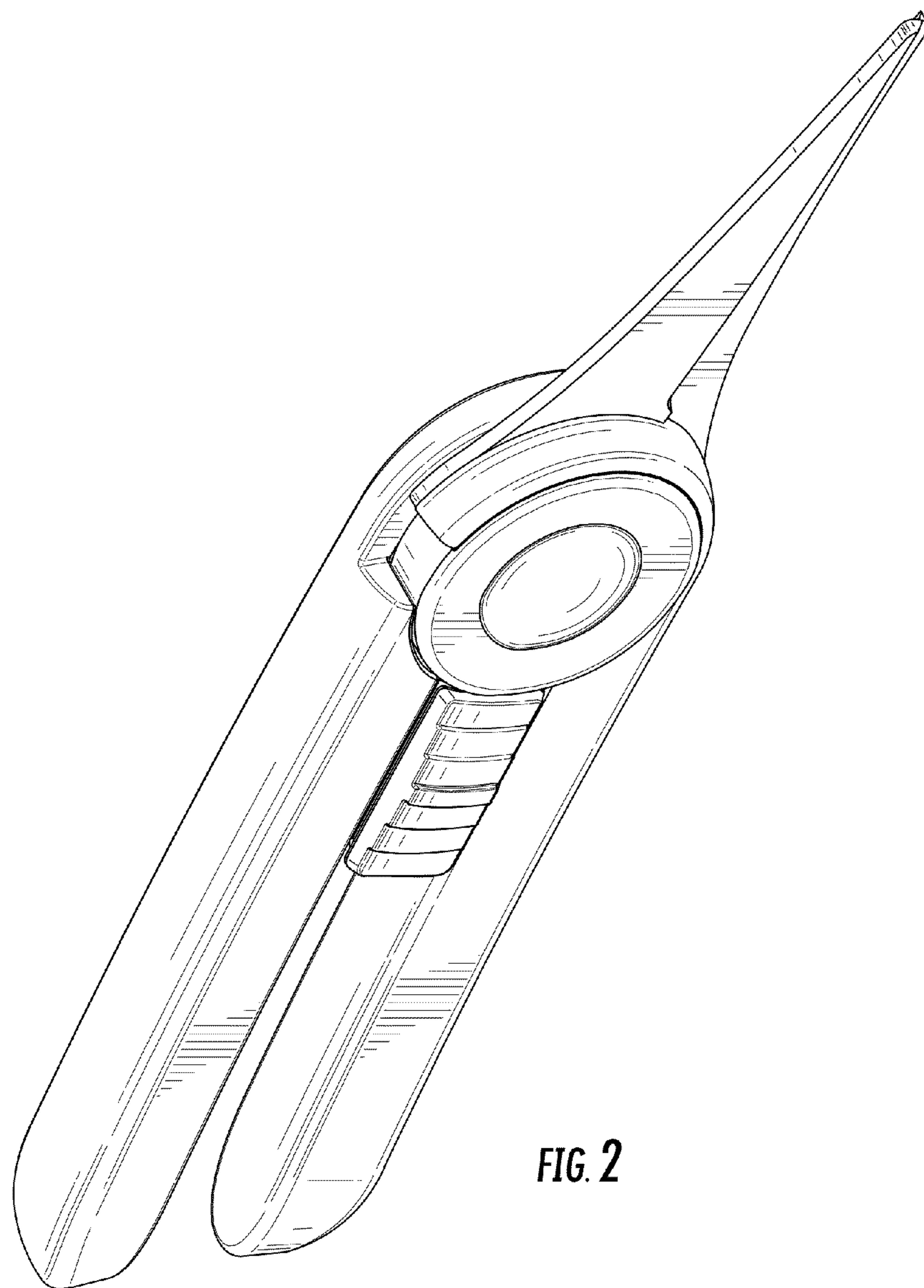


FIG. 2

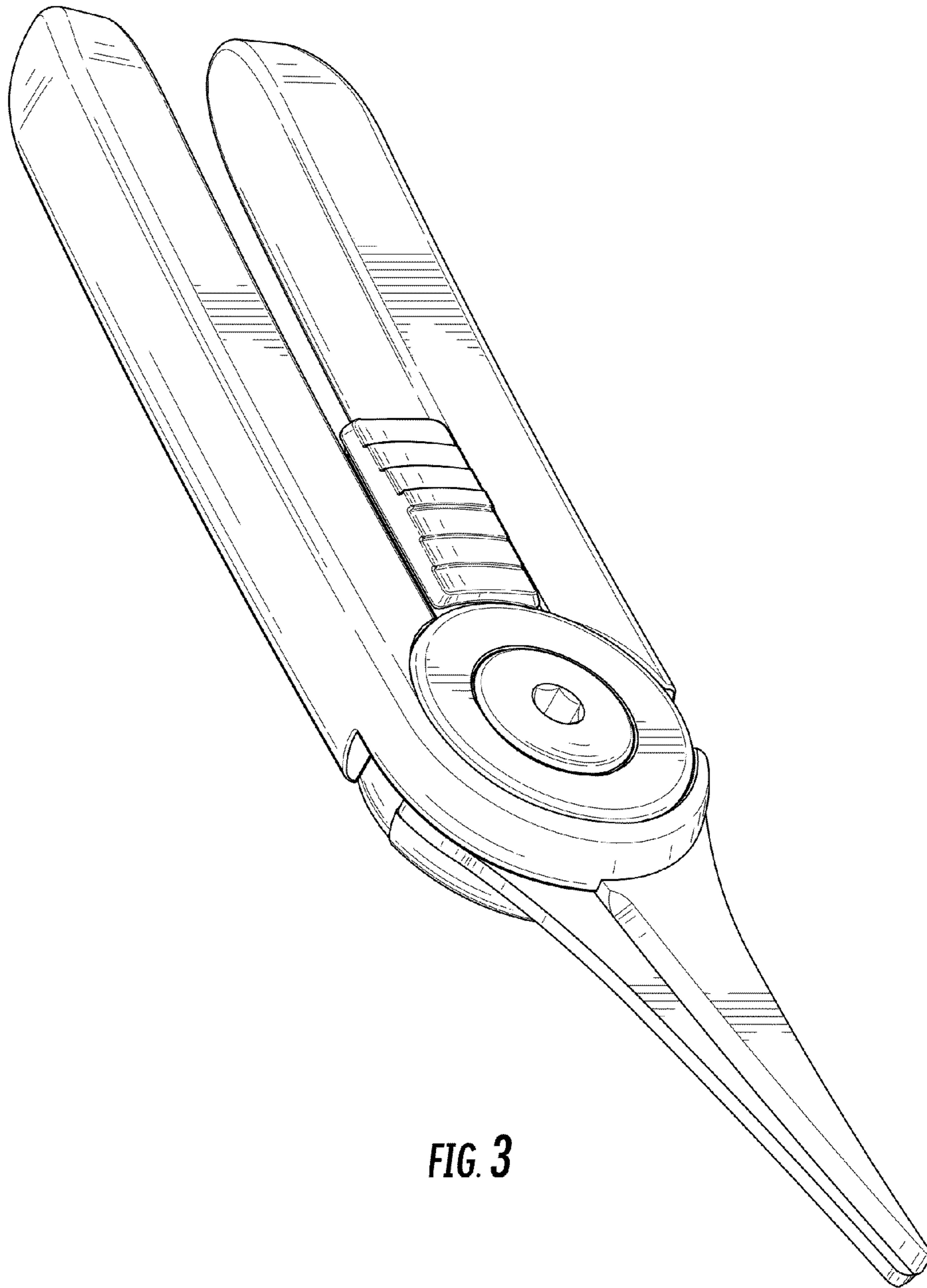


FIG. 3

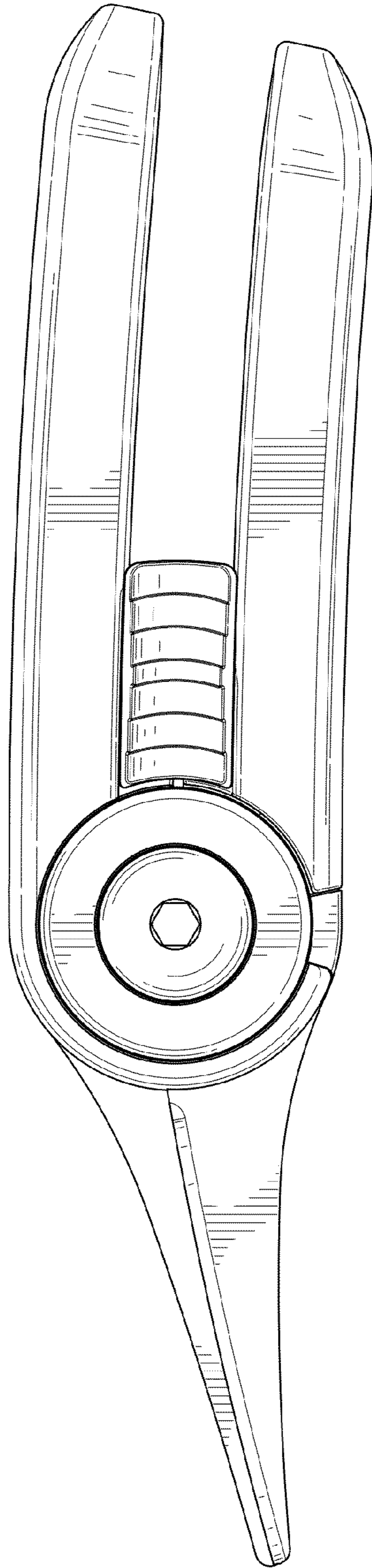


FIG. 4

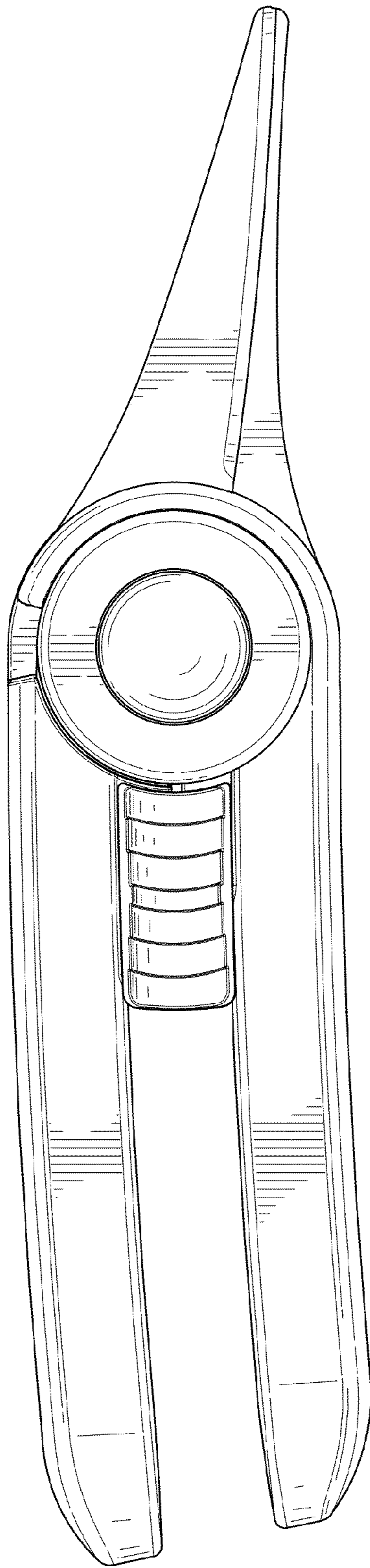


FIG. 5

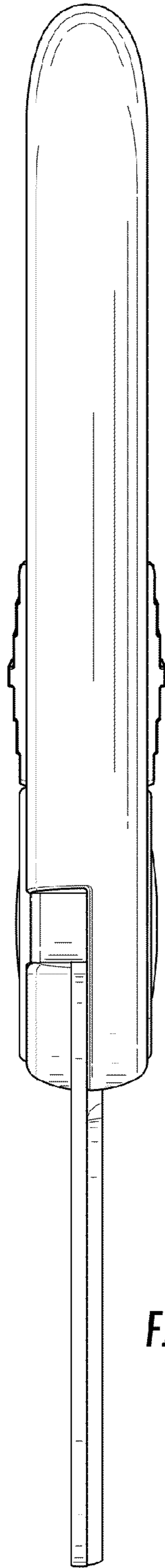


FIG. 6

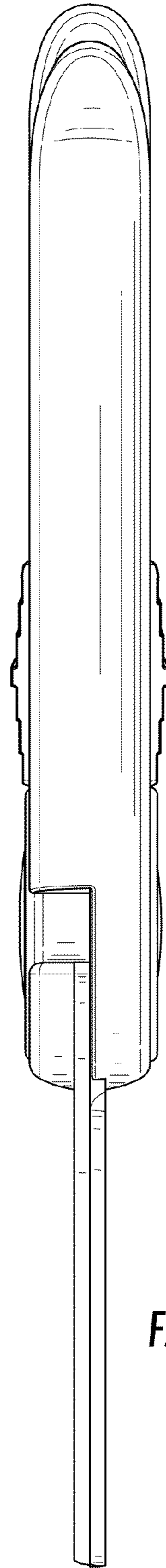


FIG. 7

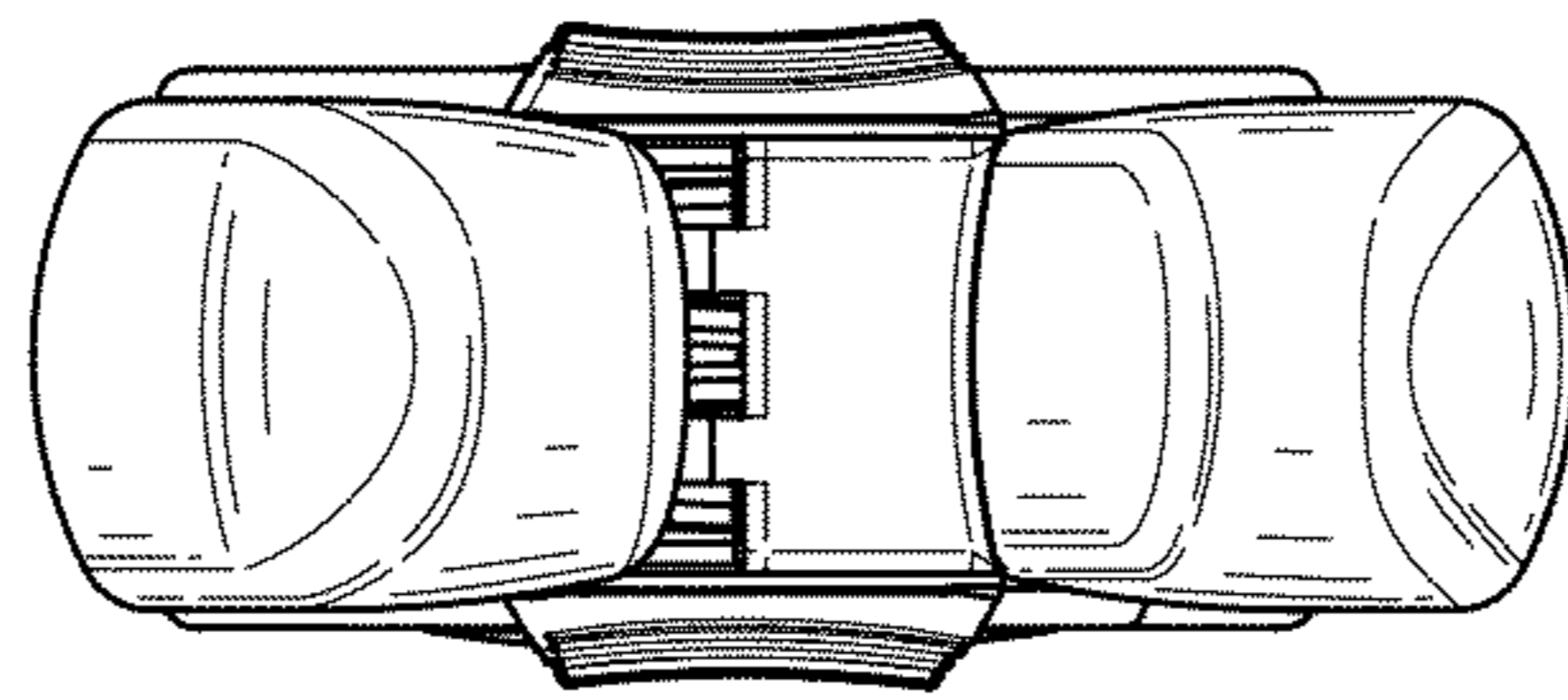


FIG. 8

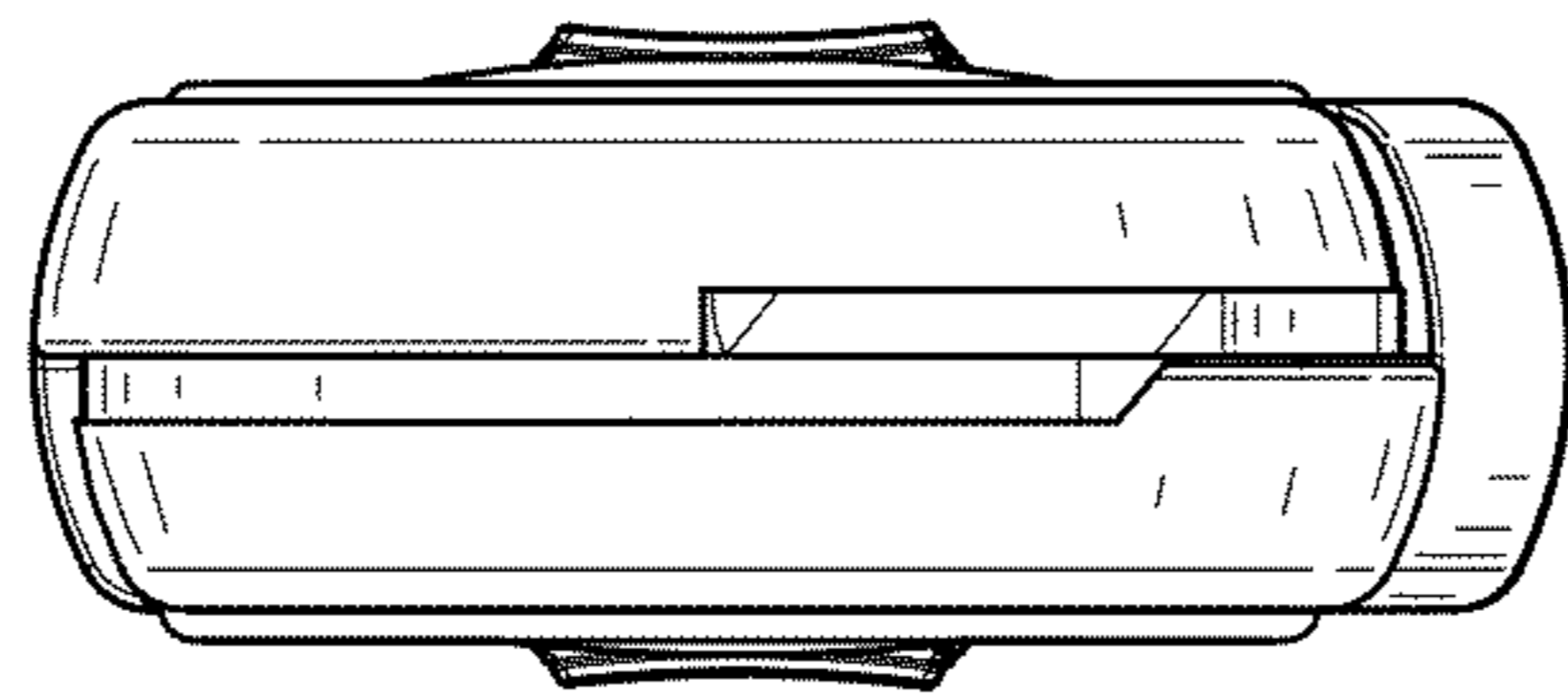


FIG. 9