



US00D715111S

(12) **United States Design Patent**
Casonati et al.

(10) **Patent No.:** **US D715,111 S**

(45) **Date of Patent:** **** Oct. 14, 2014**

(54) **DOSAGE CONTAINER WITH LID FOR
ADDING A WASHING AGENT**

(56) **References Cited**

U.S. PATENT DOCUMENTS

(71) Applicant: **Reckitt Benckiser (Brands) Limited**,
Slough (GB)

5,137,316	A	*	8/1992	Foos	73/426
D330,997	S	*	11/1992	Spahni et al.	D7/691
D338,599	S	*	8/1993	Zogg et al.	D7/691
D550,036	S	*	9/2007	Holcomb et al.	D7/512
D551,023	S	*	9/2007	Natalino et al.	D7/533

(72) Inventors: **Roberto Casonati**, Mira (IT); **Igor Dabala**, Mira (IT); **Giuseppe Di Bono**, Mira (IT); **Umberto Toniolo**, Mira (IT); **Ralf Wiedemann**, San Paulo (BR)

* cited by examiner

Primary Examiner — Terry Wallace

(73) Assignee: **Reckitt Benckiser (Brands) Limited**,
Slough, Berkshire (GB)

(74) *Attorney, Agent, or Firm* — Norris McLaughlin & Marcus PA

(**) Term: **14 Years**

(57) **CLAIM**

The ornamental design for a dosage container with lid for adding washing agent, as shown and described.

(21) Appl. No.: **29/475,920**

DESCRIPTION

(22) Filed: **Dec. 9, 2013**

FIG. 1 is a front and side perspective view of a first embodiment of a dosage container and lid;
FIG. 2 is a right side elevational view thereof;
FIG. 3 is a left side elevational view thereof;
FIG. 4 is a rear elevational view thereof;
FIG. 5 is a front elevational view thereof;
FIG. 6 is a top plan view thereof;
FIG. 7 is a bottom plan view thereof;
FIG. 8 is a front and side perspective view of the lid, shown separately for clarity of illustration.
FIG. 9 is a right side elevational view of FIG. 8.
FIG. 10 is a left side elevational view of FIG. 8.
FIG. 11 is a rear elevational view of FIG. 8.
FIG. 12 is a front elevational view of FIG. 8.
FIG. 13 is a top plan view of FIG. 8; and,
FIG. 14 is a bottom plan view of FIG. 8.

(30) **Foreign Application Priority Data**

Jun. 21, 2013 (EM) 002260406

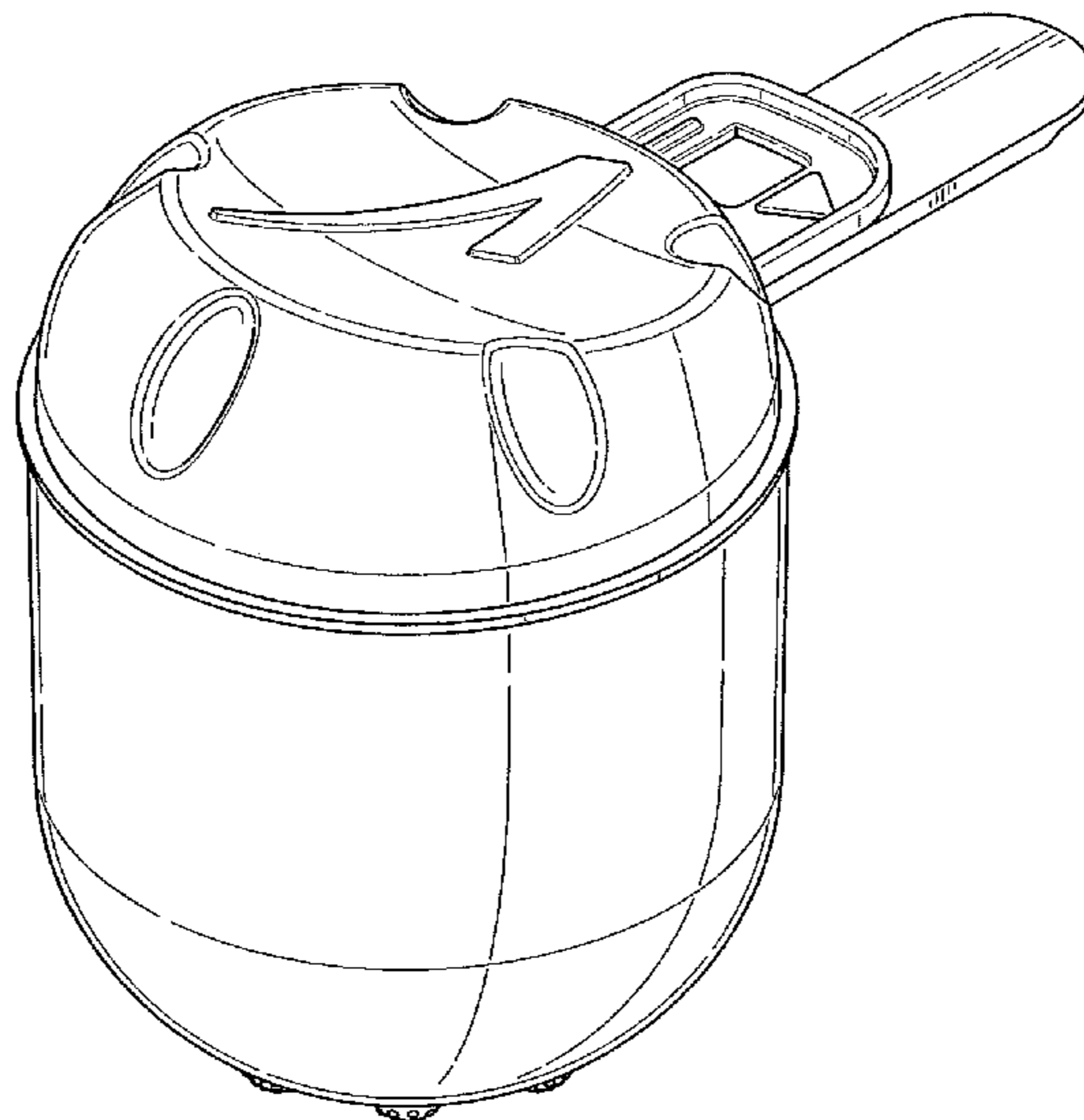
(51) **LOC (10) Cl.** **07-05**

(52) **U.S. Cl.**
USPC **D7/691**; D32/35

(58) **Field of Classification Search**
CPC G01F 19/002
USPC D7/691, 692; D10/46.2, 46.3; 294/176,
294/177, 180; 73/426–429; D32/35;
30/324–328

See application file for complete search history.

1 Claim, 8 Drawing Sheets



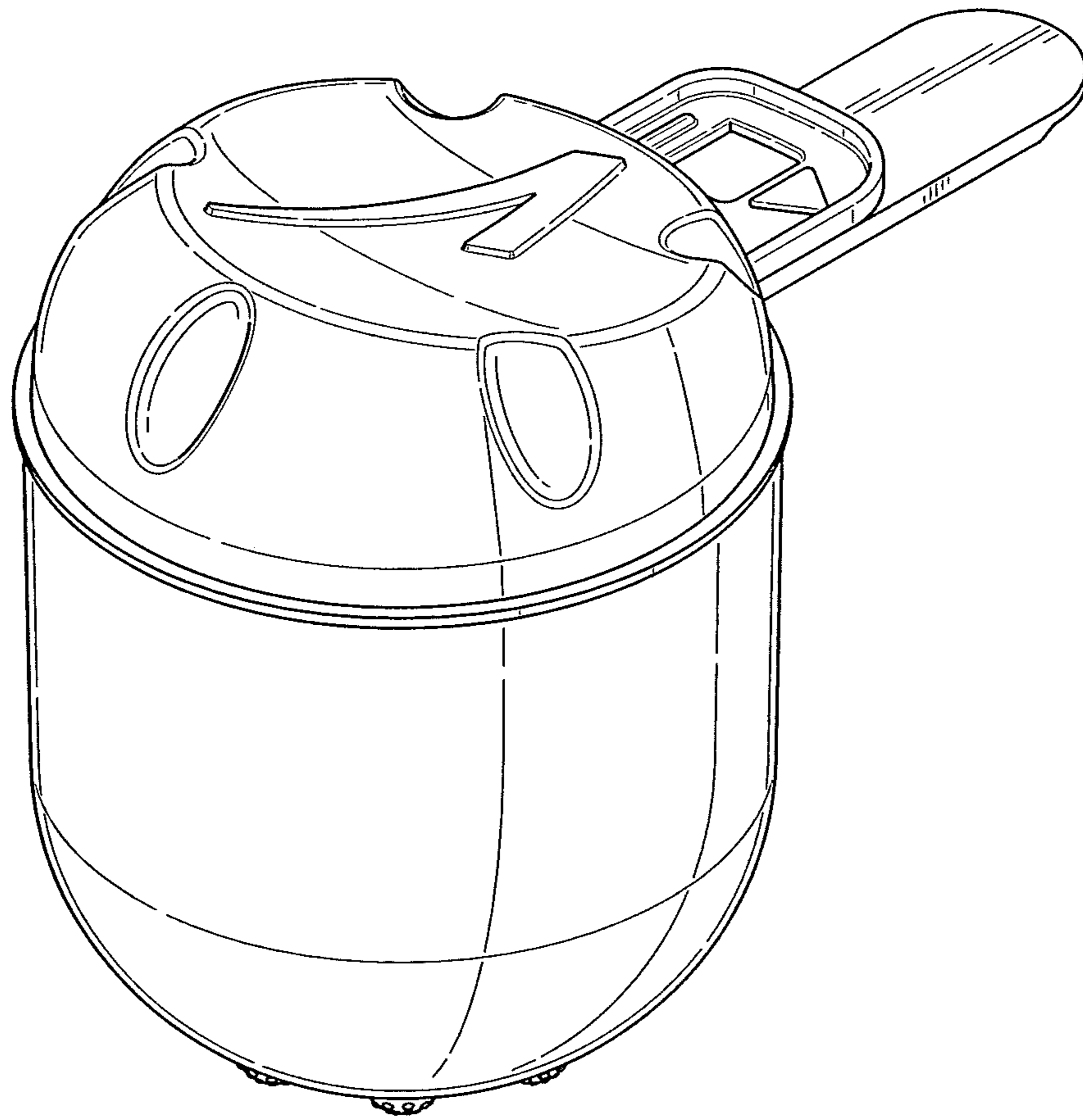


Fig. 1

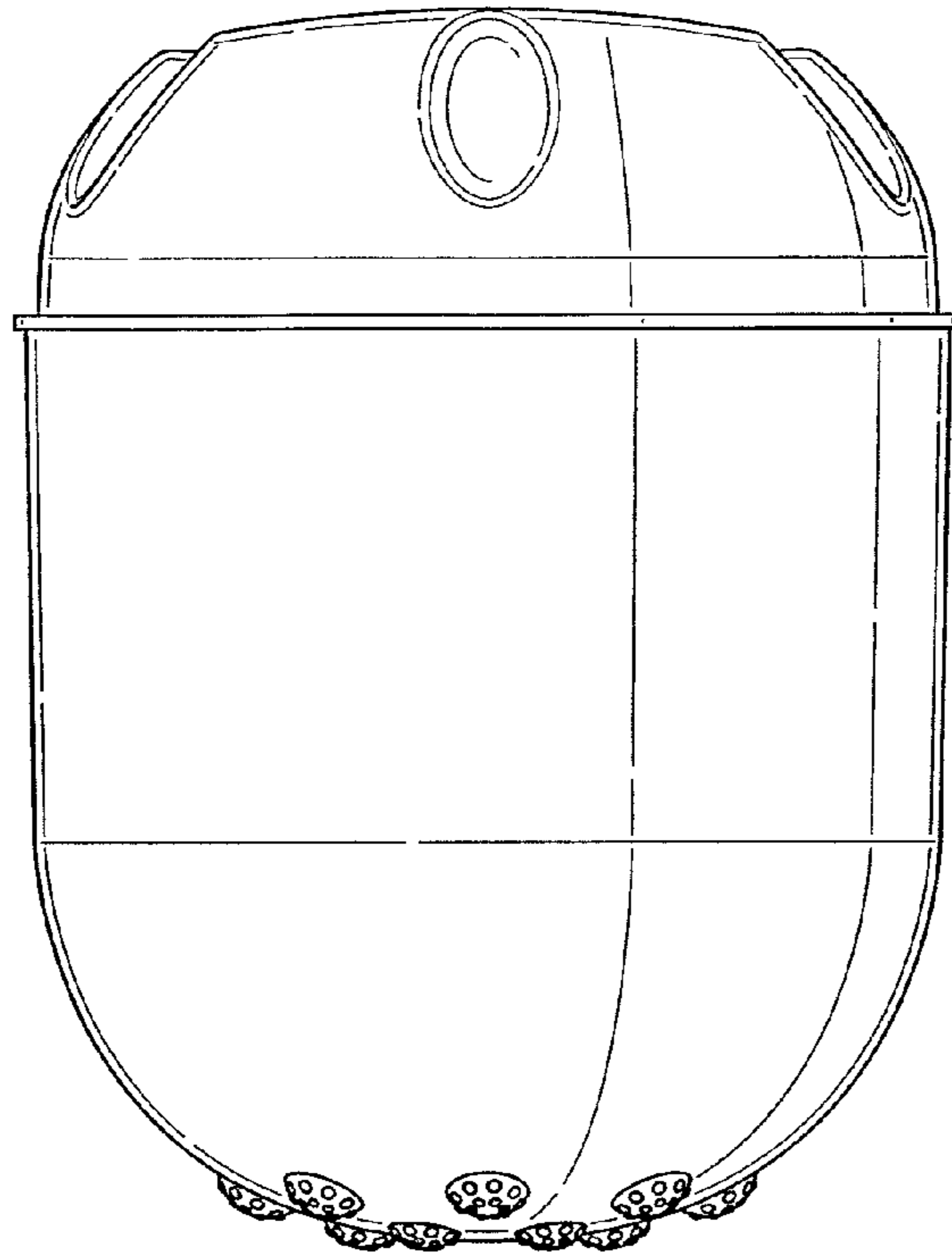


Fig. 2

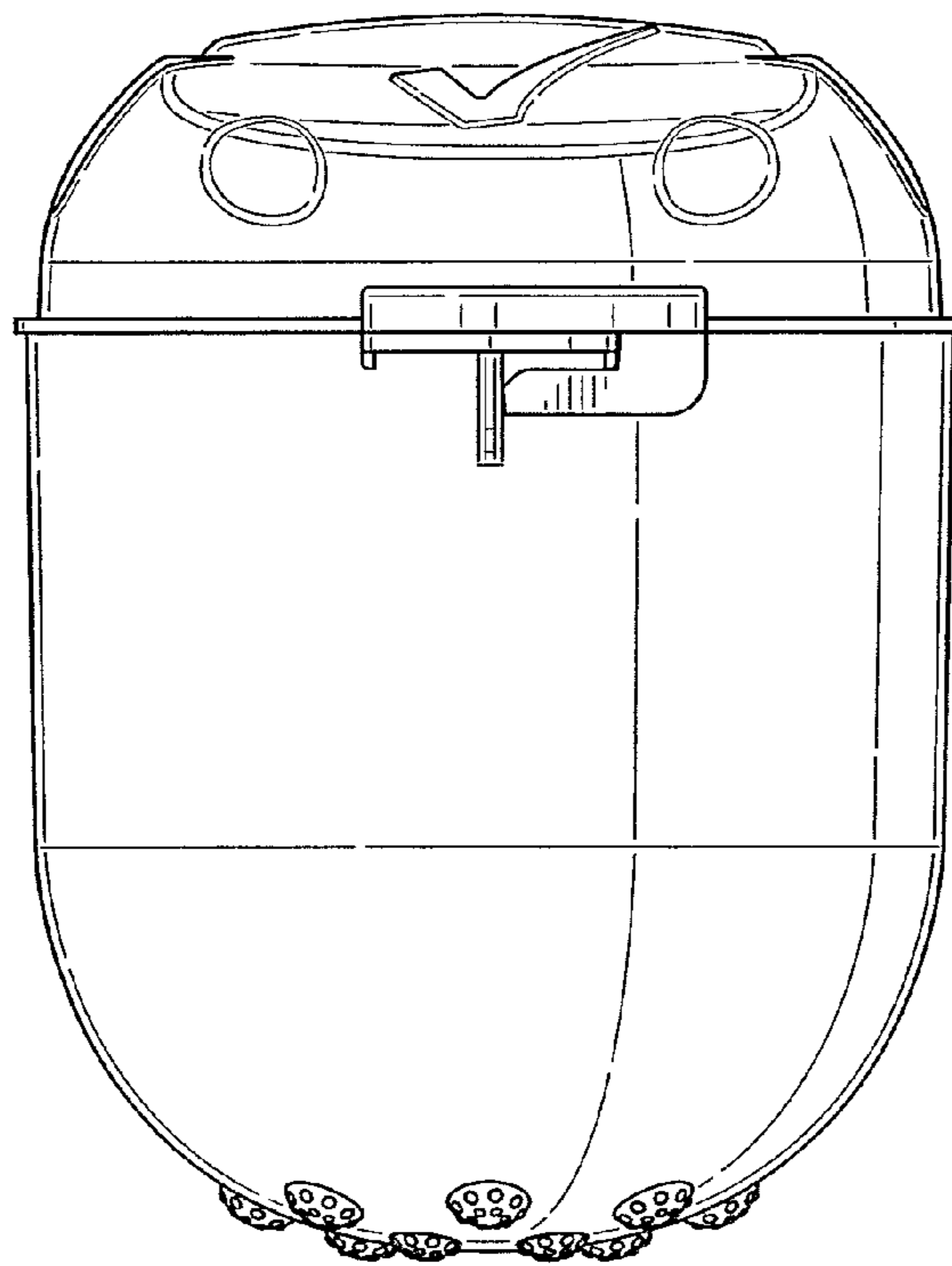


Fig. 3

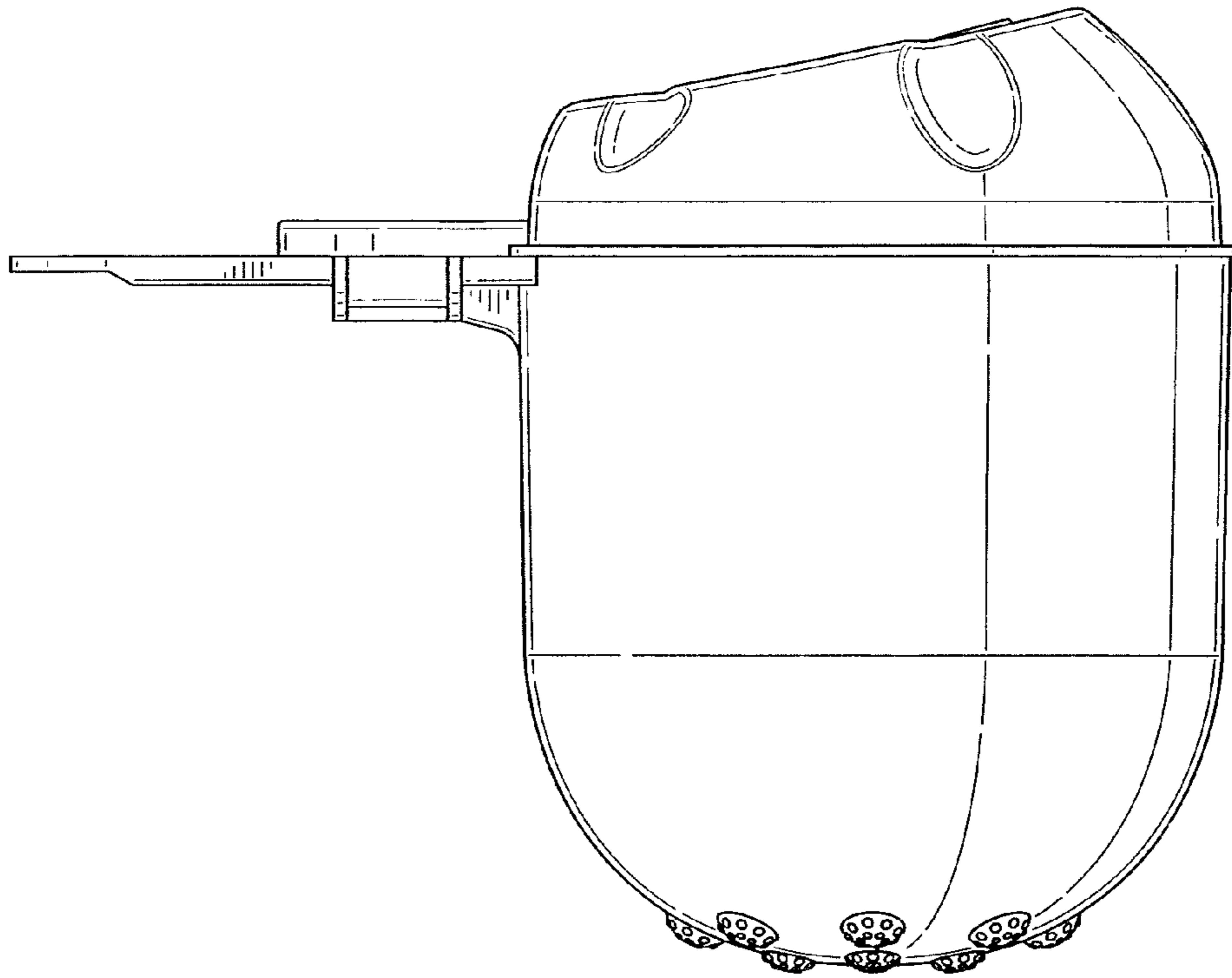


Fig. 4

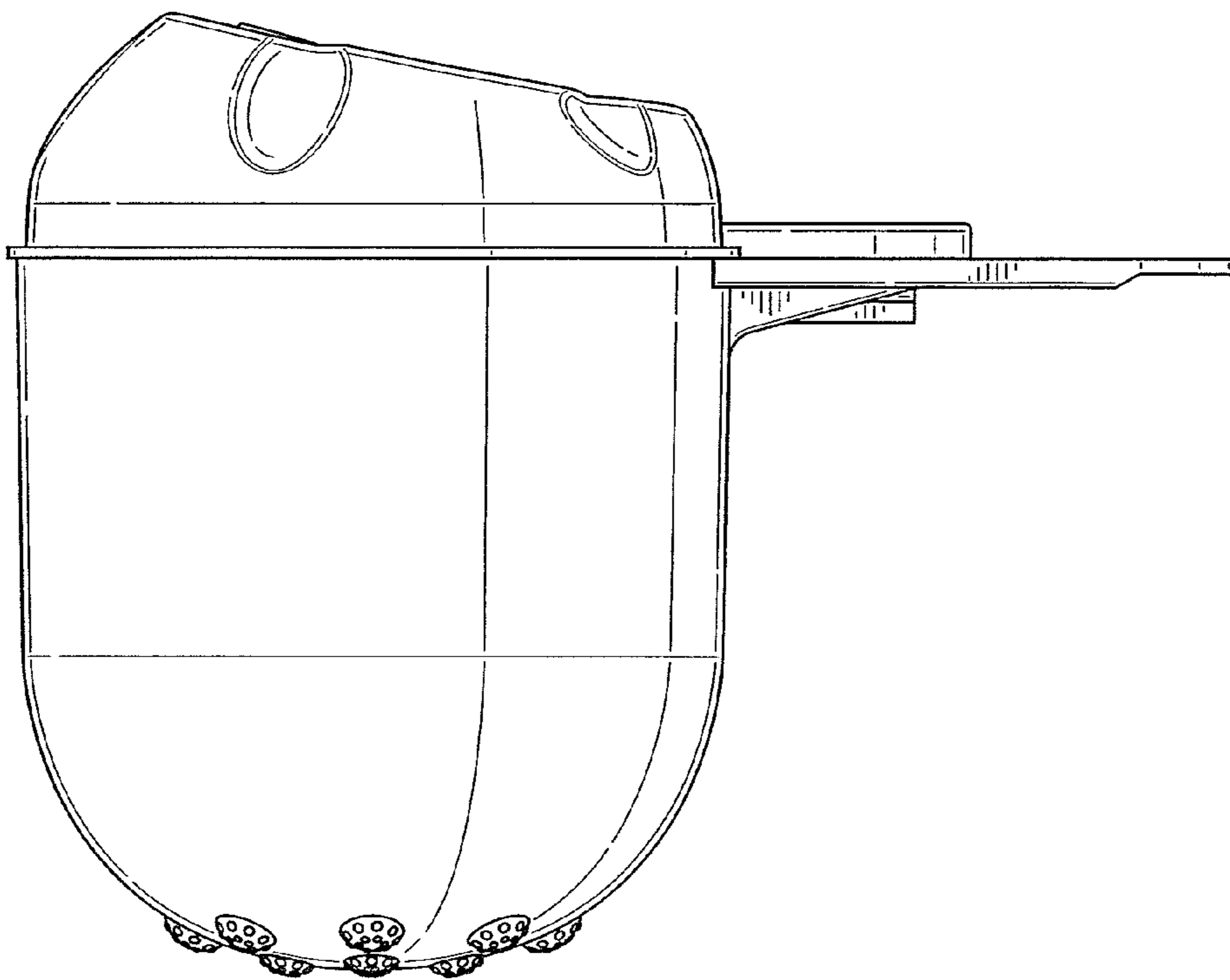


Fig. 5

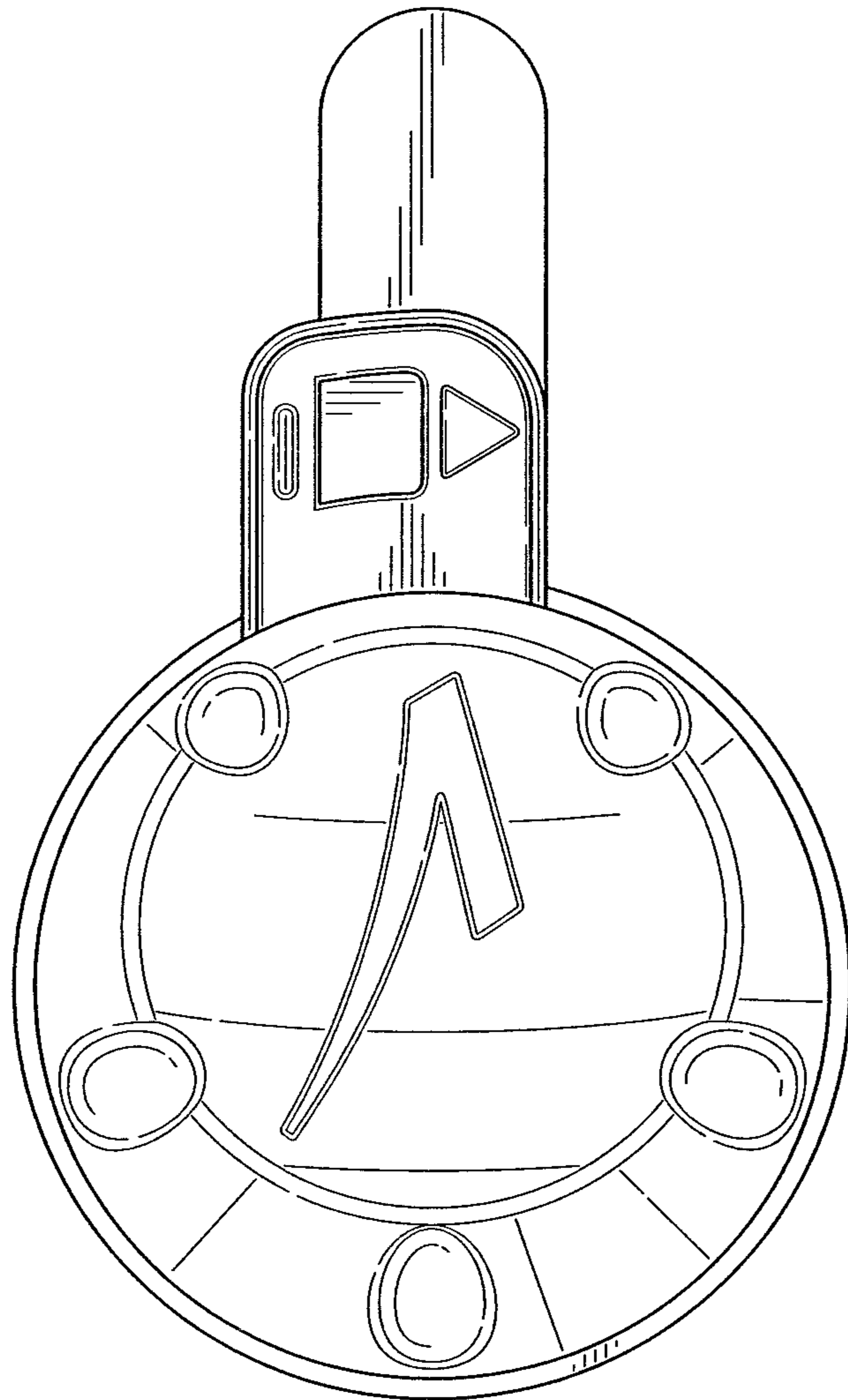


Fig. 6

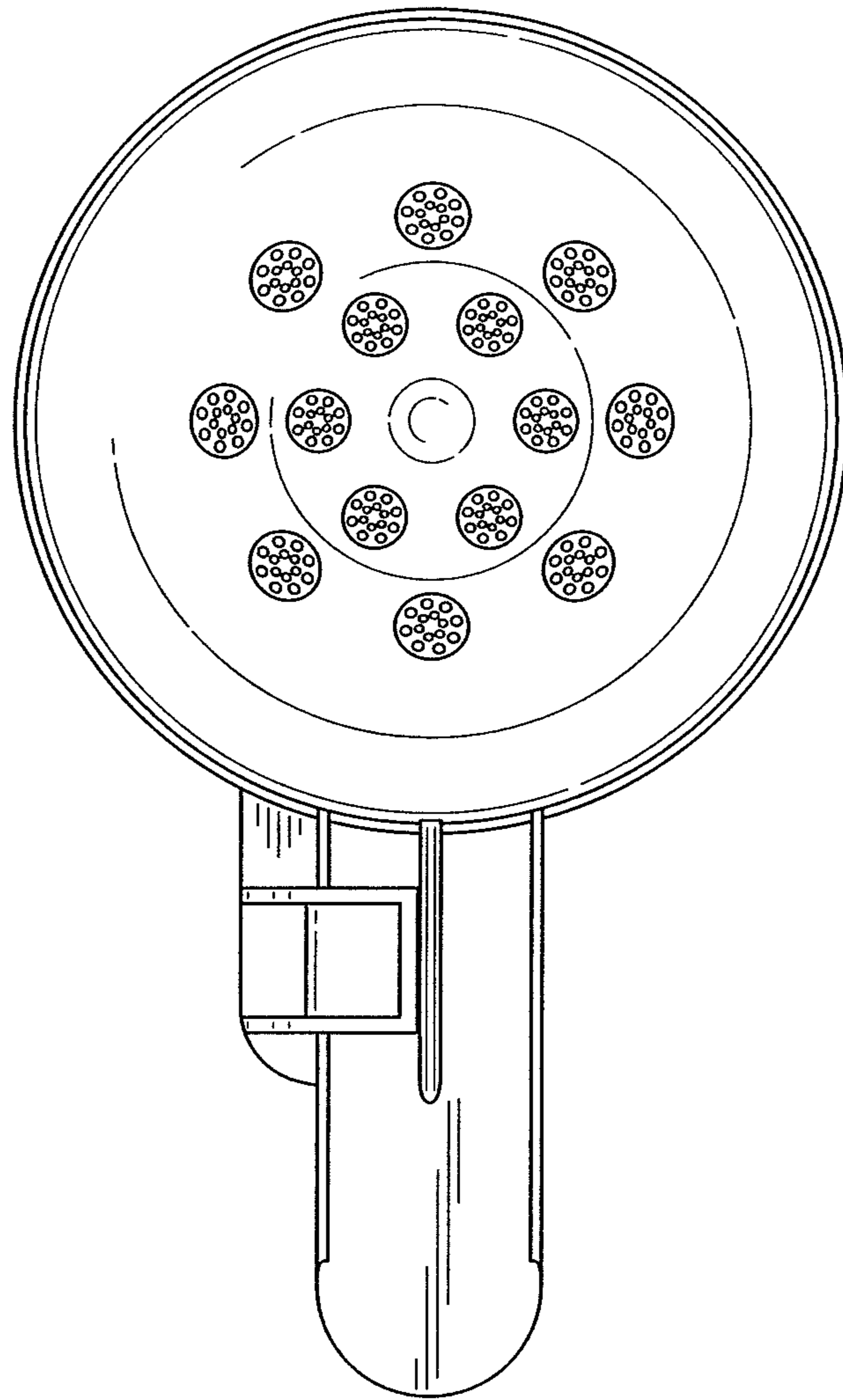


Fig. 7

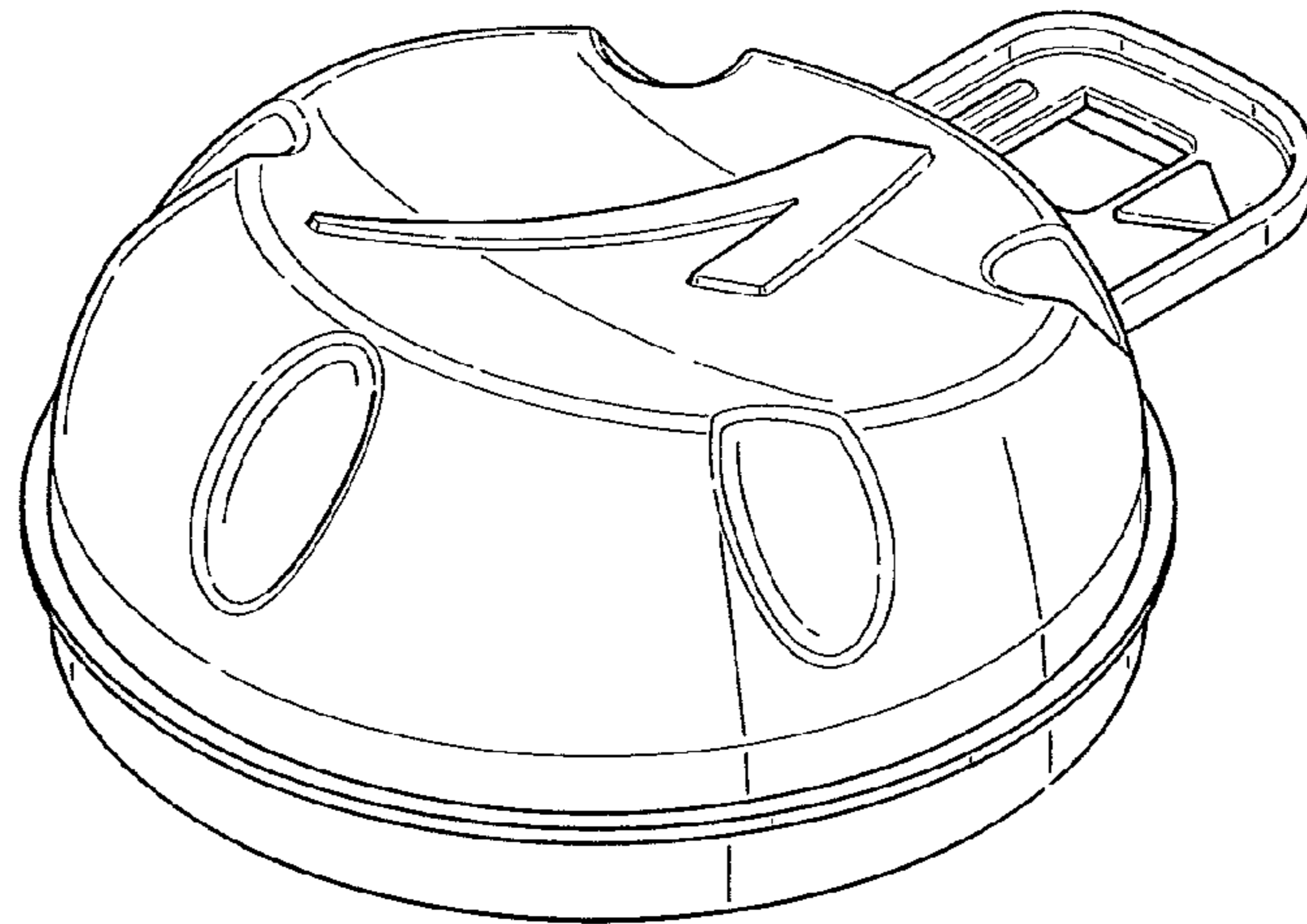


Fig. 8

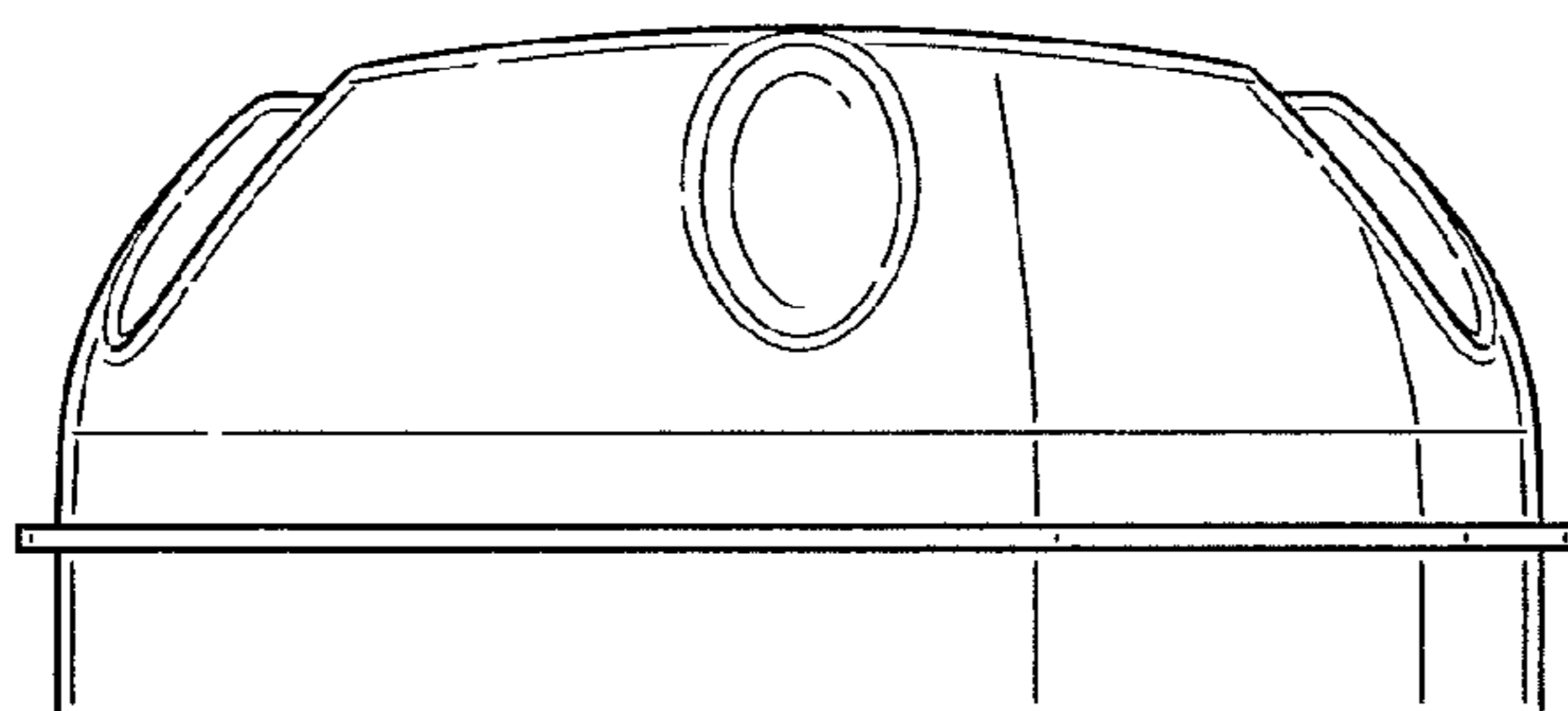


Fig. 9

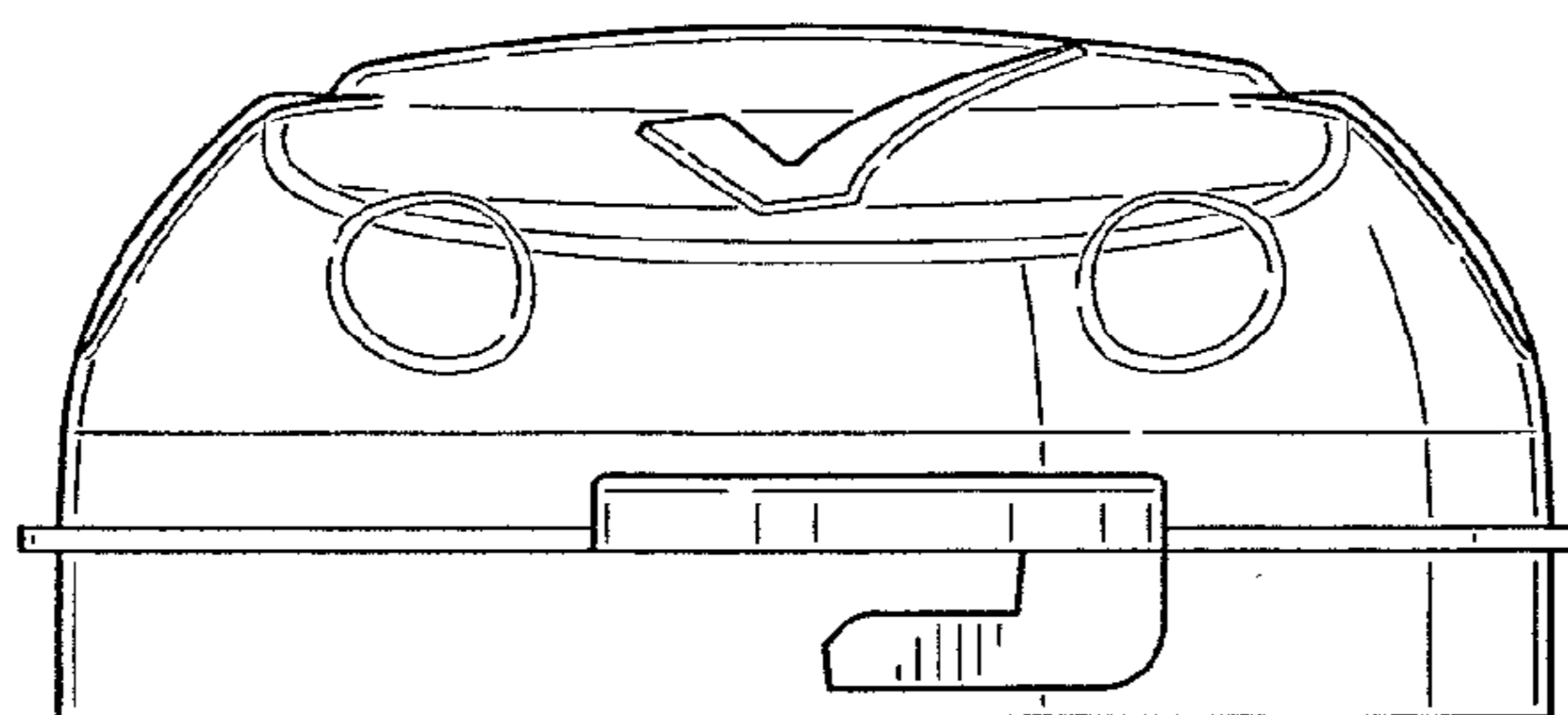


Fig. 10

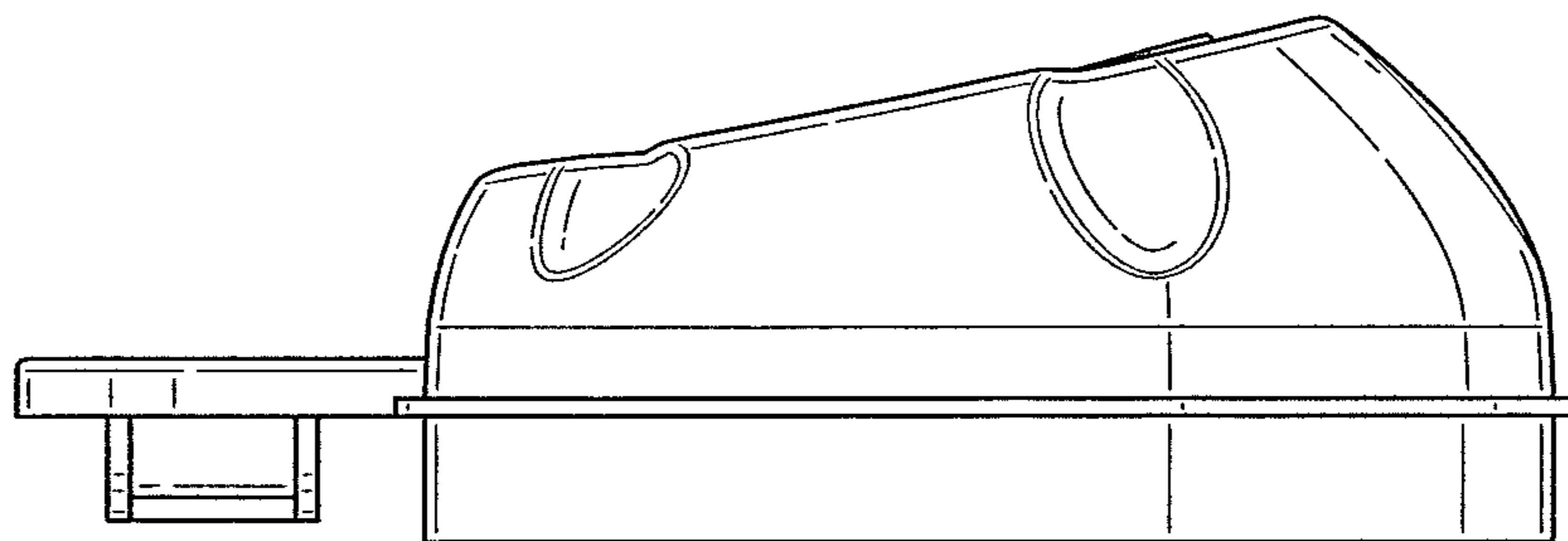


Fig. 11

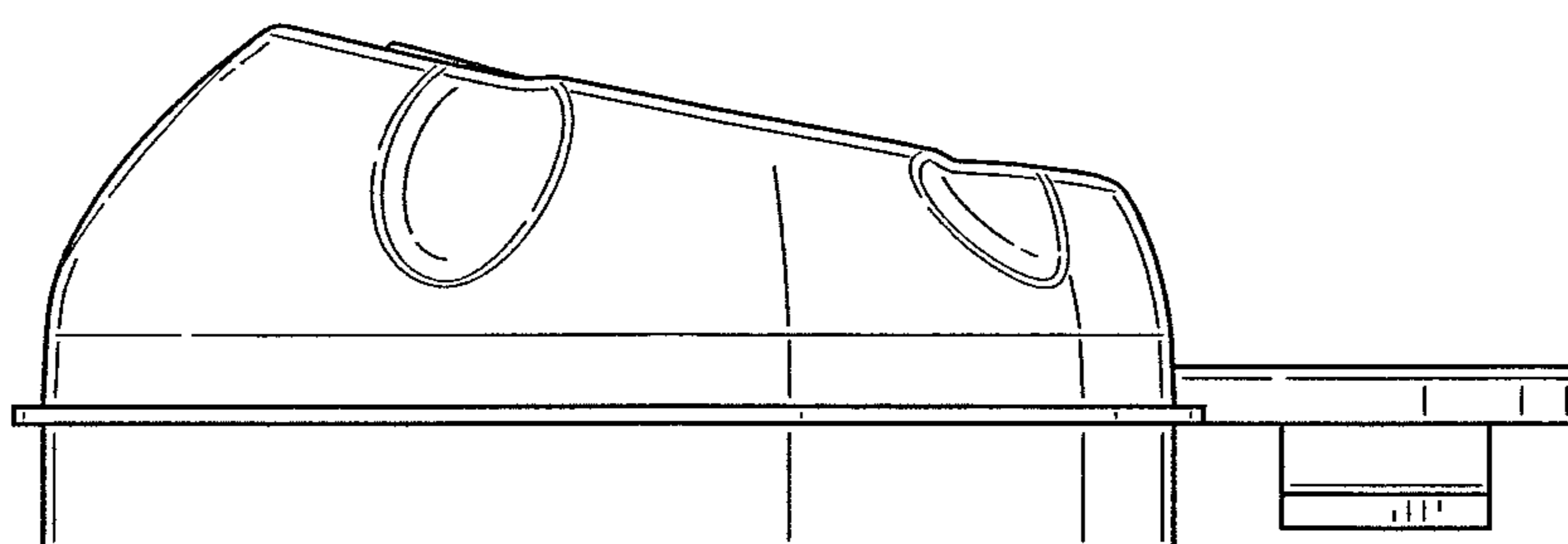


Fig. 12

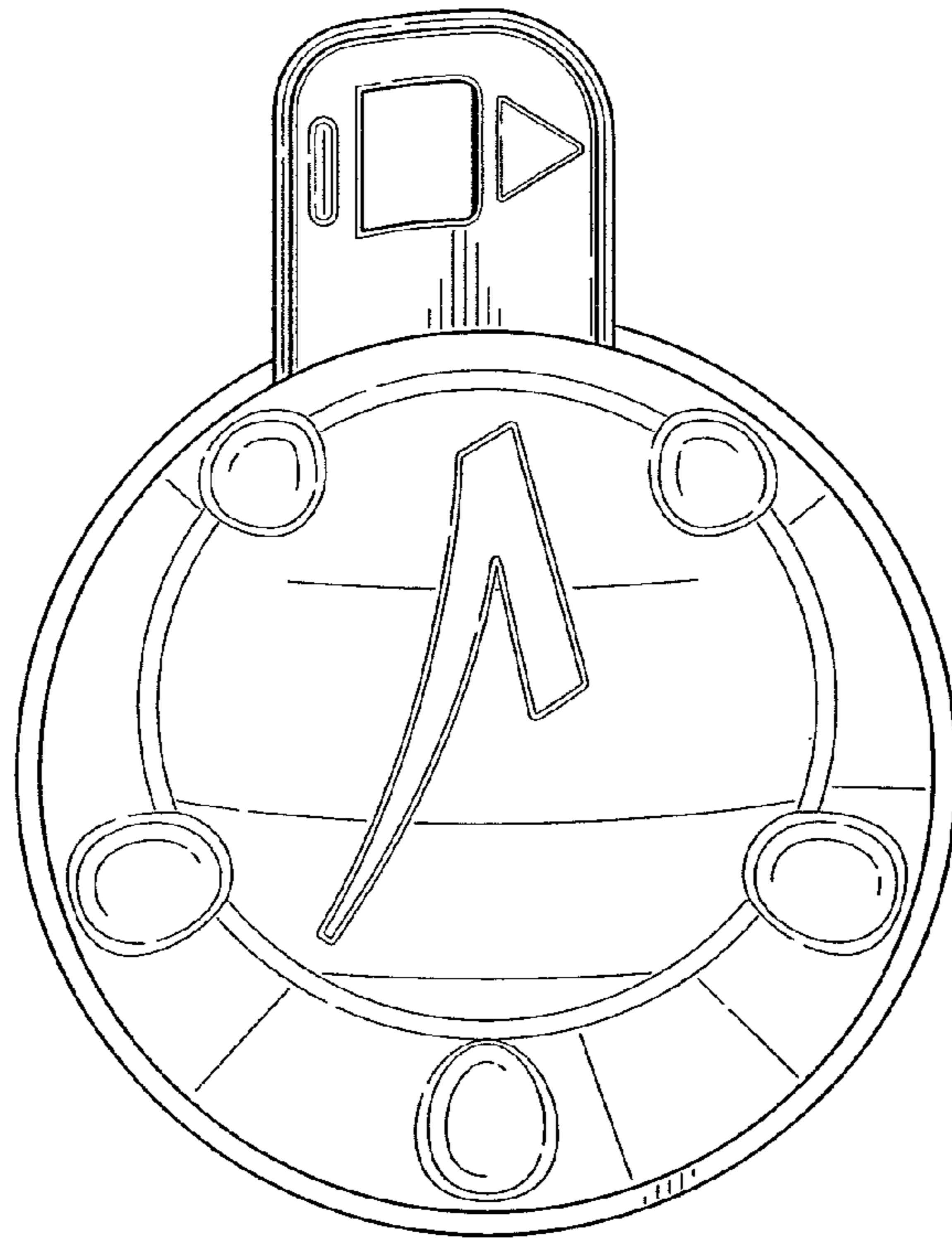


Fig. 13

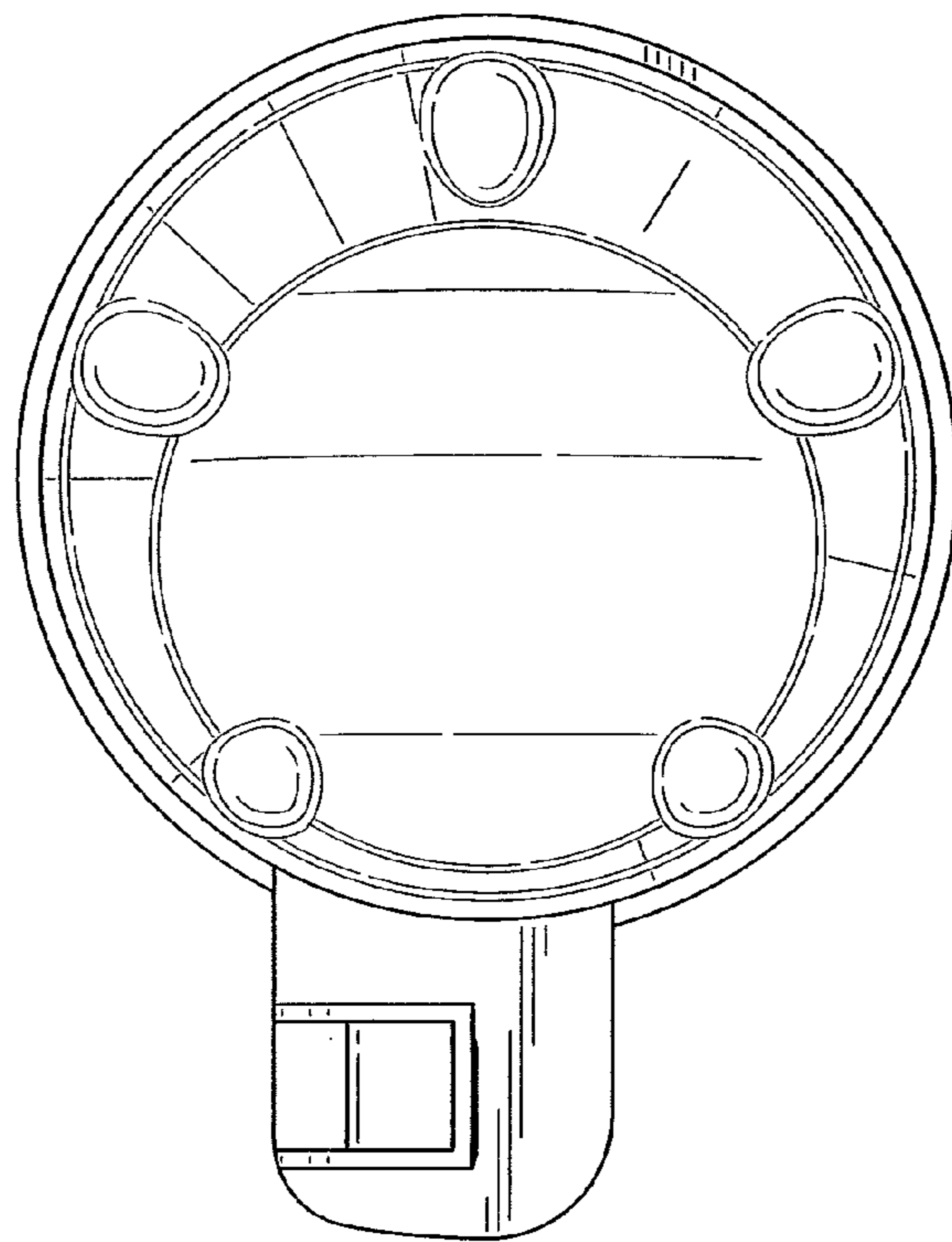


Fig. 14