



US00D715110S

(12) **United States Design Patent**
Casonati et al.

(10) **Patent No.:** **US D715,110 S**

(45) **Date of Patent:** **** Oct. 14, 2014**

(54) **DOSAGE CONTAINER**

(71) Applicant: **Reckitt Benckiser N.V.**, WT Hoofddorp (NL)

(72) Inventors: **Roberto Casonati**, Venice (IT); **Umberto Toniolo**, Venice (IT); **Ralf Wiedermann**, Venice (IT); **Giuseppe Di Bono**, Venice (IT); **Krzysztof Krajewski**, Venice (IT); **Igor Dabala**, Venice (IT)

(73) Assignee: **Reckitt Benckiser N.V.**, WT Hoofddorp (NL)

(**) Term: **14 Years**

(21) Appl. No.: **29/453,223**

(22) Filed: **Apr. 26, 2013**

(30) **Foreign Application Priority Data**

Oct. 29, 2012 (EM) 002126797-0002
Oct. 29, 2012 (EM) 002126797-0003

(51) **LOC (10) Cl.** **07-05**

(52) **U.S. Cl.**
USPC **D7/691**; D32/35

(58) **Field of Classification Search**
CPC G01F 19/002
USPC D7/691, 692; D10/46.2, 46.3; 294/176, 294/177, 180; 73/426-429; D32/35; 30/324-328

See application file for complete search history.

(56) **References Cited**

U.S. PATENT DOCUMENTS

5,137,316 A *	8/1992	Foos	73/426
D330,997 S *	11/1992	Spahni et al.	D7/691
D338,599 S *	8/1993	Zogg et al.	D7/691
D550,036 S *	9/2007	Holcomb et al.	D7/512
D551,023 S *	9/2007	Natalino et al.	D7/533

* cited by examiner

Primary Examiner — Terry Wallace

(74) *Attorney, Agent, or Firm* — Norris McLaughlin & Marcus PA

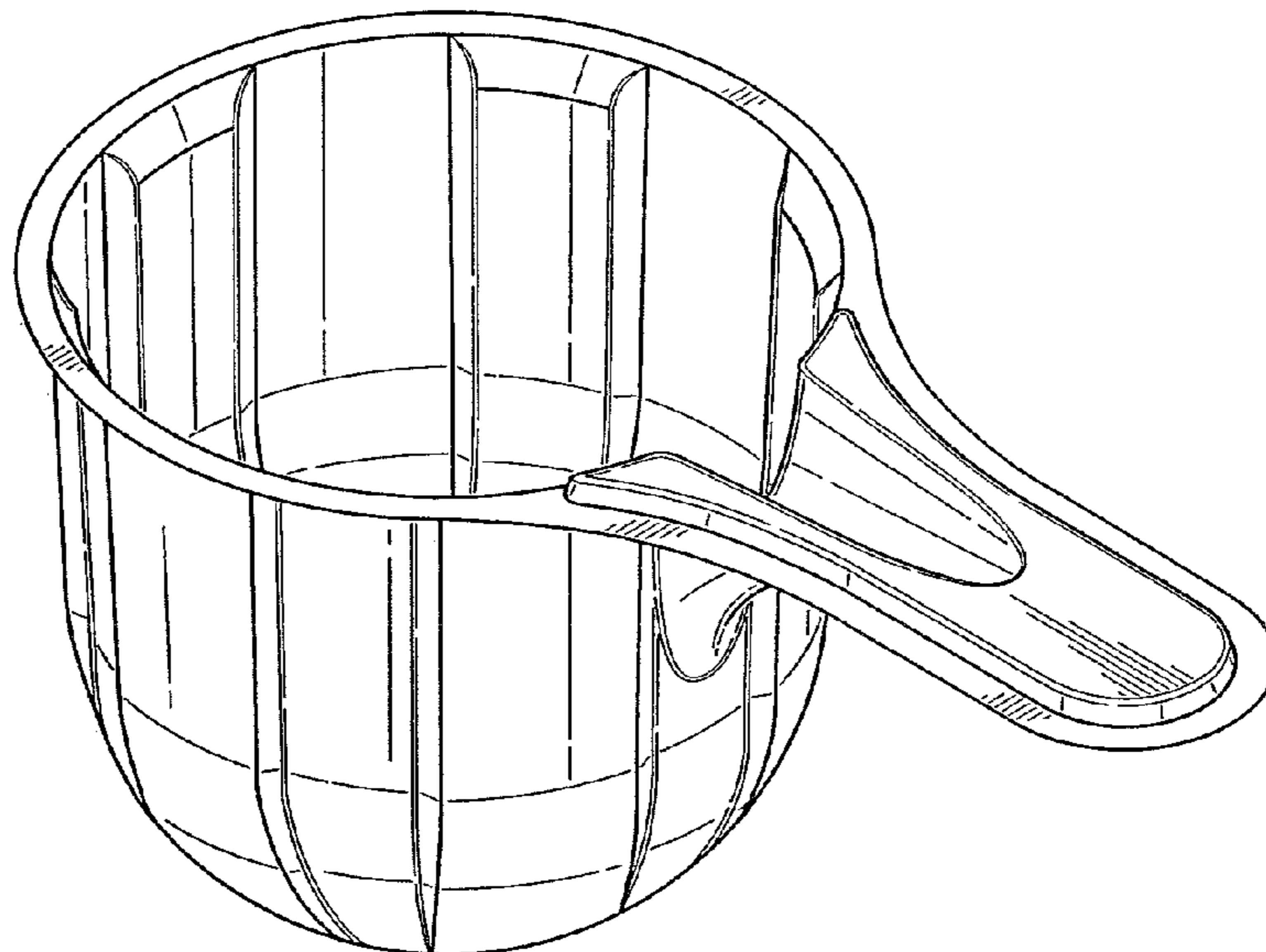
(57) **CLAIM**

The ornamental design for a dosage container, as shown and described.

DESCRIPTION

FIG. 1 is a front and side perspective view of a first embodiment of a dosage container;
FIG. 2 is a right side elevational view thereof;
FIG. 3 is a left side elevational view thereof;
FIG. 4 is a rear elevational view thereof;
FIG. 5 is a front elevational view thereof;
FIG. 6 is a top plan view thereof;
FIG. 7 is a bottom plan view thereof;
FIG. 8 is a front and side perspective view of a second embodiment of a dosage container;
FIG. 9 is a right side elevational view thereof;
FIG. 10 is a left side elevational view thereof;
FIG. 11 is a rear elevational view thereof;
FIG. 12 is a front elevational view thereof;
FIG. 13 is a top plan view thereof; and,
FIG. 14 is a bottom plan view thereof.

1 Claim, 8 Drawing Sheets



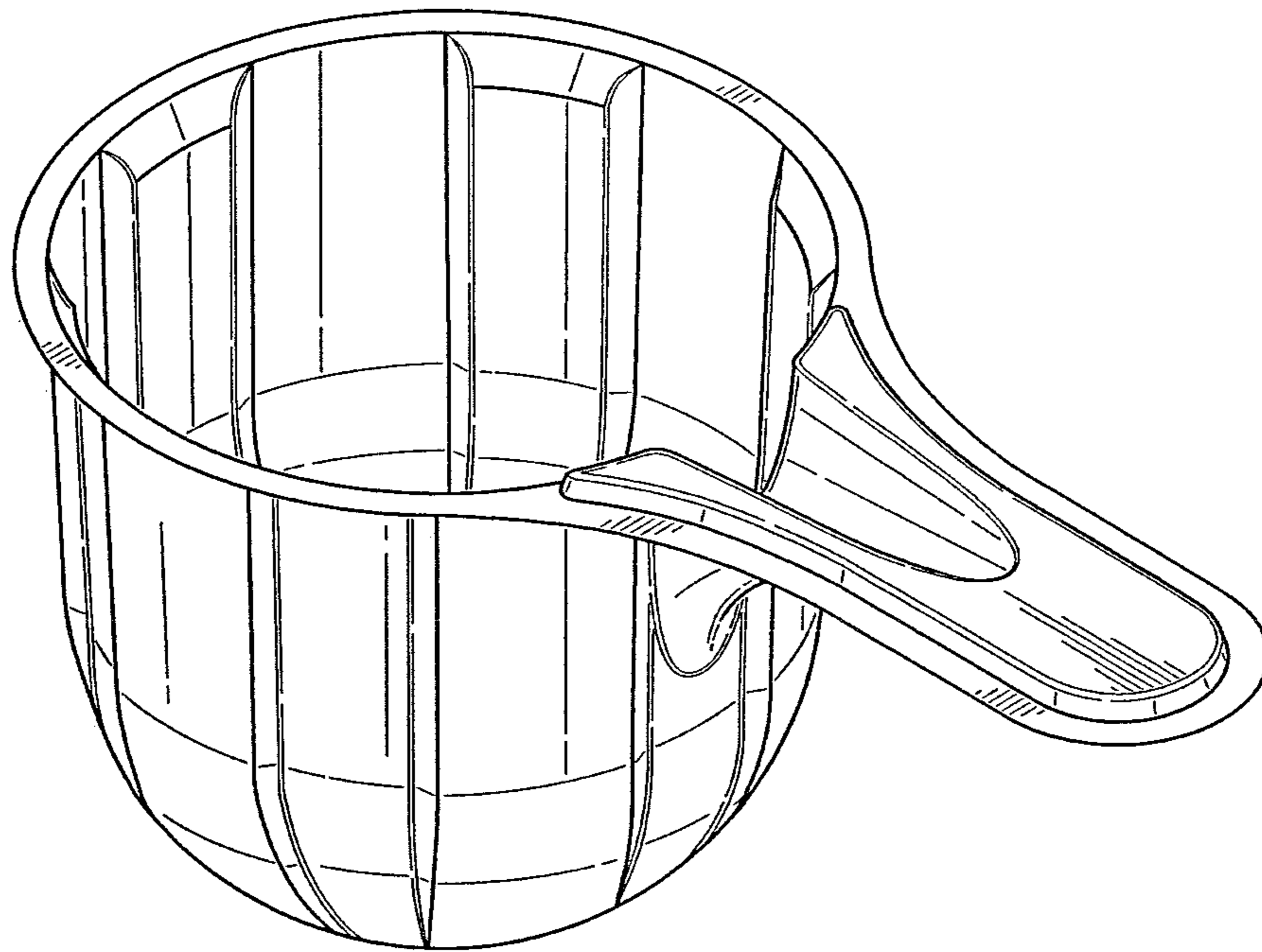


Fig. 1

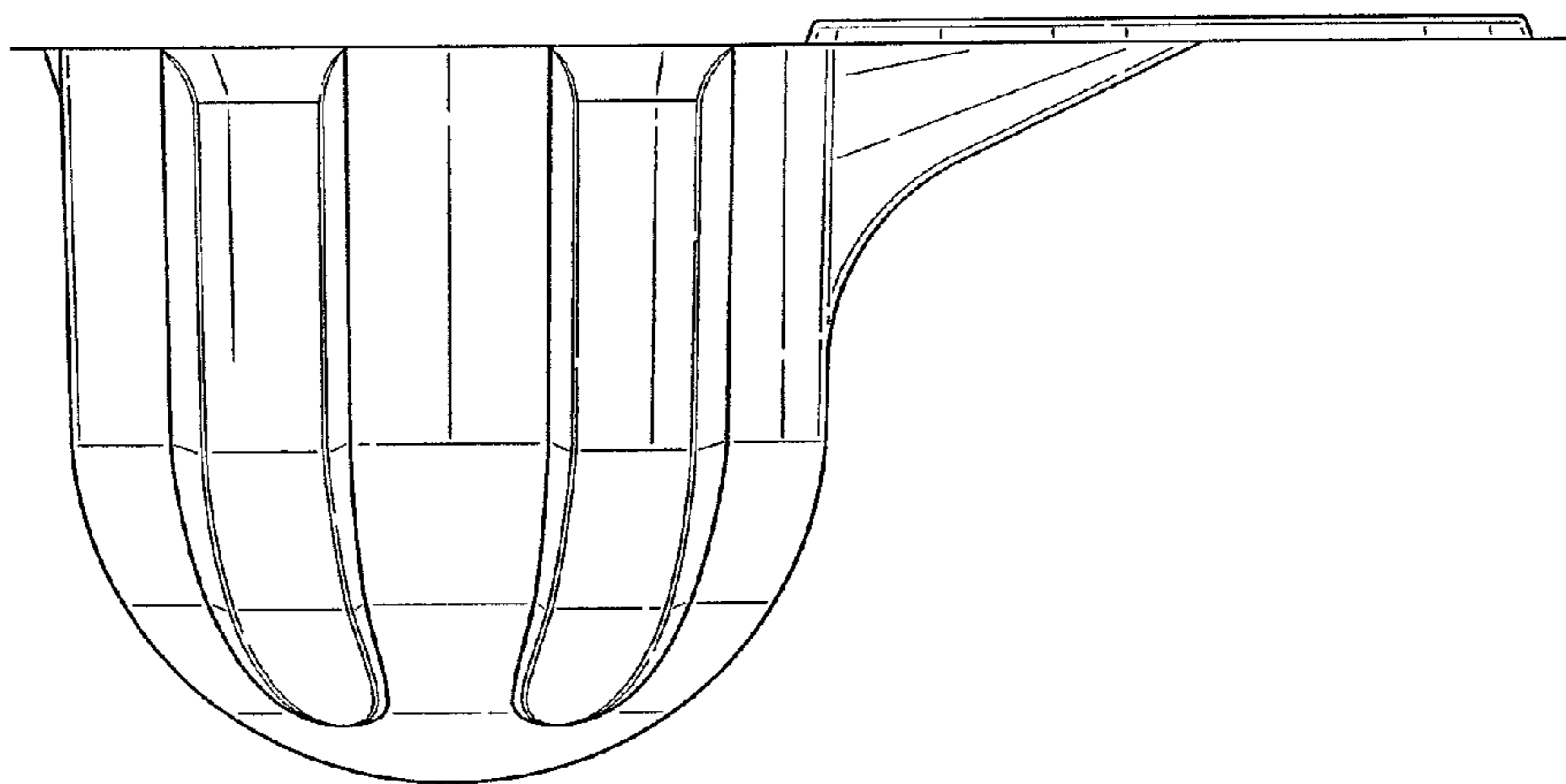


Fig. 2

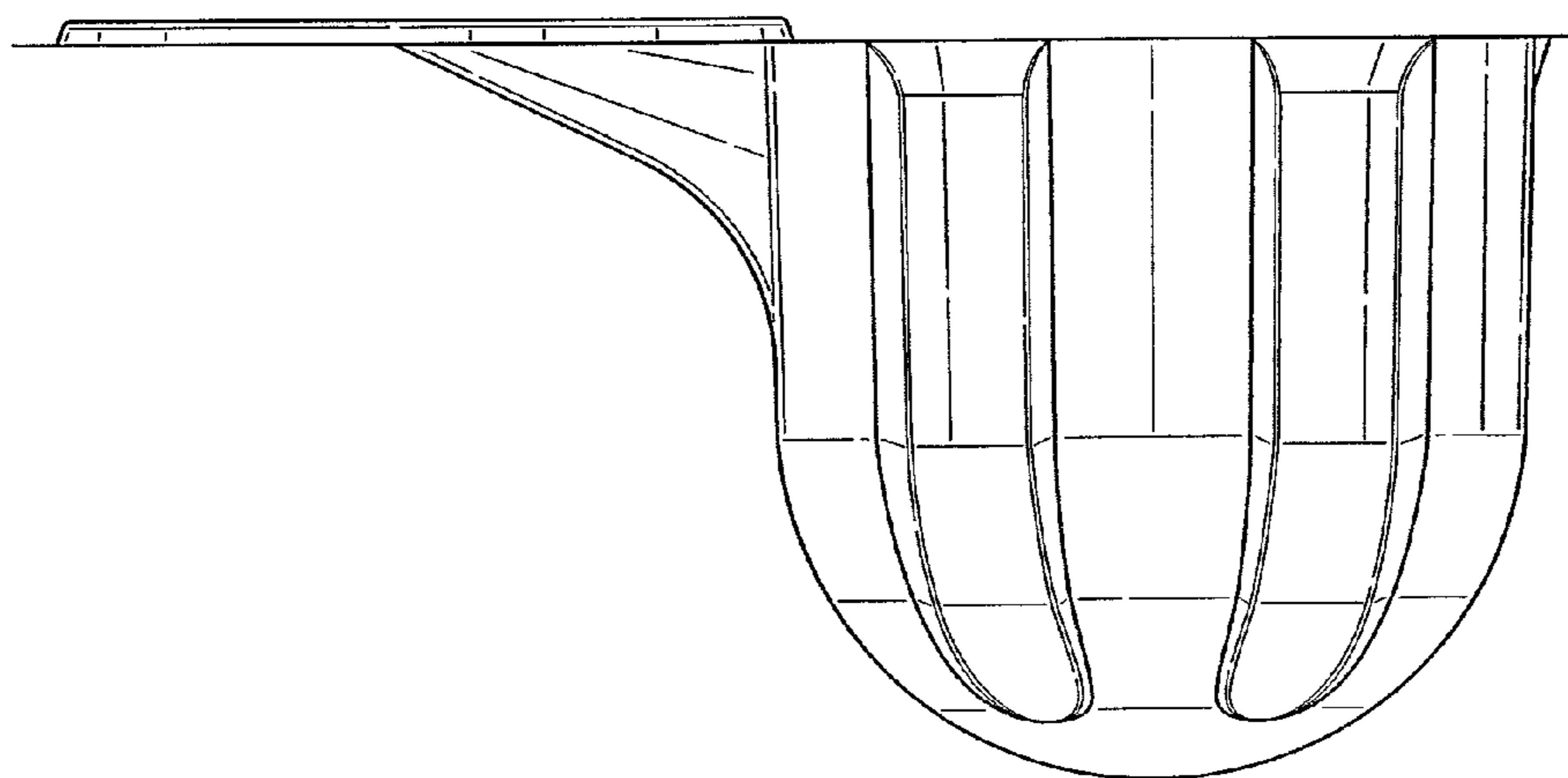


Fig. 3

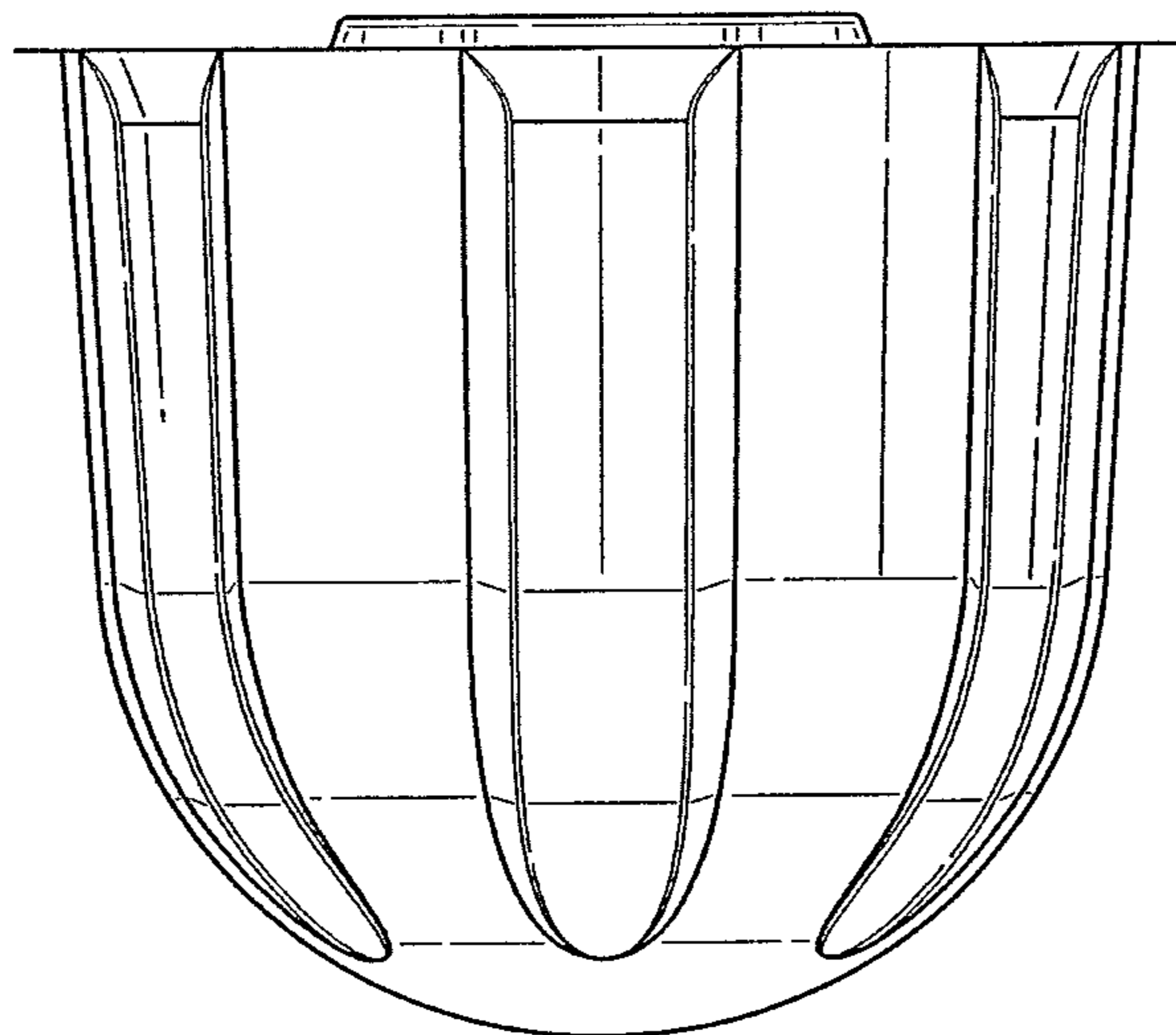


Fig. 4

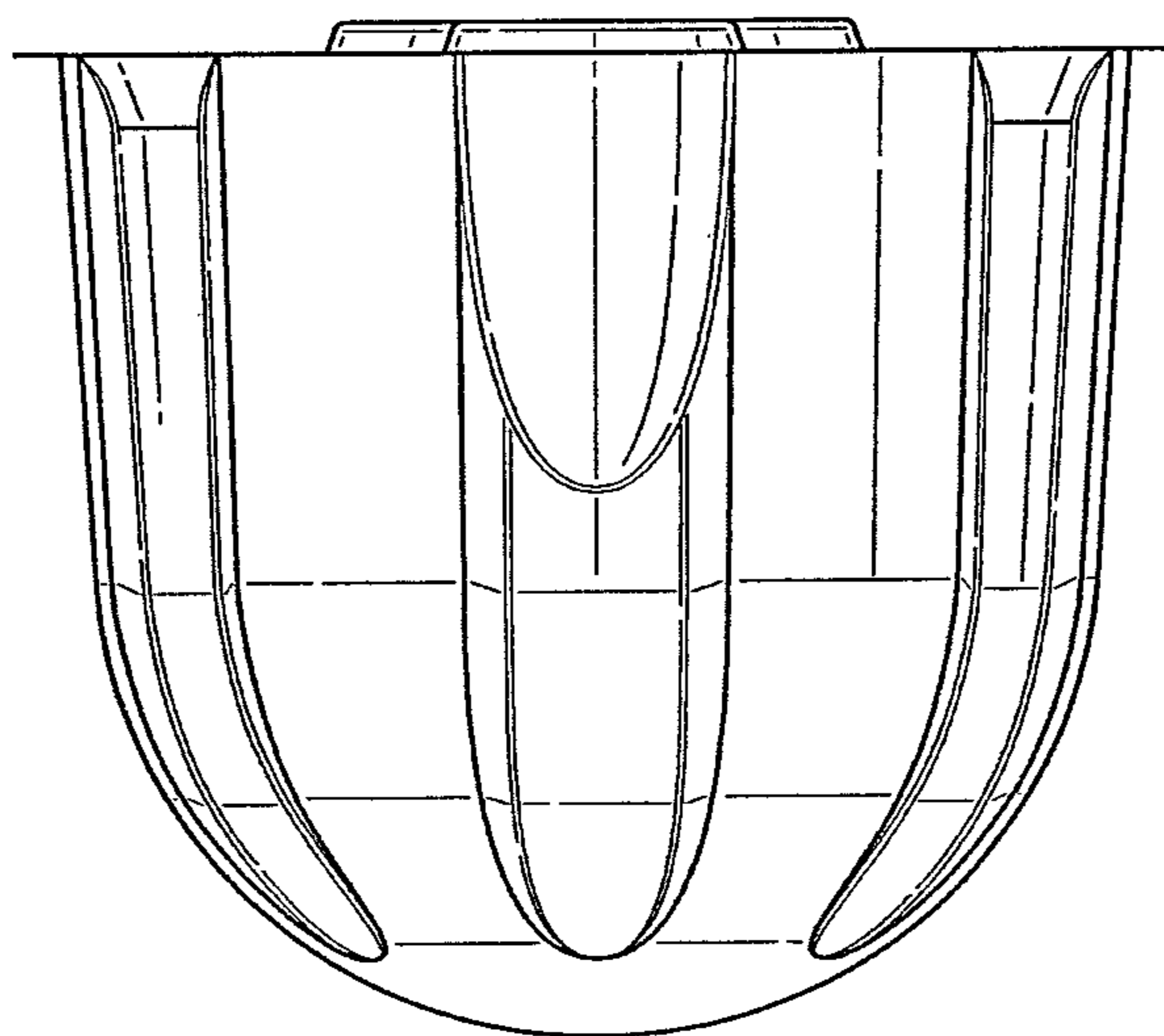


Fig. 5

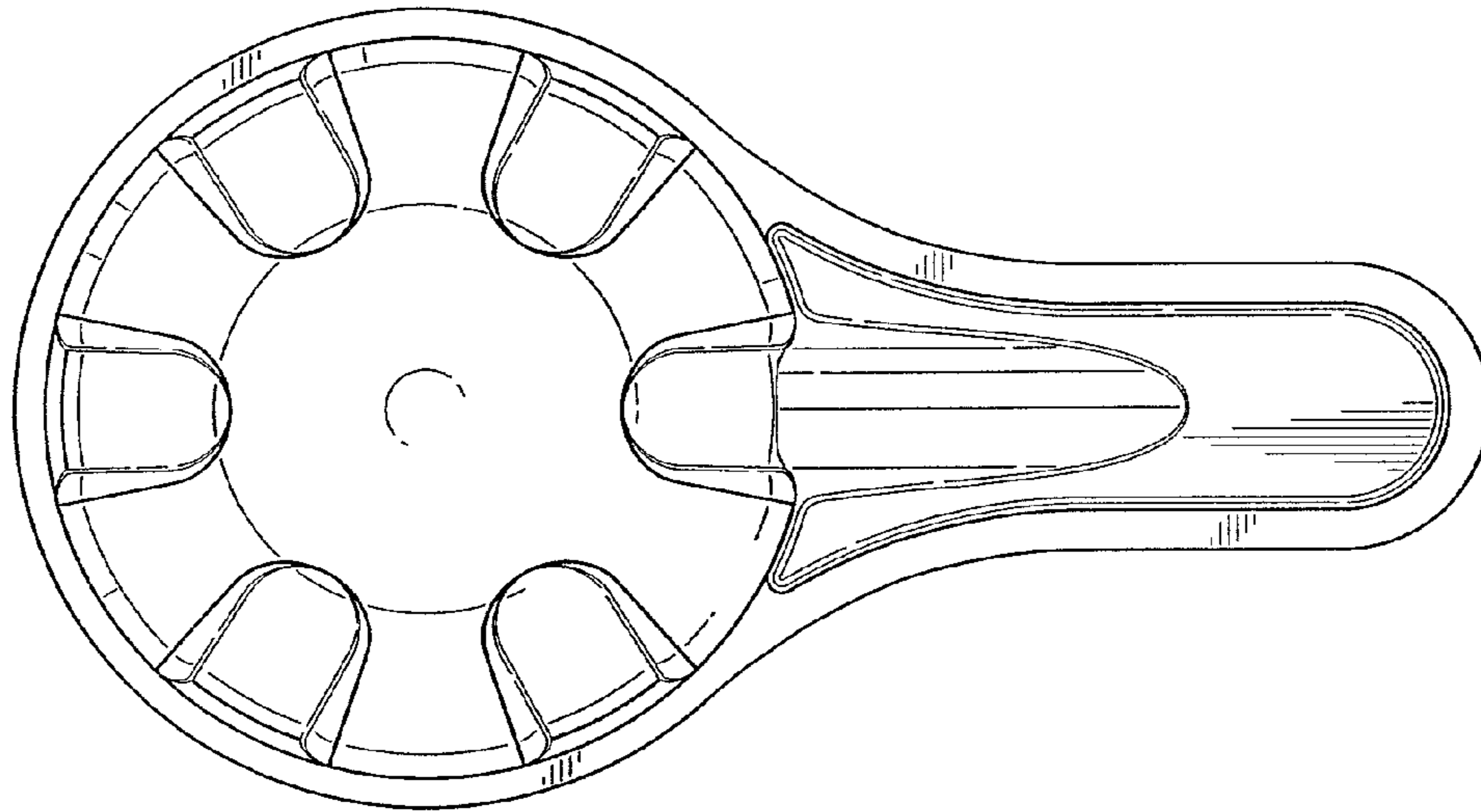


Fig. 6

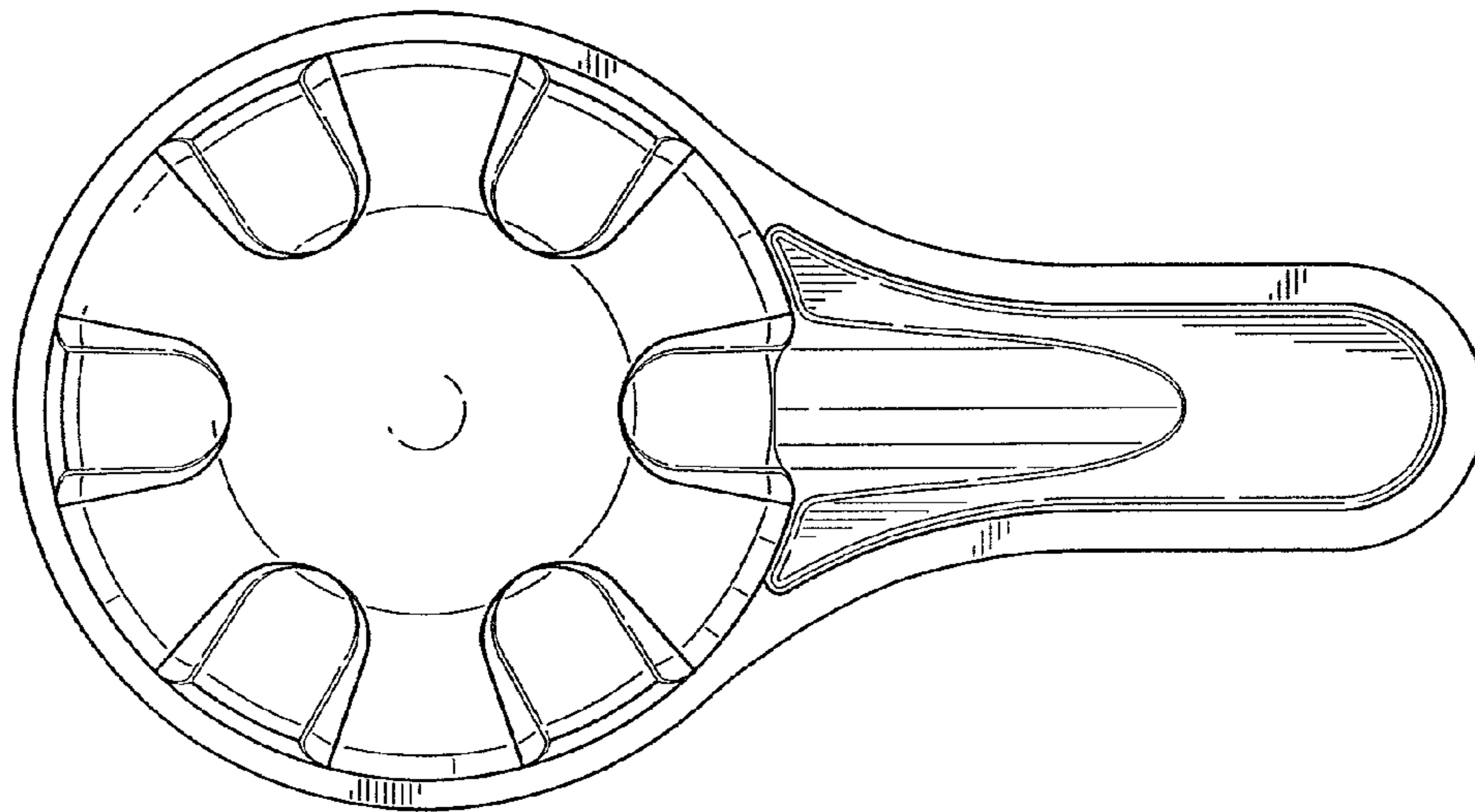


Fig. 7

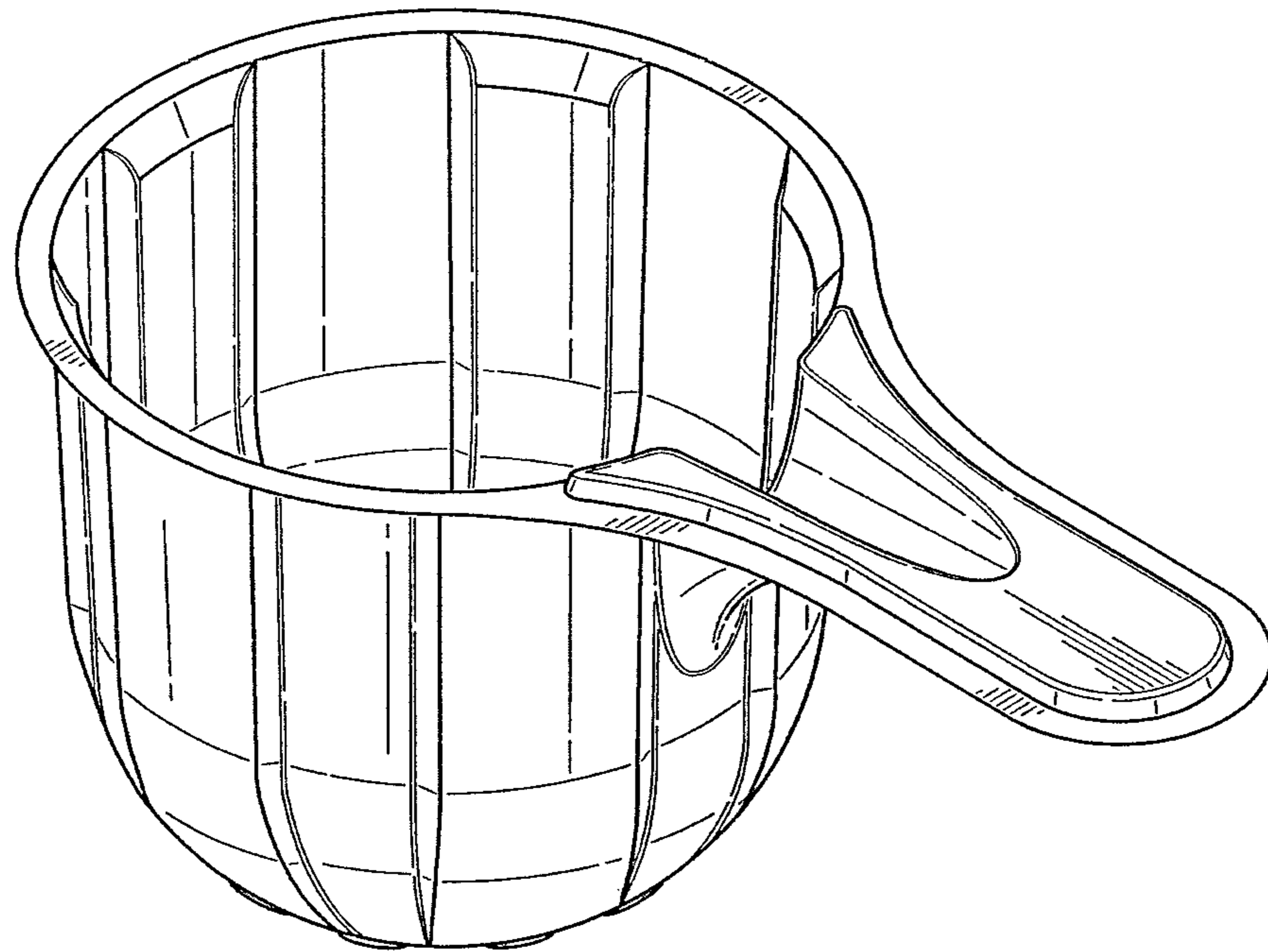


Fig. 8

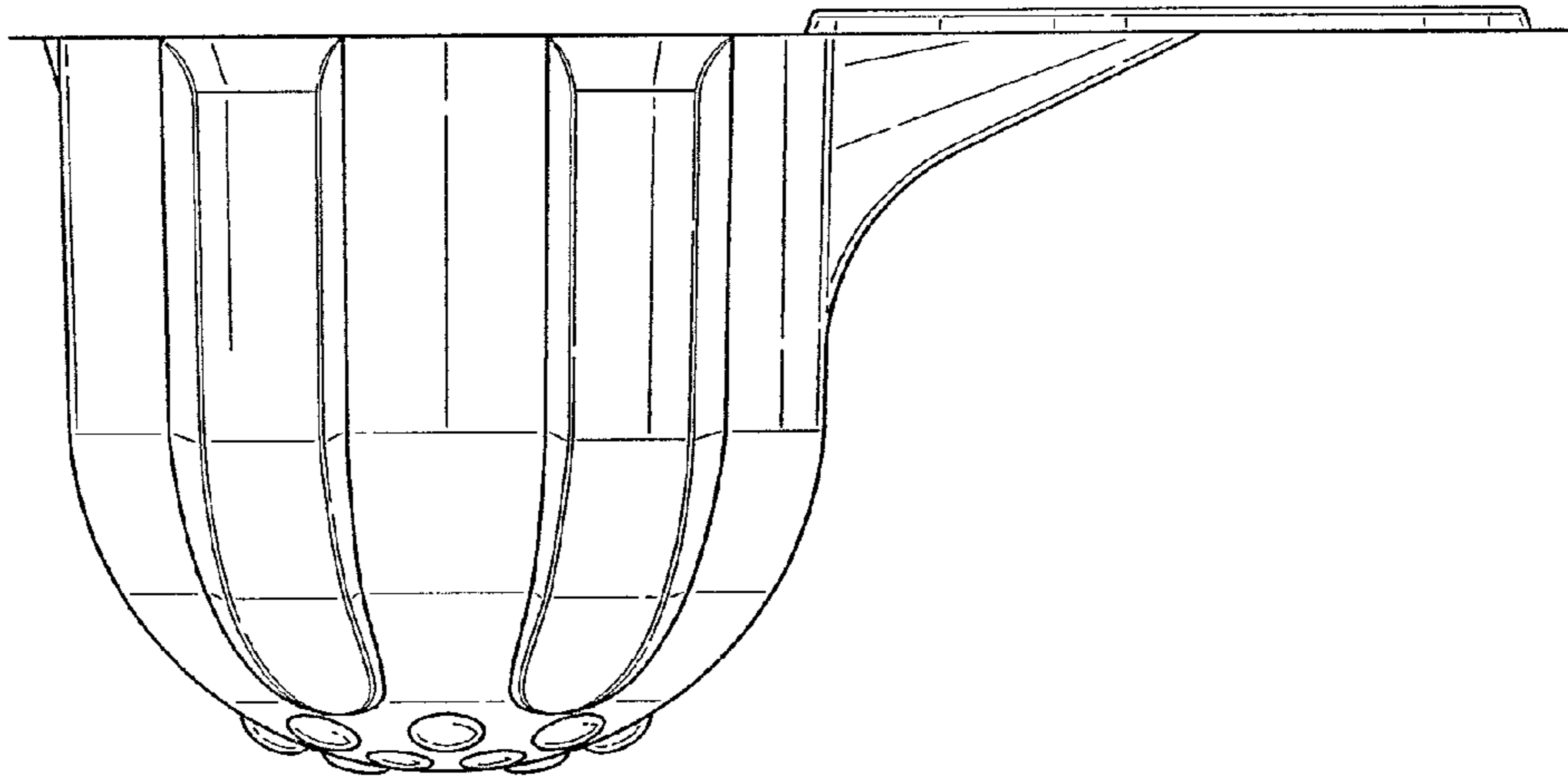


Fig. 9

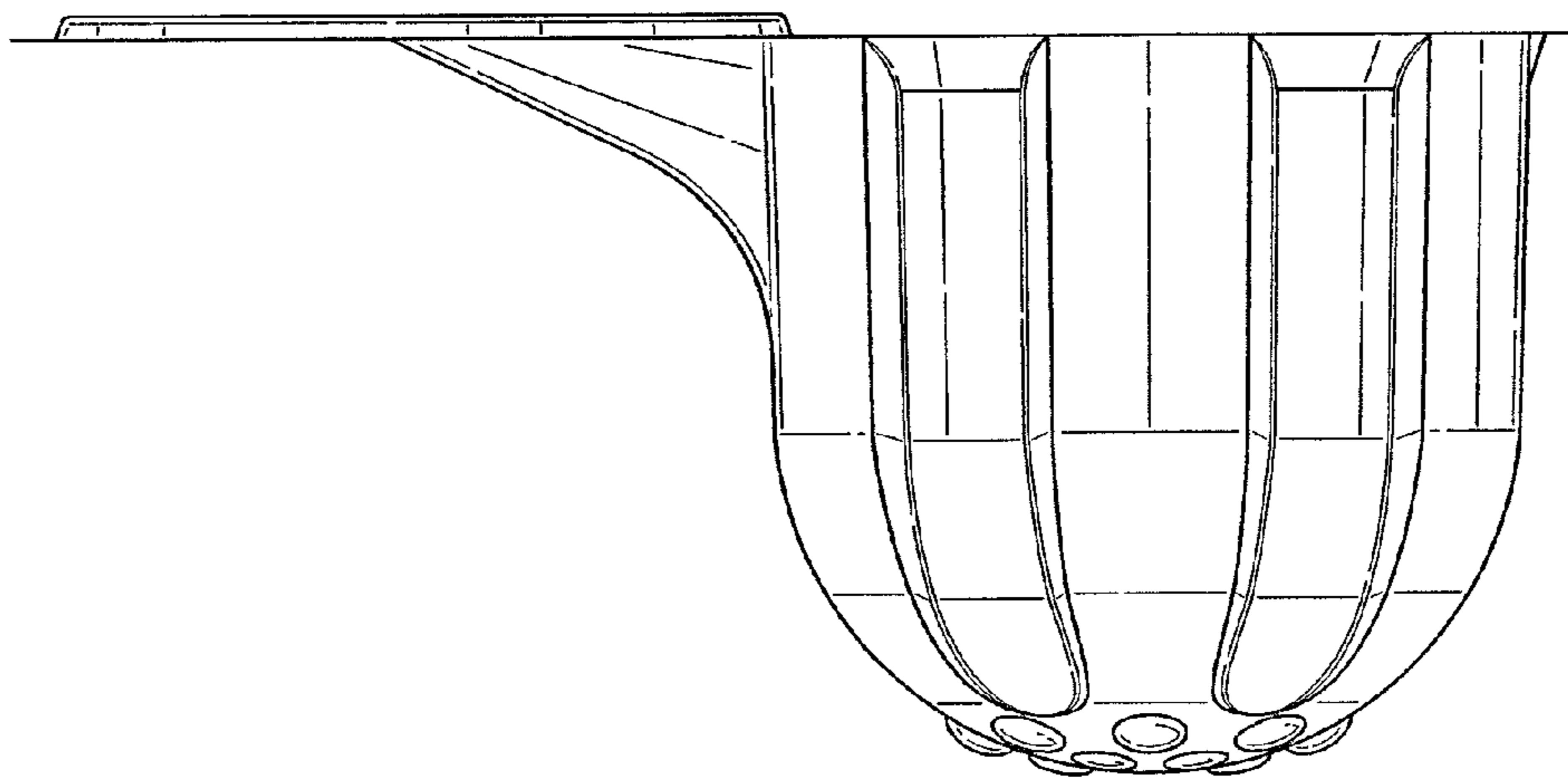


Fig. 10

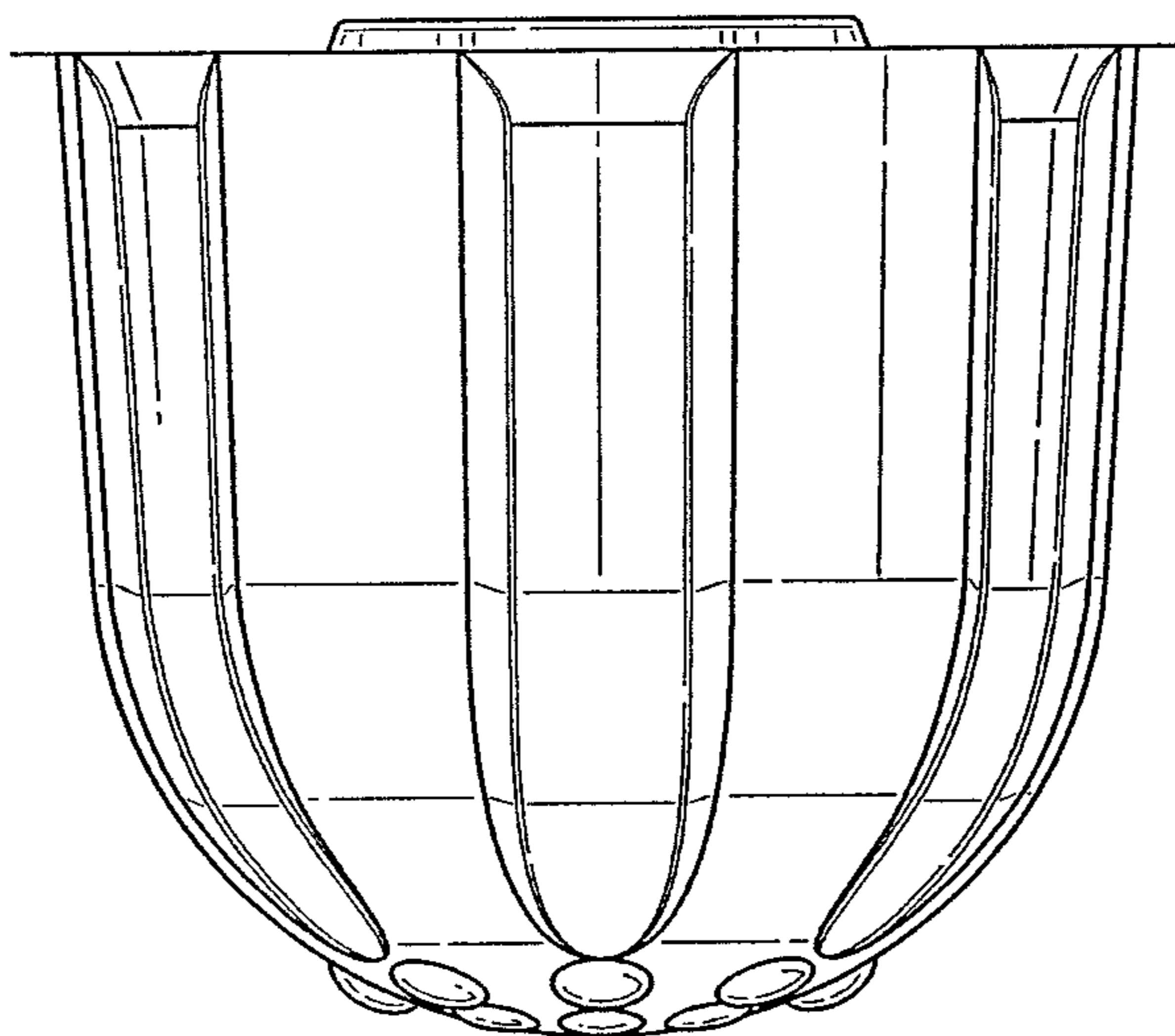


Fig. 11

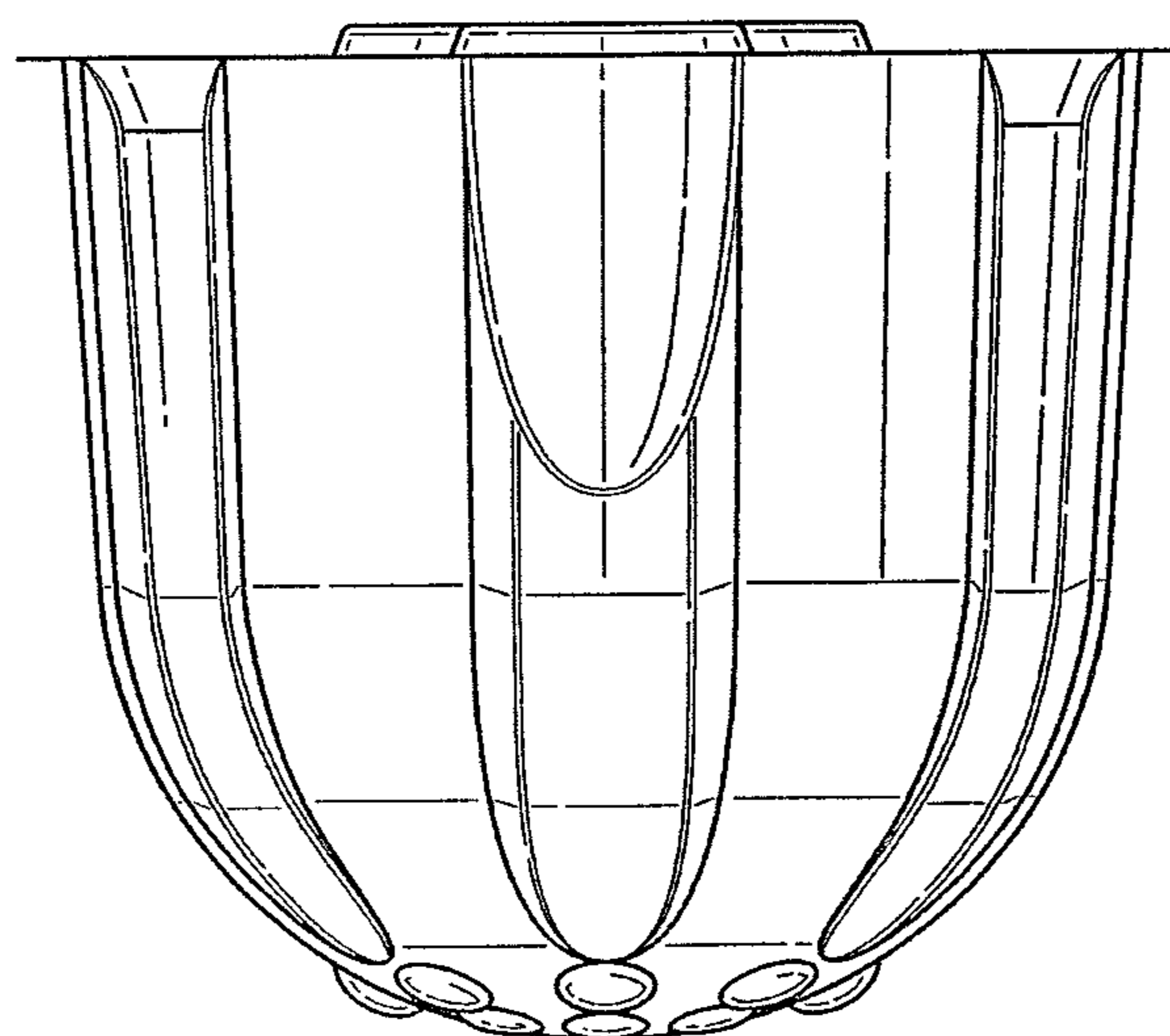


Fig. 12

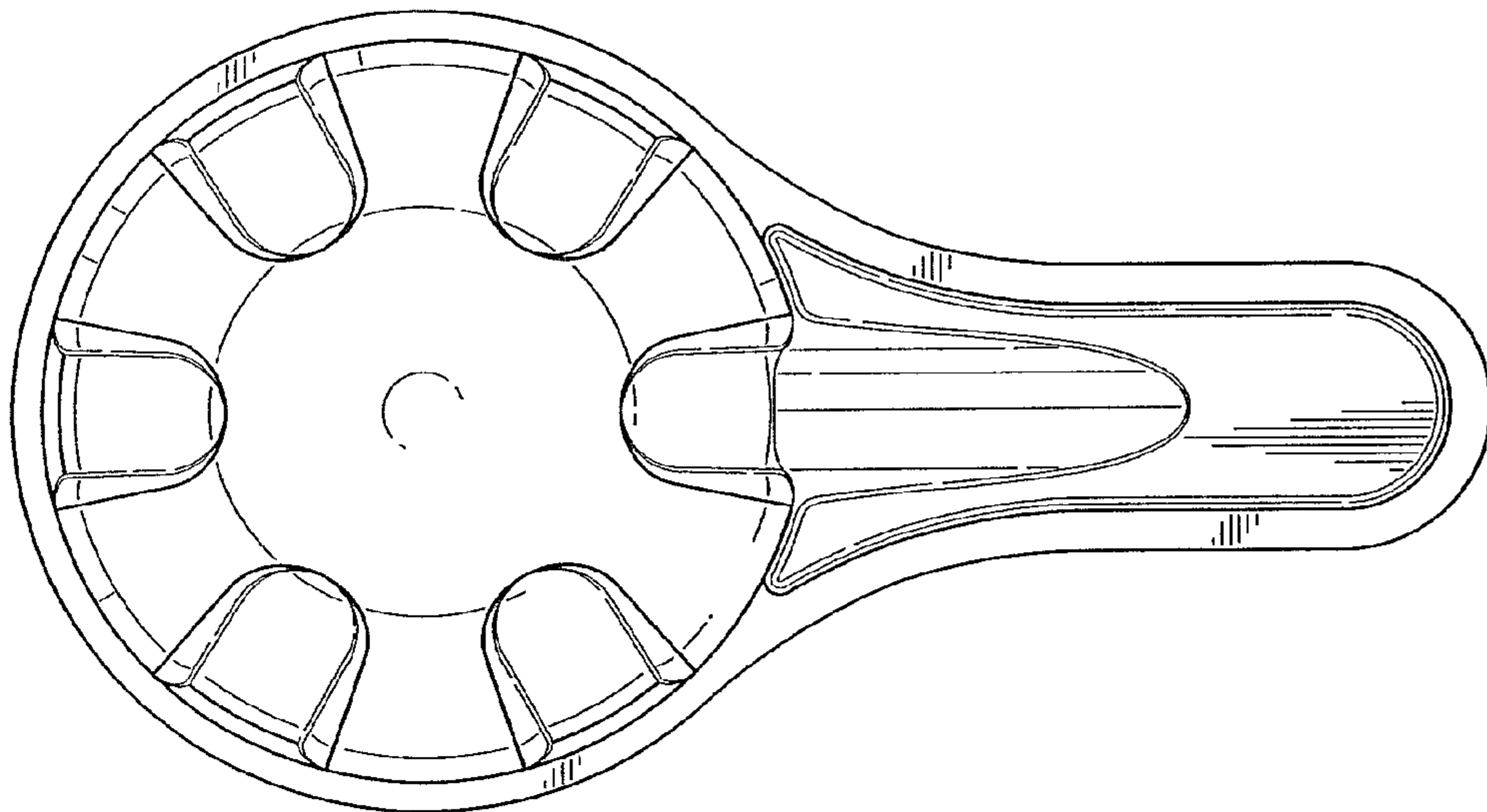


Fig. 13

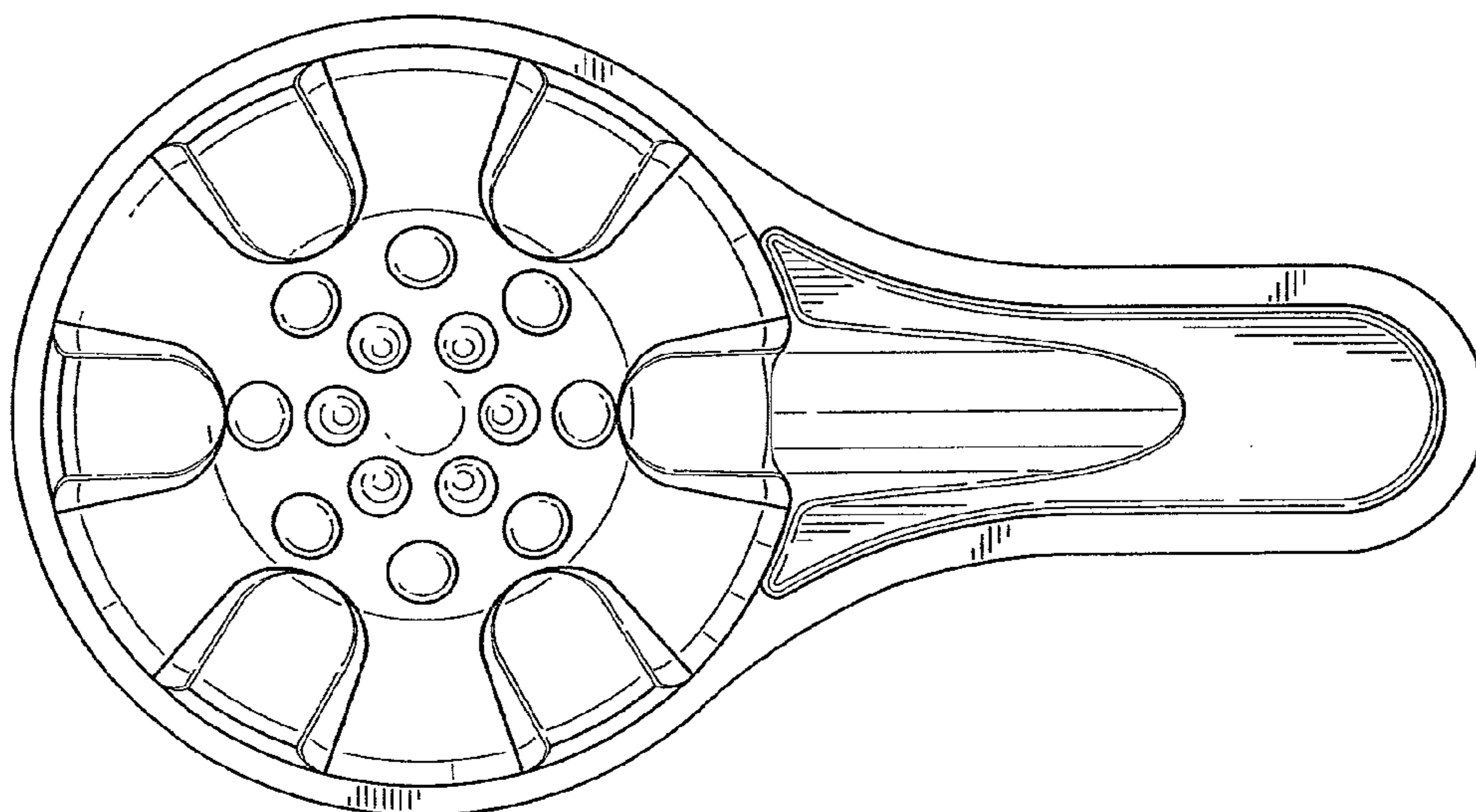


Fig. 14