



US00D715109S

(12) **United States Design Patent**  
**Kiraly et al.**

(10) **Patent No.:** **US D715,109 S**  
(45) **Date of Patent:** **\*\* Oct. 14, 2014**

(54) **SERVING UTENSIL FOR SHEET CAKE AND LASAGNA**

(71) Applicants: **Gyorgy Kiraly**, Los Angeles, CA (US);  
**Lorraine Kiraly**, Los Angeles, CA (US)

(72) Inventors: **Gyorgy Kiraly**, Los Angeles, CA (US);  
**Lorraine Kiraly**, Los Angeles, CA (US)

(\*\*) Term: **14 Years**

(21) Appl. No.: **29/475,139**

(22) Filed: **Nov. 29, 2013**

(51) **LOC (10) Cl.** ..... **07-02**

(52) **U.S. Cl.**  
USPC ..... **D7/688**

(58) **Field of Classification Search**  
CPC ..... A47G 21/045  
USPC ..... D7/680-696, 393, 395, 642, 648;  
294/7, 8; 30/114, 136, 302; 7/109, 110,  
7/113; D32/40, 43, 46  
See application file for complete search history.

(56) **References Cited**

**U.S. PATENT DOCUMENTS**

865,917 A \* 9/1907 Kuehnlein et al. .... 294/33  
D262,346 S \* 12/1981 Riggles et al. .... D7/686

5,165,171 A \* 11/1992 MacLean ..... 30/114  
D396,613 S \* 8/1998 Cousins ..... D7/688  
D437,193 S \* 2/2001 Kontou et al. .... D7/692  
D517,381 S \* 3/2006 Graves et al. .... D7/686  
D601,390 S \* 10/2009 Kiraly ..... D7/648  
D606,371 S \* 12/2009 Kiraly ..... D7/688  
D632,142 S \* 2/2011 Lu ..... D7/688  
D684,025 S \* 6/2013 Watson ..... D8/10

\* cited by examiner

*Primary Examiner* — Terry Wallace

(74) *Attorney, Agent, or Firm* — Thomas I. Rozsa

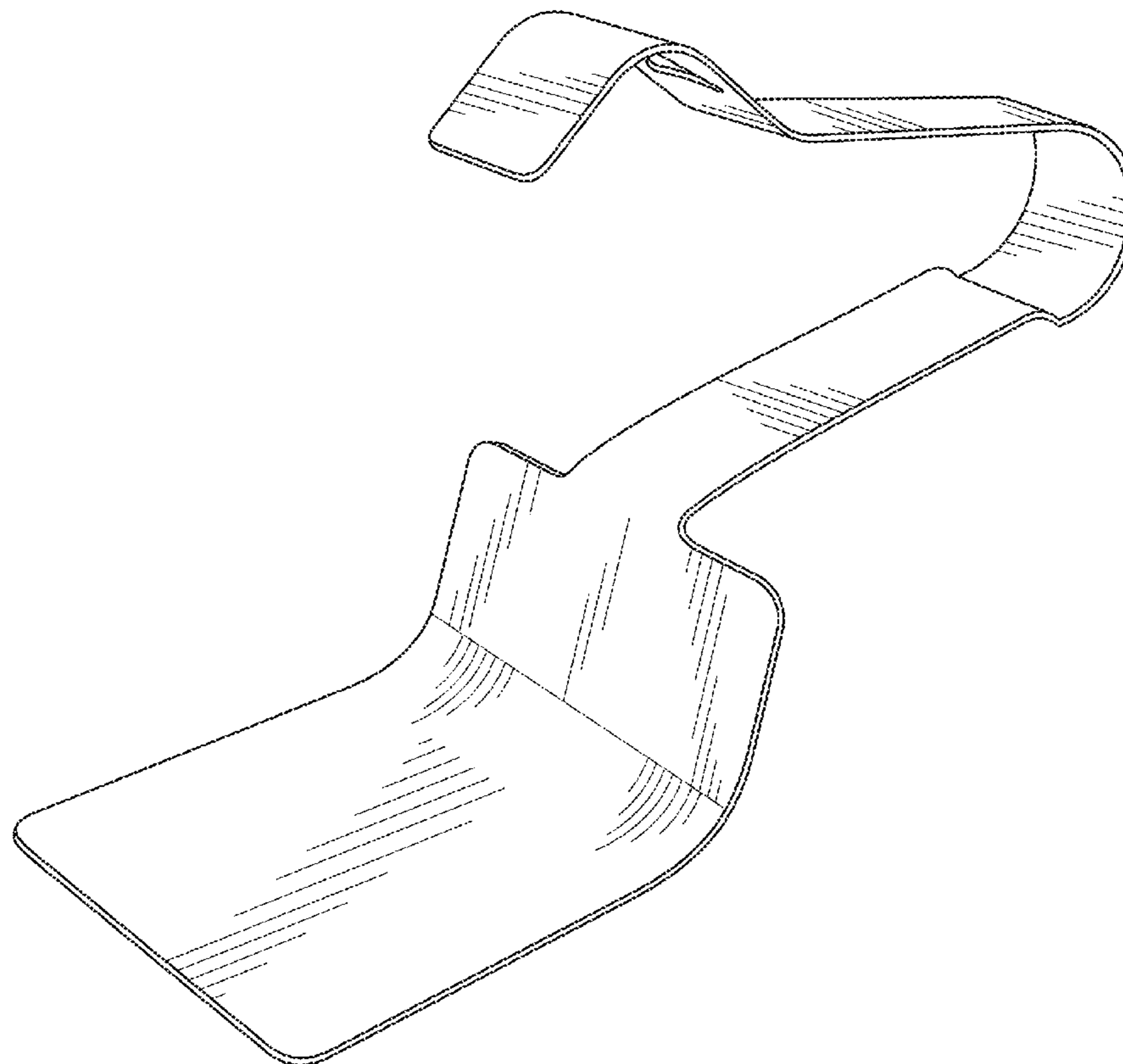
(57) **CLAIM**

The ornamental design for a serving utensil for sheet cake and lasagna, as shown and described.

**DESCRIPTION**

FIG. 1 is a front side perspective view of a serving utensil for sheet cake and lasagna, showing my new design;  
FIG. 2 is a left side perspective view thereof;  
FIG. 3 is a right side view thereof;  
FIG. 4 is a top view thereof;  
FIG. 5 is a bottom view thereof;  
FIG. 6 is a front view thereof; and,  
FIG. 7 rear view thereof.

**1 Claim, 6 Drawing Sheets**



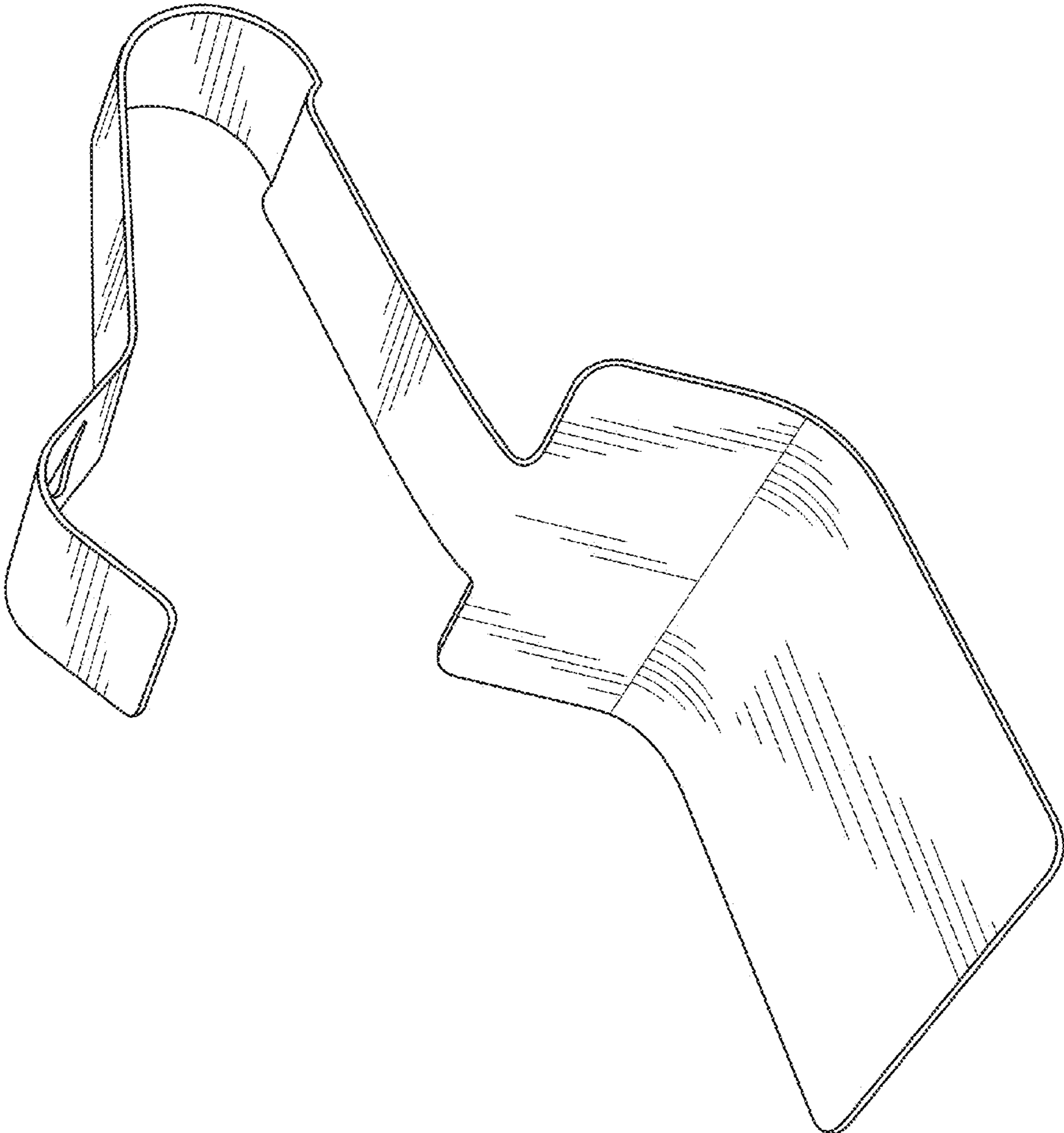


FIG. 1

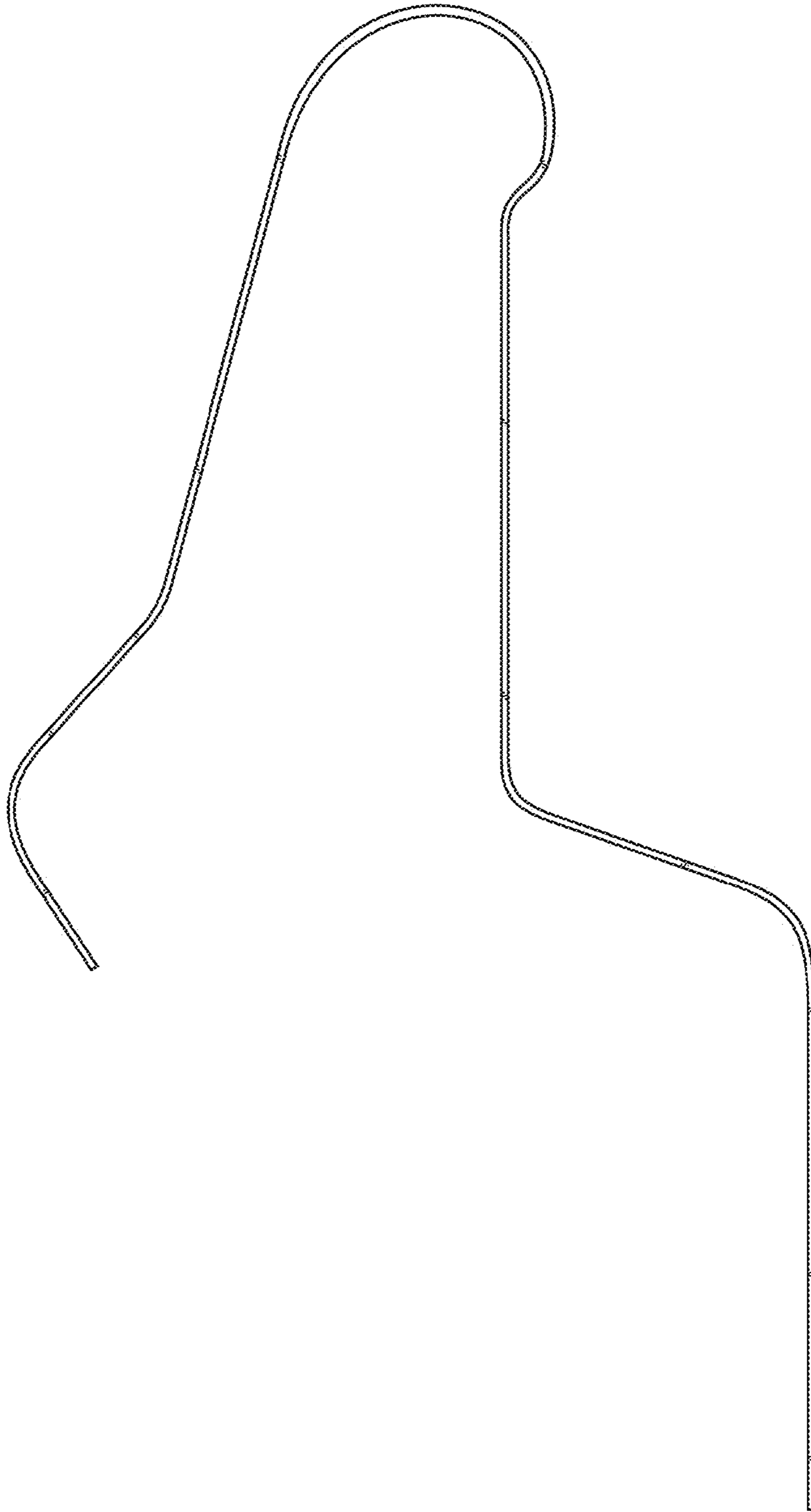


FIG. 2

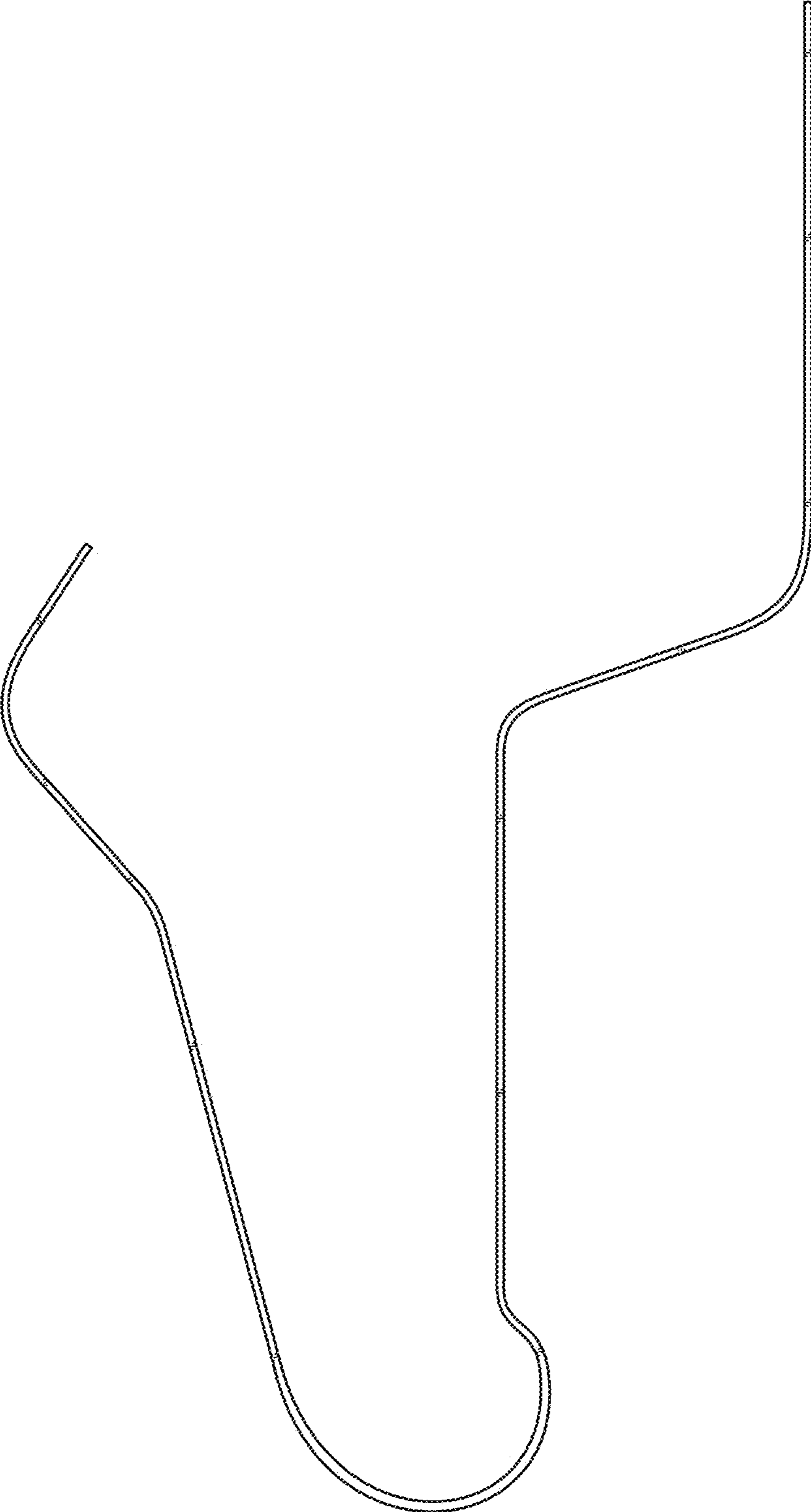


FIG. 3

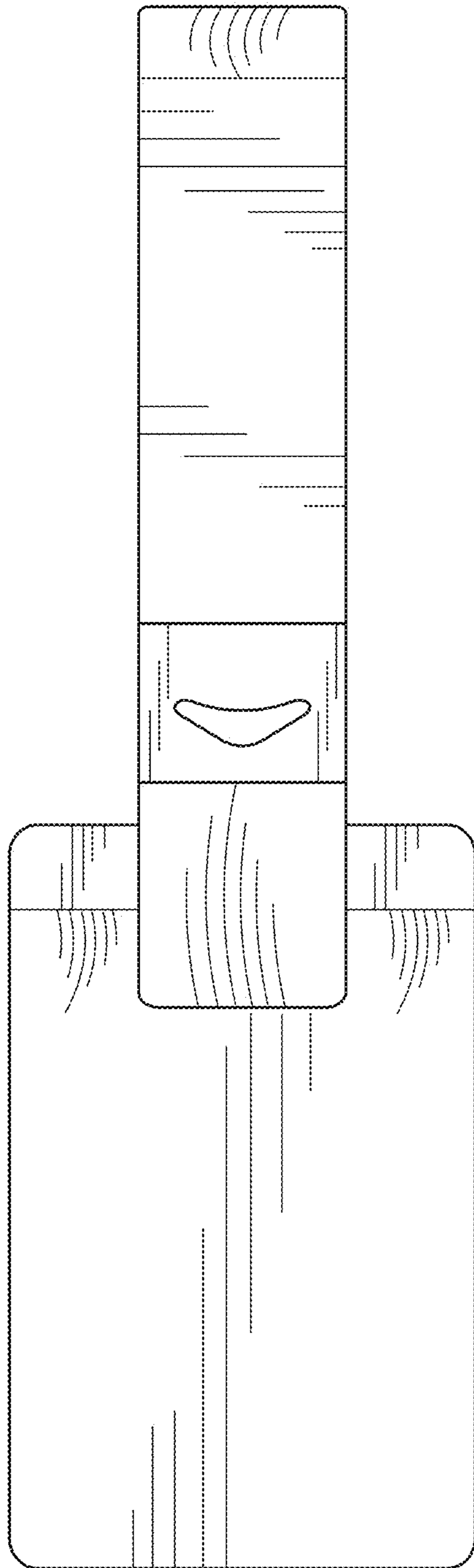


FIG. 4

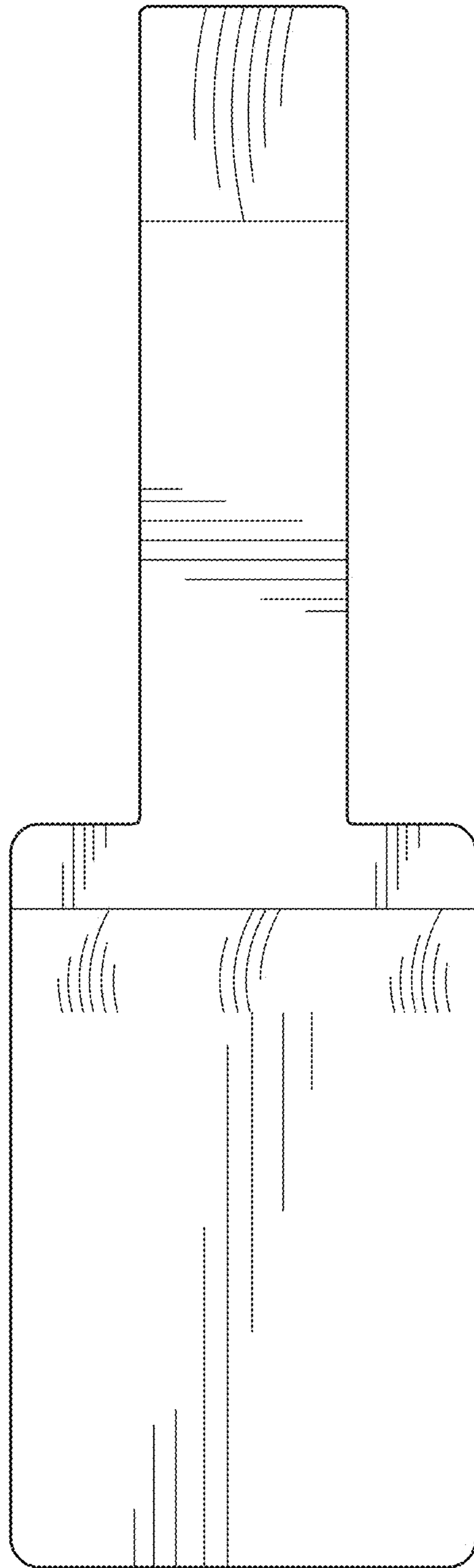


FIG. 5

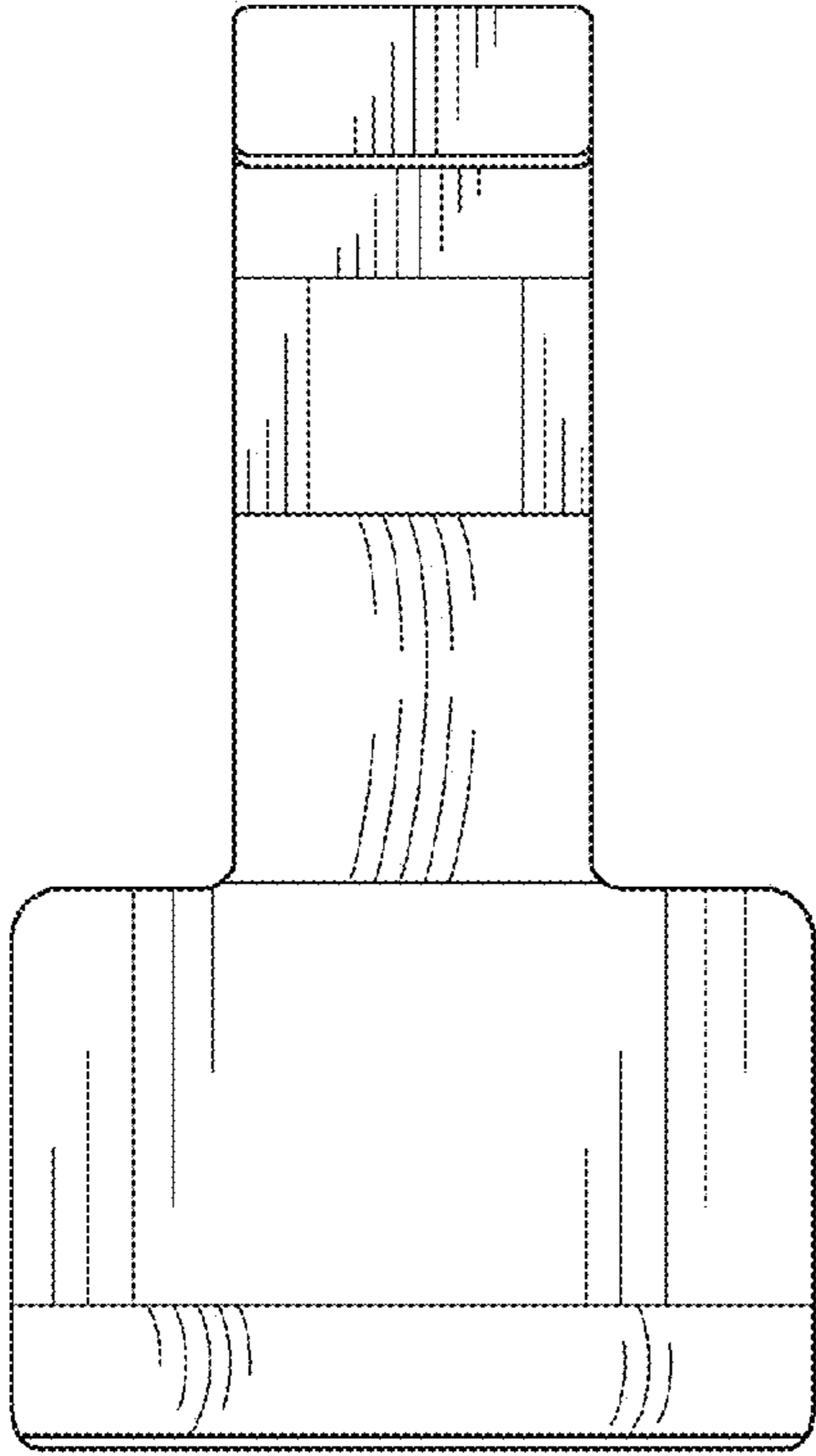


FIG. 6

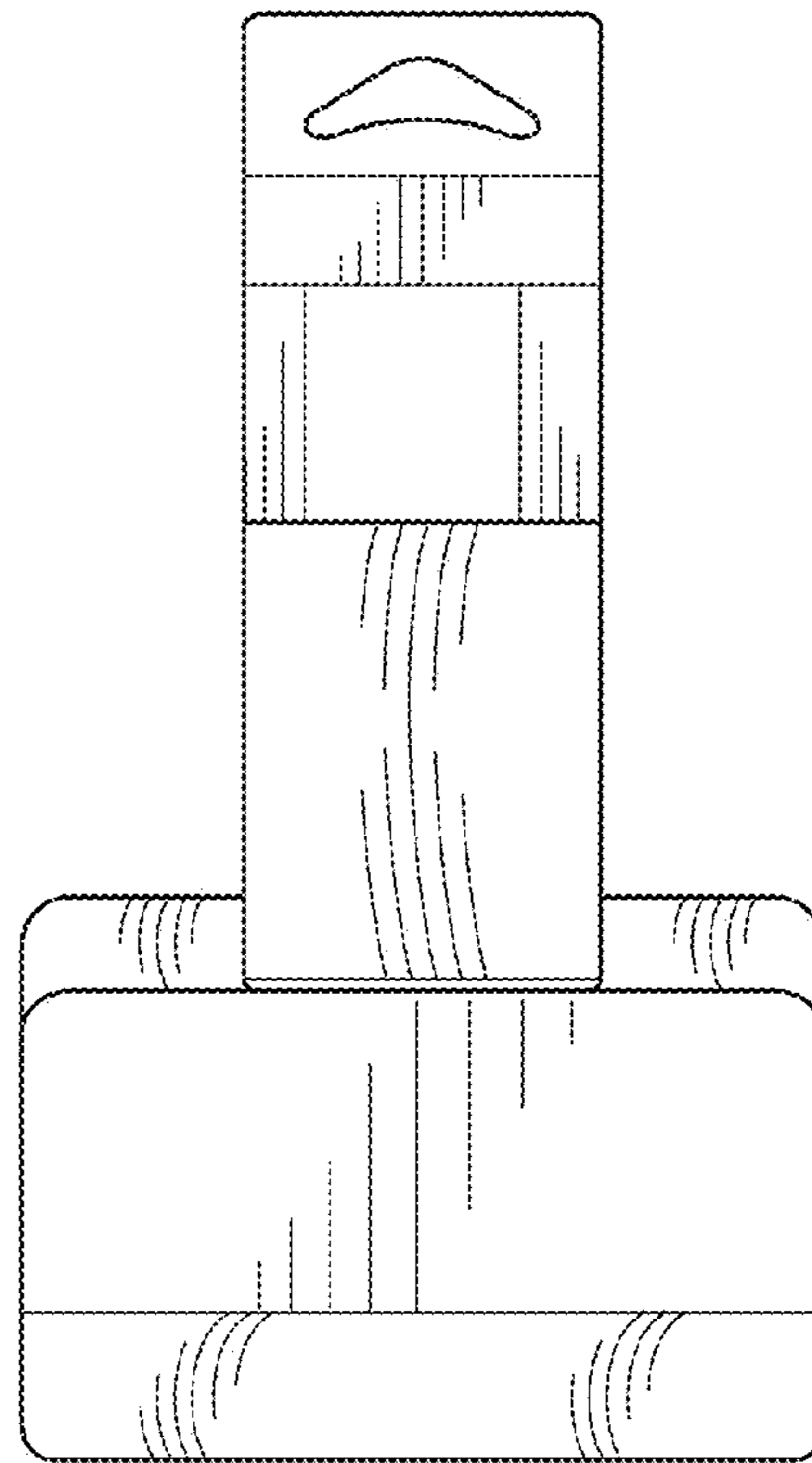


FIG. 7