



US00D715108S

(12) **United States Design Patent**  
**Maxwell et al.**

(10) **Patent No.:** **US D715,108 S**

(45) **Date of Patent:** **\*\* Oct. 14, 2014**

(54) **ZESTER ASSEMBLY**

(71) Applicant: **Lee Valley Tools Ltd.**, Ottawa (CA)

(72) Inventors: **Timothy J. Maxwell**, Stittsville (CA);  
**Leonard G. Lee**, Almonte (CA)

(73) Assignee: **Lee Valley Tools Ltd.**, Ottawa, Ontario  
(CA)

(\*\*) Term: **14 Years**

(21) Appl. No.: **29/469,000**

(22) Filed: **Oct. 4, 2013**

(51) **LOC (10) Cl.** ..... **07-04**

(52) **U.S. Cl.**  
USPC ..... **D7/678**

(58) **Field of Classification Search**

CPC ..... B26D 1/30; B26D 7/18; A47J 25/00;  
A47J 43/25  
USPC ..... D7/672-678, 381-385, 412; 99/565,  
99/537, 538, 552, 547, 509, 430, 556;  
30/114, 152, 301-305, 314-316, 312,  
30/337, 320, 113.1, 123.5, 115-117, 278,  
30/279.6, 280, 286, 287, 383, 389-391;  
83/857, 581.1, 30, 13, 932, 404.3, 662,  
83/435.15, 856, 837, 451, 569, 431;  
407/29.15, 29.1; 241/25, 100, 92-95,  
241/168, 169.1, 273.1-373.4, 30, 36, 37.5;  
100/234, 98 R, 100, 114

See application file for complete search history.

(56) **References Cited**

**U.S. PATENT DOCUMENTS**

1,349,616 A \* 8/1920 Kottman ..... 241/273.4  
4,941,246 A \* 7/1990 Finnegan ..... 407/29.1

(Continued)

**OTHER PUBLICATIONS**

<http://www.kitchenwaredirect.com.au/Kitchenware/Grater-Rasp-Shaver/Scanpan-Rasp-Grater-Pusher-Slider-Attachment>.

(Continued)

*Primary Examiner* — Terry Wallace

(74) *Attorney, Agent, or Firm* — Kilpatrick Townsend & Stockton LLP

(57) **CLAIM**

The ornamental design for a zester assembly, as shown and described.

**DESCRIPTION**

FIG. 1 is a perspective view of one side, one end and the top of the design for the zester assembly of this invention with the plunger fully seated. The perspective view of other side, other end and top of this design has the same appearance.

FIG. 2 is a side view of the zester assembly shown in FIG. 1. The other side of this design has the same appearance.

FIG. 3 is an end view of the zester assembly shown in FIG. 1. The other end of this design has the same appearance.

FIG. 4 is a top plan view of the zester assembly shown in FIG. 1.

FIG. 5 is a bottom plan view of the zester assembly shown in FIG. 1.

FIG. 6 is an exploded perspective view of one side, one end and the bottom of the zester assembly shown in FIG. 1. The exploded perspective view of other side, other end and bottom of this design has the same appearance.

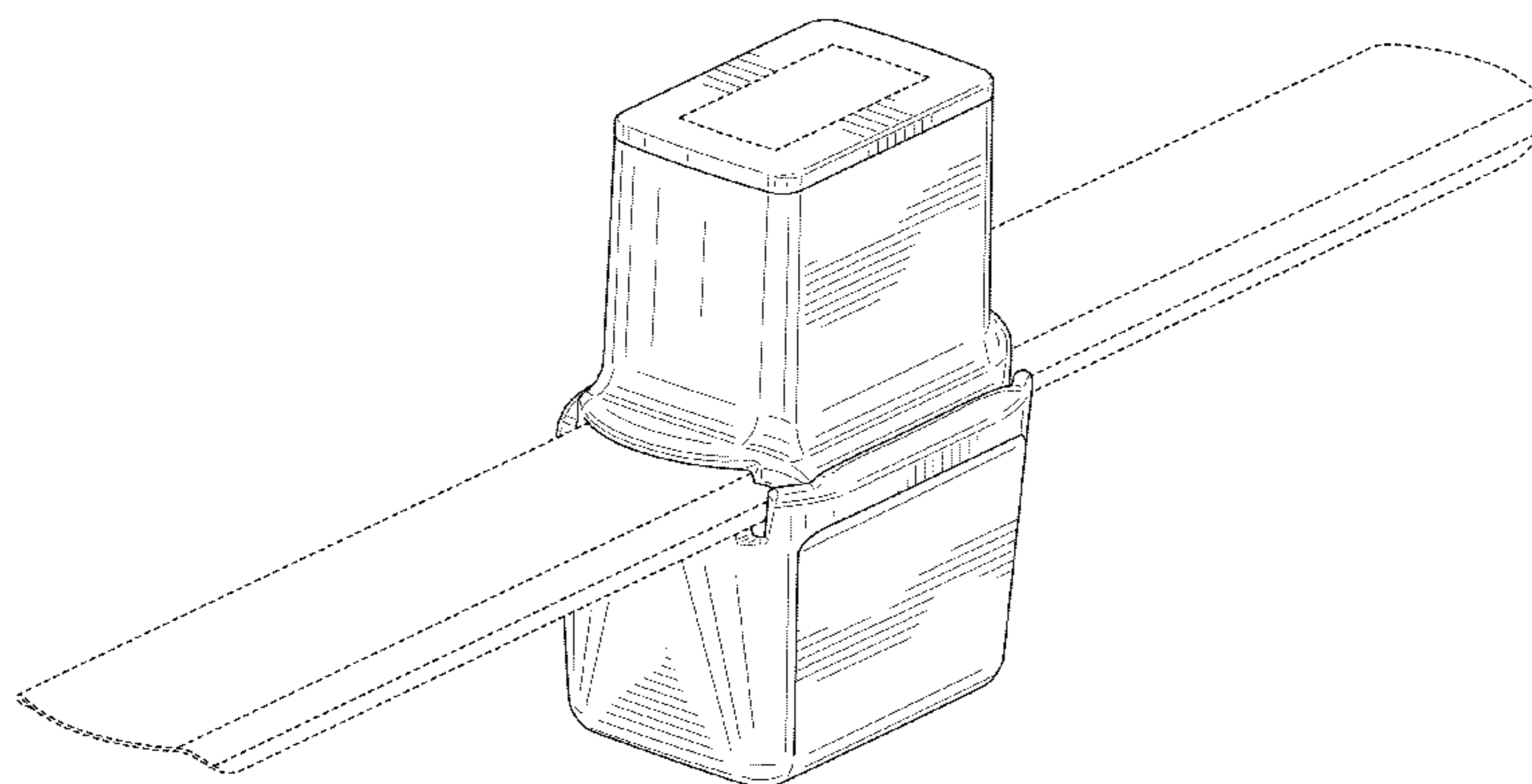
FIG. 7 is an exploded perspective view of one side, one end and the top of the zester assembly shown in FIG. 1. The exploded perspective view of other side, other end and top of this design has the same appearance.

FIG. 8 is an exploded side view of the zester assembly shown in FIG. 1. The exploded side view of the opposite side of this design has the same appearance; and,

FIG. 9 is an exploded end view of the zester assembly shown in FIG. 1. The exploded end view of the opposite end has the same appearance.

The broken lines are for the purpose of illustrating environment and form no part of the claimed design.

**1 Claim, 9 Drawing Sheets**



(56)

**References Cited**

U.S. PATENT DOCUMENTS

D471,067 S \* 3/2003 Coburn et al. .... D7/669  
 D605,906 S \* 12/2009 Smith et al. .... D7/678  
 D666,064 S \* 8/2012 Smith et al. .... D7/678  
 2010/0012758 A1 \* 1/2010 Chalfant et al. .... 241/95

OTHER PUBLICATIONS

<http://www.kitchenwaredirect.com.au/Kitchenware/Grater-Rasp-Shaver/Scanpan-Utility-Grater-Pusher-Slider-Attachment>.  
[https://www.itvsn.com.au/include/oecgi2.php/product?product=158507&site\\_id=ITVSN](https://www.itvsn.com.au/include/oecgi2.php/product?product=158507&site_id=ITVSN).  
[http://www.oo.com.au/Cuisipro-Razor-Sharp-Coarse-Gr\\_P34626.cfm?AFID=14&cm\\_mmc=GetPrice--KitchenAppliances--KitchenGadgetsUtensils--HMHCC746877&utm\\_source=GetPrice&utm\\_medium=CSE&utm\\_campaign=HMHCC746877](http://www.oo.com.au/Cuisipro-Razor-Sharp-Coarse-Gr_P34626.cfm?AFID=14&cm_mmc=GetPrice--KitchenAppliances--KitchenGadgetsUtensils--HMHCC746877&utm_source=GetPrice&utm_medium=CSE&utm_campaign=HMHCC746877).  
<http://www.kitchenwaredirect.com.au/Kitchenware/Grater-Rasp-Shaver/Microplane-Gourmet-Series-Slider-Attachment>.

<http://www.delidiscout.com/en/microplane-rasp-holder-gourmet-series.html>.  
[http://www.edgewareproducts.com/product/int\\_grater\\_attachment/](http://www.edgewareproducts.com/product/int_grater_attachment/).  
<http://www.amazon.com/dp/B005D0990E>.  
[http://www.amazon.com/KitchenAid-Gourmet-Handle-Bi-Directional-Grater/dp/B005FQ28BS/ref=pd\\_sim\\_sbs\\_k\\_8](http://www.amazon.com/KitchenAid-Gourmet-Handle-Bi-Directional-Grater/dp/B005FQ28BS/ref=pd_sim_sbs_k_8).  
<http://www.thehomestoreonline.co.nz/itemdetails/Stellar-Premium-Grater-Safety-Pusher/4210.aspx?filter=brand=41>.  
<http://www.fantes.com/matfer-mandolin.html>.  
<http://www.bedbathandbeyond.com/product.asp?SKU=10496373&RN=211&>.  
<http://cilantrocooks.com/mandolines-and-slicers/zyliss-smart-guard-gourmet-mandoline.html>.  
<http://www.everten.com.au/Mastrad-Mandonlin-With-Catcher.html>.  
<http://www.bedbathandbeyond.com/product.asp?SKU=10512484&RN=211&>.

\* cited by examiner

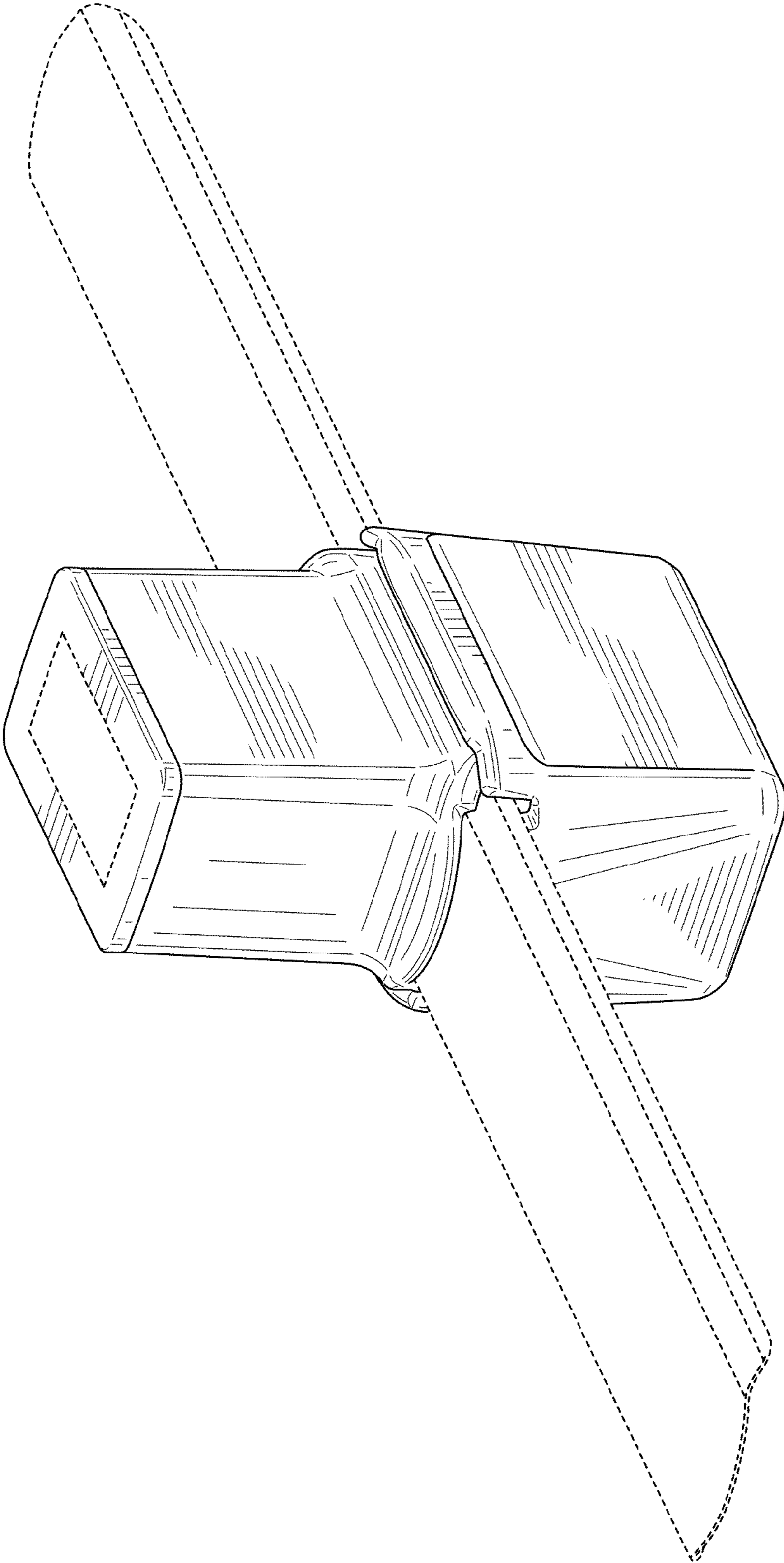


FIG. 1

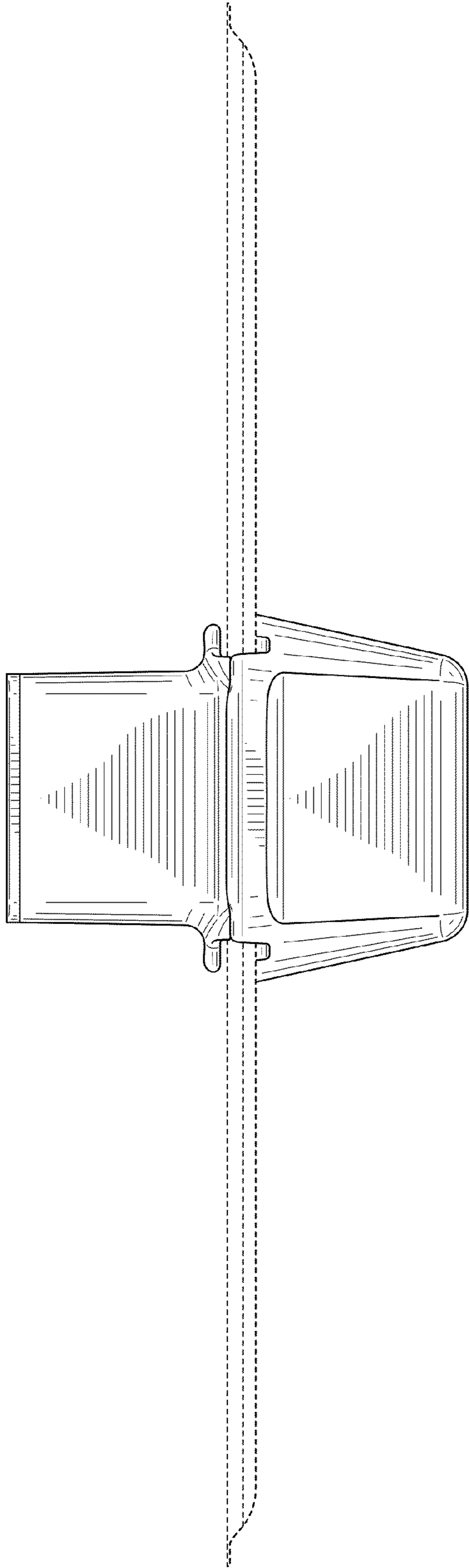


FIG. 2

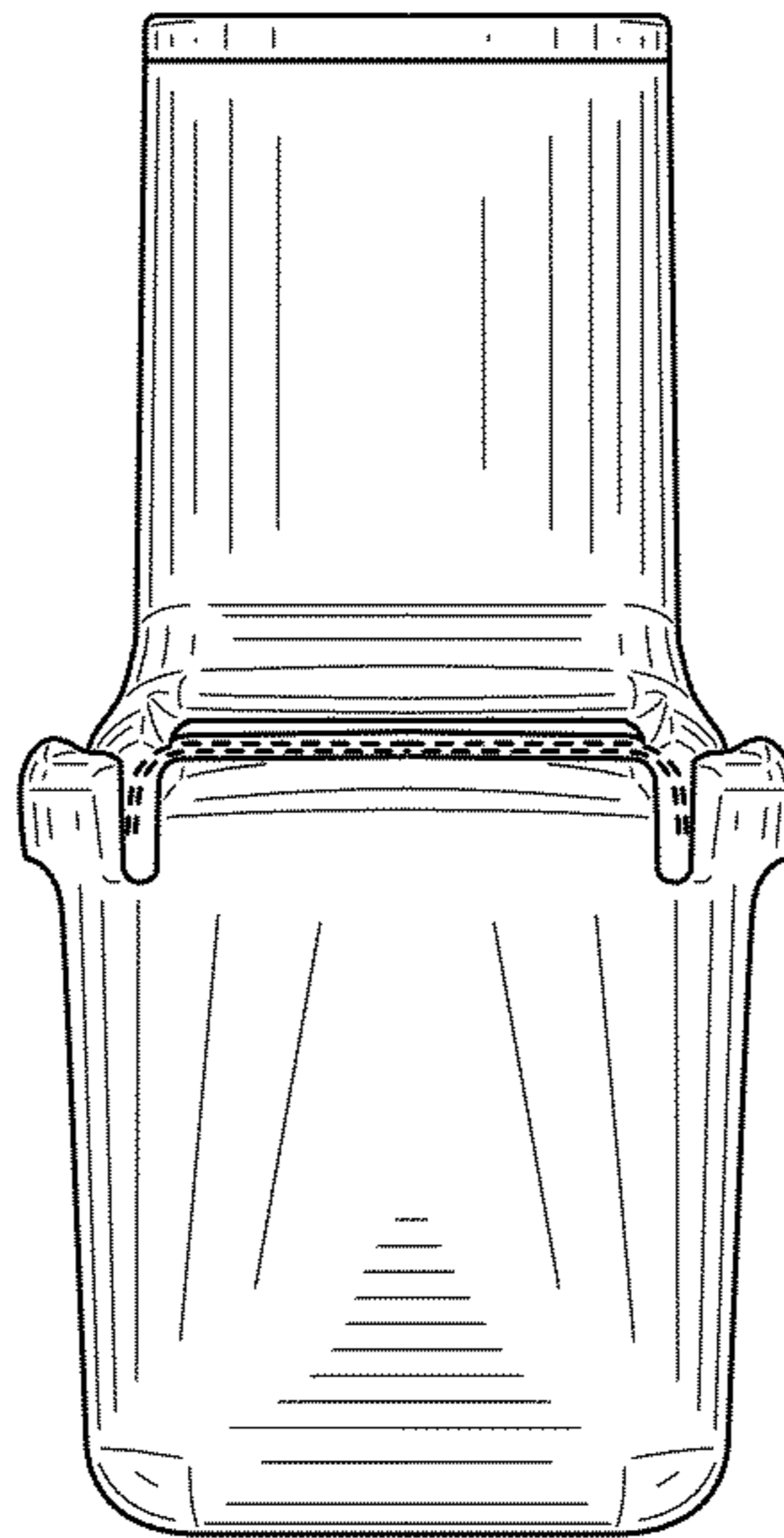


FIG. 3

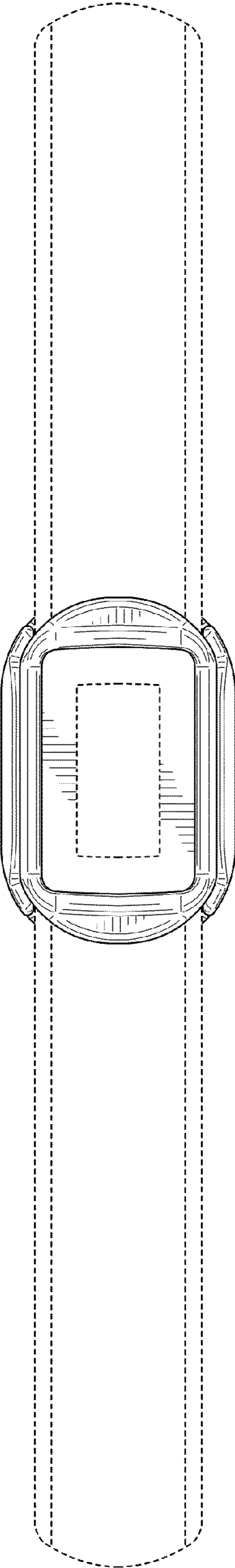


FIG. 4

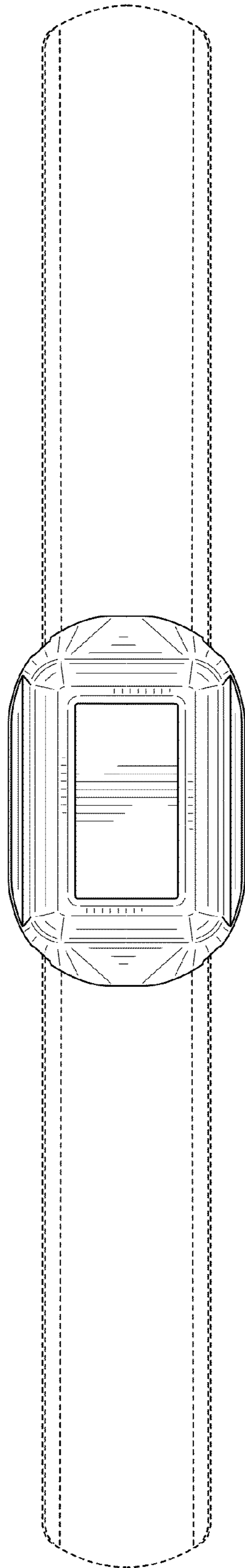


FIG. 5

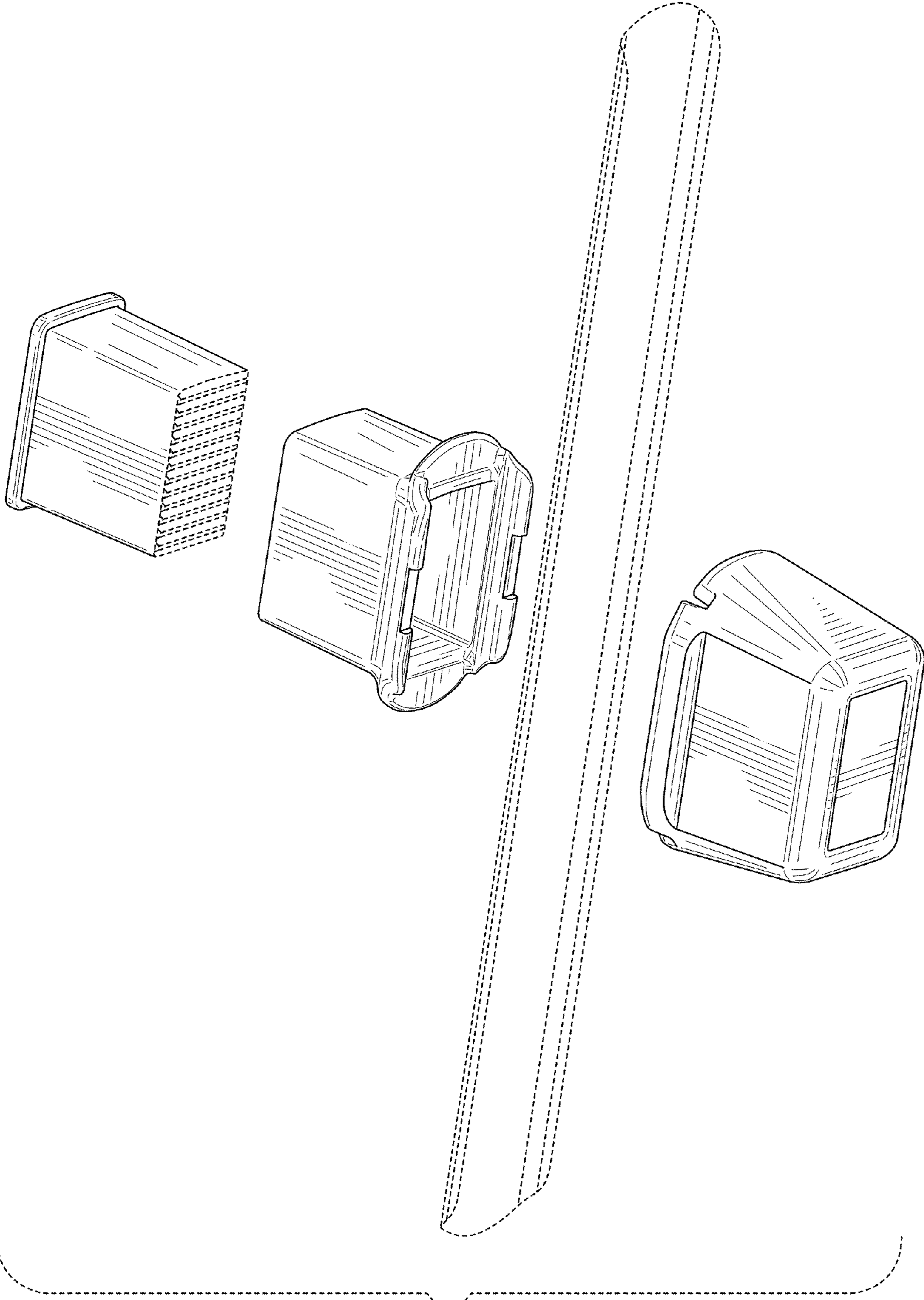


FIG. 6



FIG. 7

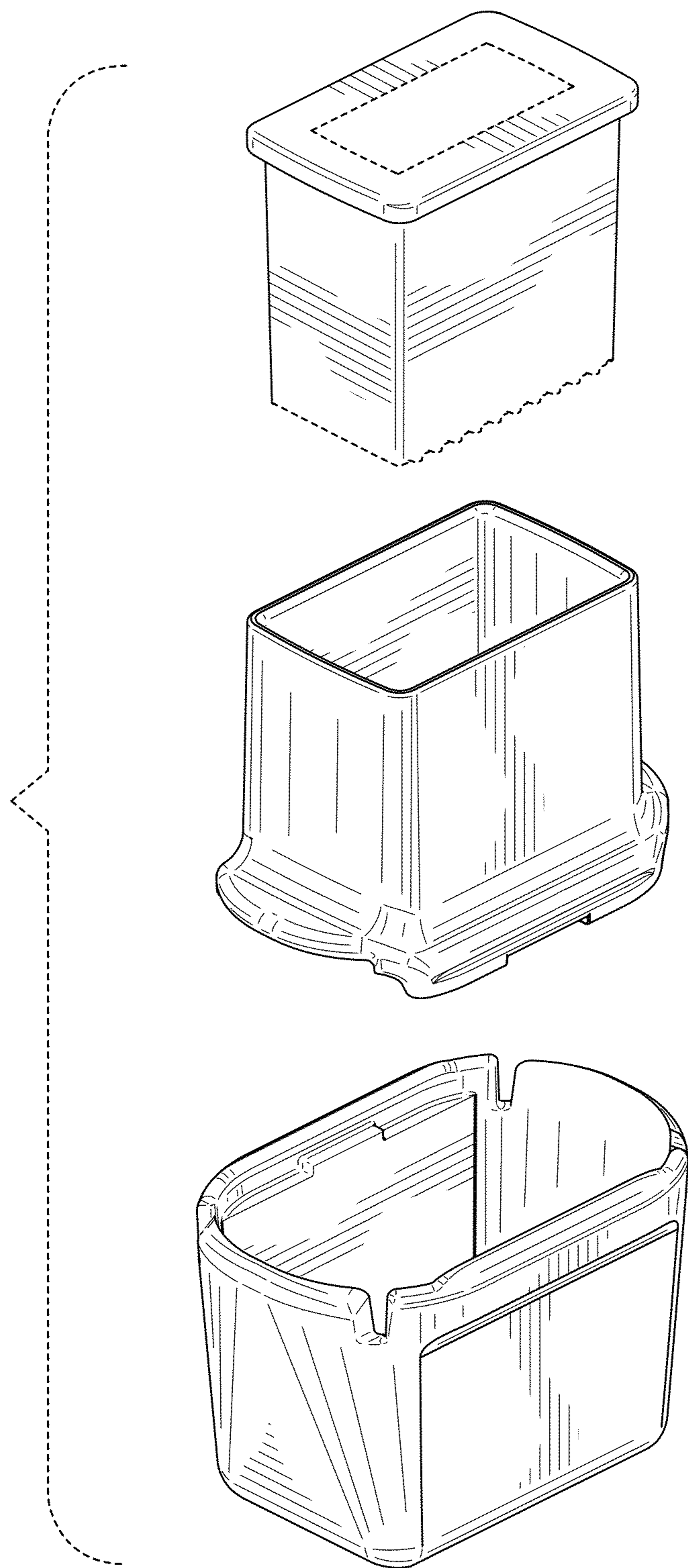


FIG. 8

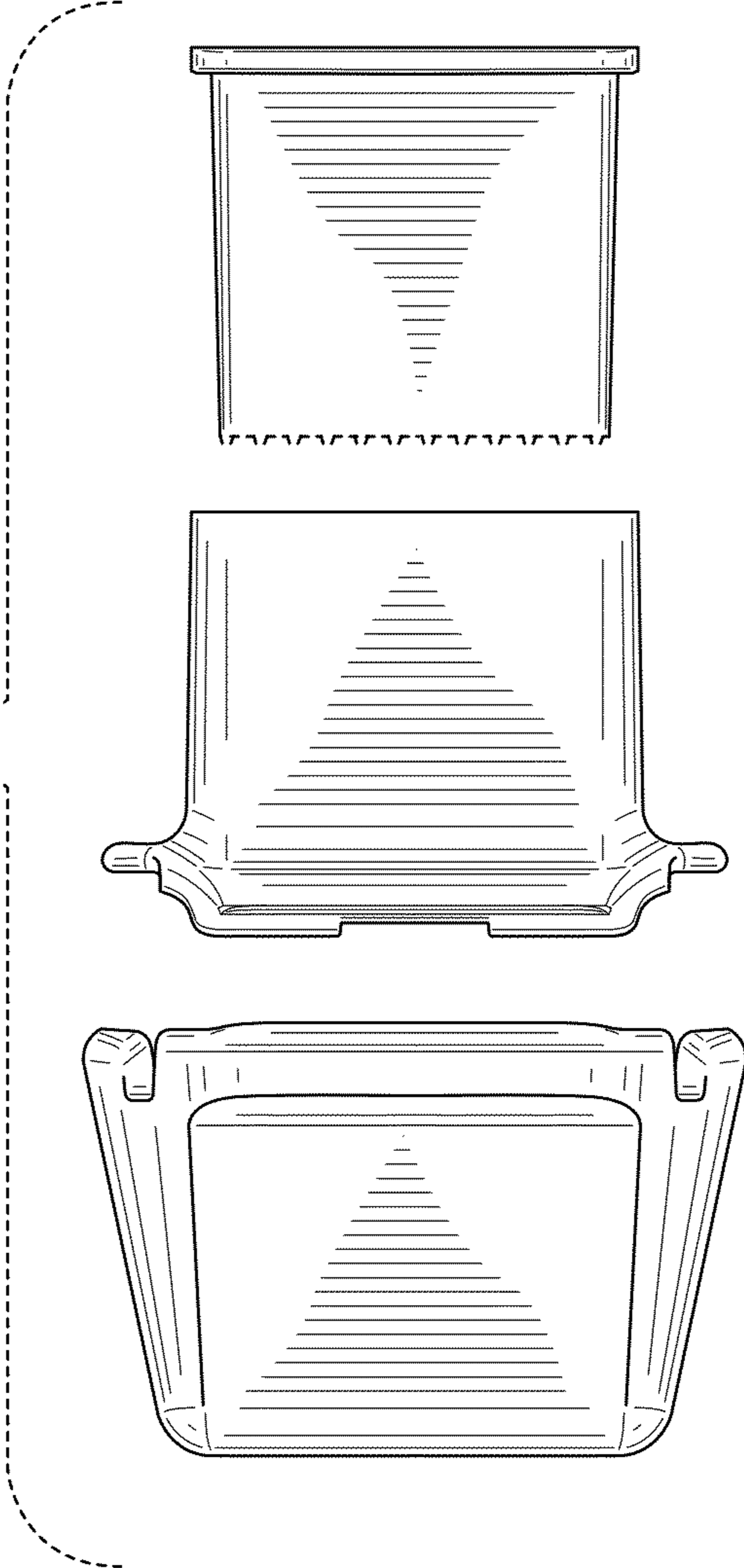


FIG. 9

