



US00D715106S

(12) **United States Design Patent**
Wong

(10) **Patent No.:** **US D715,106 S**
(45) **Date of Patent:** **** Oct. 14, 2014**

(54) **OIL REMOVER**

(75) Inventor: **S. W. Alex Wong**, Hong Kong (HK)

(73) Assignee: **King's Flair Development Ltd.**, Hong Kong (HK)

(**) Term: **14 Years**

(21) Appl. No.: **29/428,245**

(22) Filed: **Jul. 27, 2012**

(51) **LOC (10) Cl.** **07-04**

(52) **U.S. Cl.**
USPC **D7/669**

(58) **Field of Classification Search**

USPC D7/368, 669, 682, 387, 590; 401/197, 401/6, 209, 213, 9, 279, 283; 99/400, 425, 99/446, 422, 495, 496, 508; 210/470, 498, 210/514; D28/7, 8, 45, 48, 54.1, 56, 57, 59; D32/45, 52, 2; 222/213; 132/320, 317; D19/70, 71

See application file for complete search history.

(56) **References Cited**

U.S. PATENT DOCUMENTS

1,947,042	A *	2/1934	Glennan	401/174
2,242,947	A *	5/1941	Griffis	401/130
2,408,860	A *	10/1946	Lindblad	15/244.1
3,286,686	A *	11/1966	Staver	401/6
3,520,446	A *	7/1970	Chaffee	222/457.5
D232,150	S *	7/1974	Mckinney	D32/52
D233,879	S *	12/1974	Howard	D32/52
D238,242	S *	12/1975	Schwartzman	D32/52
D289,595	S *	5/1987	Taljaard	D7/672
4,722,326	A *	2/1988	Ruderian	601/16
4,728,210	A *	3/1988	Barish et al.	401/6
D319,120	S *	8/1991	Kuhn	D32/52
D319,781	S *	9/1991	Halm et al.	D32/29.1
5,213,431	A *	5/1993	Gentile et al.	401/219

D406,019	S *	2/1999	La Gro	D7/682
D418,630	S *	1/2000	Flory	D28/7
6,224,283	B1 *	5/2001	Hay	401/145
D490,561	S *	5/2004	Angeletta	D28/7
D502,569	S *	3/2005	Longoria	D28/7
D505,749	S *	5/2005	Angeletta	D28/7
D507,075	S *	7/2005	Ames	D28/7
D512,567	S *	12/2005	Eckhardt	D4/102
D574,152	S *	8/2008	Holcomb et al.	D4/114
7,618,208	B2 *	11/2009	Baines et al.	401/213
7,841,797	B2 *	11/2010	Delage	401/216
D670,979	S *	11/2012	Chan	D7/669
D689,336	S *	9/2013	Slocumb et al.	D7/590
2004/0005186	A1 *	1/2004	Ueda et al.	401/194
2004/0253044	A1 *	12/2004	Miranda	401/209
2005/0084317	A1 *	4/2005	Kliegman et al.	401/6
2006/0165475	A1 *	7/2006	Kervoalen	401/213
2010/0226707	A1 *	9/2010	Maelstaf et al.	401/213

* cited by examiner

Primary Examiner — Ian Simmons

Assistant Examiner — Shannon Morgan

(74) *Attorney, Agent, or Firm* — Wendy K. Marsh

(57) **CLAIM**

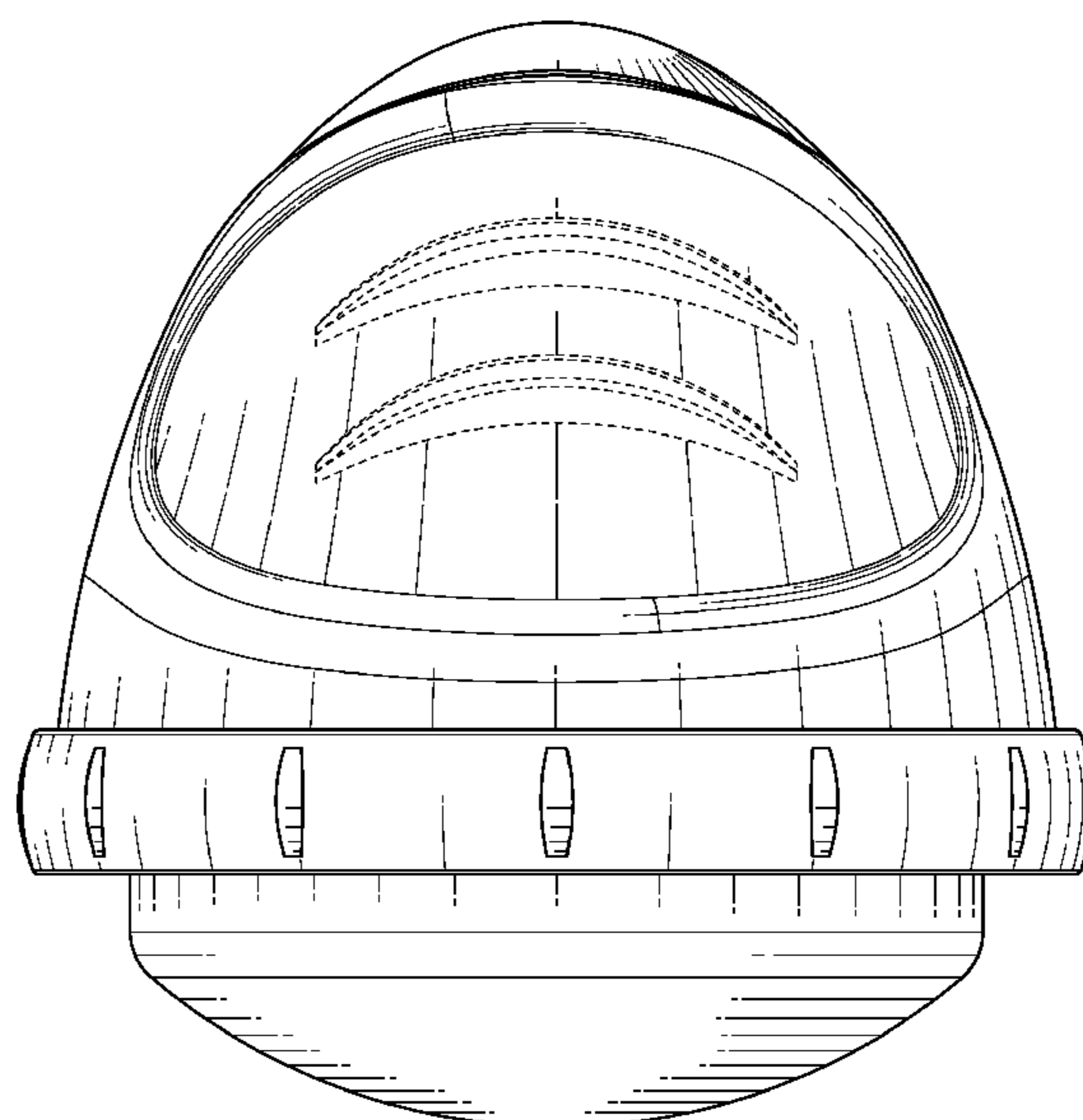
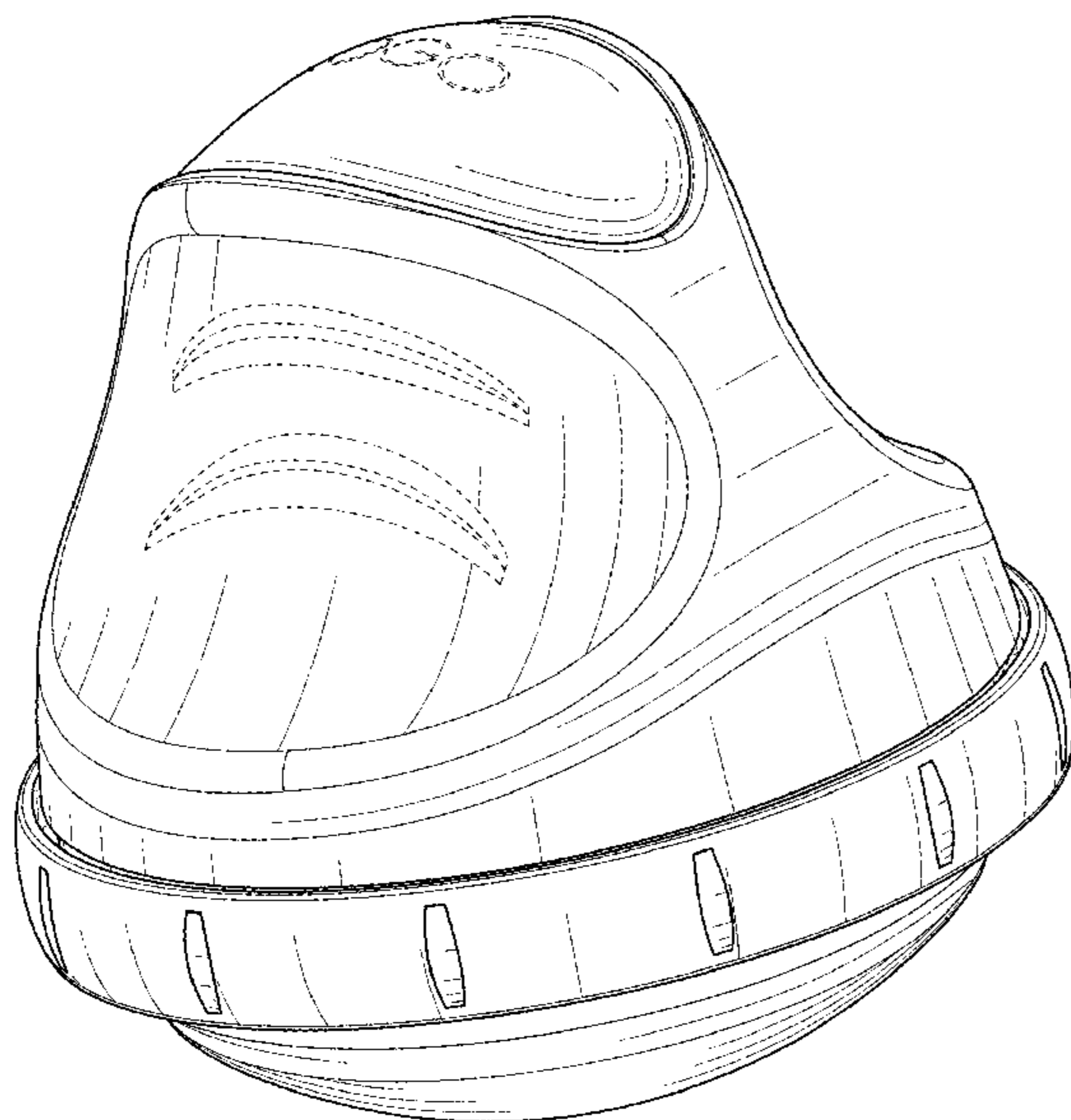
The ornamental design for an oil remover, substantially as shown and described.

DESCRIPTION

FIG. 1 is a front, right side perspective view of an oil remover showing my new design; FIG. 2 is a front elevational view thereof; FIG. 3 is a top plan view thereof; FIG. 4 is a bottom plan view thereof; and, FIG. 5 is a side cross-sectional view thereof taken along line 5-5 of FIG. 4.

The broken lines in FIGS. 1-5 of the oil remover are for the purpose of illustrating environment, and form no part of the claimed design.

1 Claim, 5 Drawing Sheets



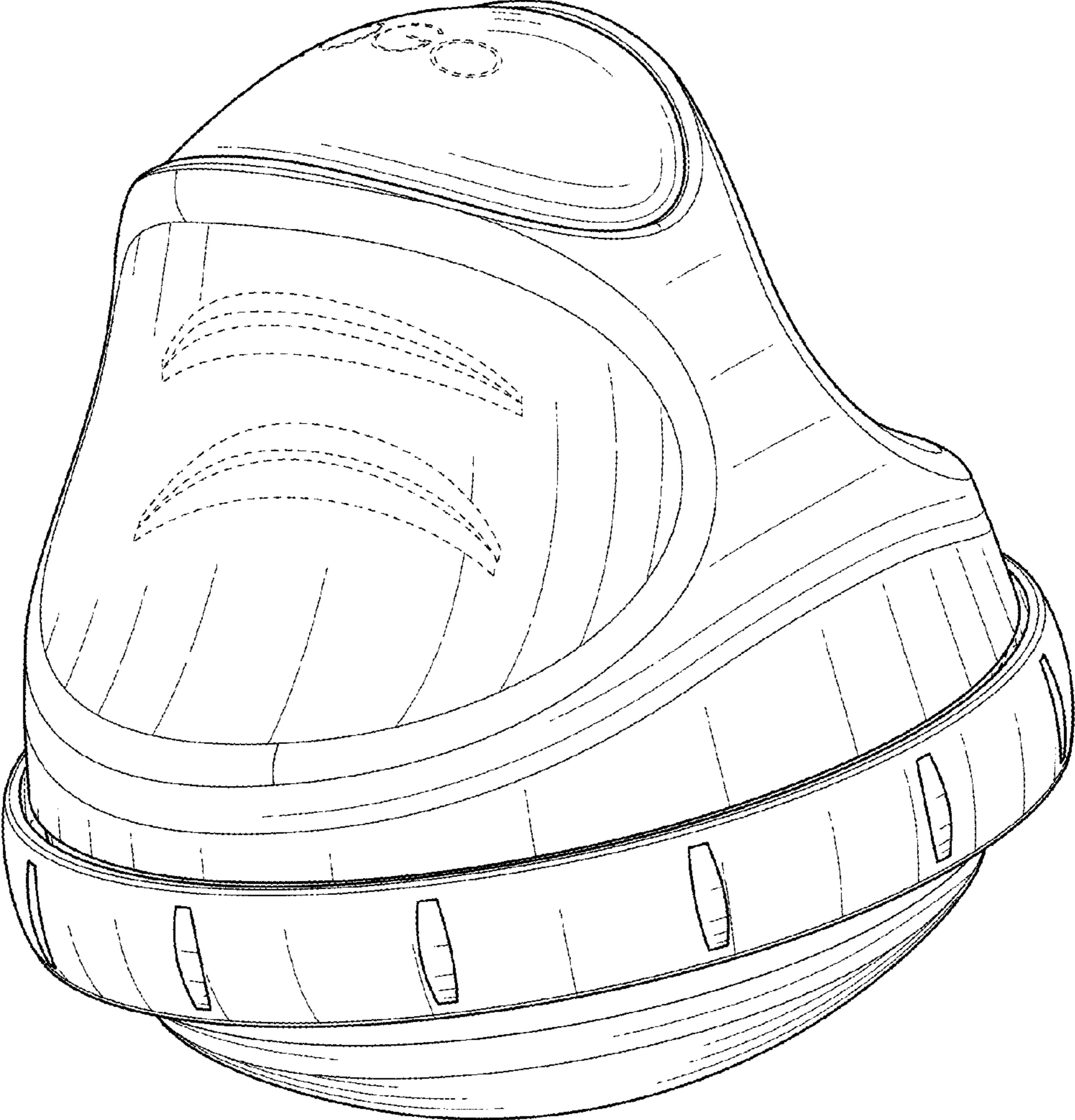


FIG. 1

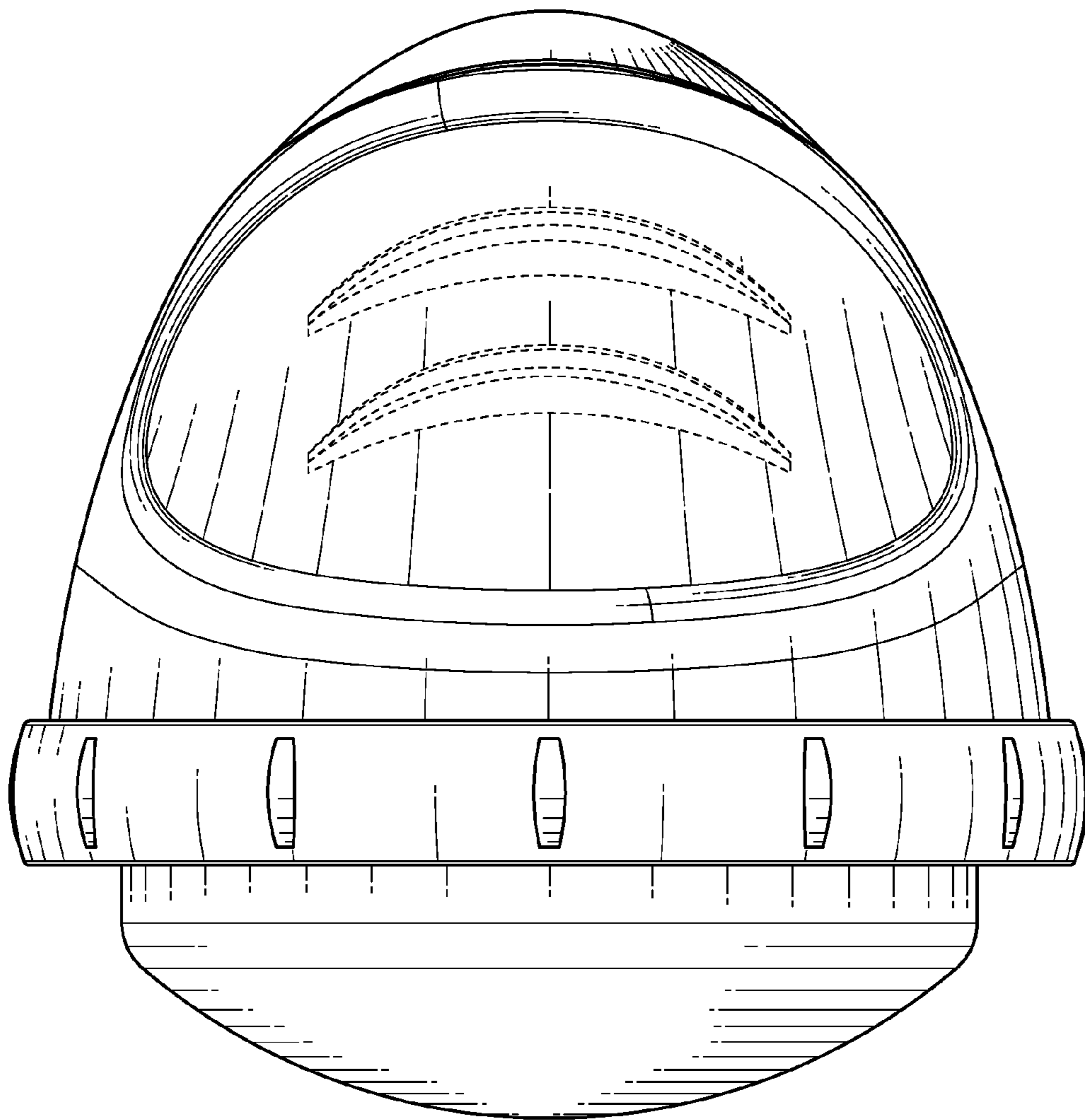


FIG. 2

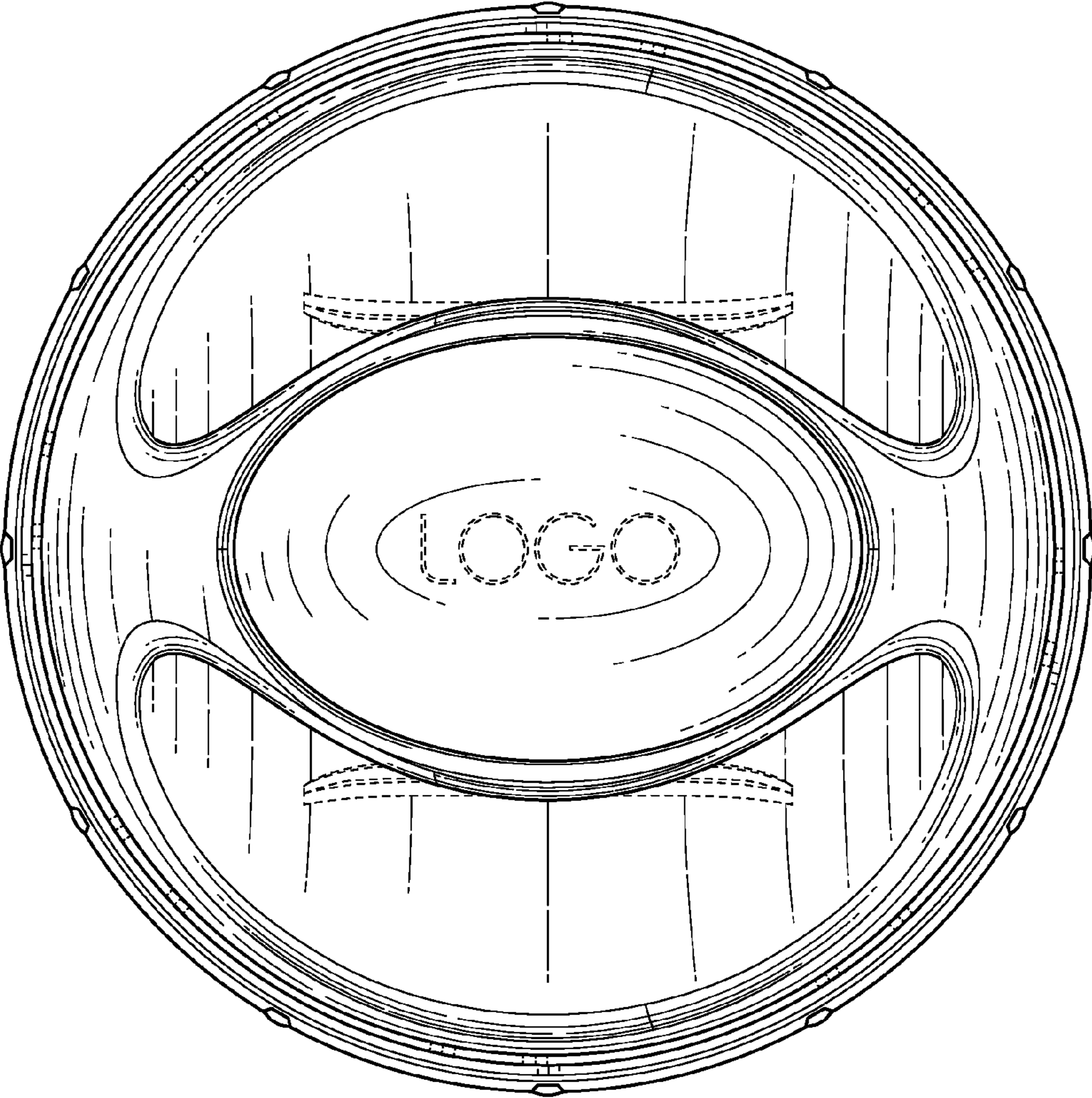


FIG. 3

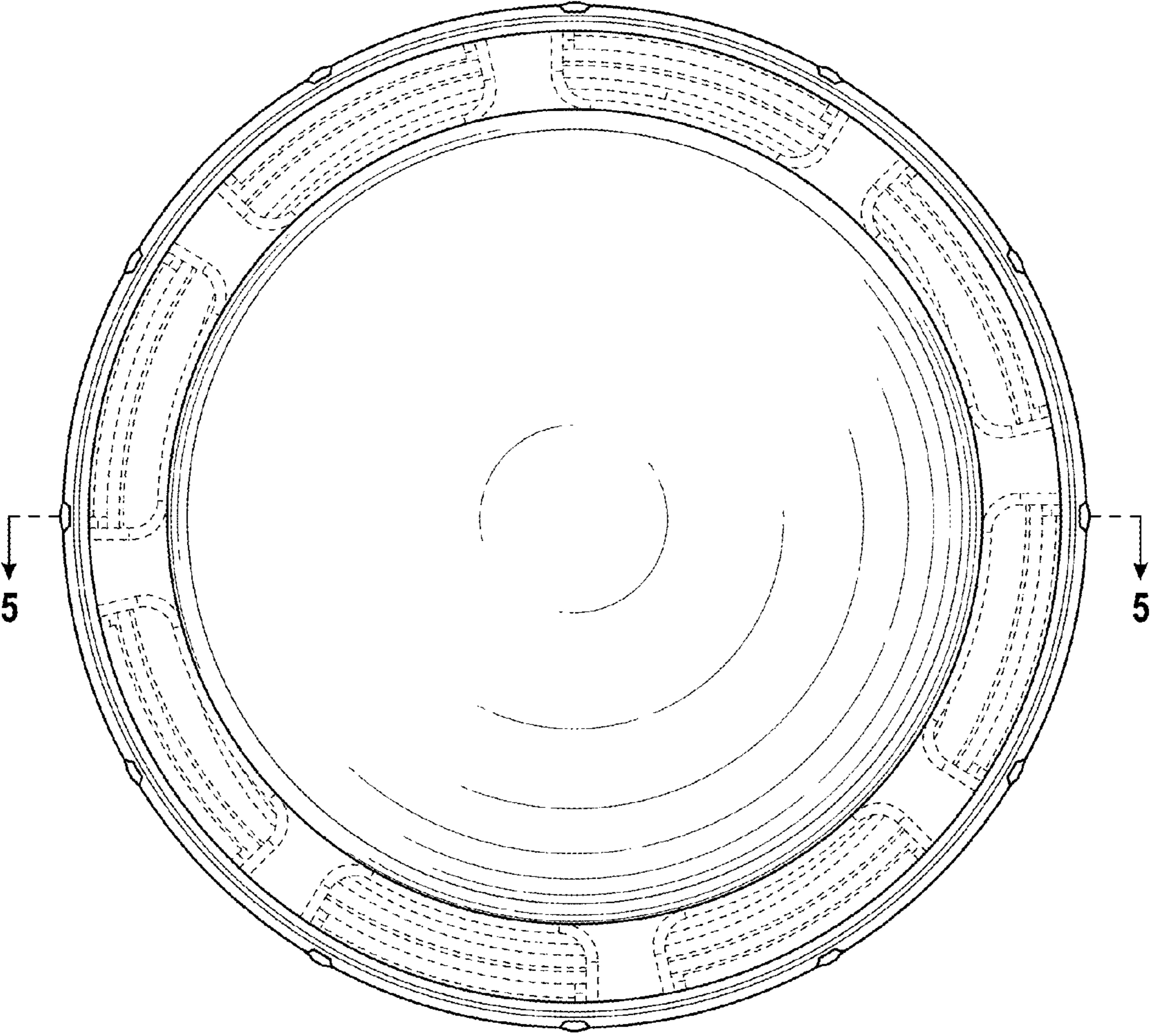


FIG. 4

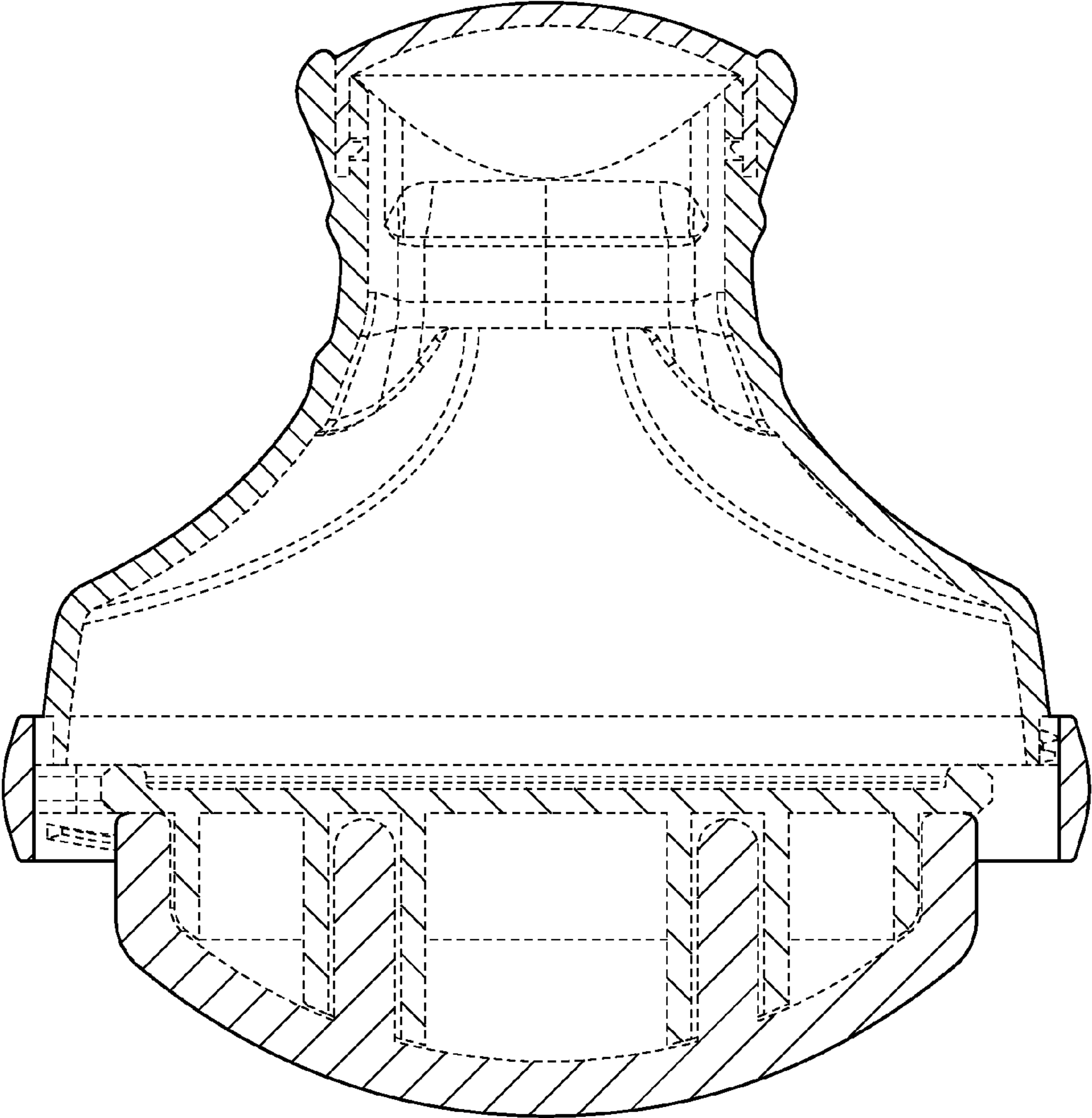


FIG. 5