



US00D715104S

(12) **United States Design Patent**
Chen

(10) **Patent No.:** **US D715,104 S**

(45) **Date of Patent:** **** Oct. 14, 2014**

(54) **HOLDER FOR CUP-SHAPED CAPSULE**

2011/0132853 A1* 6/2011 Drobot et al. 211/42
2013/0334155 A1* 12/2013 Kasza et al. 211/75

(71) Applicant: **Fang Yin Chen**, Taichung (TW)

* cited by examiner

(72) Inventor: **Fang Yin Chen**, Taichung (TW)

Primary Examiner — Terry Wallace

(**) Term: **14 Years**

(74) *Attorney, Agent, or Firm* — Raymond Y. Chan; David and Raymond Patent Firm

(21) Appl. No.: **29/473,574**

(57) **CLAIM**

The ornamental design for a holder for cup-shaped capsule, as shown and described.

(22) Filed: **Nov. 23, 2013**

(51) **LOC (10) Cl.** **07-06**

DESCRIPTION

(52) **U.S. Cl.**

USPC **D7/600.1; D7/704**

(58) **Field of Classification Search**

CPC **A47B 73/00**

USPC **D7/600.1-600.4, 701-708; 211/42,**

211/183, 70.6, 70.7, 74, 85.18, 60.1, 13.1,

211/85.31, 181.1; D6/512, 513, 514, 552,

D6/566

See application file for complete search history.

FIG. 1 is a perspective view of holder for cup-shaped capsule showing my new design.

FIG. 2 is a front elevational view thereof.

FIG. 3 is a rear elevational view thereof.

FIG. 4 is a top plan view thereof.

FIG. 5 is a bottom plan view thereof.

FIG. 6 is a right side elevational view thereof.

FIG. 7 is a left side elevational view thereof.

FIG. 8 is a perspective view showing the use and arrangement of the design; and,

FIG. 9 is a alternative perspective view showing the use and arrangement of the design.

The broken line in the drawing is included for the purpose of illustrating environmental detail and forms no part of the claimed design.

(56) **References Cited**

U.S. PATENT DOCUMENTS

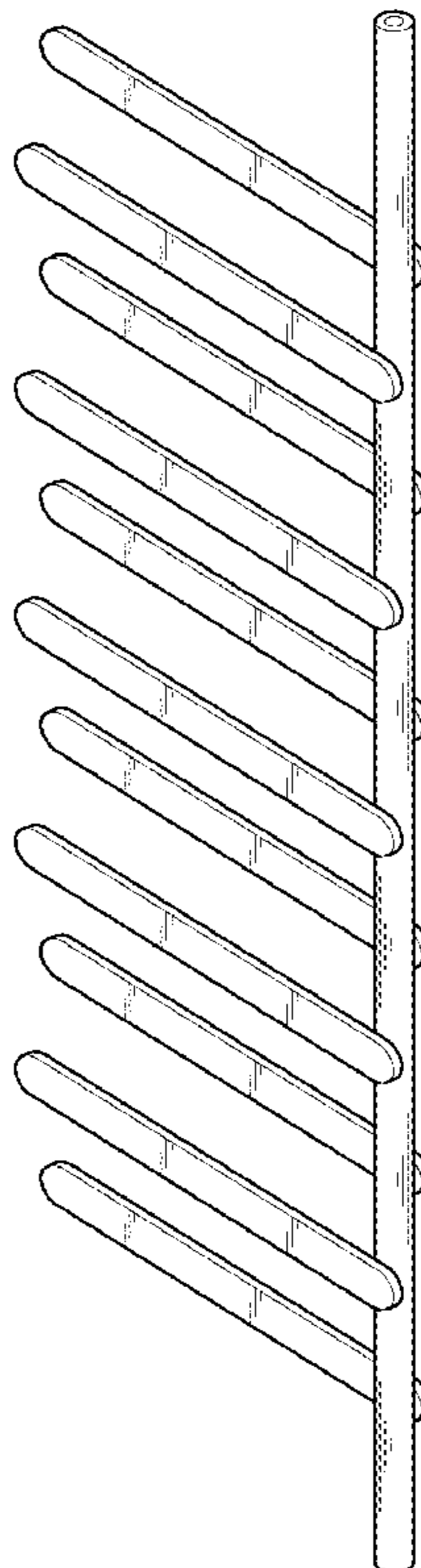
6,443,316 B1* 9/2002 Mao 211/74

6,523,704 B2* 2/2003 Sanders 211/70.6

6,763,956 B2* 7/2004 Woods 211/74

2009/0152221 A1* 6/2009 Hynes 211/74

1 Claim, 9 Drawing Sheets



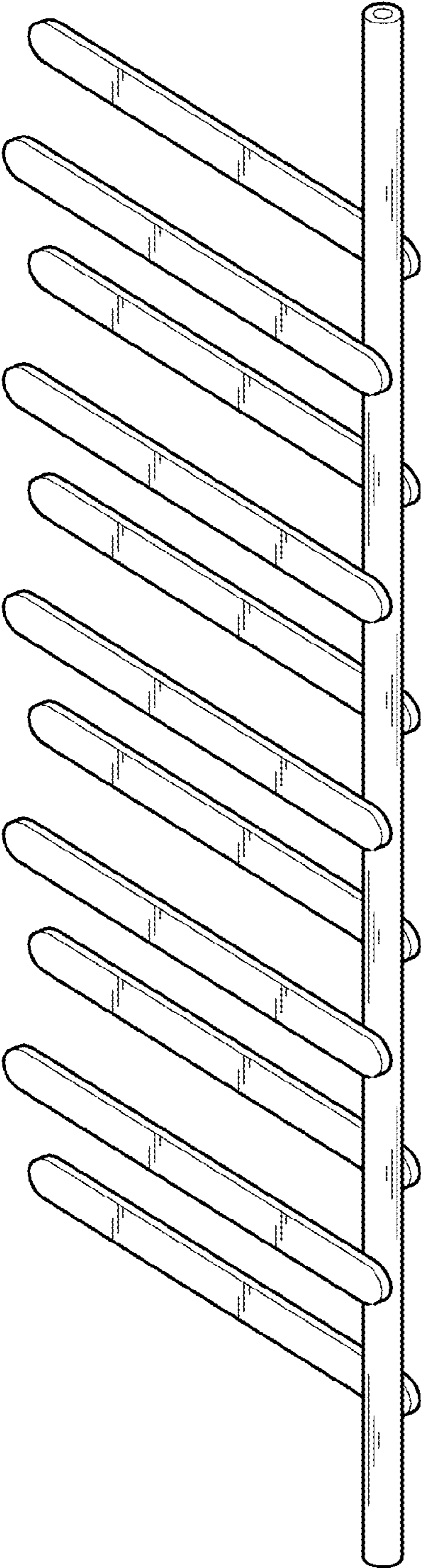


FIG.1

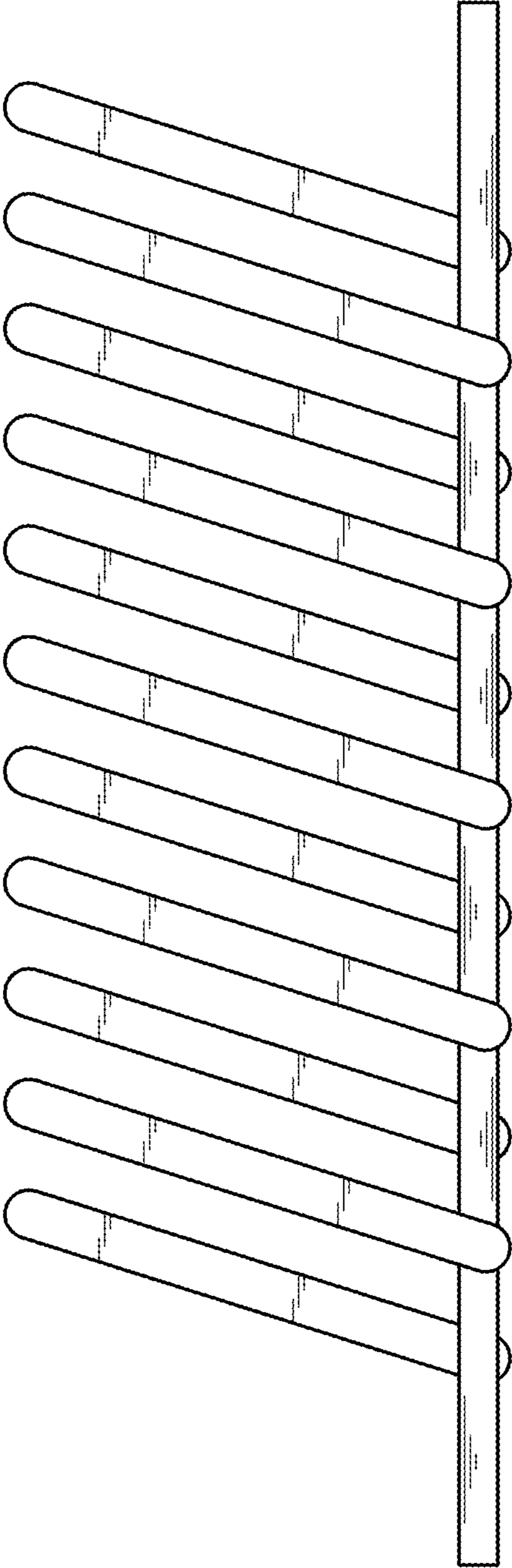


FIG.2

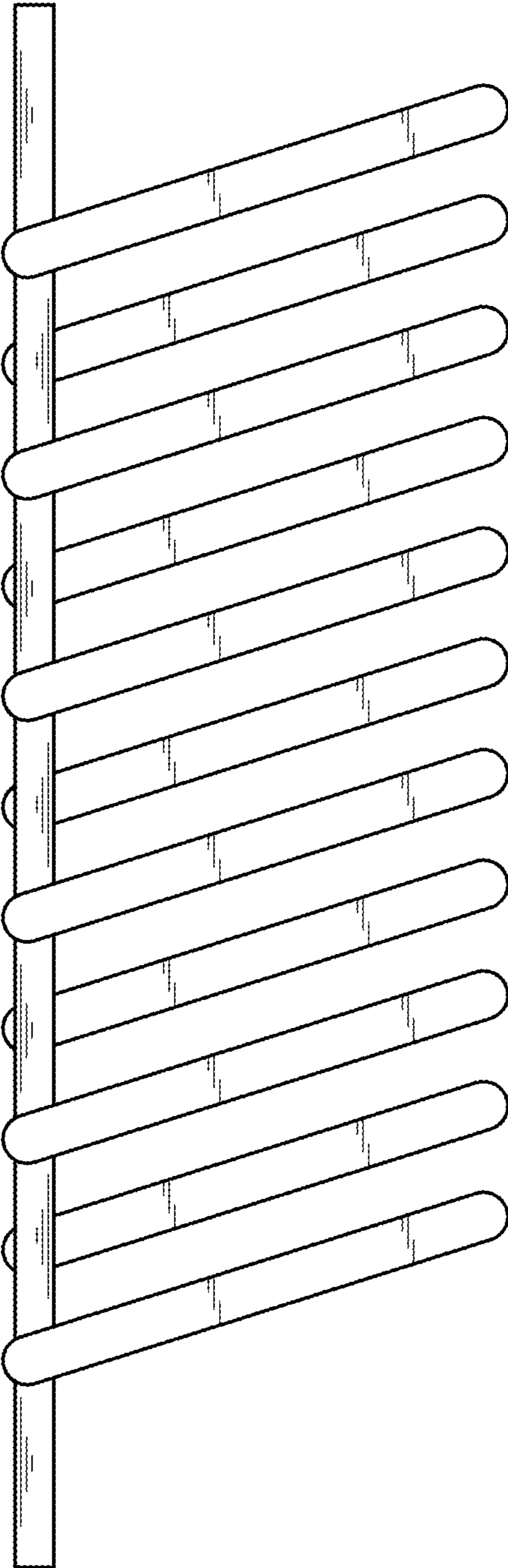


FIG.3



FIG.4



FIG.5

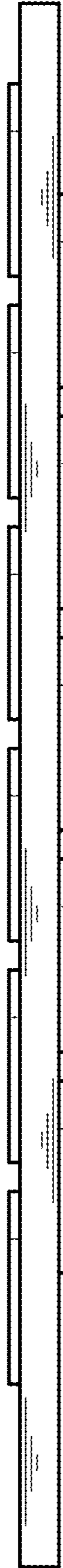


FIG.6

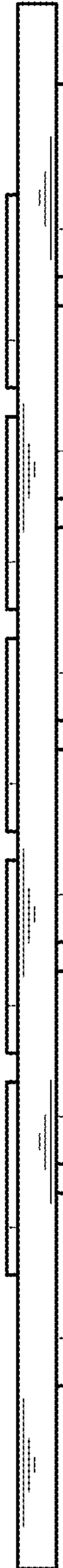


FIG.7

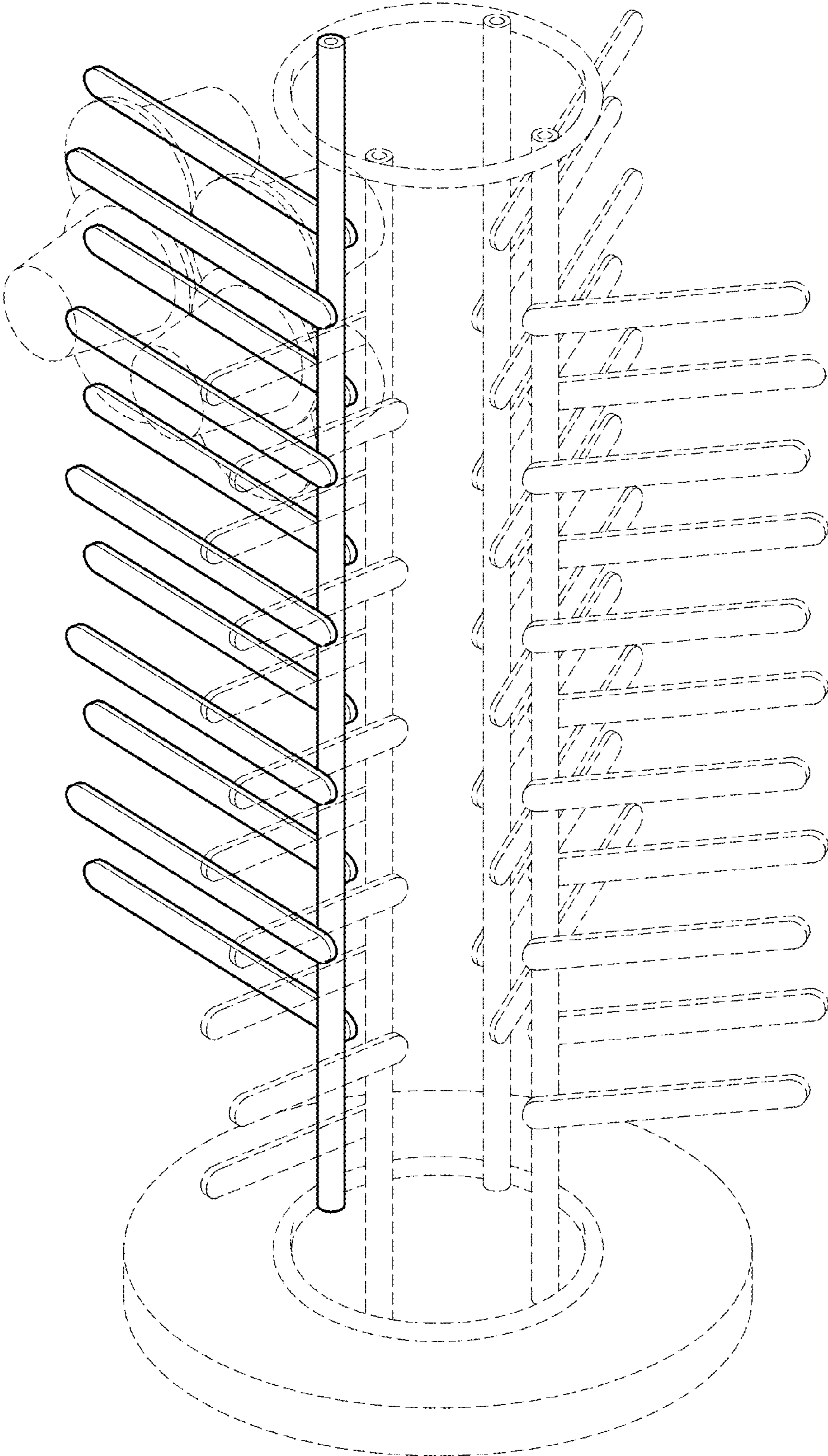


FIG.8

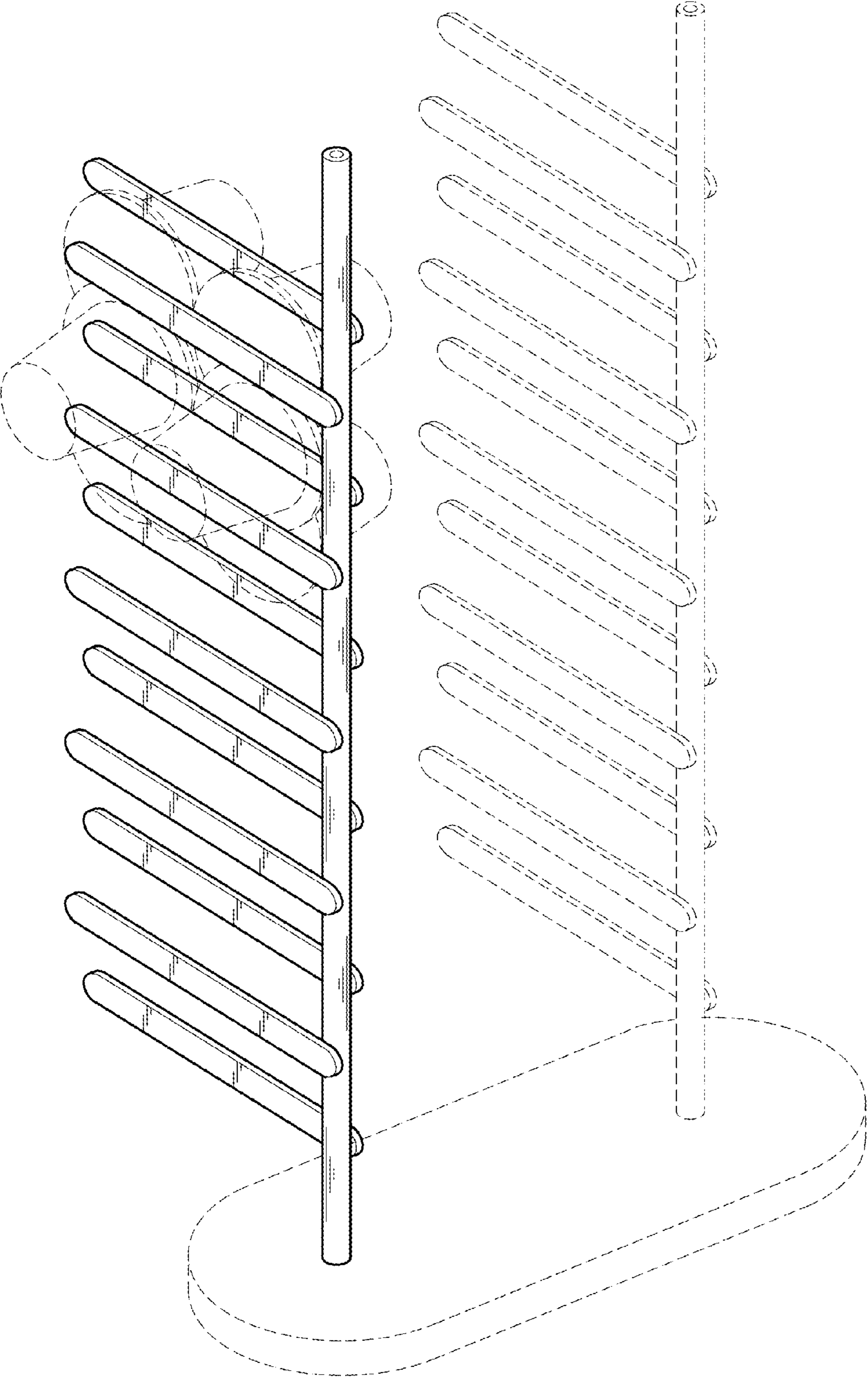


FIG.9