



US00D715100S

(12) **United States Design Patent**
Eyal

(10) **Patent No.:** **US D715,100 S**
(45) **Date of Patent:** **** Oct. 14, 2014**

- (54) **BEVERAGE CONTAINER**
- (71) Applicant: **ETS Express, Inc.**, Oxnard, CA (US)
- (72) Inventor: **Sharon Eyal**, Oxnard, CA (US)
- (73) Assignee: **ETS Express, Inc.**, Oxnard, CA (US)
- (**) Term: **14 Years**
- (21) Appl. No.: **29/469,939**
- (22) Filed: **Oct. 16, 2013**
- (51) **LOC (10) Cl.** **07-01**
- (52) **U.S. Cl.**
USPC **D7/510**
- (58) **Field of Classification Search**
CPC A47G 19/22-19/2211; A47G
19/2266-19/2272
USPC D7/509-511, 392.1, 392.2, 523, 532,
D7/396.1-396.3, 900; 220/703, 705, 710,
220/711, 713, 715, 592.16, 592.17;
D9/447, 453
See application file for complete search history.

D535,152 S *	1/2007	Gluck	D7/523
D571,152 S *	6/2008	Tien	D7/510
D587,069 S *	2/2009	Bodum	D7/510
D604,103 S *	11/2009	Alviar et al.	D7/533
D634,159 S *	3/2011	Bodum	D7/509
D642,862 S *	8/2011	Tobias	D7/510
D647,760 S *	11/2011	Pearson	D7/510

OTHER PUBLICATIONS

Ello Ogden Ceramic Tumbler, Target.com.*
Starbucks Stainless Steel & Ceramic Tumbler, Starbucks.com.*

* cited by examiner

Primary Examiner — Susan Bennett Hattan
Assistant Examiner — Brett Miller
(74) *Attorney, Agent, or Firm* — Kleinberg & Lerner, LLP;
Marvin H. Kleinberg; Marshall A. Lerner

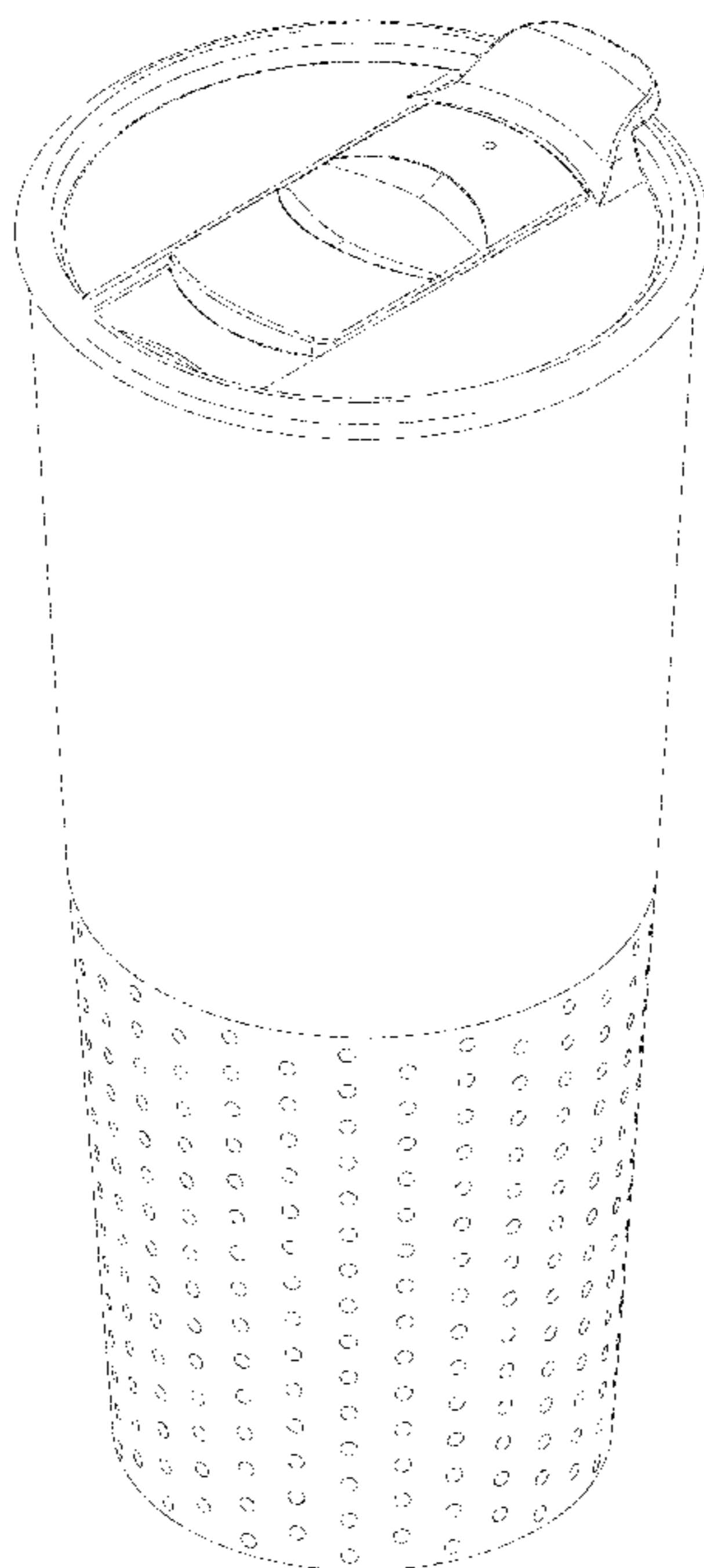
(57) **CLAIM**
The ornamental design for a beverage container, as shown and described.

DESCRIPTION

FIG. 1 is a perspective view of a beverage container showing my new design;
FIG. 2 is a front view thereof, the rear view being a mirror image;
FIG. 3 is a right side view of the beverage container of FIG. 1, the left side being a mirror image;
FIG. 4 is a top plan view thereof; and,
FIG. 5 is a bottom plan view thereof.
The broken lines depict portions of the beverage container that form no part of the claimed design.

1 Claim, 3 Drawing Sheets

- (56) **References Cited**
U.S. PATENT DOCUMENTS
- | | | | | |
|---------------|---------|------------|-------|---------|
| 5,456,380 A * | 10/1995 | Ito et al. | | 220/713 |
| 6,152,363 A * | 11/2000 | Rule, Jr. | | 229/403 |
| D488,672 S * | 4/2004 | Oas | | D7/507 |
| D492,547 S * | 7/2004 | Hsu | | D7/523 |
| D530,153 S * | 10/2006 | Karp | | D7/510 |
| D533,402 S * | 12/2006 | Bin | | D7/510 |



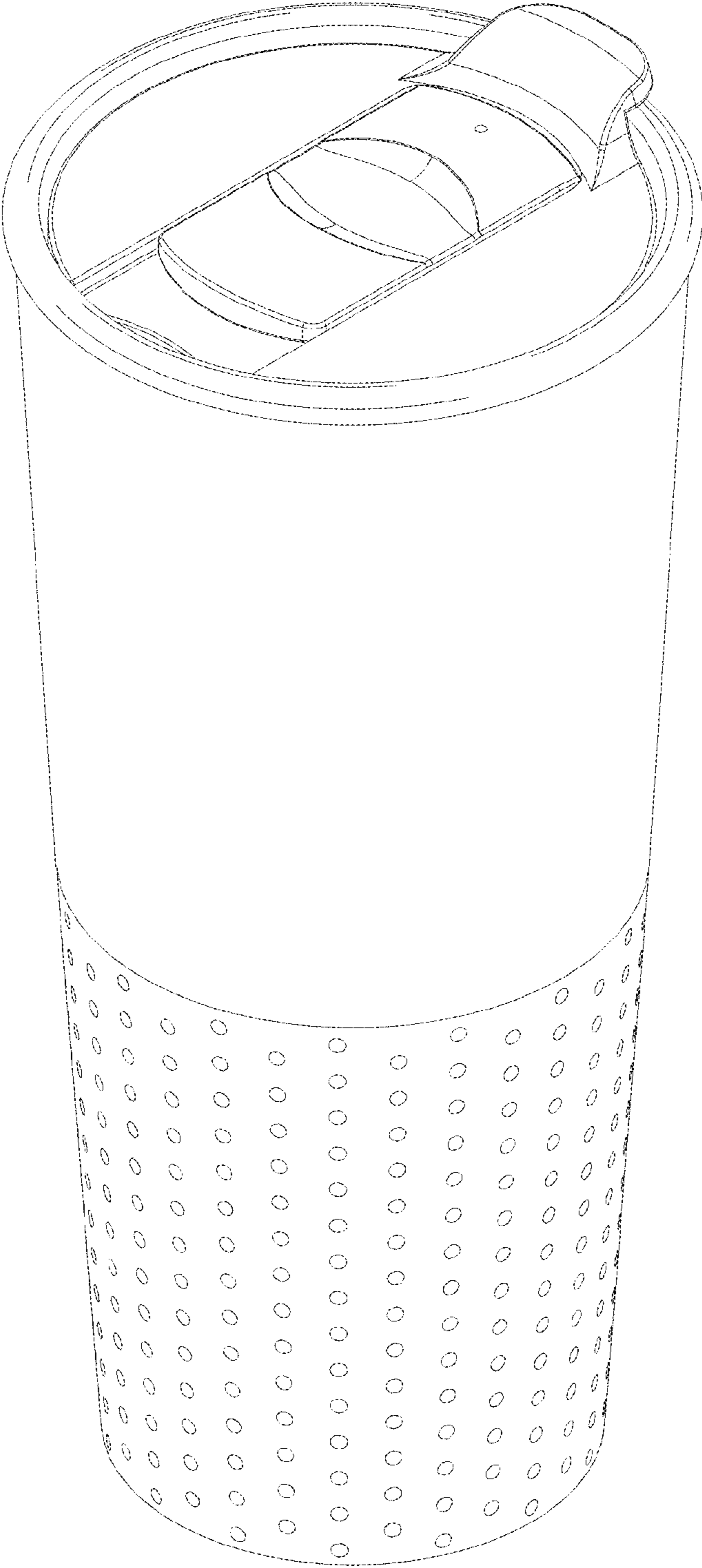


FIG 1

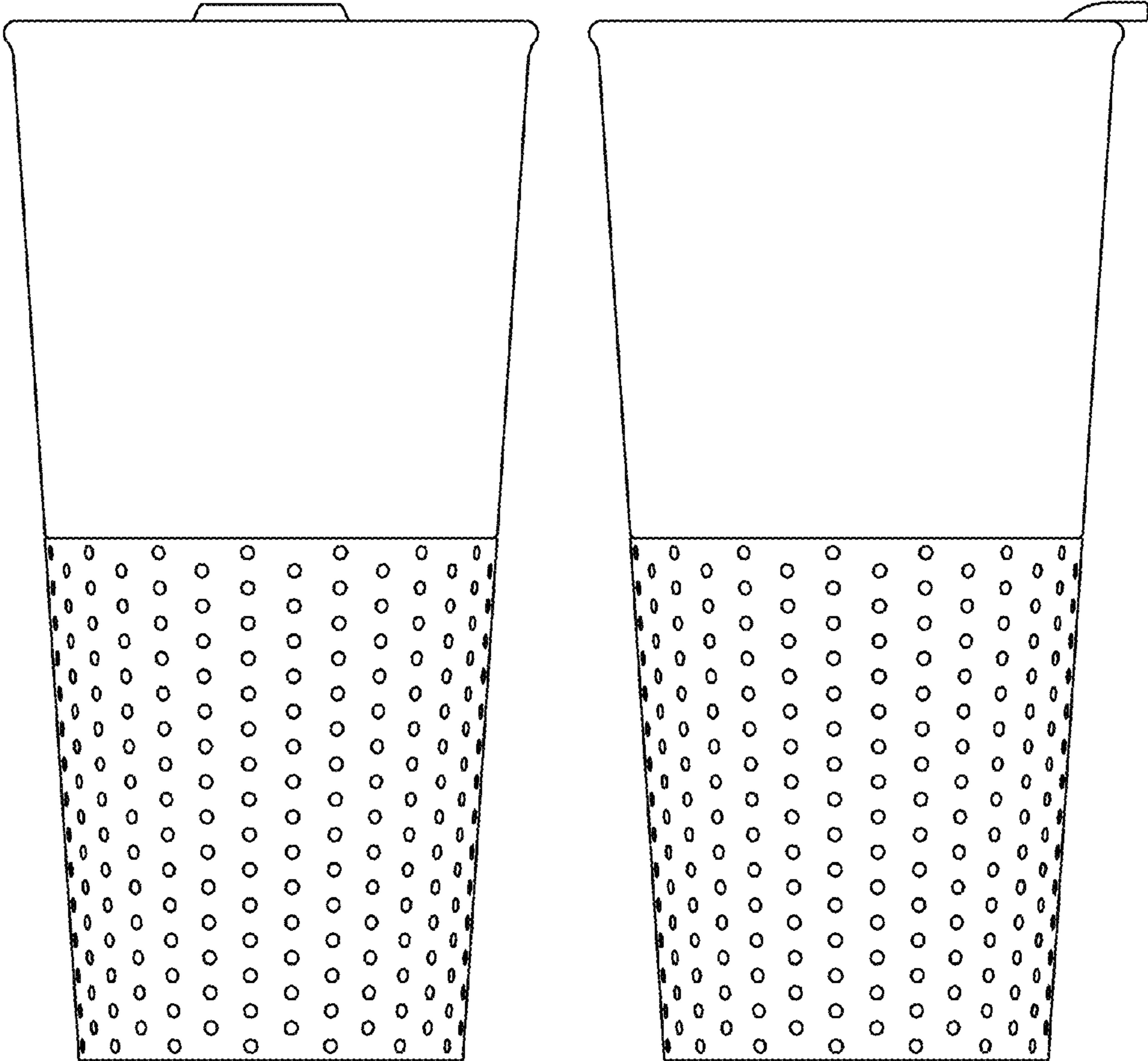


FIG 2

FIG 3

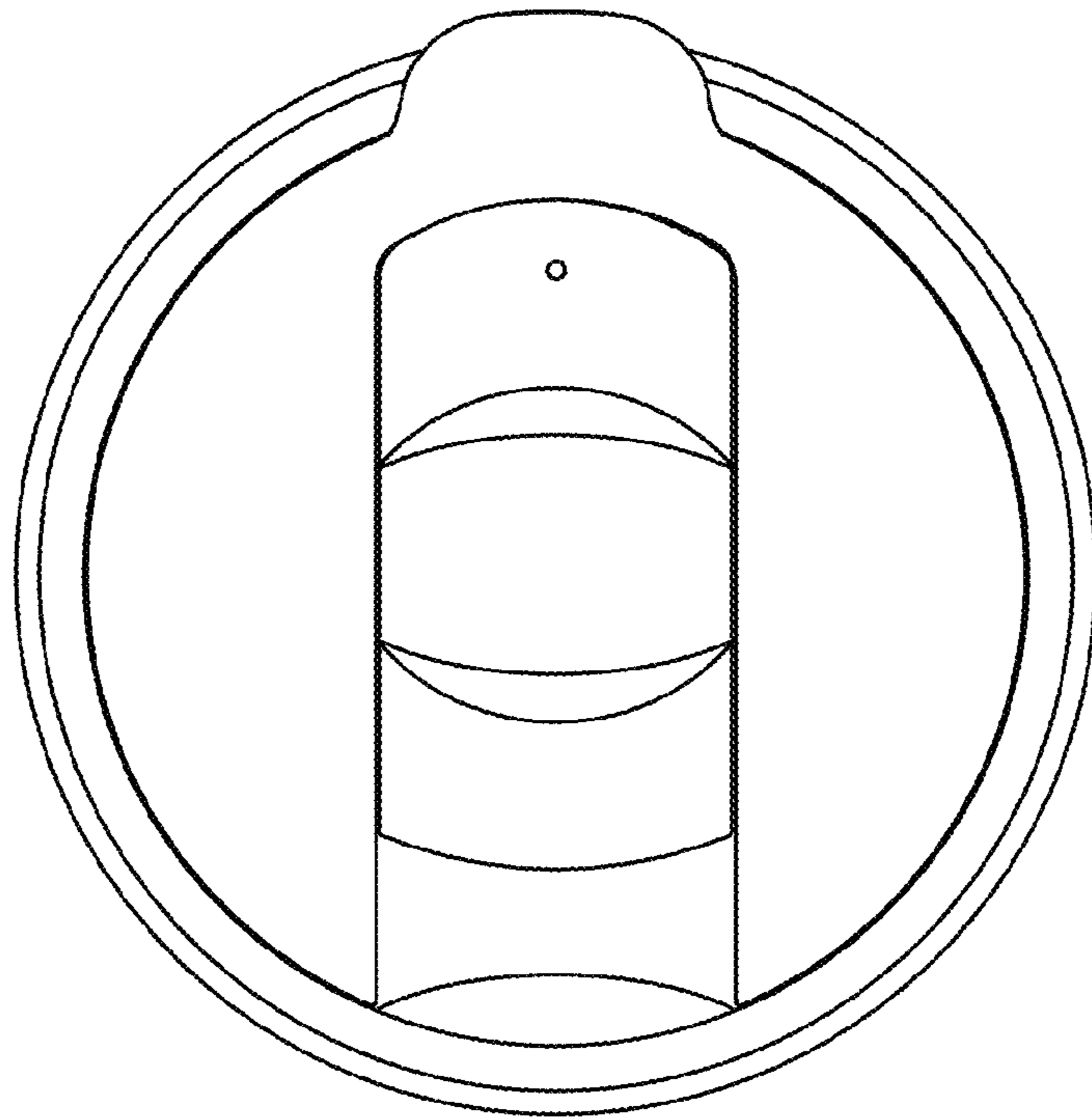


FIG 4

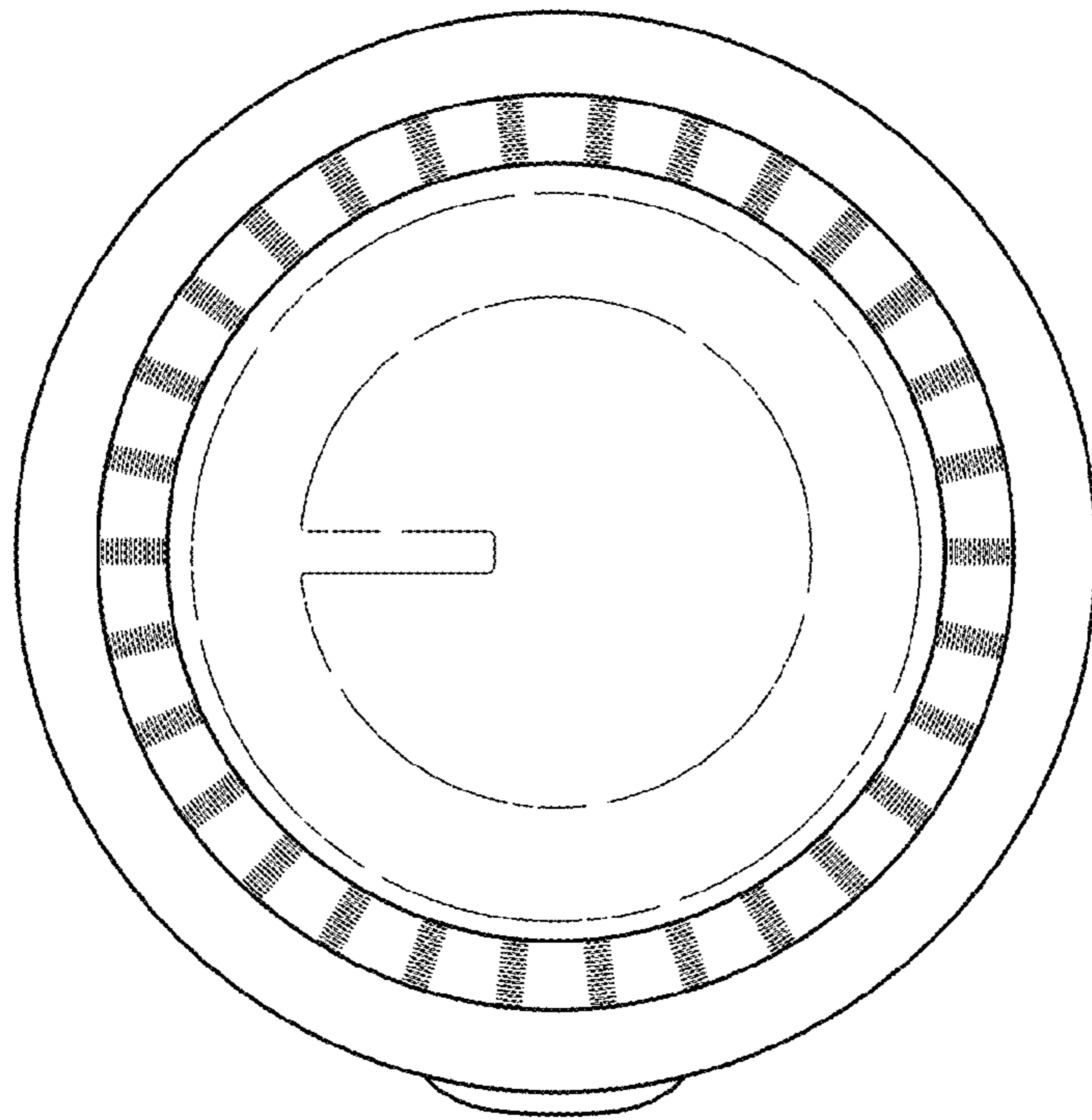


FIG 5