



US00D715099S

(12) **United States Design Patent**
Lv

(10) **Patent No.:** US **D715,099 S**
(45) **Date of Patent:** ** **Oct. 14, 2014**

(54) **TRAINER BOTTLE**
(71) Applicant: **Ningbo Anantara Baby Appliance Co., Ltd., Ningbo (CN)**
(72) Inventor: **Wenda Lv, Ningbo (CN)**
(73) Assignee: **Ningbo Anantara Baby Appliance Co., Ltd., Ningbo (CN)**
(**) Term: **14 Years**
(21) Appl. No.: **29/444,785**
(22) Filed: **Feb. 4, 2013**

D398,813 S *	9/1998	Franzese	D7/396.2
5,871,118 A *	2/1999	Franzese	220/717
6,073,788 A *	6/2000	Stroud	215/11.1
D442,435 S *	5/2001	Takagi	D7/510
D559,624 S *	1/2008	Carreno	D7/534
D579,722 S *	11/2008	Sakulsacha et al.	D7/510
D683,185 S *	5/2013	Thomas	D7/510
D683,589 S *	6/2013	Itzek et al.	D7/510
D684,426 S *	6/2013	Bottomley et al.	D7/516
D692,724 S *	11/2013	Smiedt et al.	D7/510
D693,177 S *	11/2013	Tollman	D7/534
2007/0163984 A1 *	7/2007	Nguyen et al.	215/11.3

* cited by examiner

Primary Examiner — Susan Bennett Hattan
Assistant Examiner — Brett Miller

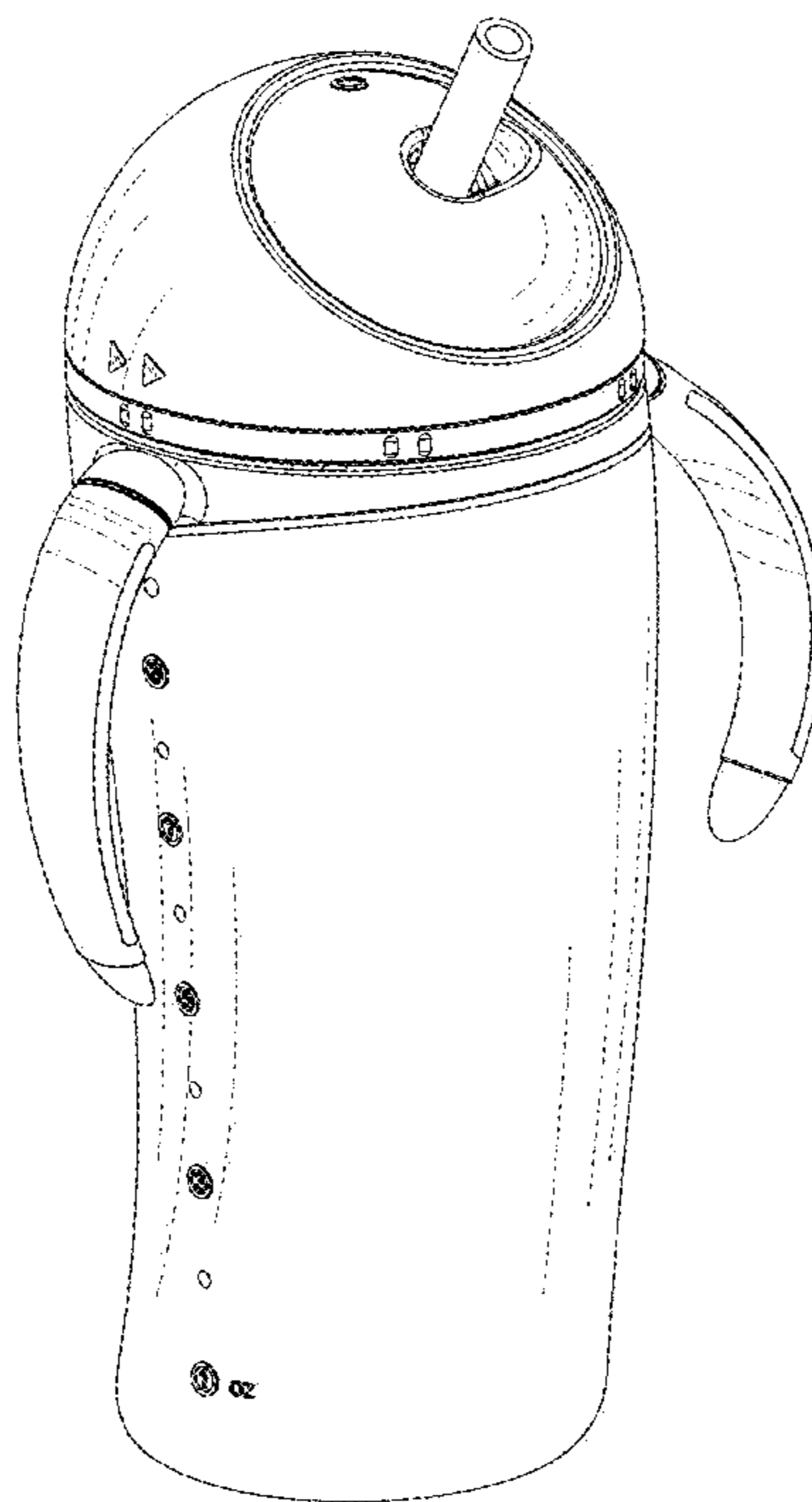
(30) **Foreign Application Priority Data**
Oct. 19, 2012 (CN) 2012 3 0499391
(51) **LOC (10) Cl.** **07-01**
(52) **U.S. Cl.**
USPC **D7/510**
(58) **Field of Classification Search**
CPC ... A47G 19/2266–19/2272; A61J 9/00–9/008;
A61J 9/08–9/085
USPC D7/509–513, 533–536, 392.1, 392.2,
D7/397, 398, 538, 393, 514–518; 220/717,
220/718, 713, 203.18, 303; D24/194–197;
D9/447, 529, 503, 504, 723
See application file for complete search history.

(57) **CLAIM**
The ornamental design for a trainer bottle, as shown.

(56) **References Cited**
U.S. PATENT DOCUMENTS
D359,417 S * 6/1995 Chen D7/510

DESCRIPTION
FIG. 1 is a front plan view of a trainer bottle showing my new design;
FIG. 2 is a back plan view thereof;
FIG. 3 is a top plan view thereof;
FIG. 4 is a bottom plan view thereof;
FIG. 5 is a left plan view thereof;
FIG. 6 is a right plan view thereof; and,
FIG. 7 is a perspective view thereof.

1 Claim, 7 Drawing Sheets



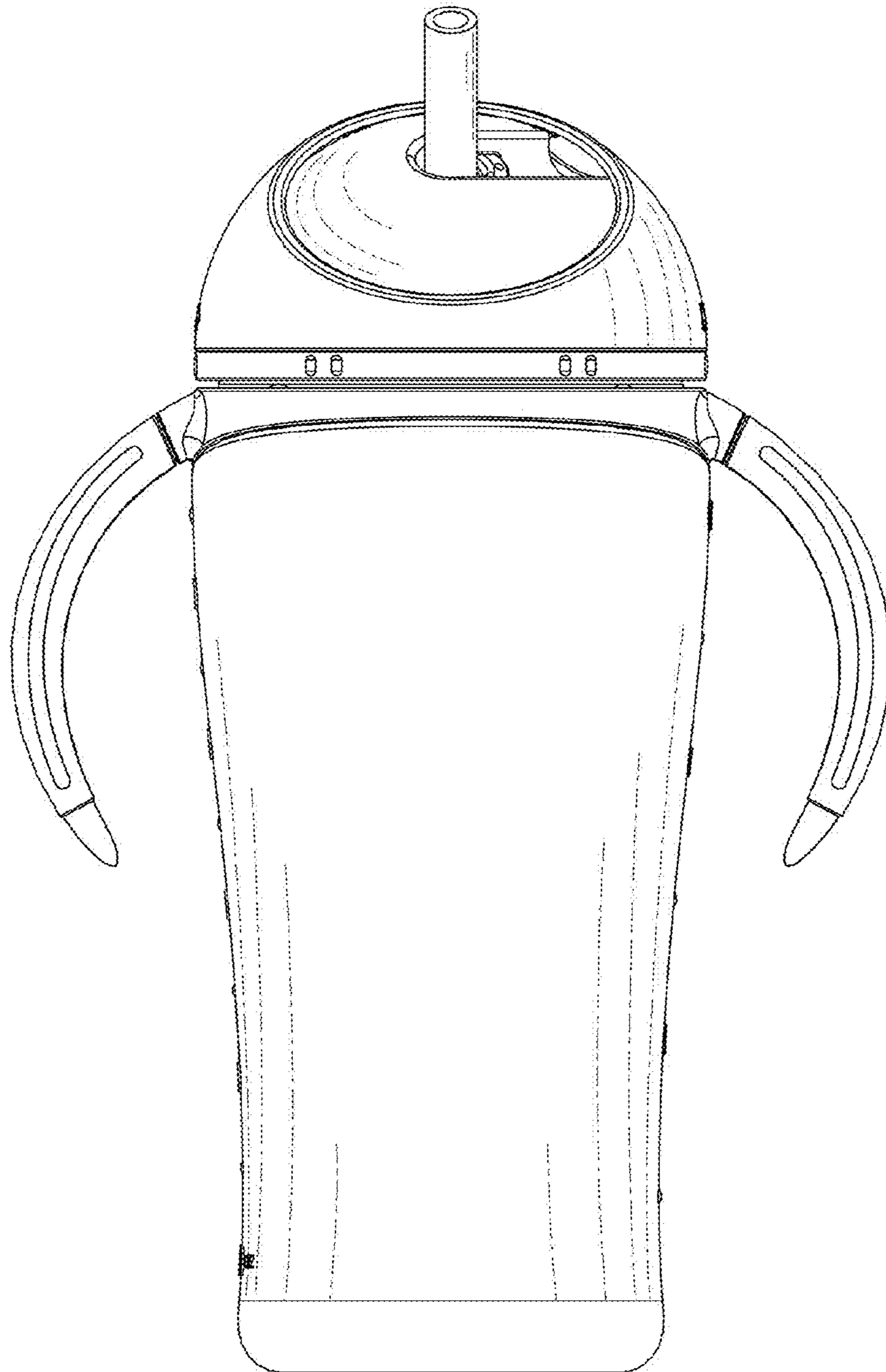


FIG. 1

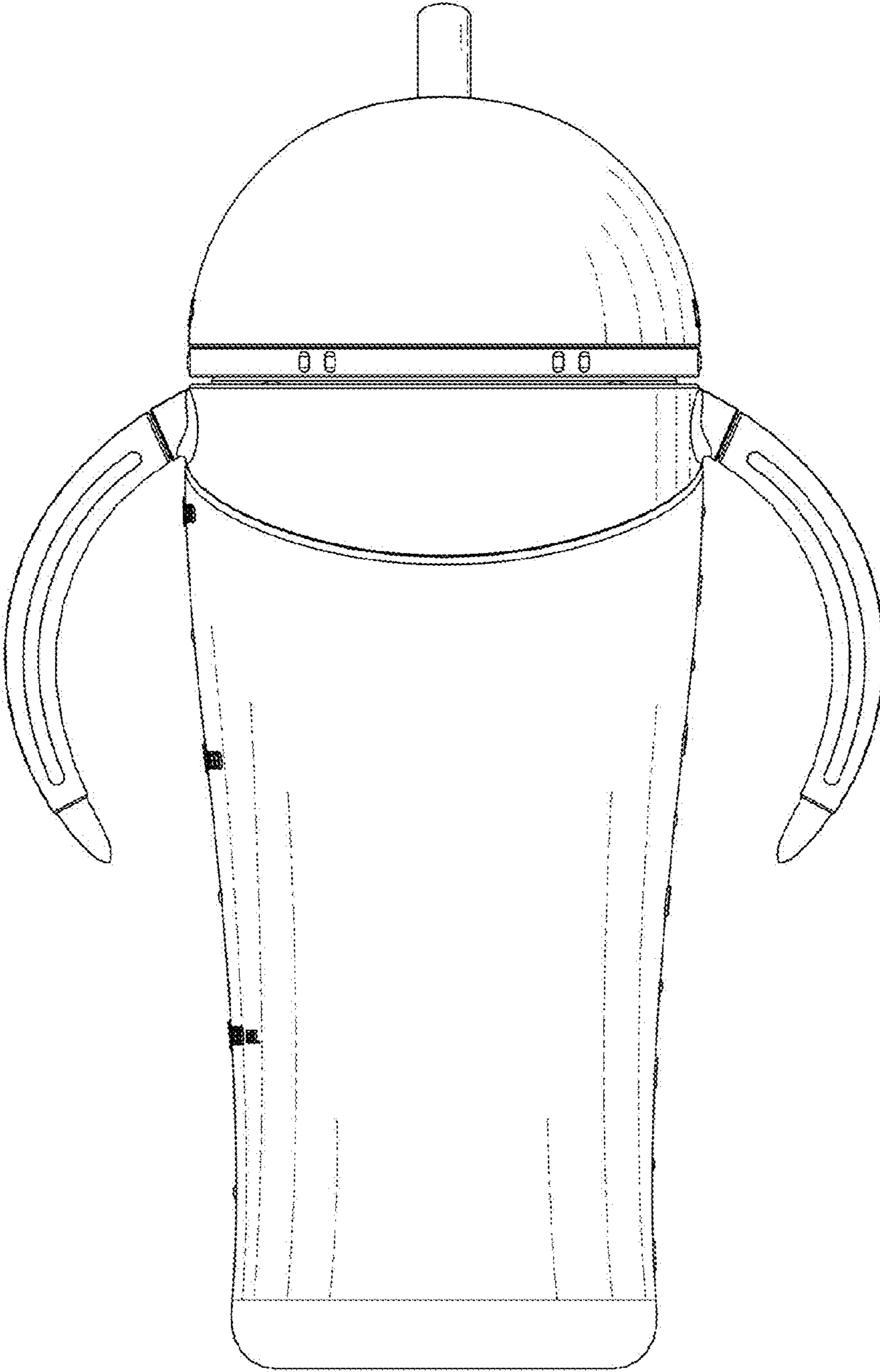


FIG. 2

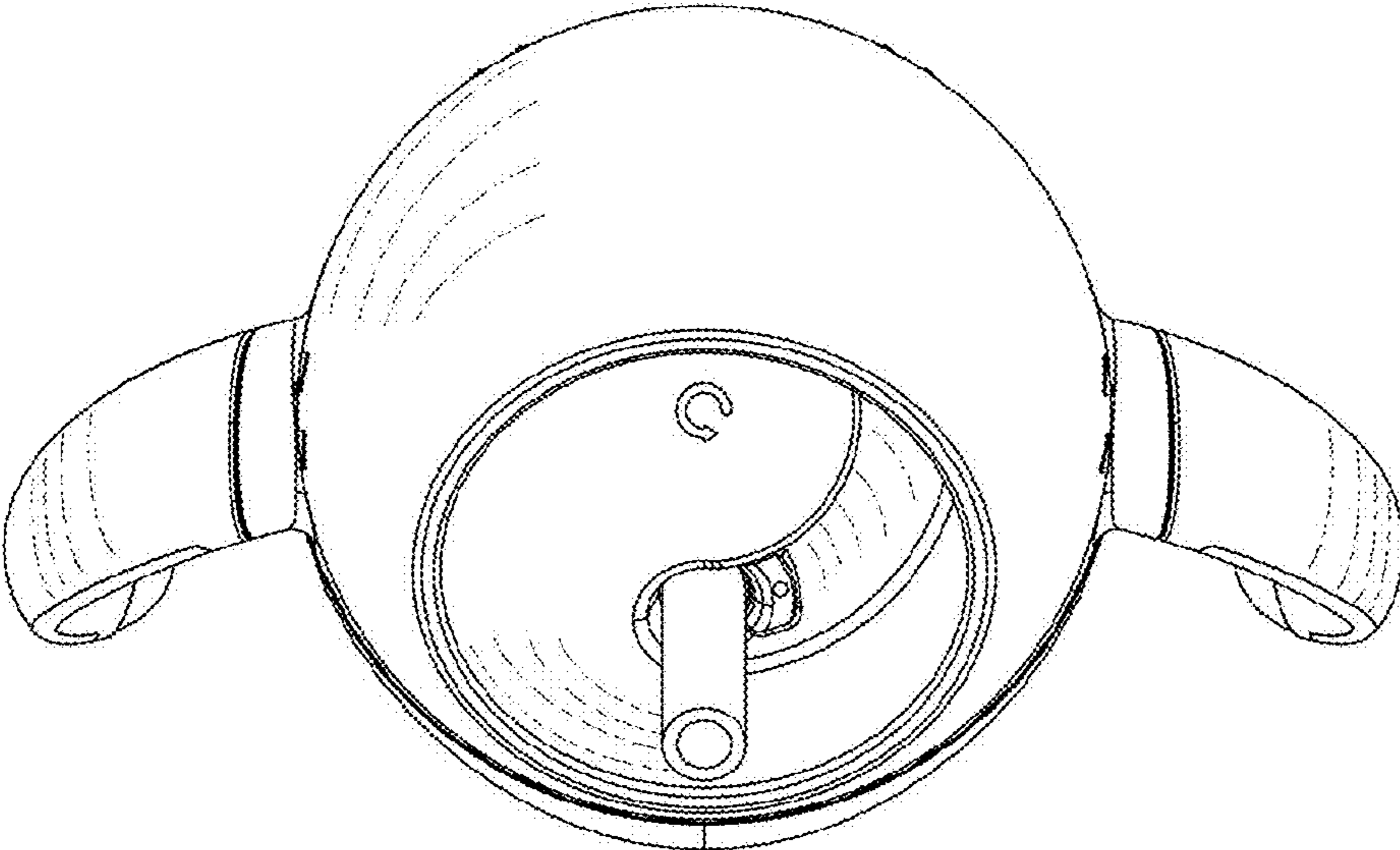


FIG. 3

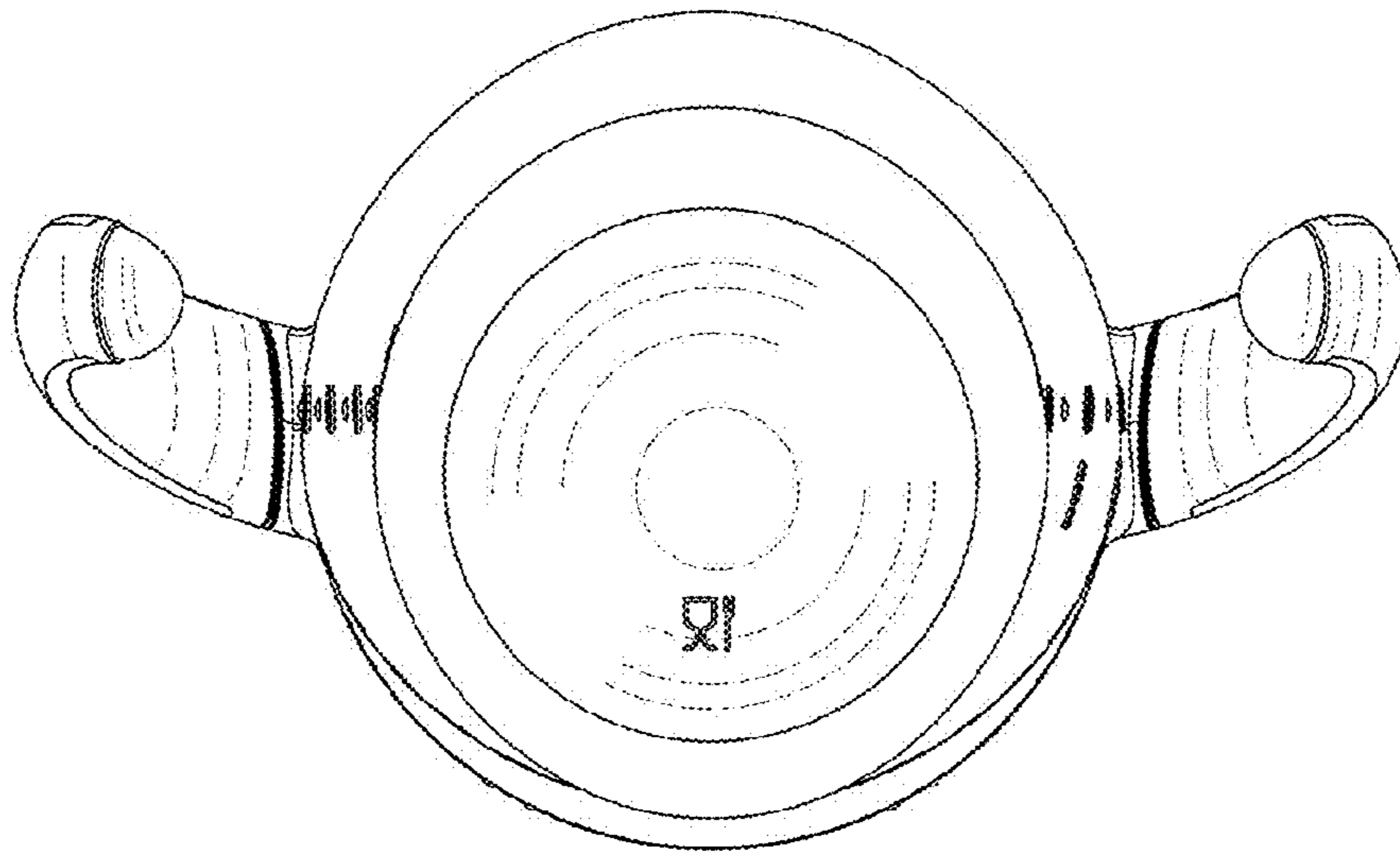


FIG. 4

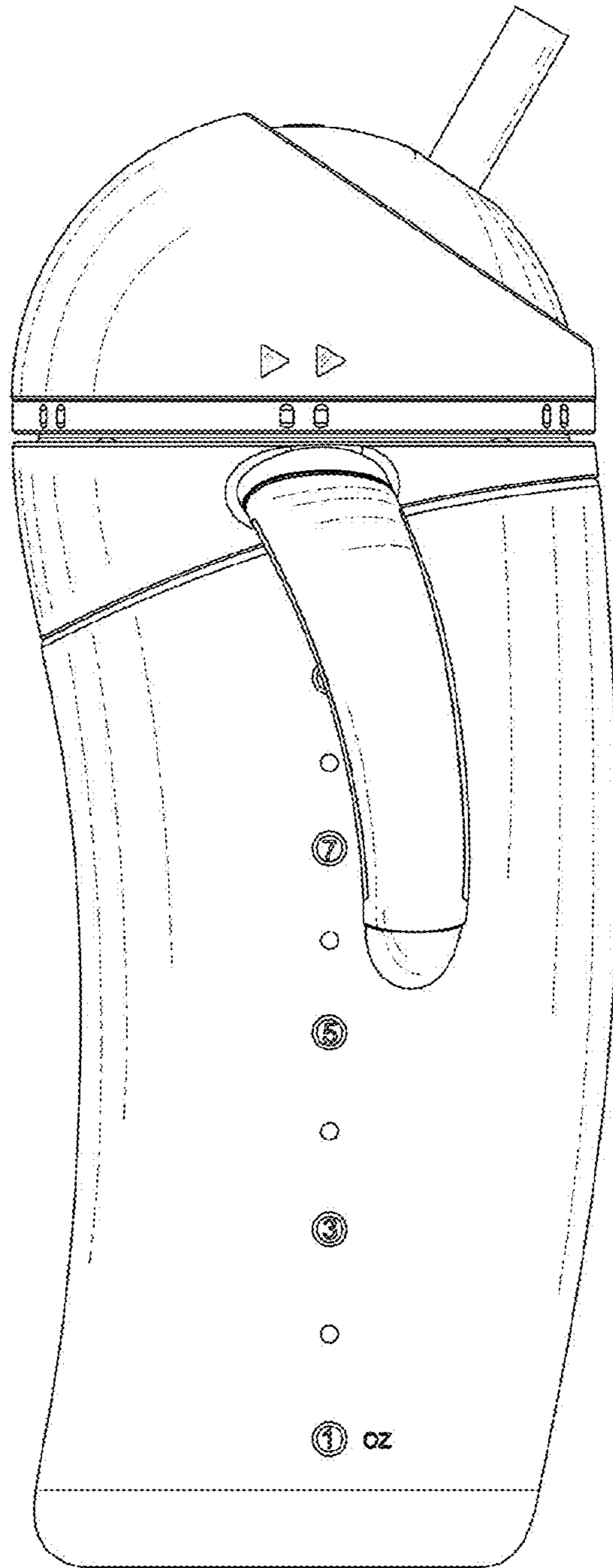


FIG. 5

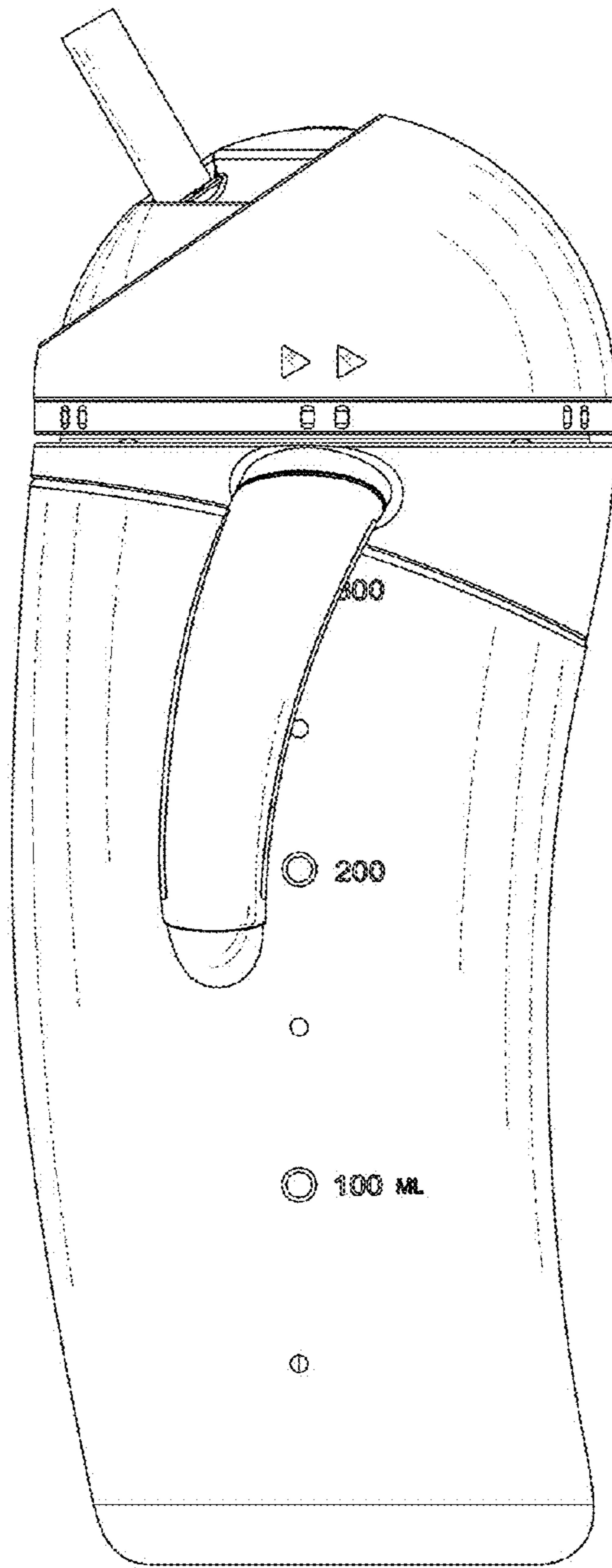


FIG. 6

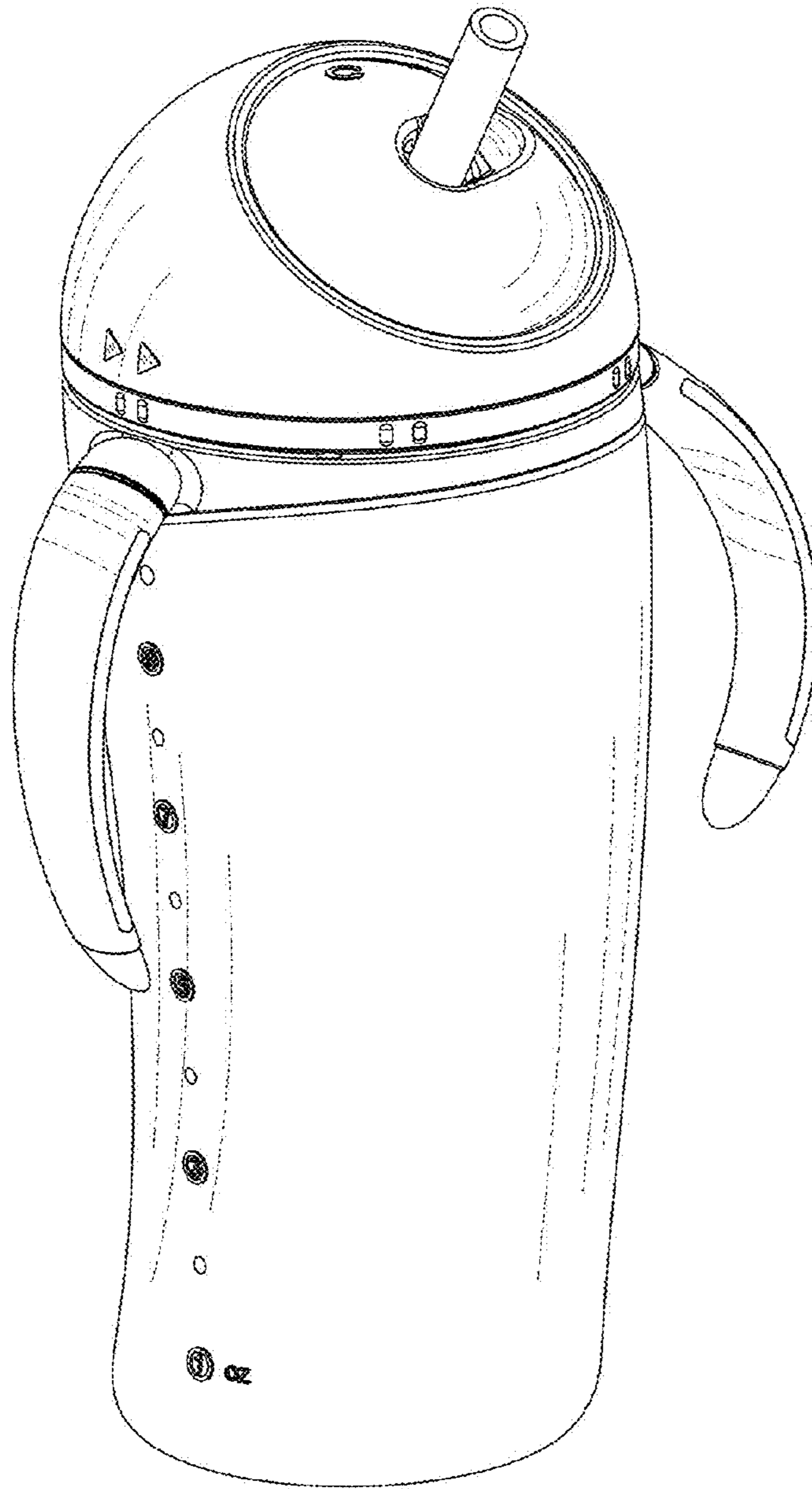


FIG. 7