



US00D715098S

(12) **United States Design Patent**
Johnson et al.

(10) **Patent No.:** **US D715,098 S**
(45) **Date of Patent:** **** Oct. 14, 2014**

(54) **WATER BOTTLE**

(71) Applicant: **Under Armour, Inc.**, Baltimore, MD
(US)

(72) Inventors: **Bradley Johnson**, Cockeysville, MD
(US); **Dwayne Boroski**, Lake in the
Hills, IL (US); **Marvin Lane**, Wheeling,
IL (US)

(73) Assignee: **Under Armour, Inc.**, Baltimore, MD
(US)

(**) Term: **14 Years**

(21) Appl. No.: **29/462,128**

(22) Filed: **Jul. 31, 2013**

(51) **LOC (10) Cl.** **07-99**

(52) **U.S. Cl.**
USPC **D7/396.4; D7/396.2**

(58) **Field of Classification Search**
CPC **A45F 3/16**
USPC **D7/608, 509, 510, 511, 397, 396.2,**
D7/396.4, 622; D34/1; D9/455; 222/548;
220/254.1, 715
See application file for complete search history.

(56) **References Cited**

U.S. PATENT DOCUMENTS

D370,153 S *	5/1996	Chaney et al.	D7/511
D434,278 S *	11/2000	Morales Segura	D7/608
D455,611 S *	4/2002	Kitamura et al.	D7/608
D488,961 S *	4/2004	Moran	D7/608
D517,371 S *	3/2006	Bielawski	D7/536
D588,411 S *	3/2009	Watanabe	D7/510
D592,012 S *	5/2009	Carreno	D7/510
D596,460 S *	7/2009	Nezu	D7/510
D618,418 S *	6/2010	Catron et al.	D34/12

D627,594 S *	11/2010	Boonprasop	D7/392.1
D655,580 S *	3/2012	Kotani	D7/608
D655,581 S *	3/2012	Kotani	D7/608
D656,360 S *	3/2012	Miller et al.	D7/510
D656,787 S *	4/2012	Phillips et al.	D7/510
8,245,870 B2 *	8/2012	McKinney et al.	220/375
D675,059 S *	1/2013	Carreno	D7/392.1
D676,708 S *	2/2013	Lane	D7/510
D678,729 S *	3/2013	Peeters et al.	D7/608
D685,229 S *	7/2013	Moran, Sr.	D7/608
D690,557 S *	10/2013	Carreno et al.	D7/510
D690,558 S *	10/2013	Lane	D7/510
D690,559 S *	10/2013	Lane	D7/510
D695,069 S *	12/2013	Lane	D7/510
D696,900 S *	1/2014	George et al.	D7/392.1
8,689,989 B2 *	4/2014	Lane	215/237

* cited by examiner

Primary Examiner — Marianne Pandozzi

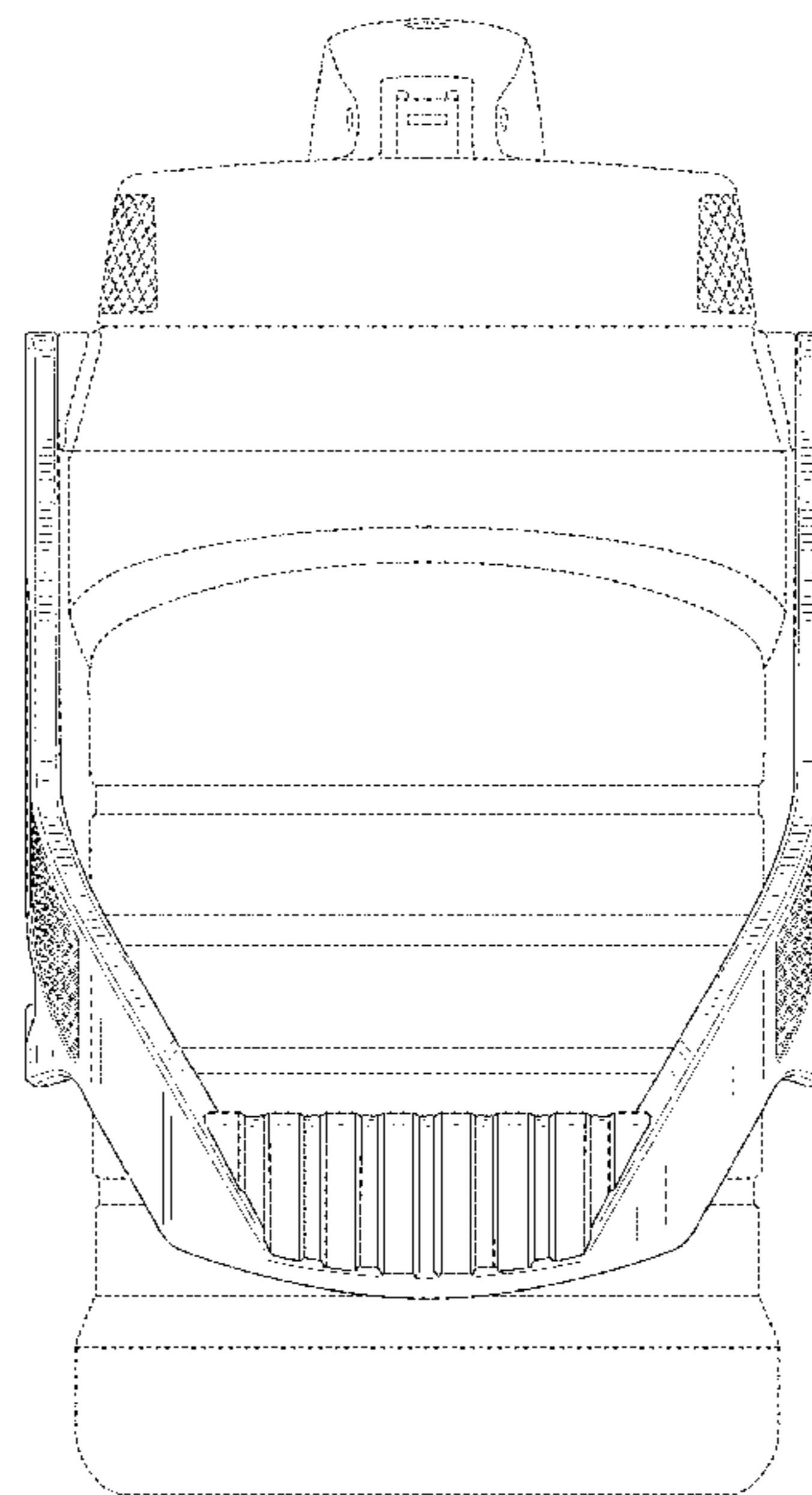
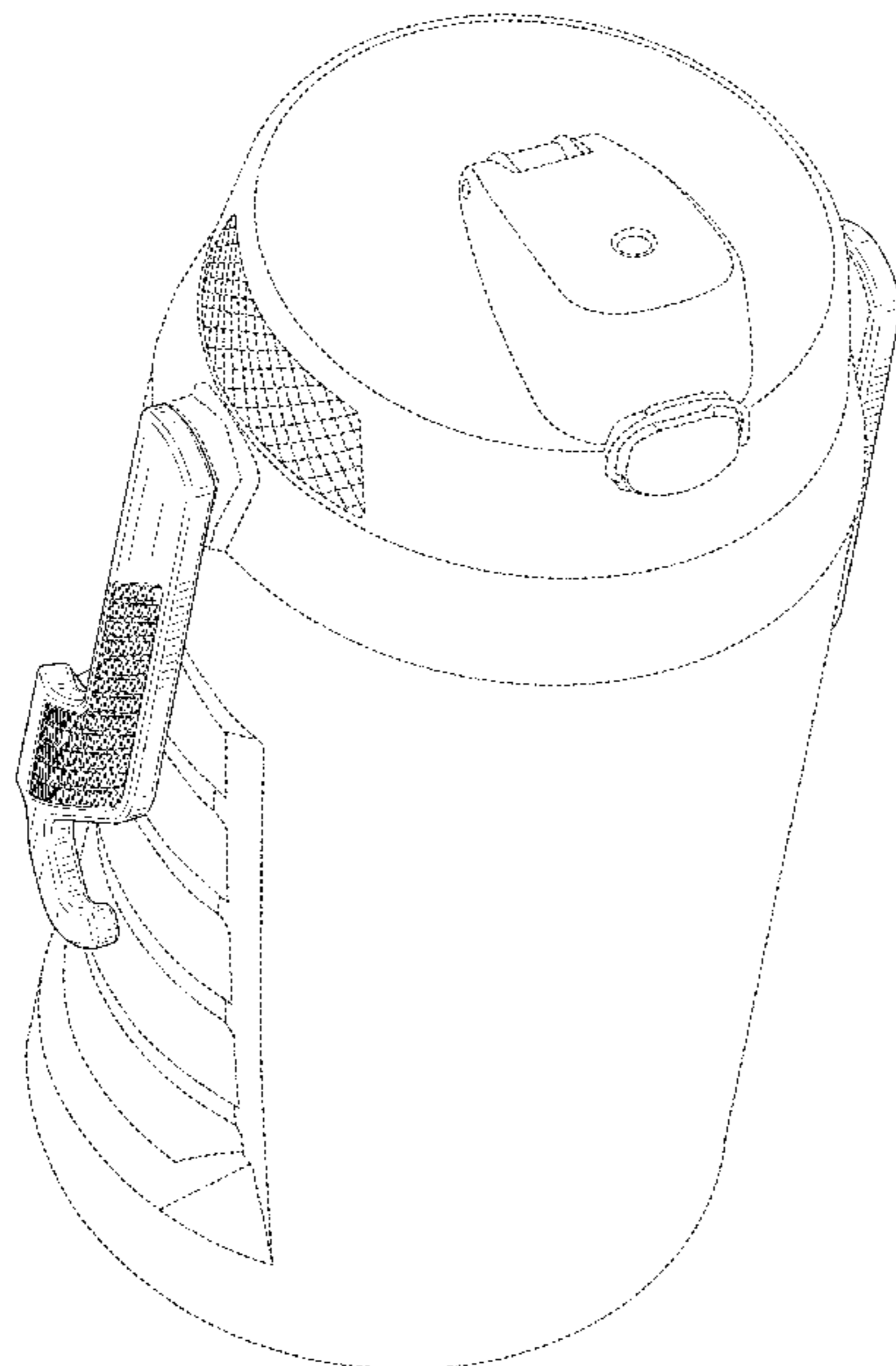
(57) **CLAIM**

The ornamental design for a water bottle, as shown and described.

DESCRIPTION

FIG. 1 is a top perspective view of a water bottle according to the present invention;
FIG. 2 is a bottom perspective view of the water bottle of FIG. 1;
FIG. 3 is a right side view of the water bottle of FIG. 1;
FIG. 4 is a left side view of the water bottle of FIG. 1;
FIG. 5 is a front view of the water bottle of FIG. 1;
FIG. 6 is a rear view of the water bottle of FIG. 1;
FIG. 7 is a top view of the water bottle of FIG. 1; and,
FIG. 8 is a bottom view of the water bottle of FIG. 1.
The broken lines in the figures merely illustrate the environment for the water bottle of the present design and therefore form no part of the claimed design.

1 Claim, 8 Drawing Sheets



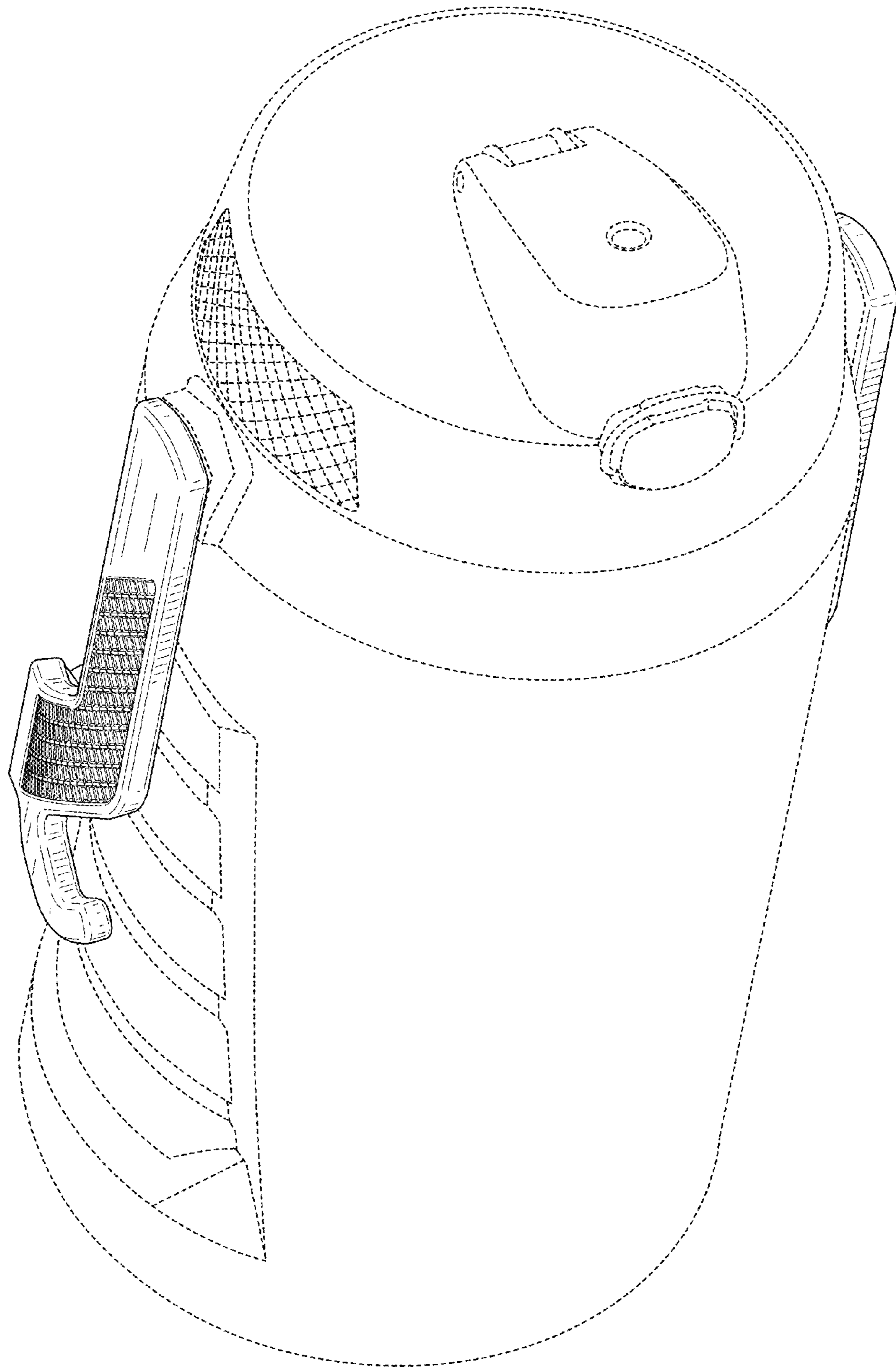


FIG. 1

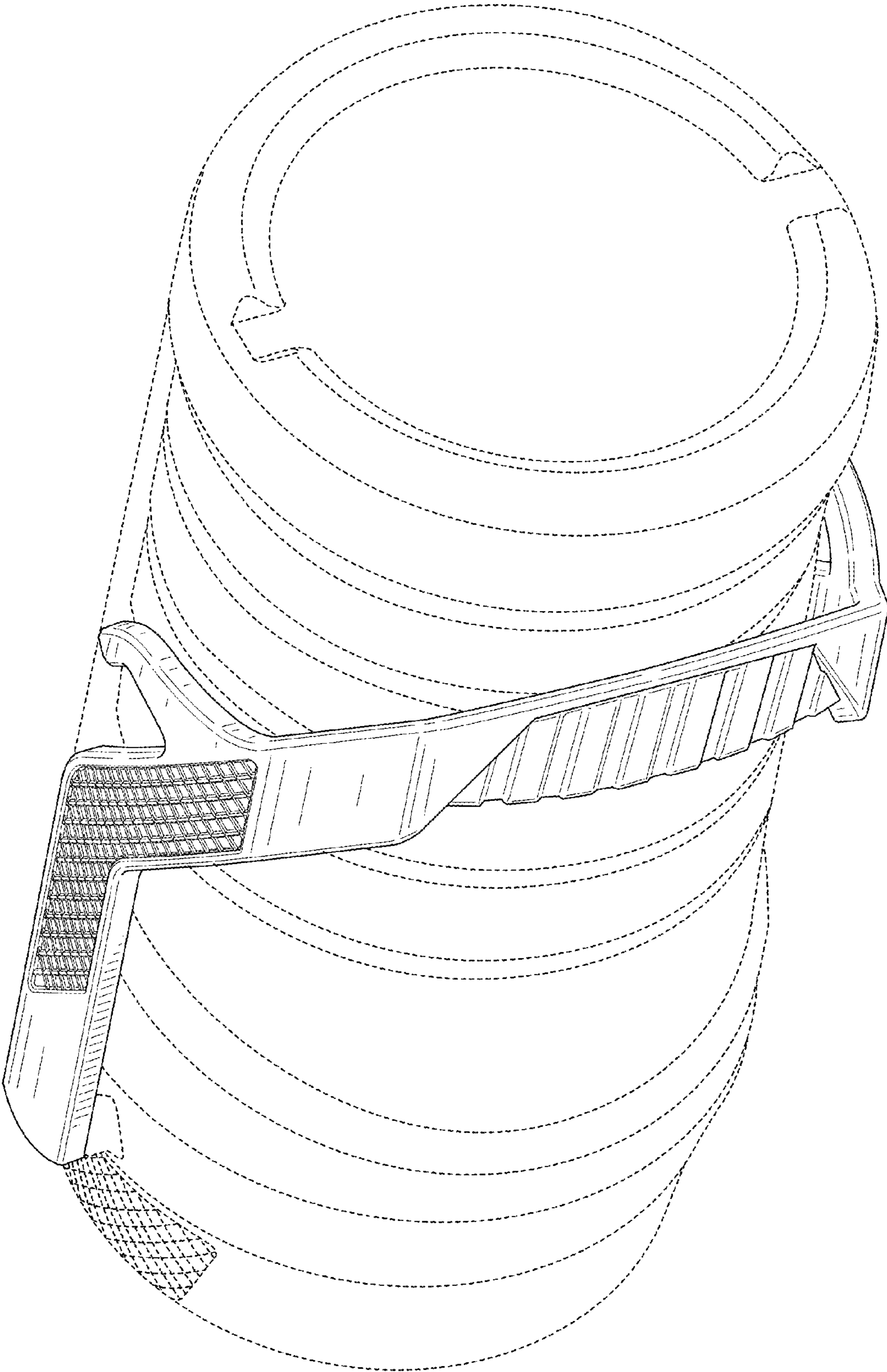


FIG. 2

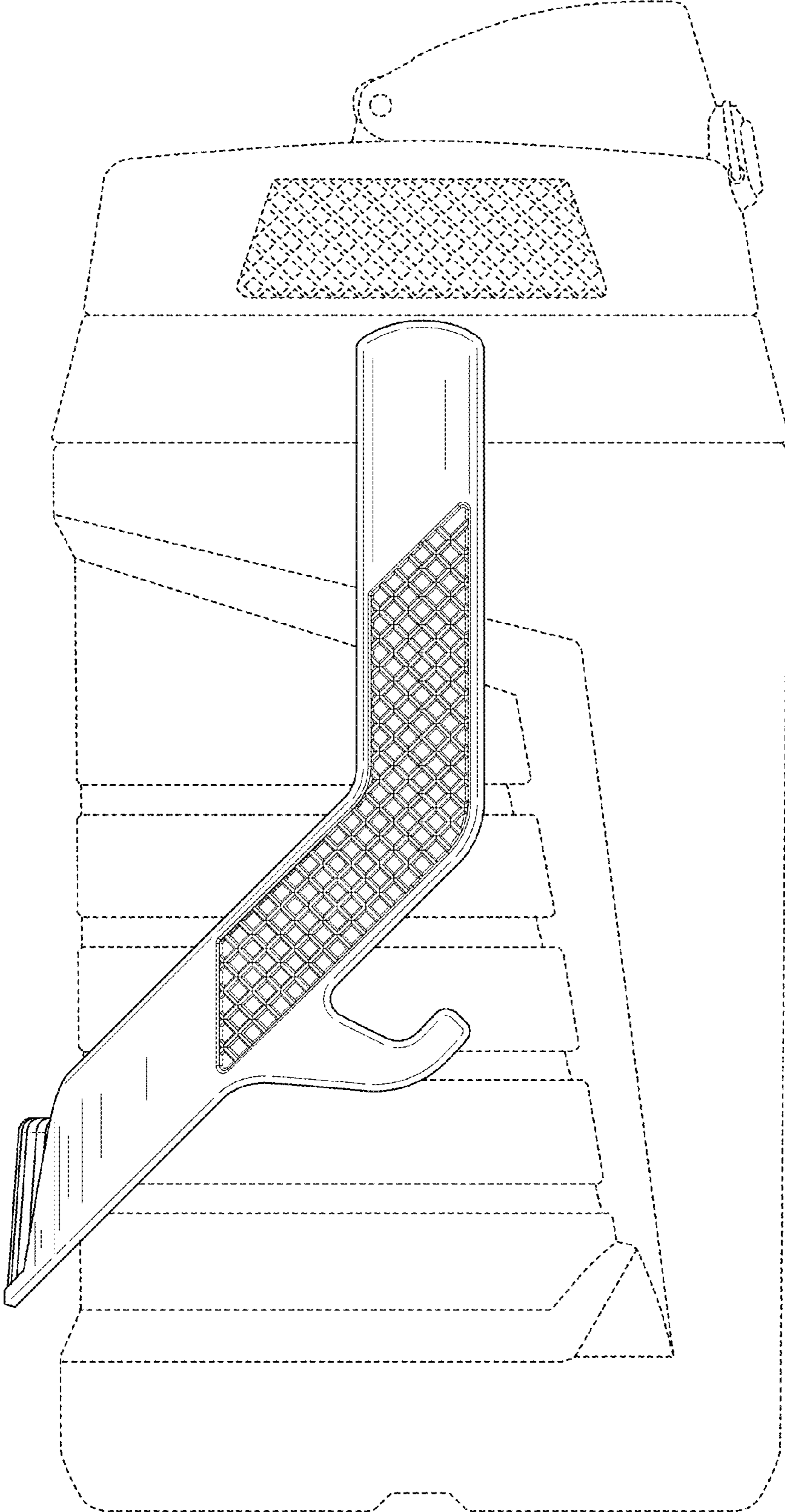


FIG. 3

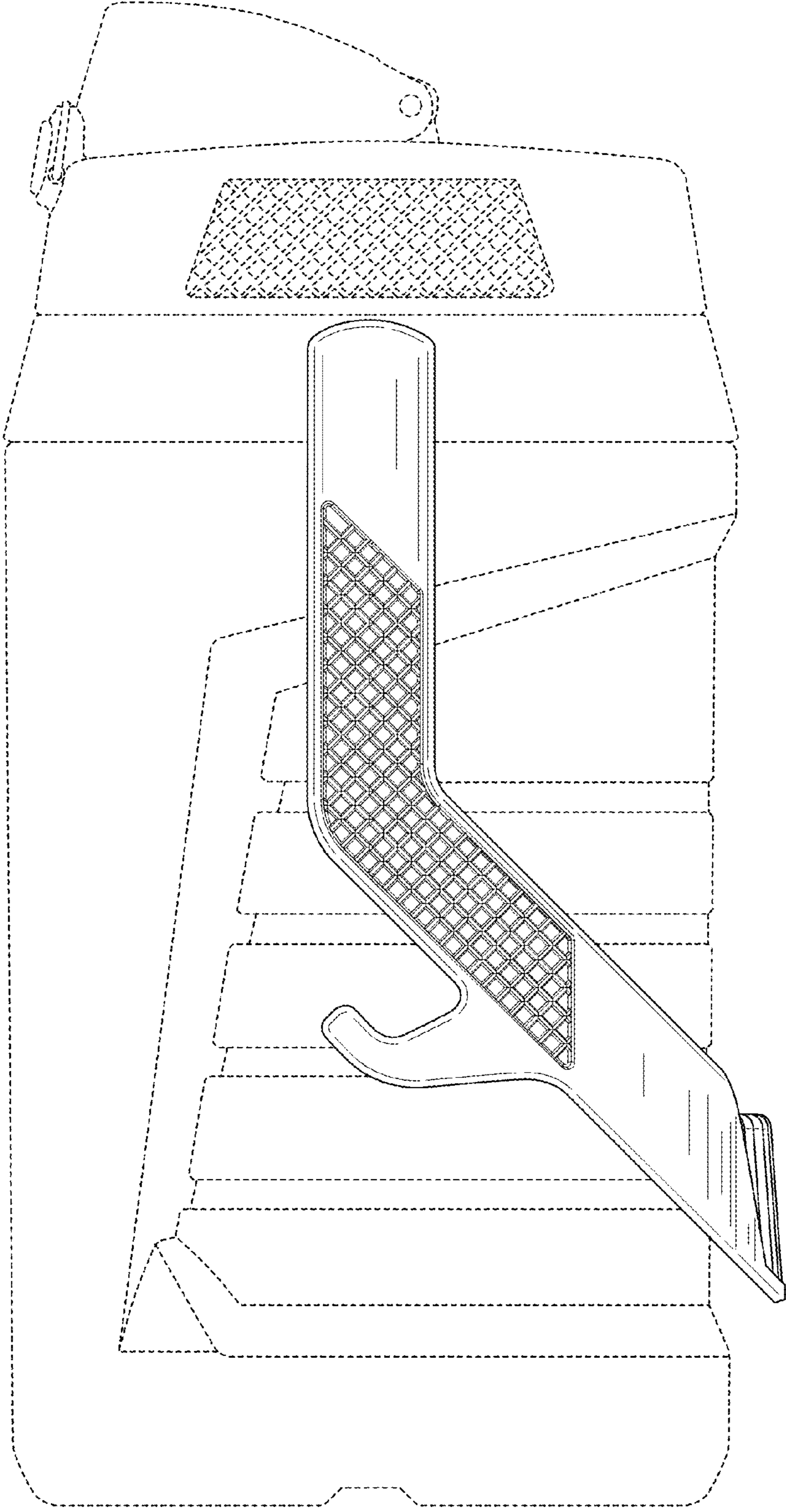


FIG. 4

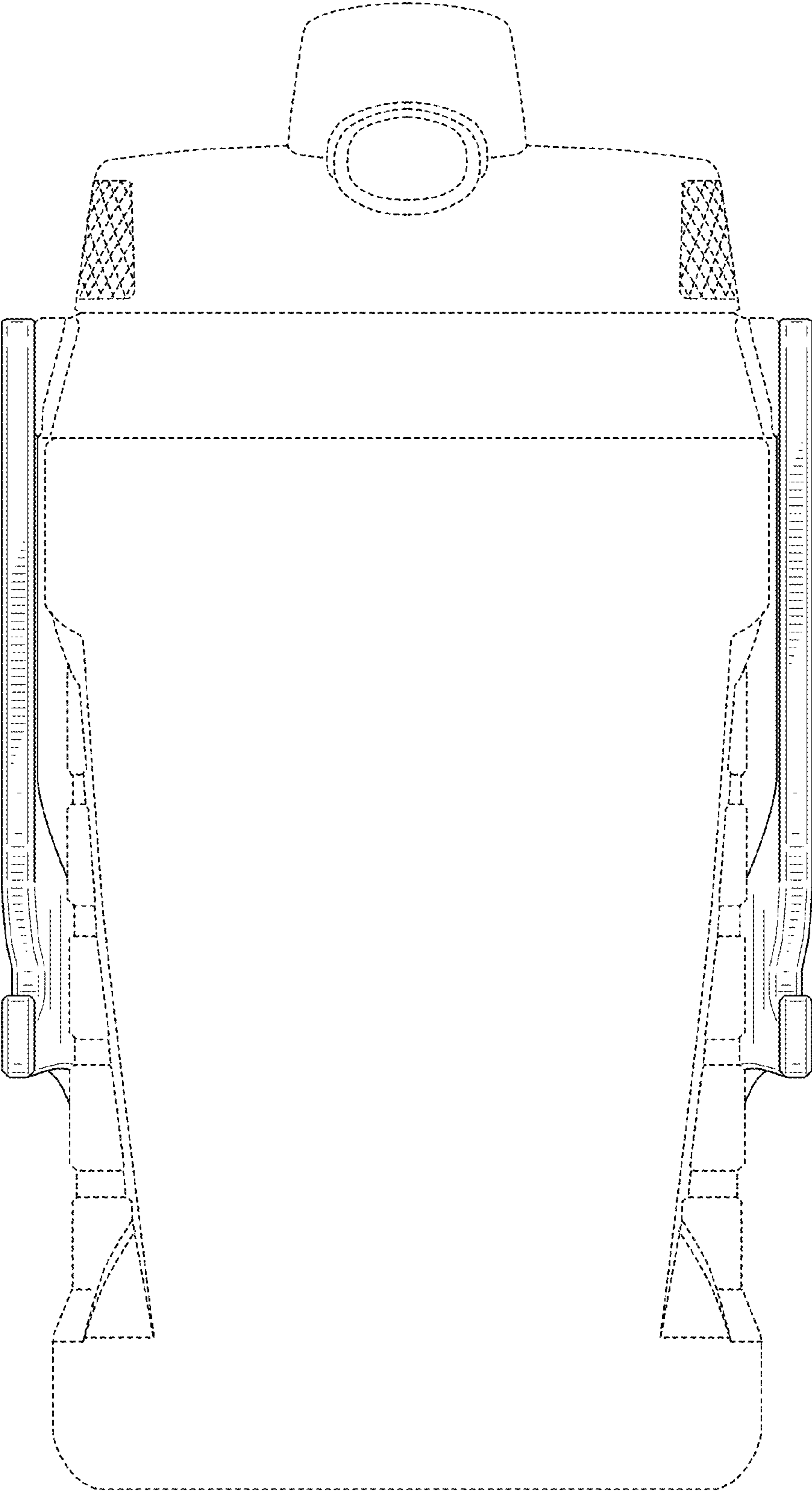


FIG. 5

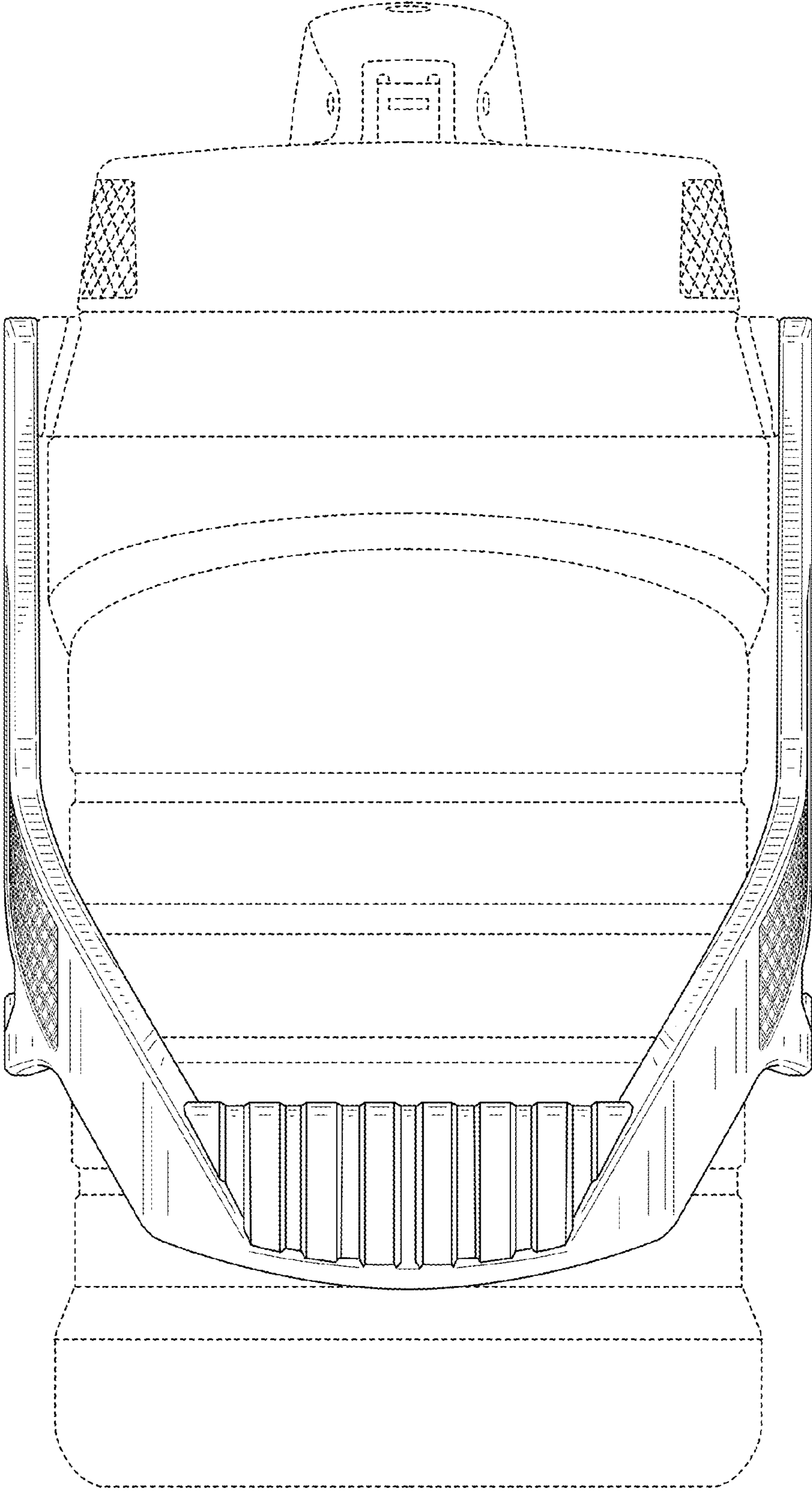


FIG. 6

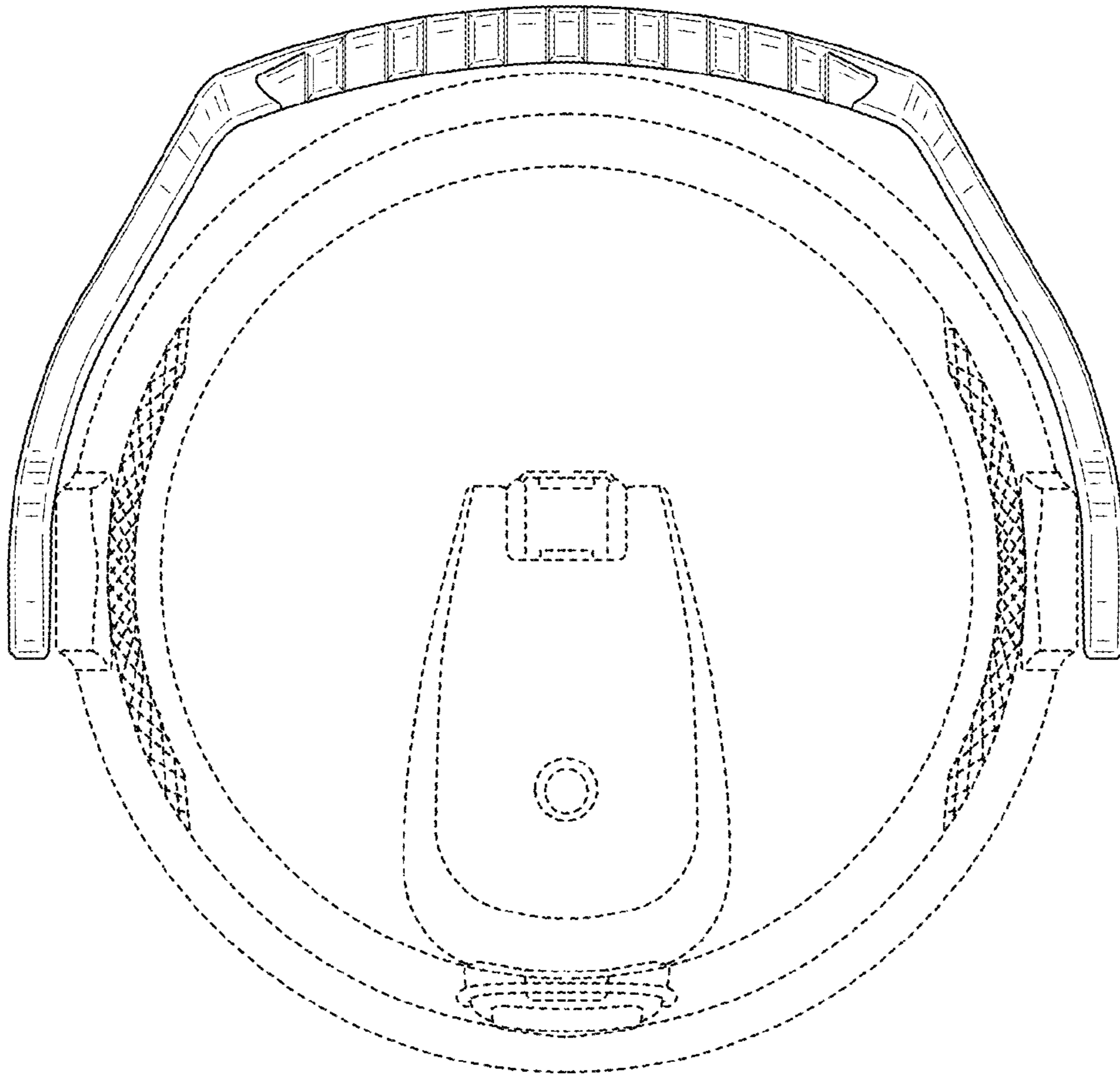


FIG. 7

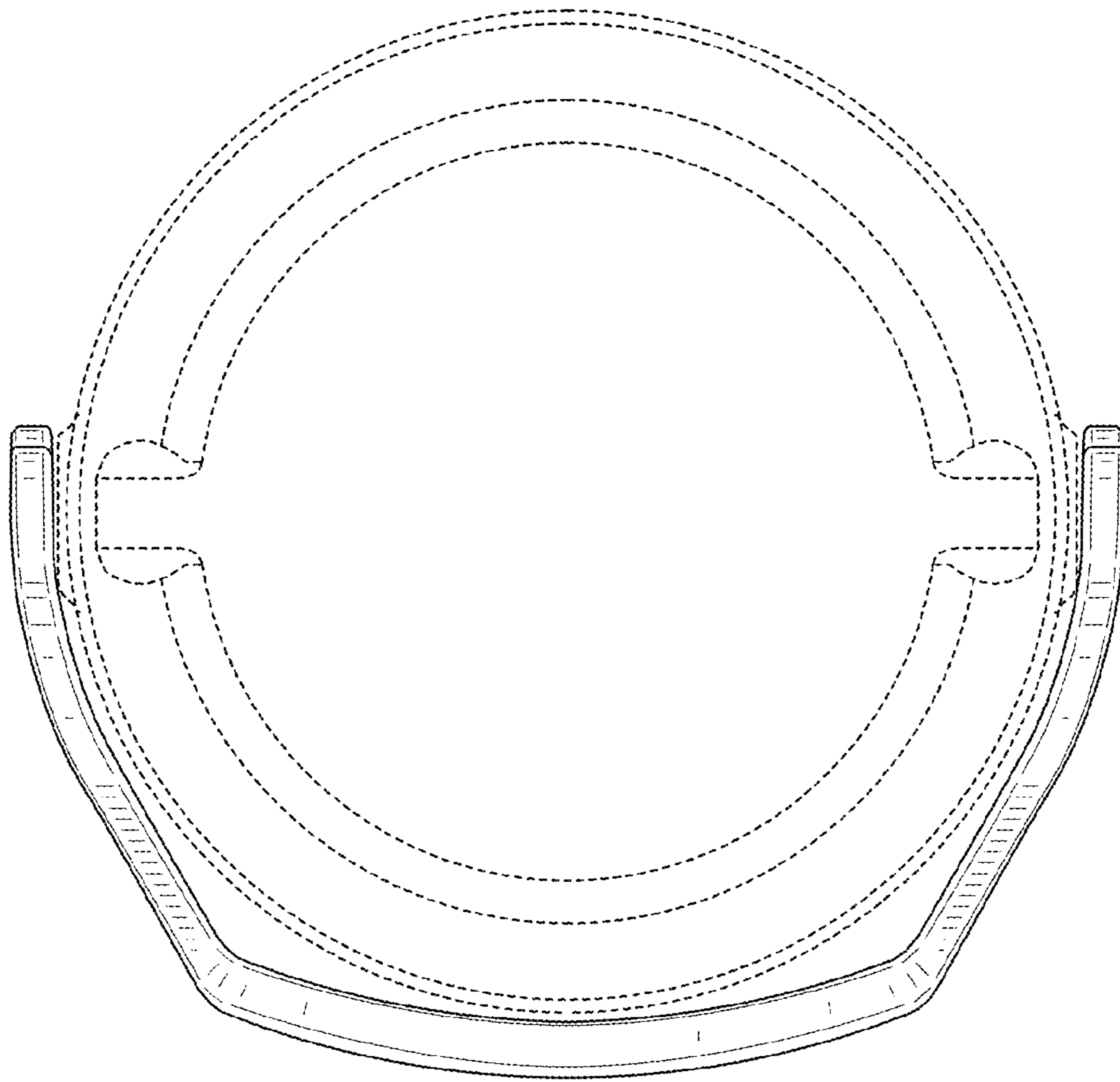


FIG. 8