



US00D715096S

(12) **United States Design Patent**
Thomas et al.

(10) **Patent No.:** **US D715,096 S**
(45) **Date of Patent:** **** Oct. 14, 2014**

(54) **BLENDER BASE**

366/64–65, 97–98, 100, 197–201,
366/205–207, 219–220, 341–343

(71) Applicant: **Breville Pty Limited**, Botany (AU)

See application file for complete search history.

(72) Inventors: **Mark Thomas**, Leichhardt (AU); **Greg Upston**, Ridgewood (AU)

(56)

References Cited

(73) Assignee: **Breville Pty Limited**, Bolany, New South Wales (AU)

U.S. PATENT DOCUMENTS

(**) Term: **14 Years**

(21) Appl. No.: **29/483,809**

(22) Filed: **Mar. 3, 2014**

(30) **Foreign Application Priority Data**

Sep. 5, 2013 (AU) 201314422

(51) **LOC (10) CL.** **31-00**

(52) **U.S. CL.**

USPC **D7/386**; D7/376; D7/378; D7/384

(58) **Field of Classification Search**

CPC A21C 1/02; A21C 1/04; A23N 1/00;
A23N 1/02; A47J 43/04; A47J 43/25; A47J
43/27; A47J 43/042; A47J 43/044; A47J
43/046; A47J 43/075; A47J 43/0722; A47J
43/0727; B01F 3/00; B01F 3/0807; B01F
3/0853; B01F 13/0059; B01F 13/0064;
B02C 1/08; B02C 2/04; B02C 4/42; B02C
4/142; B02C 4/143; B02C 4/423; B02C
13/1835; B28C 5/10; B28C 5/12; B28C 5/14;
B28C 5/16

USPC D7/306, 309, 326, 372, 376–386,
D7/412–413, 602, 629, 665–666, 669, 679,
D7/693–694; D24/220; 99/509–511;
241/98, 101.01–101.2, 166–169.1,
241/274–278.2, 285.1–285.3, 291, 292.1;

D347,966 S *	6/1994	Doggett	D7/378
D369,512 S *	5/1996	Brady	D7/386
D417,581 S *	12/1999	Barthelemy et al.	D7/378
D537,674 S *	3/2007	Davenport et al.	D7/378
D538,595 S *	3/2007	White et al.	D7/413
D577,537 S *	9/2008	Lee	D7/386
D580,216 S *	11/2008	Ryan	D7/384
D611,760 S *	3/2010	Ball	D7/378
D625,141 S *	10/2010	Moore	D7/378
D658,430 S *	5/2012	Hoare et al.	D7/386
D668,501 S *	10/2012	Hensel et al.	D7/386
D695,060 S *	12/2013	Penaherrera et al.	D7/386
D701,615 S *	3/2014	Pluska et al.	D24/220

* cited by examiner

Primary Examiner — Ricky Pham

(74) *Attorney, Agent, or Firm* — Molins & Co Pty Ltd

(57)

CLAIM

The ornamental design for a blender base, as shown and described.

DESCRIPTION

FIG. 1 is a front perspective view of a blender base showing our new design;

FIG. 2 is a rear perspective view thereof;

FIG. 3 is a top view thereof;

FIG. 4 is a bottom view thereof;

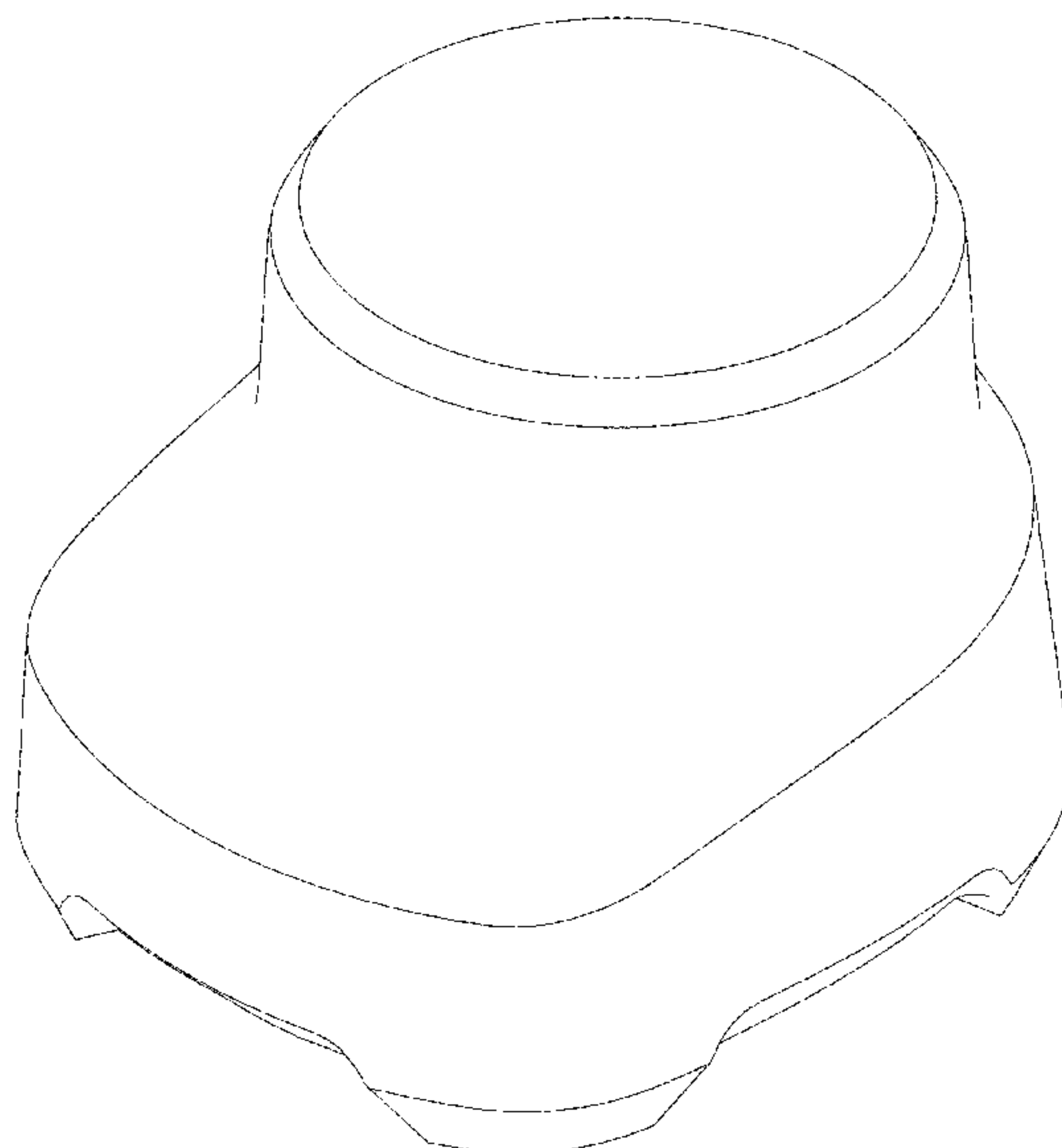
FIG. 5 is a left side view thereof;

FIG. 6 is a right side view thereof;

FIG. 7 is a front view thereof; and,

FIG. 8 is a back view thereof.

1 Claim, 8 Drawing Sheets



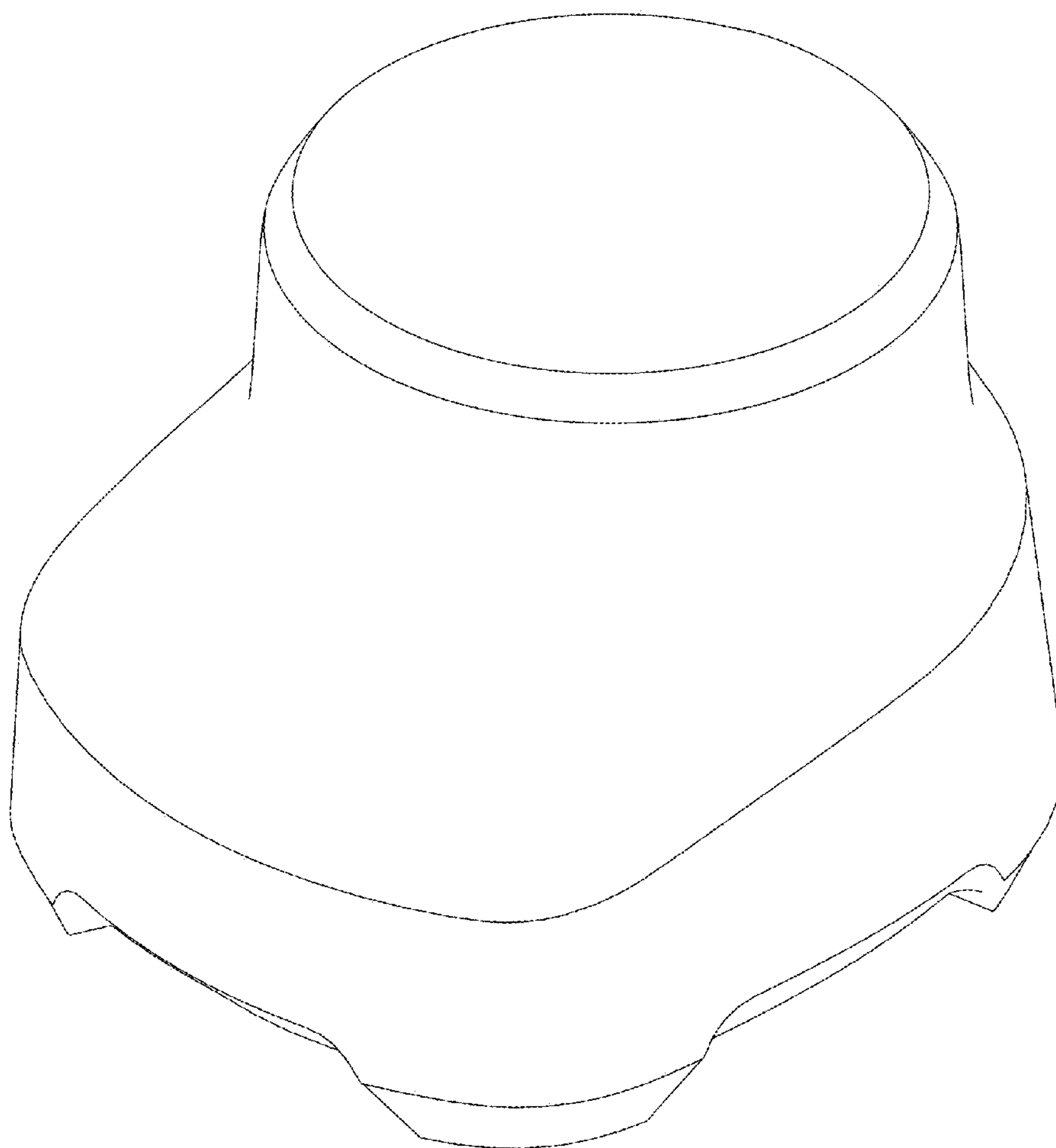


FIG. 1

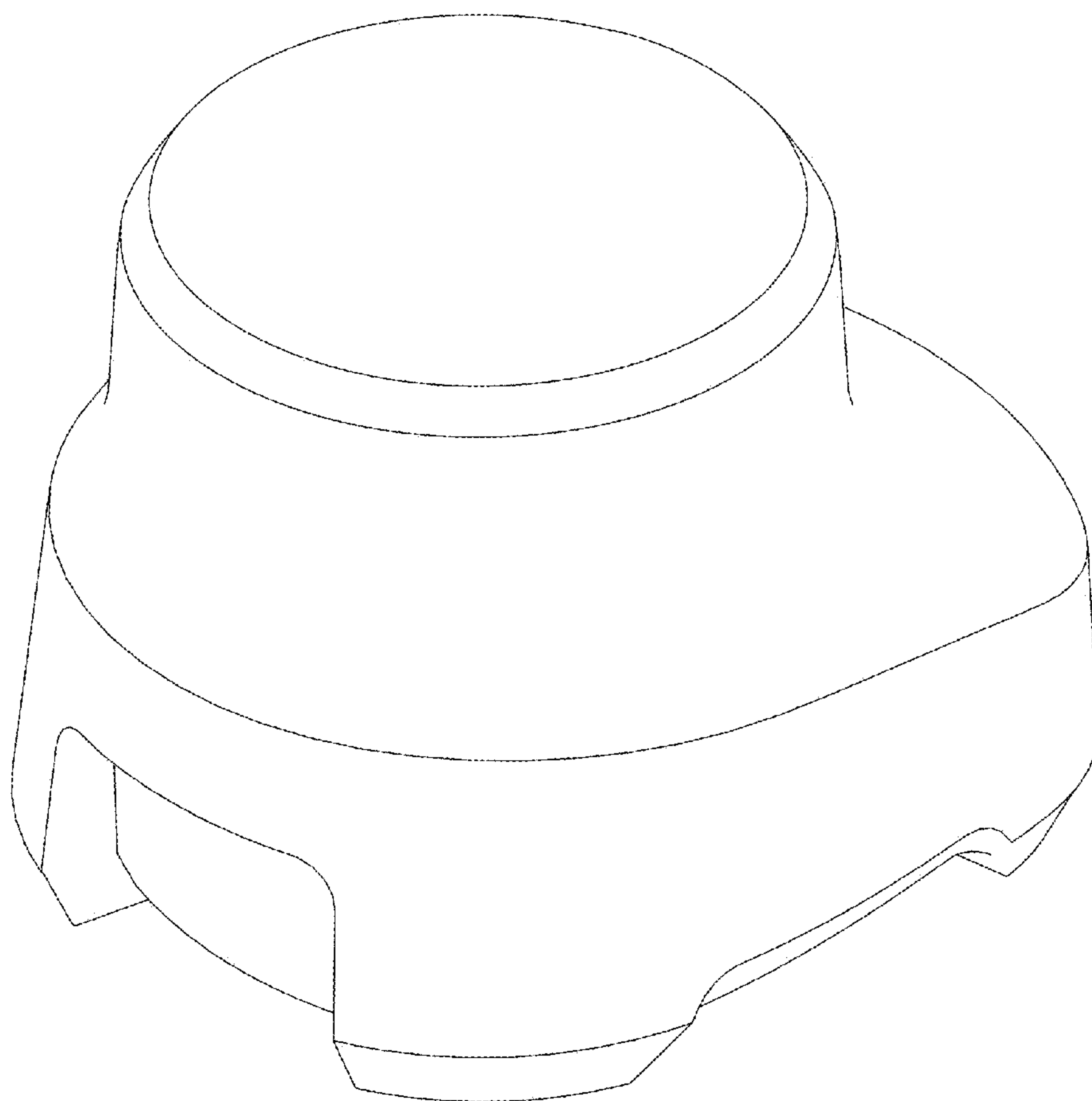


FIG. 2

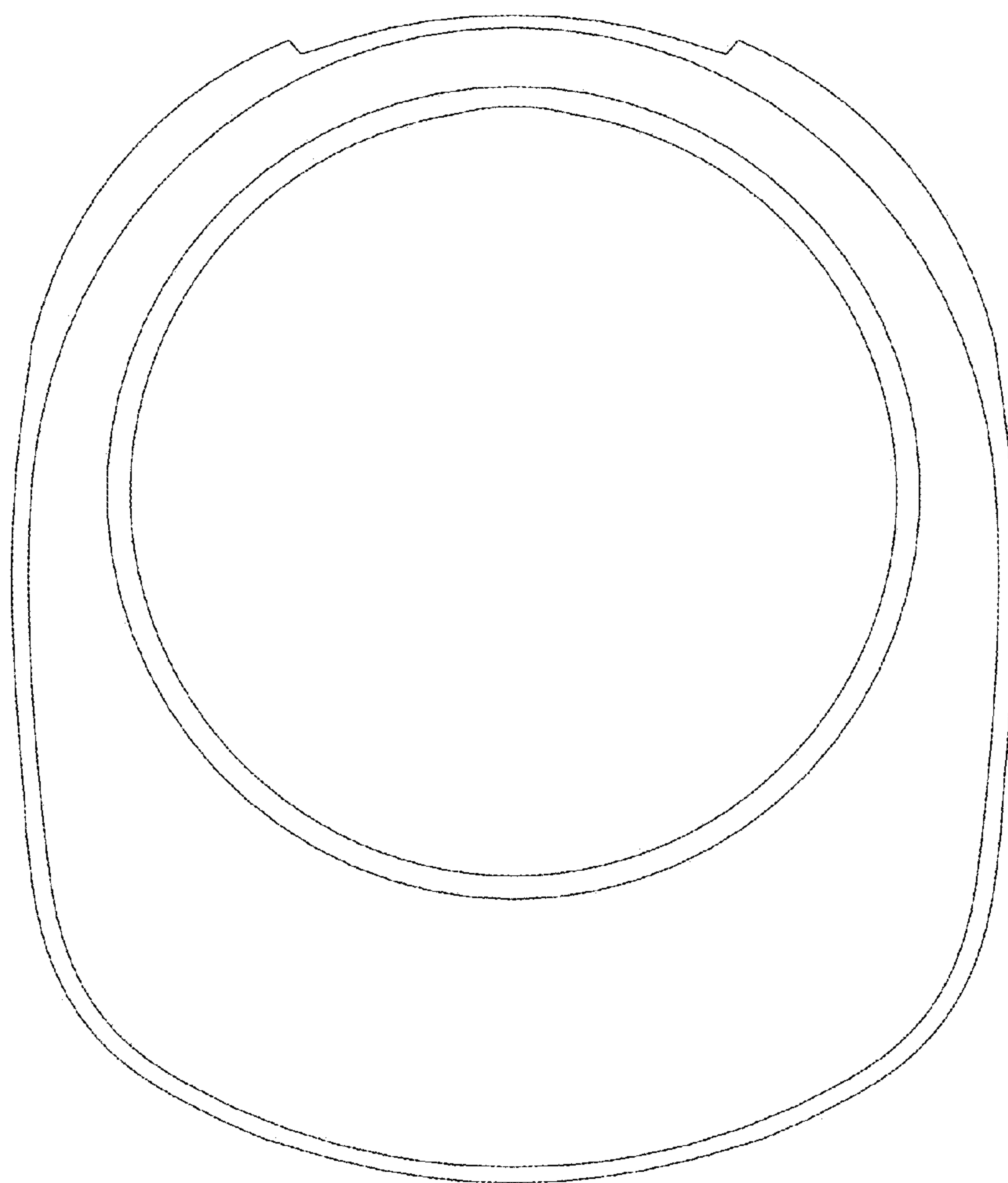


FIG. 3

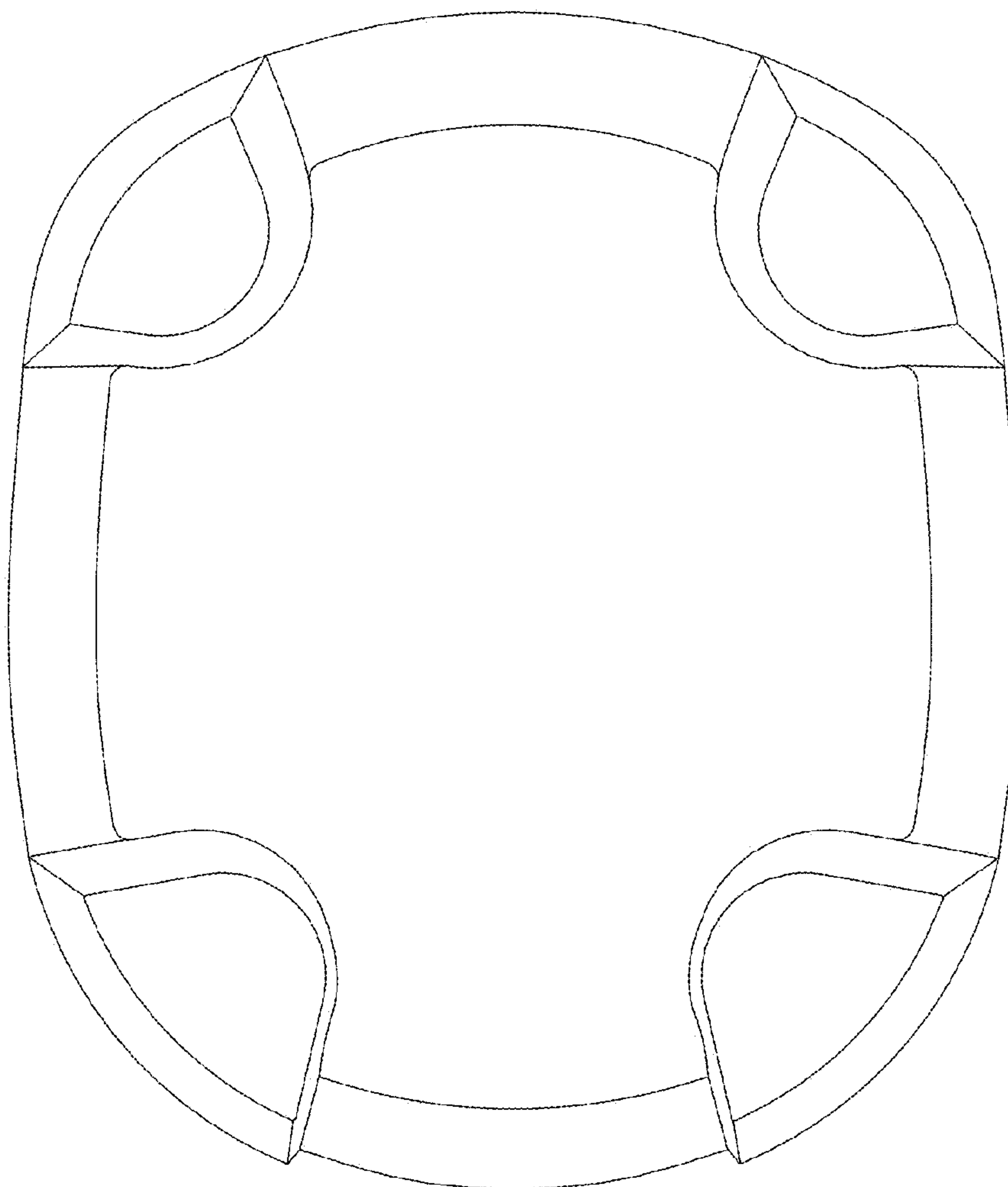


FIG. 4

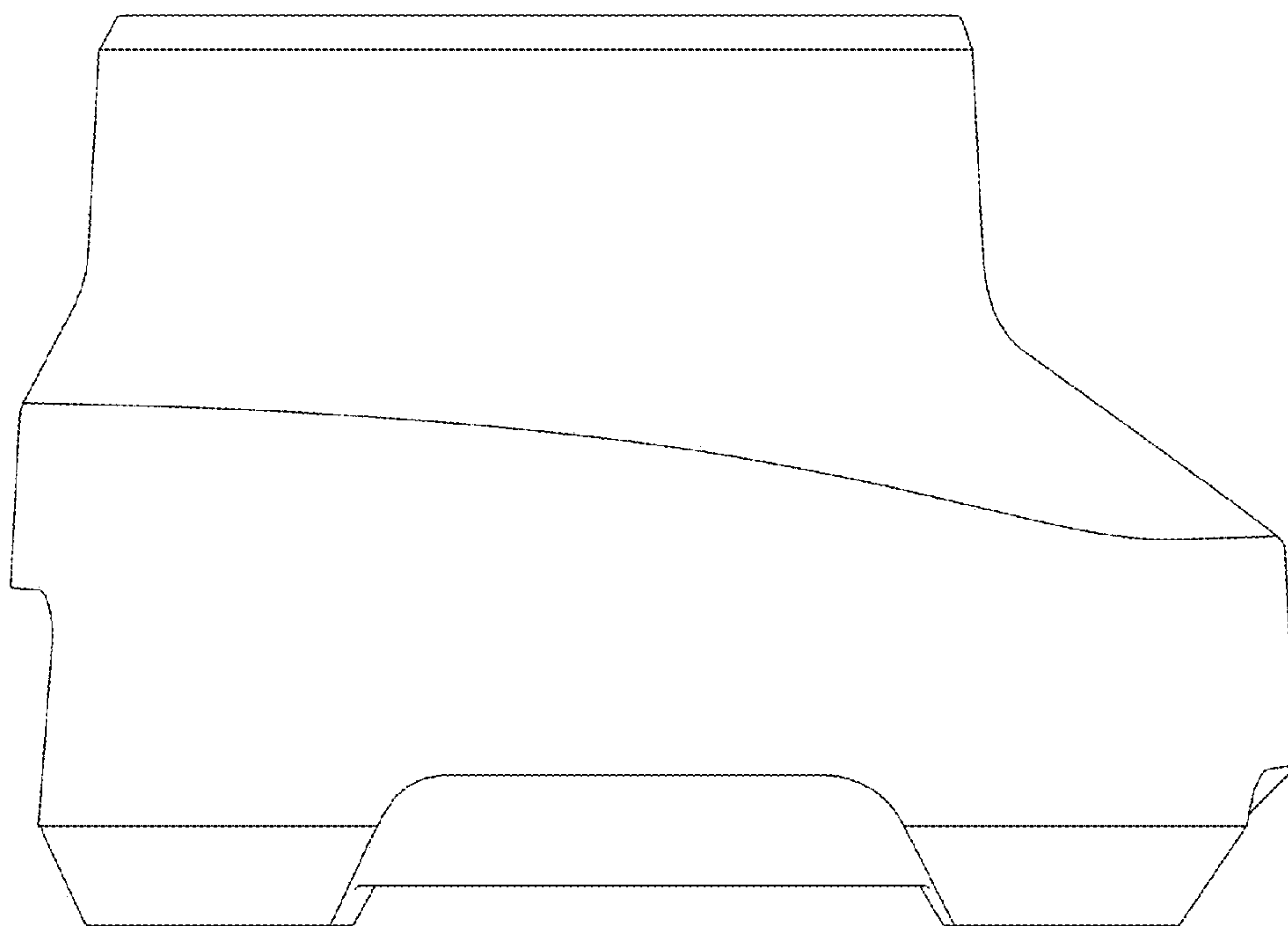


FIG. 5

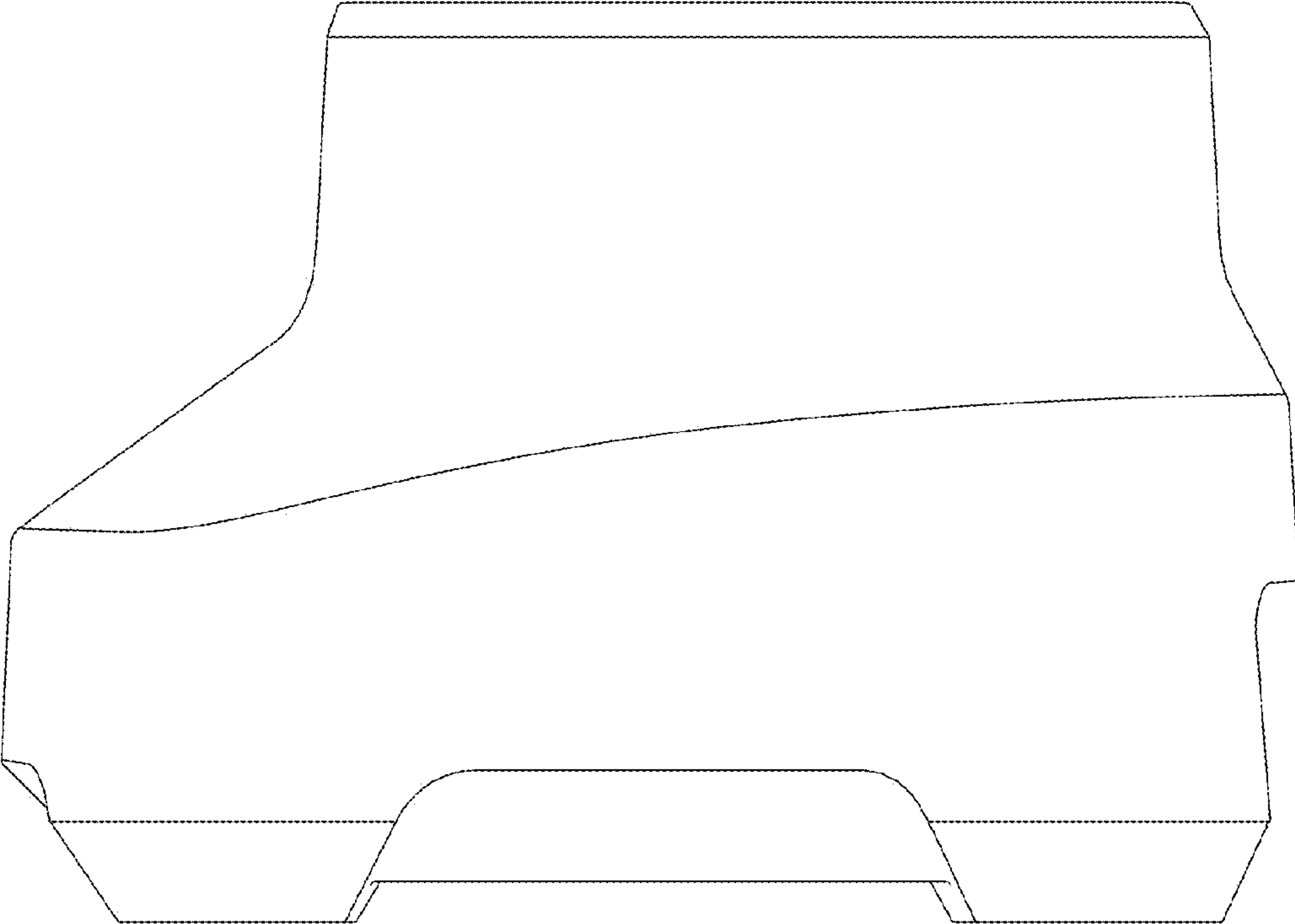


FIG. 6

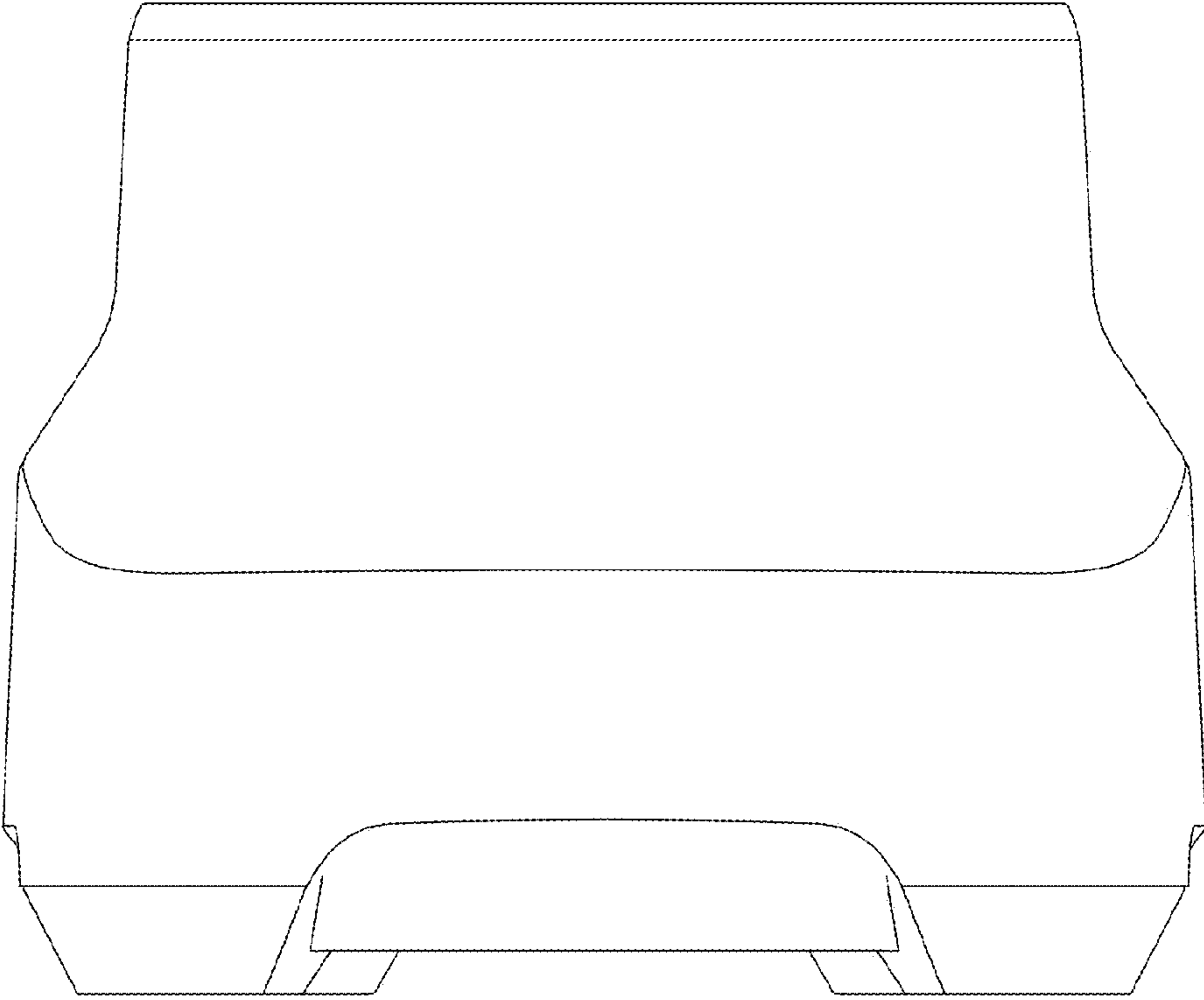


FIG. 7

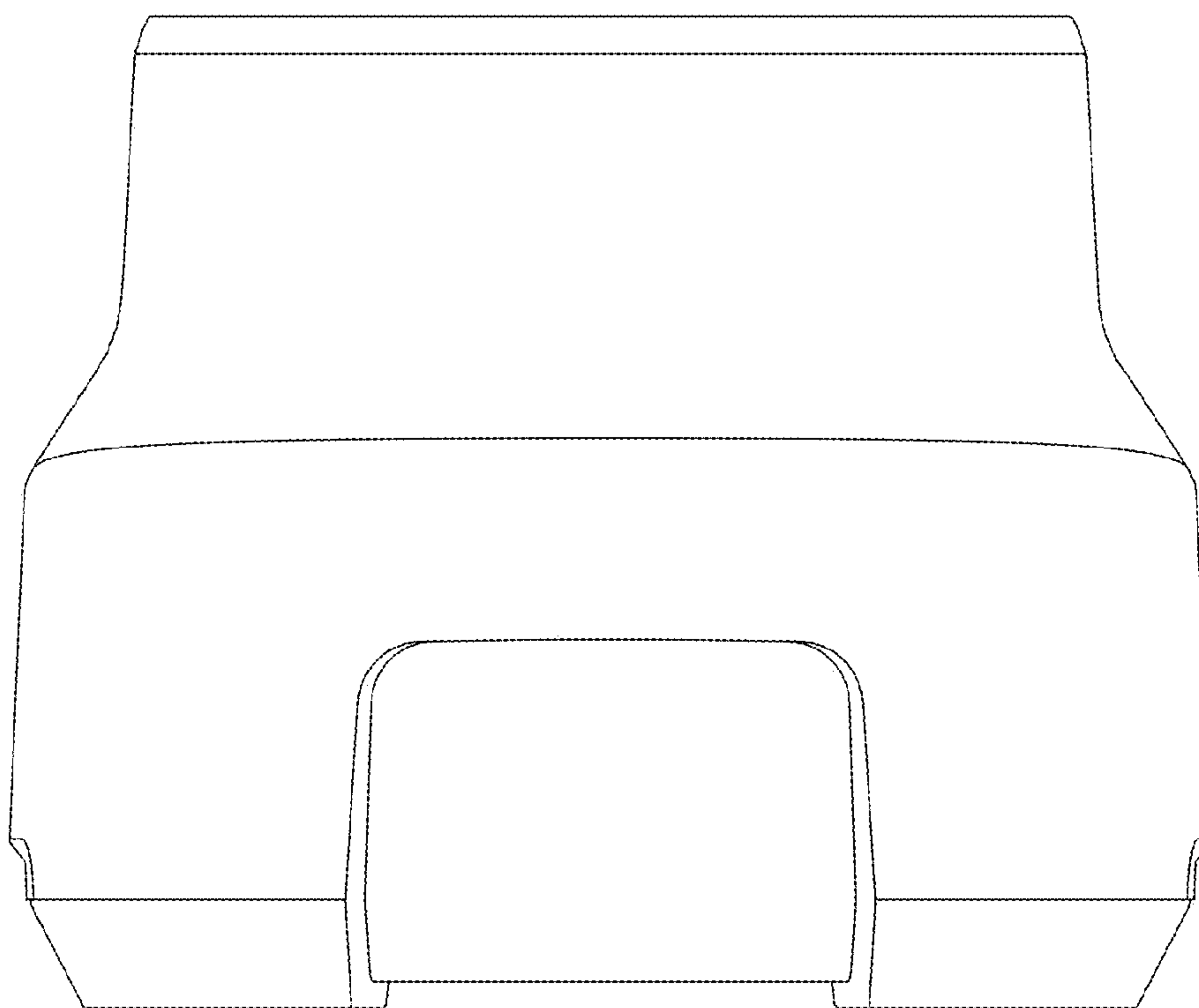


FIG. 8