



US00D715094S

(12) **United States Design Patent**  
**Cornu et al.**

(10) **Patent No.:** **US D715,094 S**  
(45) **Date of Patent:** **\*\* Oct. 14, 2014**

(54) **MINCER**  
(71) Applicant: **Dart Industries Inc.**, Orlando, FL (US)  
(72) Inventors: **Judicaël Cornu**, Brussels (BE); **Vincent Jalet**, Brussels (BE)

D260,129 S \* 8/1981 Shun ..... D7/678  
5,970,860 A 10/1999 Yip  
6,464,156 B1 \* 10/2002 Wexell ..... 241/93  
D474,369 S 5/2003 Benzon et al.  
D507,455 S \* 7/2005 Bertulis ..... D7/376  
7,207,510 B2 4/2007 Wong  
D641,597 S \* 7/2011 Tang ..... D7/678

(73) Assignee: **Dart Industries Inc.**, Orlando, FL (US)  
(\*\*) Term: **14 Years**

**OTHER PUBLICATIONS**

Tefal® Fresh Express Food Processor; Model #MB754540; Jun. 20, 2013.

(21) Appl. No.: **29/471,646**

\* cited by examiner

(22) Filed: **Nov. 4, 2013**

*Primary Examiner* — Terry Wallace

(51) **LOC (10) Cl.** ..... **07-04**

(74) *Attorney, Agent, or Firm* — Taylor J. Ross

(52) **U.S. Cl.**  
USPC ..... **D7/372**; D7/376; D7/381

(57) **CLAIM**

The ornamental design for a mincer, as shown and described.

(58) **Field of Classification Search**  
CPC ..... B26D 1/36; A47J 43/255  
USPC ..... D7/678, 679, 372–374, 376–384;  
99/286, 304, 306, 586, 492, 495,  
99/510–513; 241/82.1, 83, 82.5, 82.4, 95,  
241/92, 101.1, 100, 249, 277, 285.1, 93,  
241/169.1, 37.5, 282.1; 366/129, 130,  
366/197–199, 204, 205, 306, 318, 601  
See application file for complete search history.

**DESCRIPTION**

This application is related to co-pending application Ser. Nos. 14/071,624 and 29/471,648, which are incorporated by reference herein.

FIG. 1 is a top, front and left side perspective view of a mincer showing our new design;

FIG. 2 is a top plan view thereof;

FIG. 3 is a bottom plan view thereof;

FIG. 4 is a front elevation view thereof;

FIG. 5 is a rear elevation view thereof;

FIG. 6 is a left side elevation view, the right side being a mirror image thereof; and,

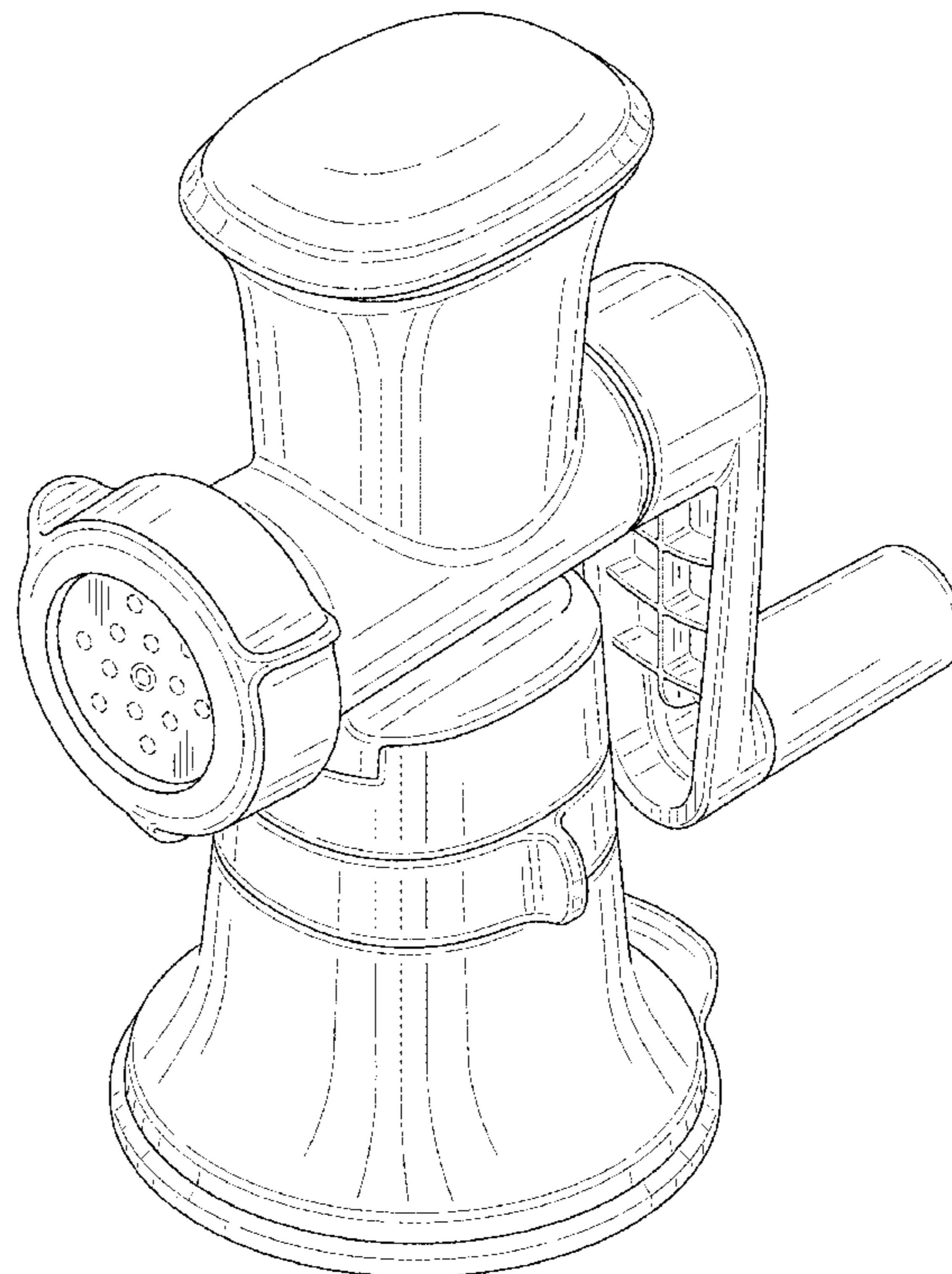
FIG. 7 is a cross-sectional view taken along line 7-7 of FIG. 6.

(56) **References Cited**

**U.S. PATENT DOCUMENTS**

3,376,910 A 4/1968 Popeil  
D233,123 S \* 10/1974 Rigamonti ..... D7/372  
4,227,656 A \* 10/1980 Engebretsen ..... 241/93

**1 Claim, 5 Drawing Sheets**



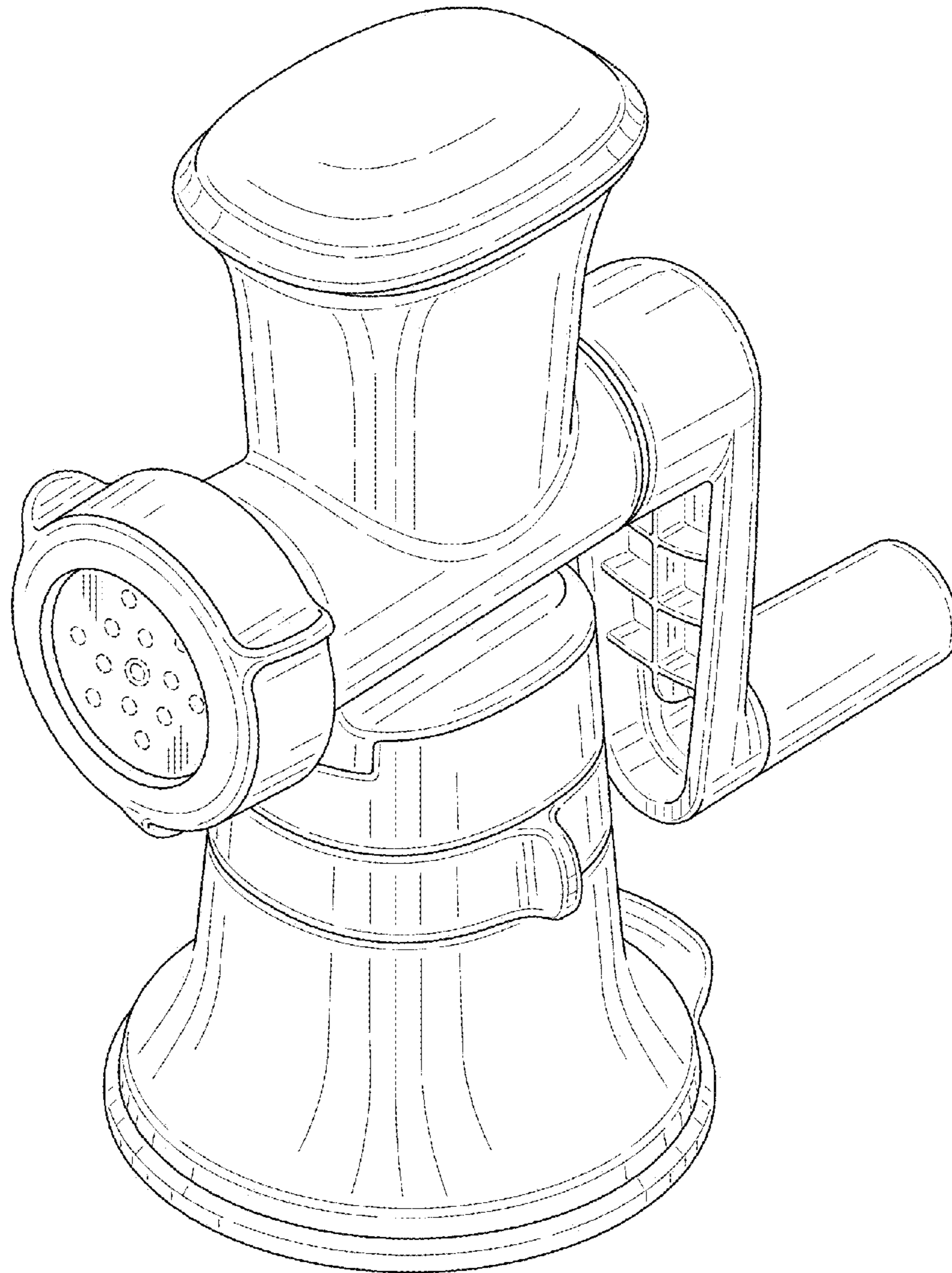


FIG. 1

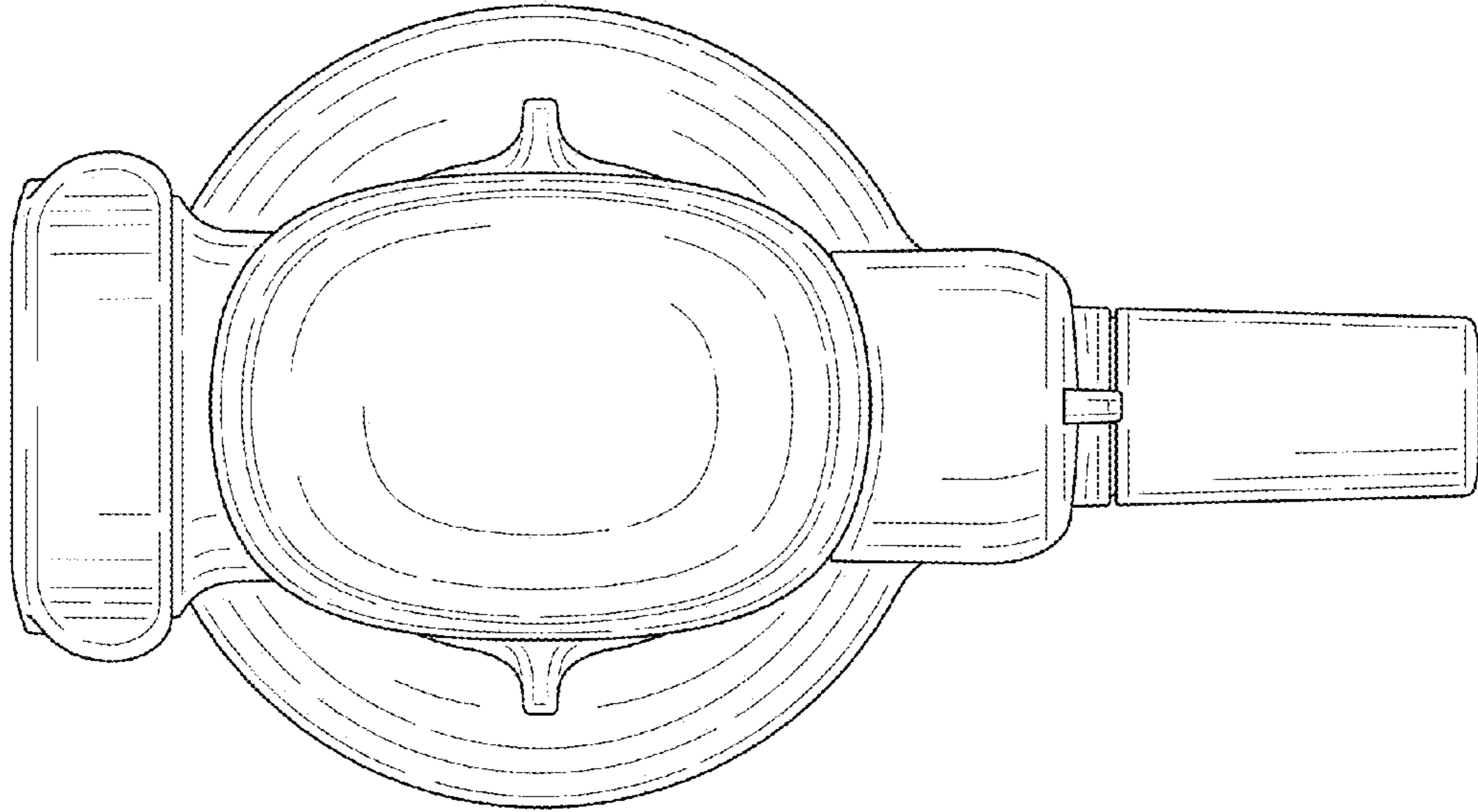


FIG. 2

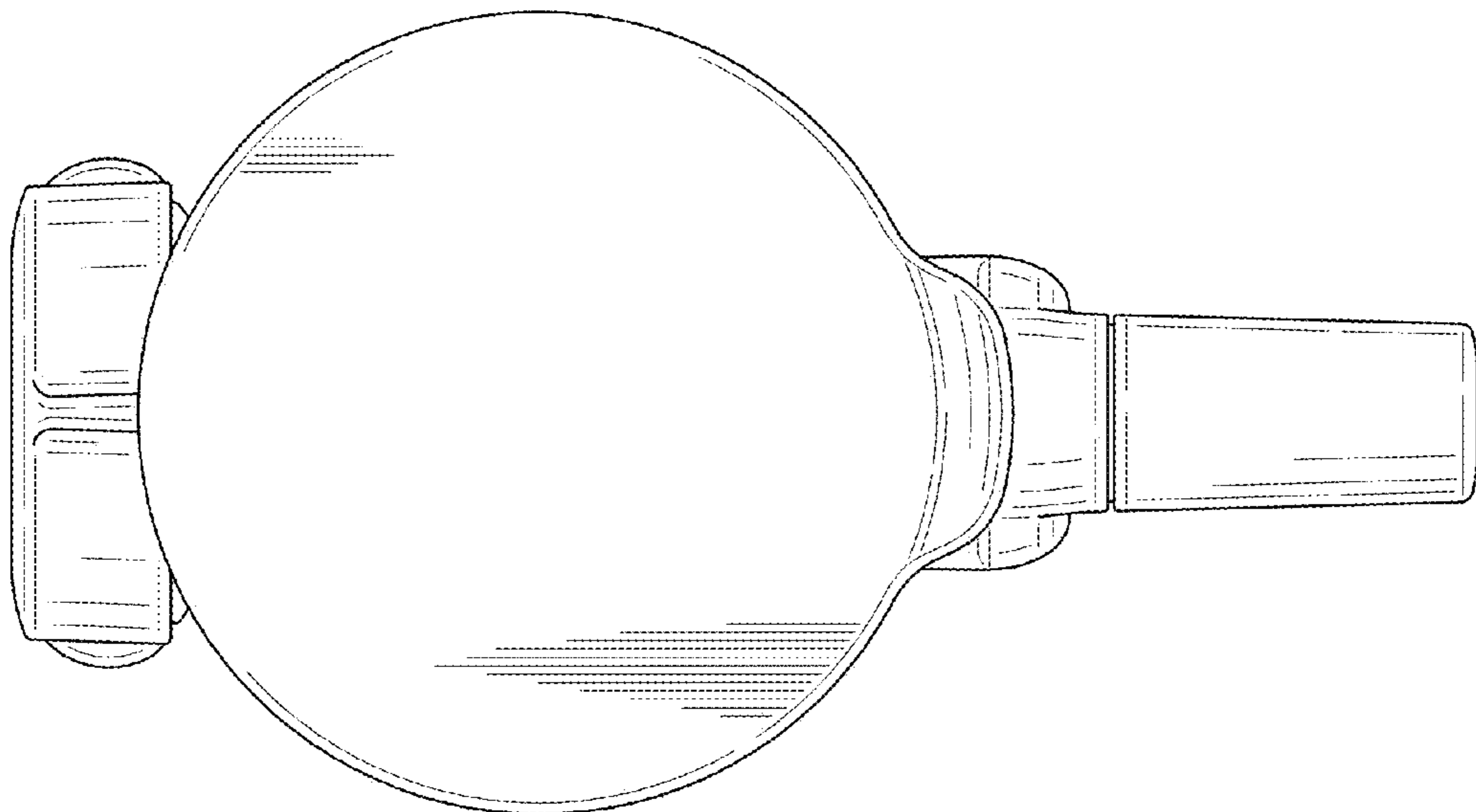


FIG. 3

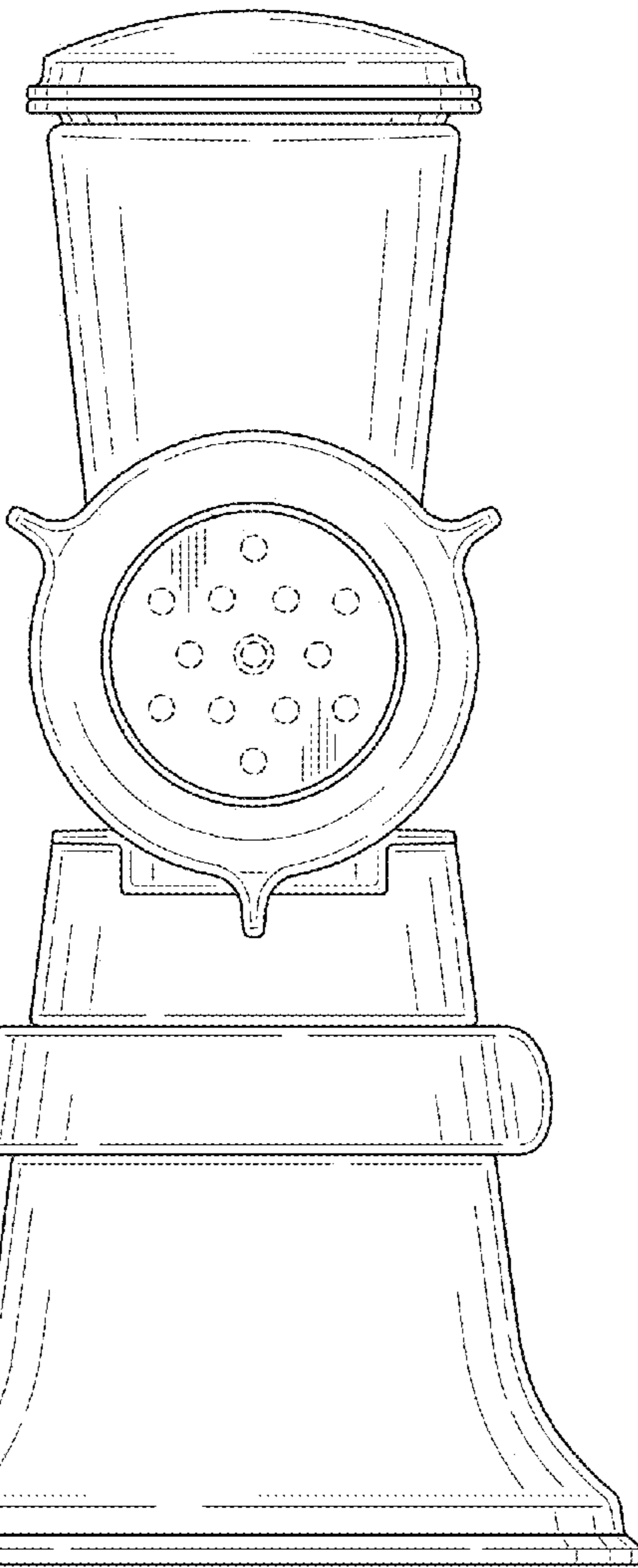
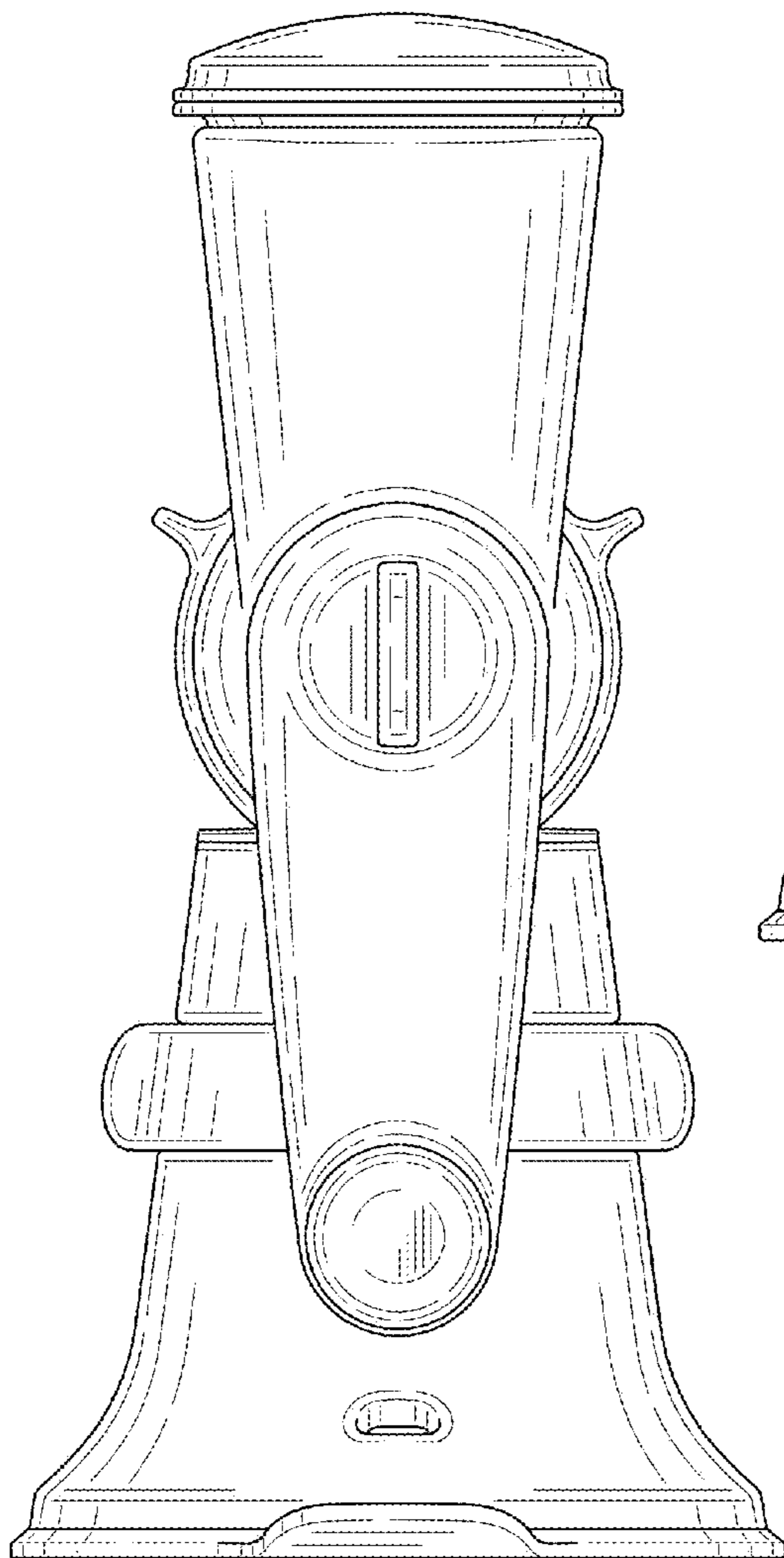


FIG. 4

FIG. 5



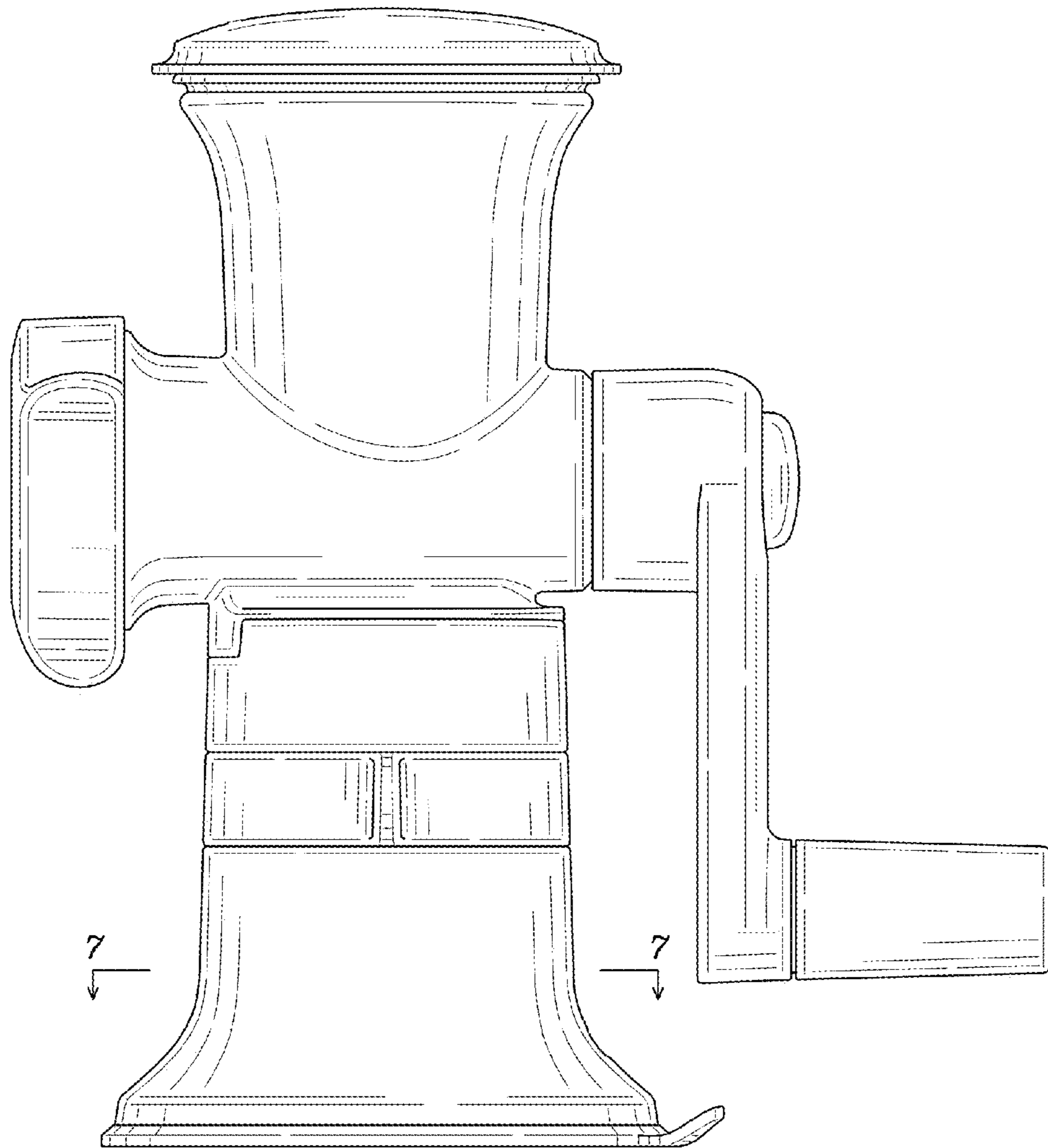


FIG. 6

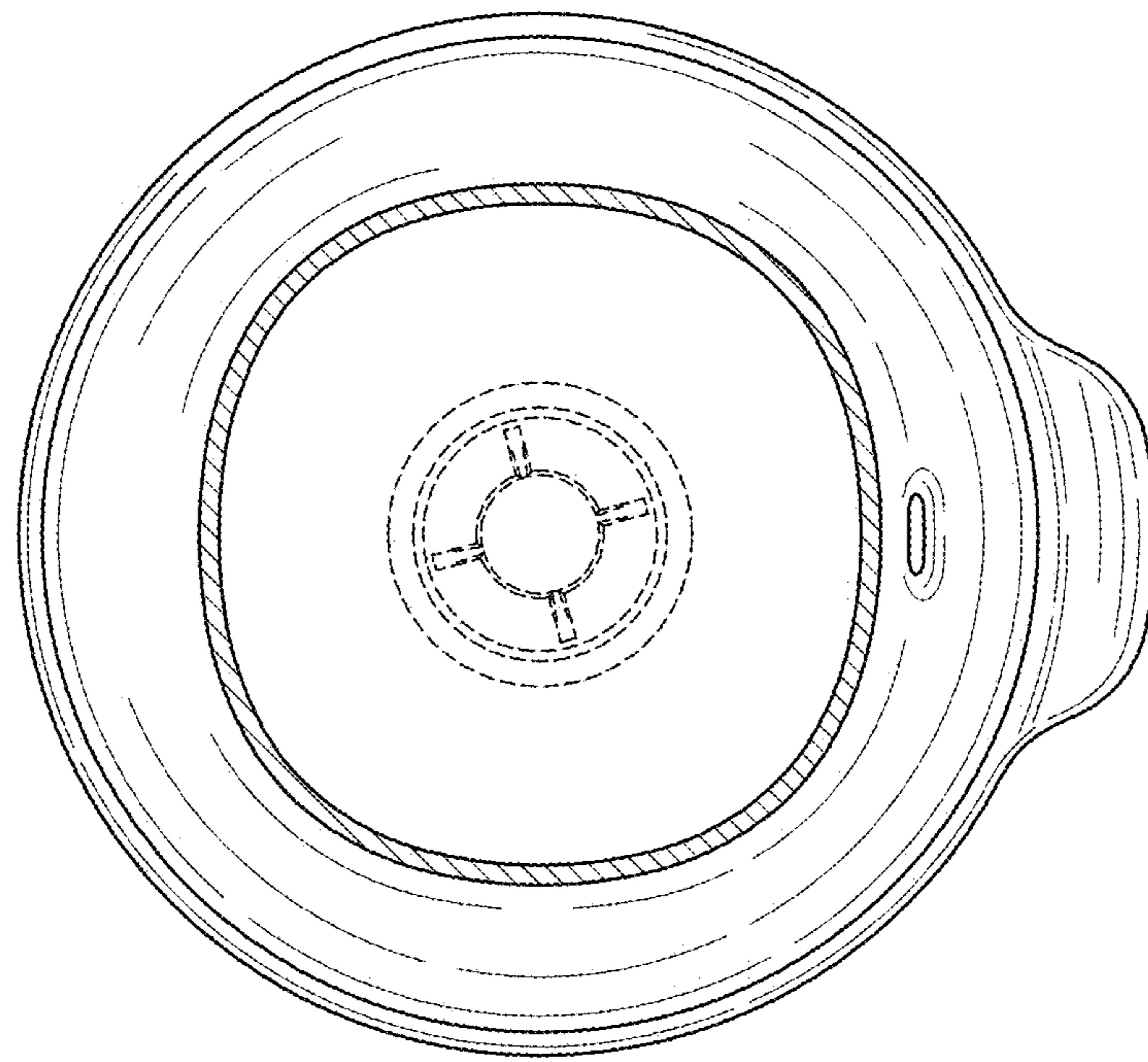


FIG. 7