



US00D715093S

(12) **United States Design Patent**  
**Ren**

(10) **Patent No.:** **US D715,093 S**  
(45) **Date of Patent:** **\*\* Oct. 14, 2014**

- (54) **DETACHABLE FOOD GRIDDLE**
- (71) Applicant: **Haiyan Xinhua Electric Appliance Co., Ltd.**, Zhejiang (CN)
- (72) Inventor: **Jianxin Ren**, Haiyan (CN)
- (73) Assignee: **Haiyan Xinhua Electric Appliance Co., Ltd.**, Haiyan (CN)
- (\*\*) Term: **14 Years**

|              |         |                  |        |
|--------------|---------|------------------|--------|
| D427,480 S   | 7/2000  | Brady            |        |
| 6,170,389 B1 | 1/2001  | Brady            |        |
| D455,041 S   | 4/2002  | Smith            |        |
| D467,766 S * | 12/2002 | Wanat et al.     | D7/352 |
| 6,526,873 B2 | 3/2003  | Brady            |        |
| D488,951 S * | 4/2004  | Josancy          | D7/356 |
| D509,989 S * | 9/2005  | Steinberg et al. | D7/352 |
| D522,306 S * | 6/2006  | Wilgus et al.    | D7/337 |
| D543,410 S * | 5/2007  | Cohen et al.     | D7/352 |
| D602,732 S * | 10/2009 | Busse et al.     | D7/352 |
| D657,990 S   | 4/2012  | Kim et al.       |        |
| D677,513 S * | 3/2013  | Blacken          | D7/352 |
| D688,513 S * | 8/2013  | Garman           | D7/352 |

- (21) Appl. No.: **29/472,740**
- (22) Filed: **Nov. 15, 2013**
- (51) **LOC (10) Cl.** ..... **07-02**
- (52) **U.S. Cl.**  
USPC ..... **D7/364; D7/352; D7/362**
- (58) **Field of Classification Search**  
CPC ..... A21B 5/023; A47J 27/60; A47J 27/62;  
A47J 37/04; A47J 37/06; A47J 37/067;  
A47J 37/0605; A47J 37/0611; A47J 37/0623;  
A47J 37/0629; A47J 37/0676; F24C 15/10;  
F24C 15/102; H05B 6/02; H05B 6/062  
USPC ..... D7/323, 328-330, 337, 352-364,  
D7/409-411; 99/324-326, 331, 339, 349,  
99/357, 372-379, 444-446; 219/386,  
219/450.1, 472, 524-525, 620-622,  
219/732-734  
See application file for complete search history.

\* cited by examiner

Primary Examiner — Ricky Pham

(74) Attorney, Agent, or Firm — Dergosits & Noah LLP

(57) **CLAIM**

The ornamental design for a detachable food griddle, as shown and described.

**DESCRIPTION**

FIG. 1 is a front perspective view of a detachable food griddle. FIG. 2 is a rear perspective view of a detachable food griddle. FIG. 3 is a front plan view of a detachable food griddle in which portions shown in broken lines form no part of the claimed design.

FIG. 4 is a rear plan view of a detachable food griddle in which portions shown in broken lines form no part of the claimed design.

FIG. 5 is a right side plan view of a detachable food griddle in which portions shown in broken lines form no part of the claimed design.

FIG. 6 is a left side view of a detachable food griddle in which portions shown in broken lines form no part of the claimed design; and,

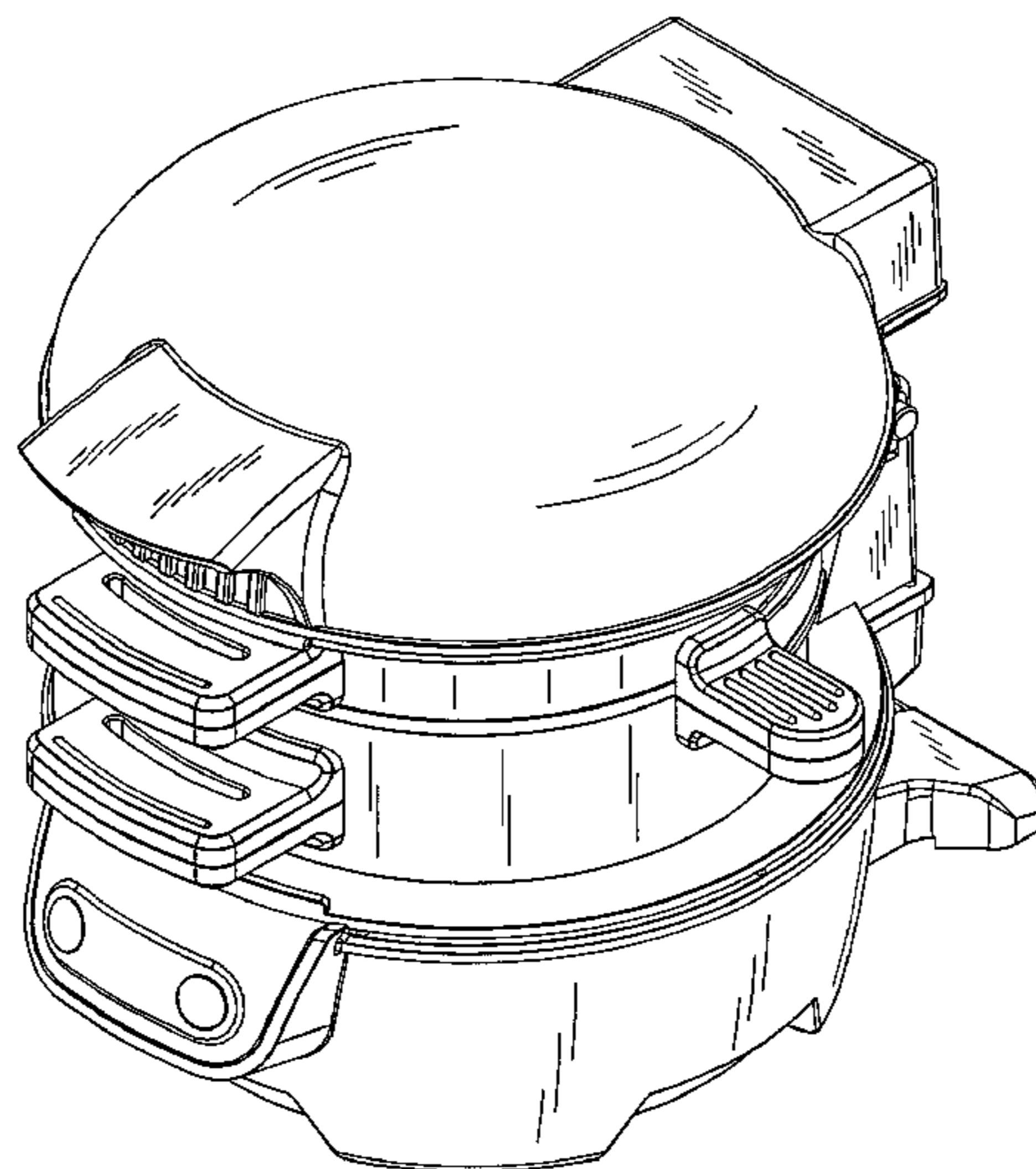
FIG. 7 is a top plan view of a detachable food griddle.

(56) **References Cited**

**U.S. PATENT DOCUMENTS**

|              |        |                |        |
|--------------|--------|----------------|--------|
| D297,100 S * | 8/1988 | Schaller       | D7/356 |
| D309,844 S * | 8/1990 | Storsberg      | D7/352 |
| D404,244 S * | 1/1999 | Josancy        | D7/354 |
| D411,937 S * | 7/1999 | Siegler et al. | D7/352 |
| D419,823 S * | 2/2000 | Choi           | D7/352 |
| 6,062,130 A  | 5/2000 | Brady          |        |

**1 Claim, 7 Drawing Sheets**



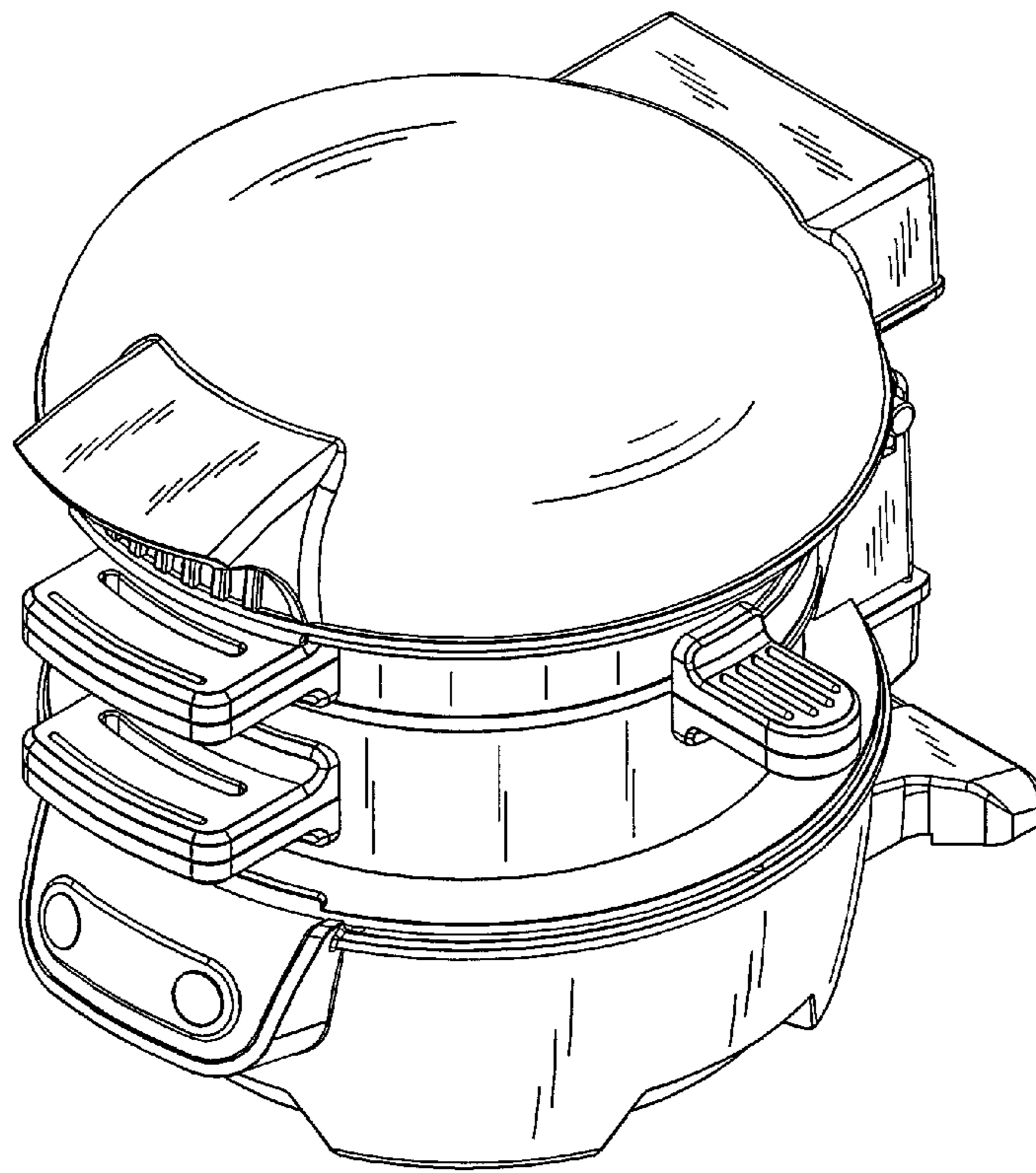


FIG. 1

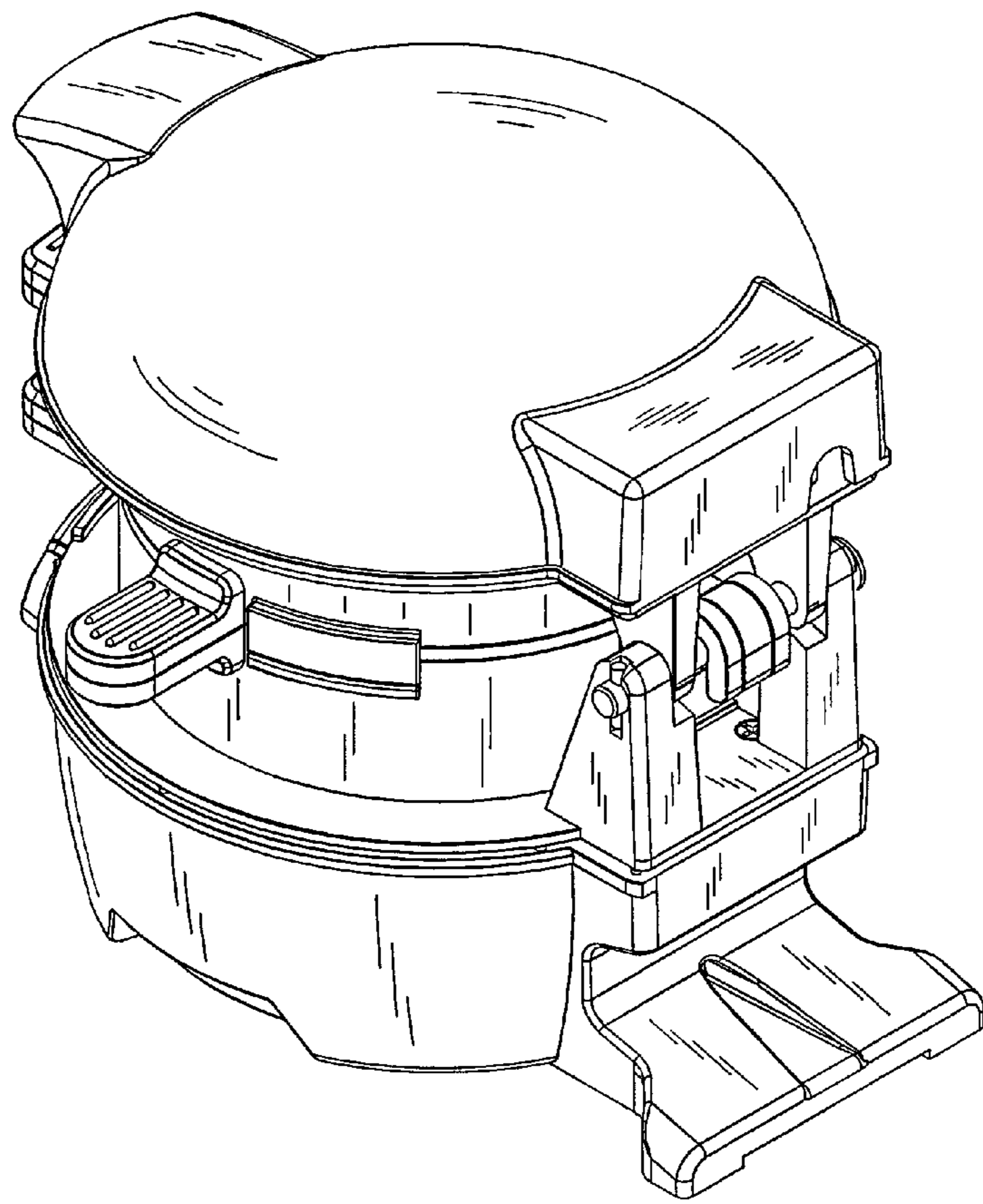


FIG. 2

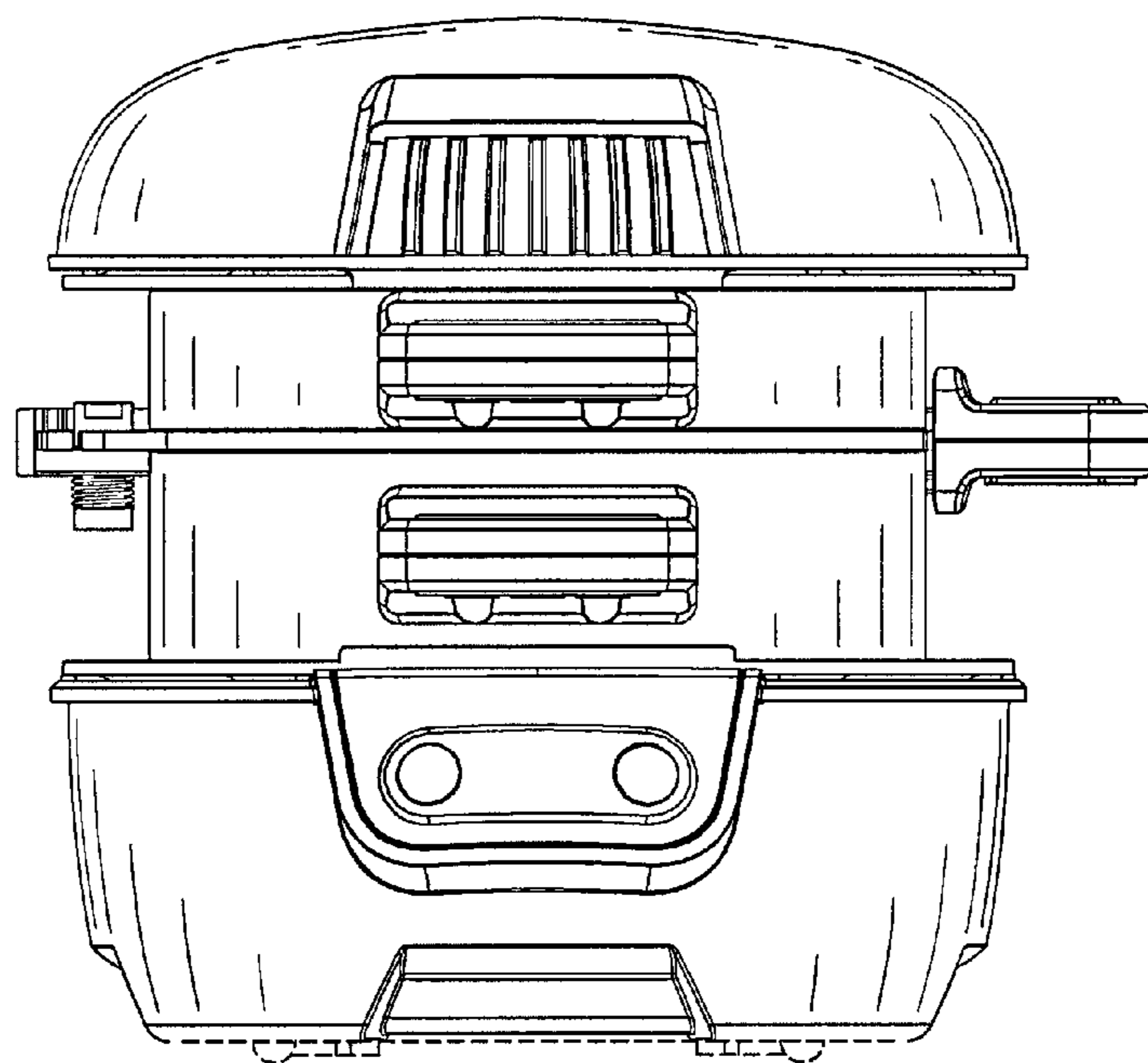


FIG. 3

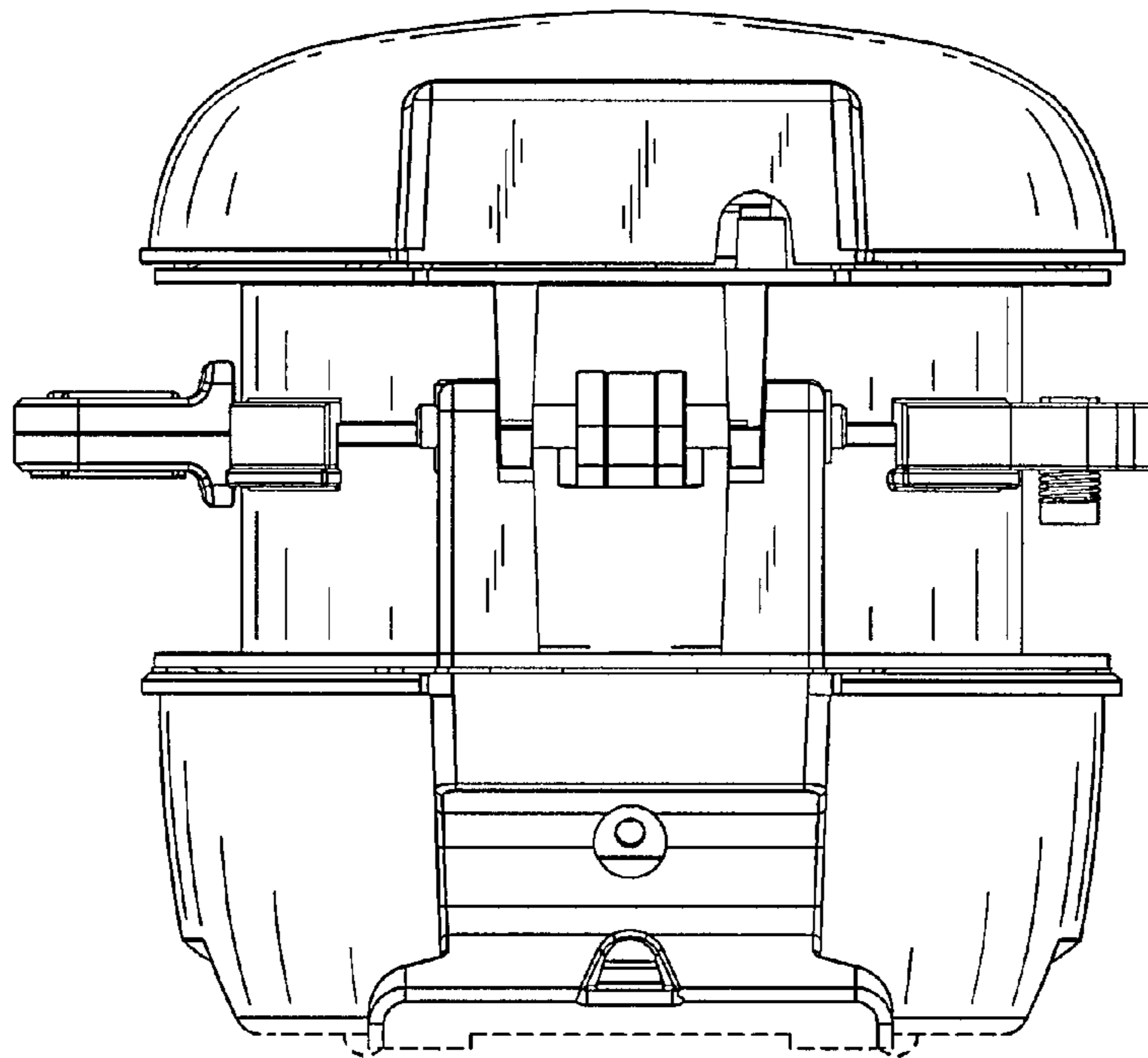


FIG. 4

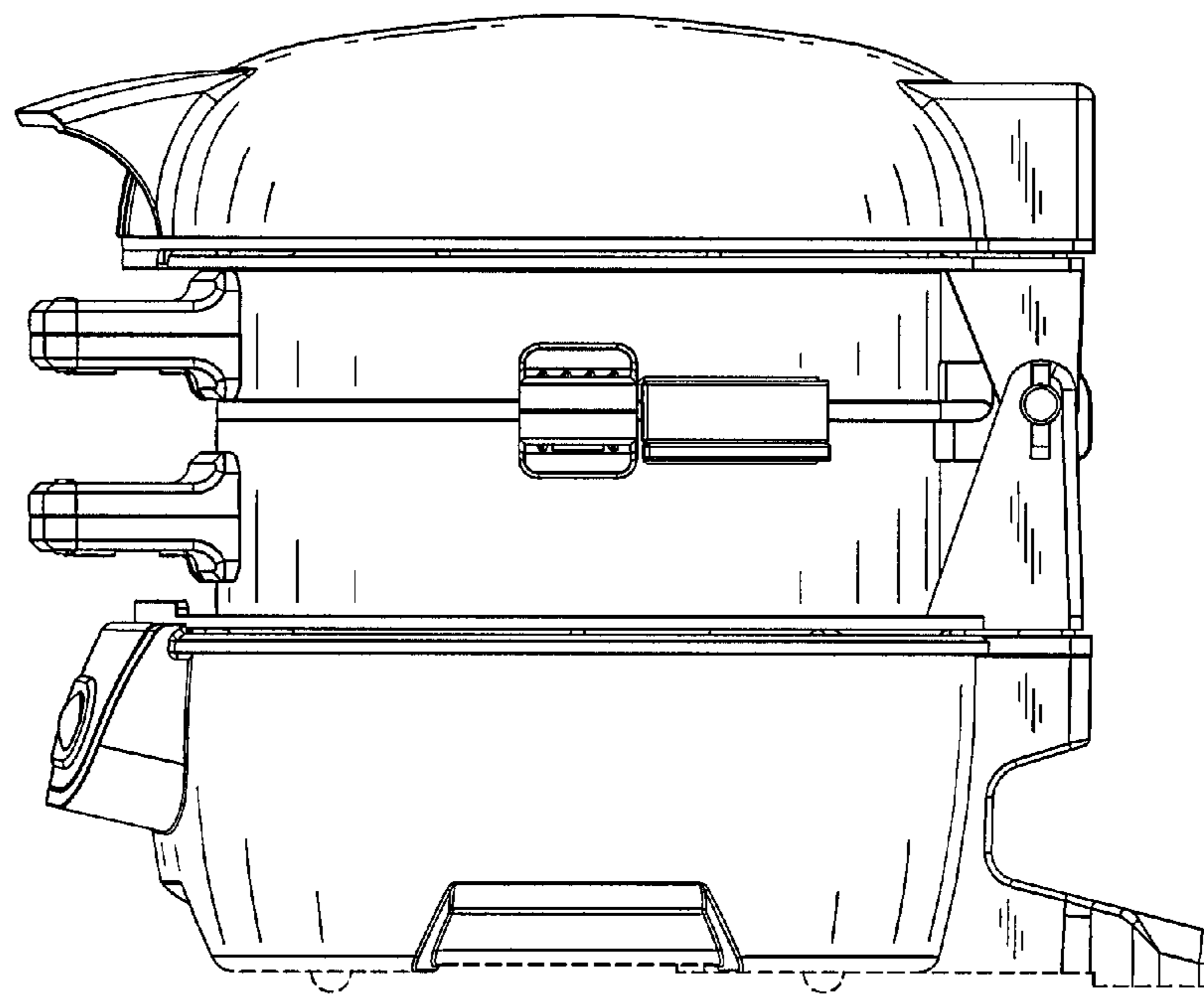


FIG. 5

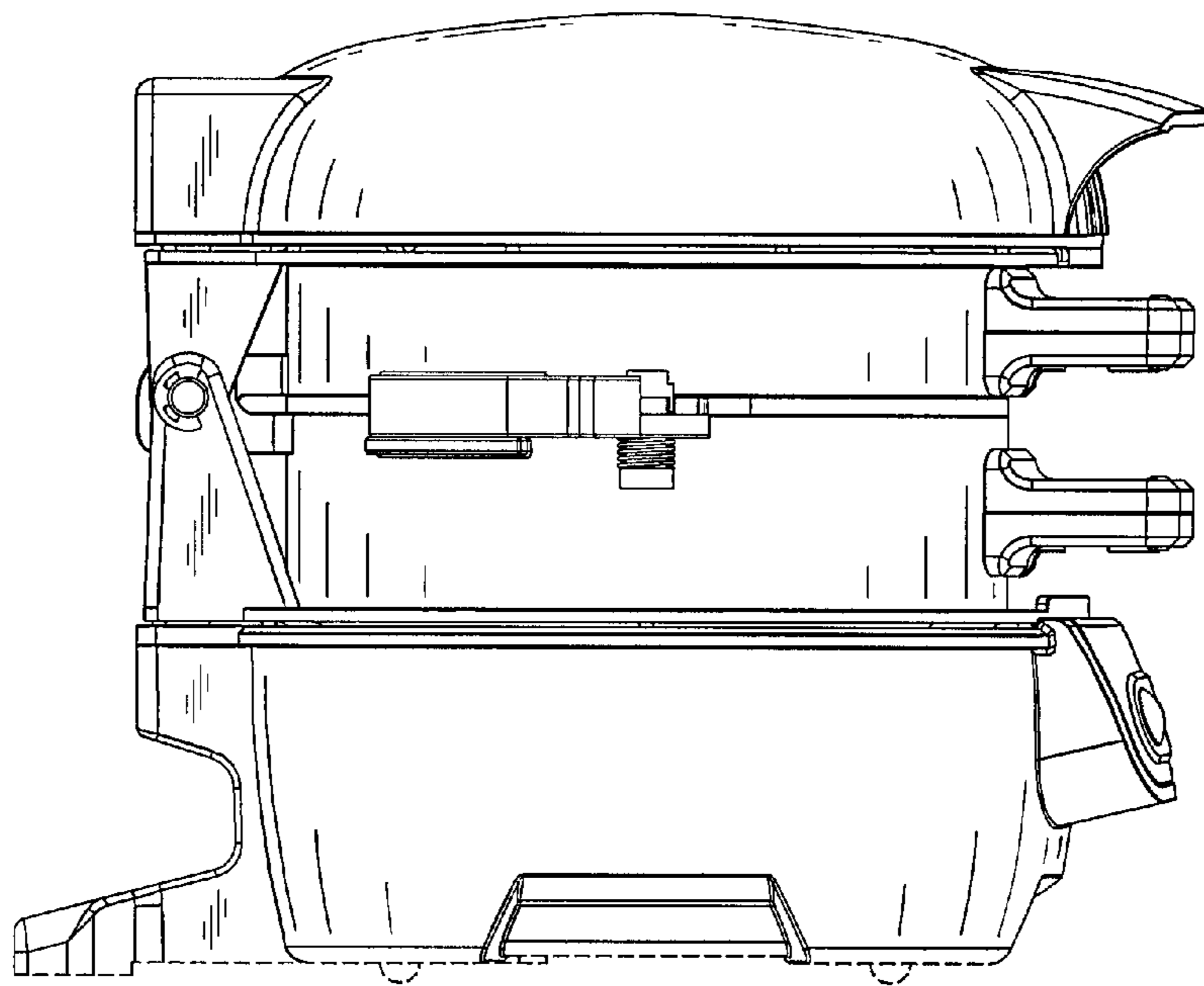


FIG. 6

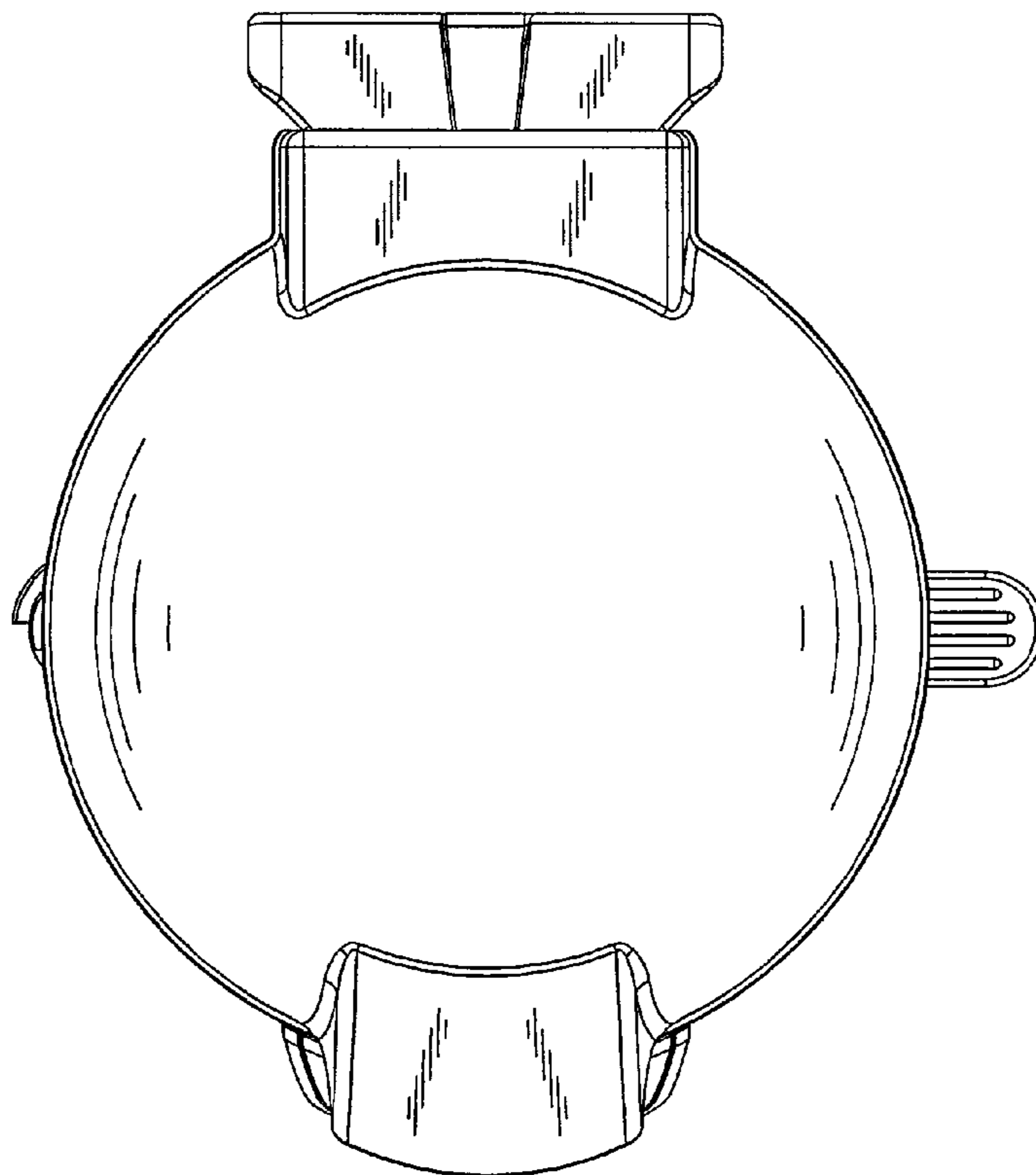


FIG. 7