



US00D715090S

(12) **United States Design Patent**
Lin

(10) **Patent No.:** **US D715,090 S**

(45) **Date of Patent:** **** Oct. 14, 2014**

(54) **RICE COOKER**

(56) **References Cited**

(71) Applicant: **Electrolux Appliances Aktiebolag,**
Stockholm (SE)

U.S. PATENT DOCUMENTS

(72) Inventor: **Yi Hsuan Lin,** Stockholm (SE)

D374,588 S *	10/1996	Federico	D7/354
D414,072 S *	9/1999	Powell	D7/354
D423,277 S *	4/2000	Josancy	D7/354
D432,348 S *	10/2000	Shaw	D7/354
D452,412 S *	12/2001	Jeong	D7/354
D464,526 S *	10/2002	Brown	D7/354
D475,570 S *	6/2003	Josancy	D7/354
D489,935 S *	5/2004	Choi	D7/354
D604,092 S *	11/2009	Kotani	D7/354
D606,800 S *	12/2009	Bodum	D7/354
D632,128 S *	2/2011	Lam	D7/354
D680,801 S *	4/2013	Seymour	D7/354
D698,593 S *	2/2014	Ishikawa	D7/354

(73) Assignee: **Electrolux Appliances Aktiebolag** (SE)

(**) Term: **14 Years**

(21) Appl. No.: **29/479,616**

(22) Filed: **Jan. 17, 2014**

* cited by examiner

(30) **Foreign Application Priority Data**

Jul. 17, 2013 (CN) 2013 3 0335472

Primary Examiner — Ricky Pham

(51) **LOC (10) Cl.** **07-02**

(74) *Attorney, Agent, or Firm* — Banner & Witcoff, Ltd.

(52) **U.S. Cl.**
USPC **D7/354**

(57) **CLAIM**

The ornamental design for a rice cooker, as shown and described.

(58) **Field of Classification Search**

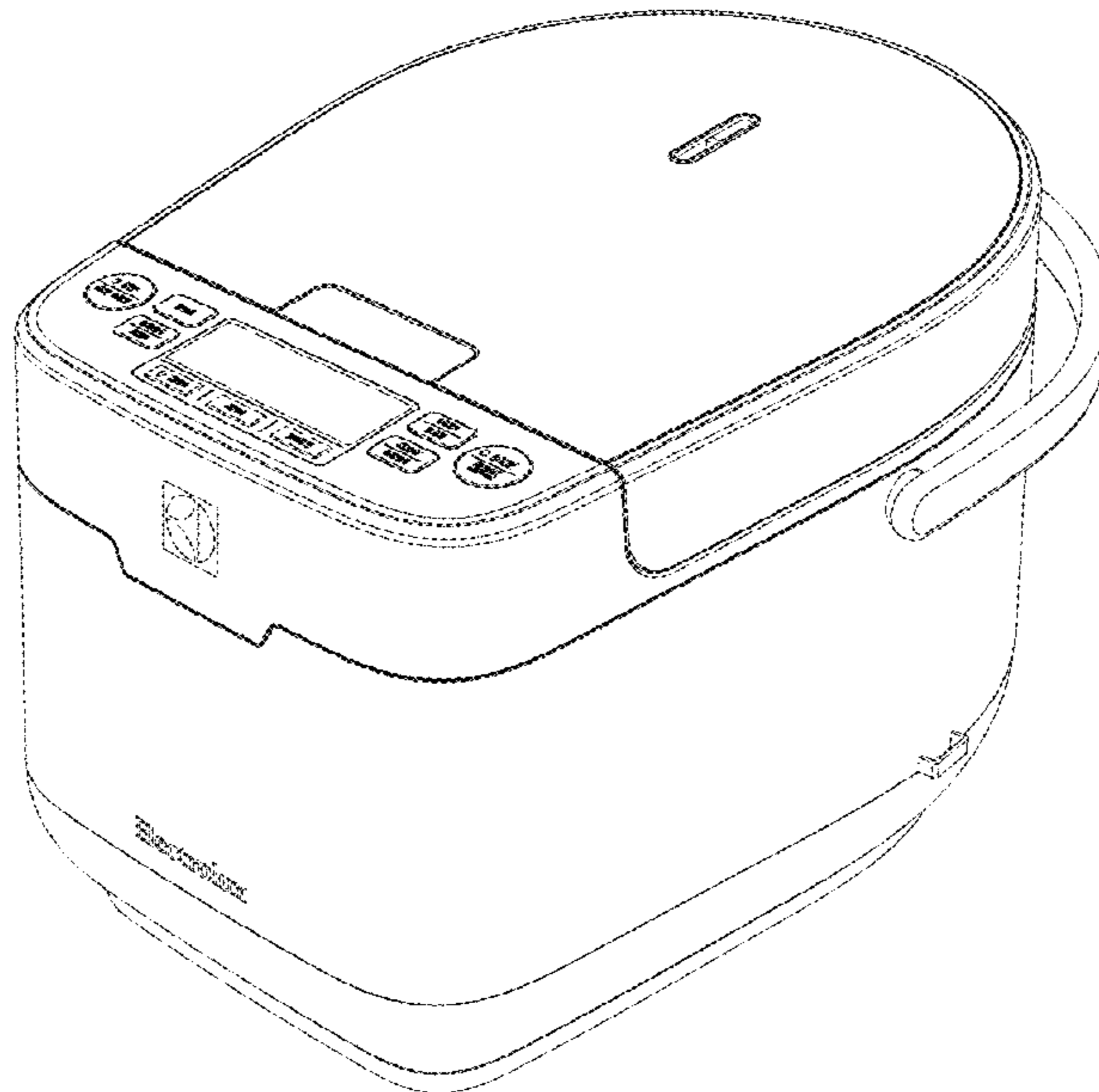
DESCRIPTION

CPC A47J 27/00; A47J 27/04; A47J 27/05;
A47J 27/08; A47J 27/09; A47J 27/092;
A47J 36/025; A47J 36/06; A47J 36/08;
A47J 36/10; A47J 36/12; A47J 37/12; A47J
37/1204; A47J 37/1209; H05B 6/02; H05B
6/06; H05B 6/12
USPC D7/323, 354-361; 99/324-325,
99/330-339, 403; 126/348, 384.1, 389.1,
126/390.1; 219/401, 438, 440-441, 447.1,
219/620-622; 220/573.1-573.5, 912

FIG. 1 is a front perspective view of a rice cooker showing my new design;
FIG. 2 is a front view thereof;
FIG. 3 is a rear view thereof;
FIG. 4 is a right side view thereof;
FIG. 5 is a left side view thereof;
FIG. 6 is a top view thereof; and,
FIG. 7 is a bottom view thereof.

See application file for complete search history.

1 Claim, 7 Drawing Sheets



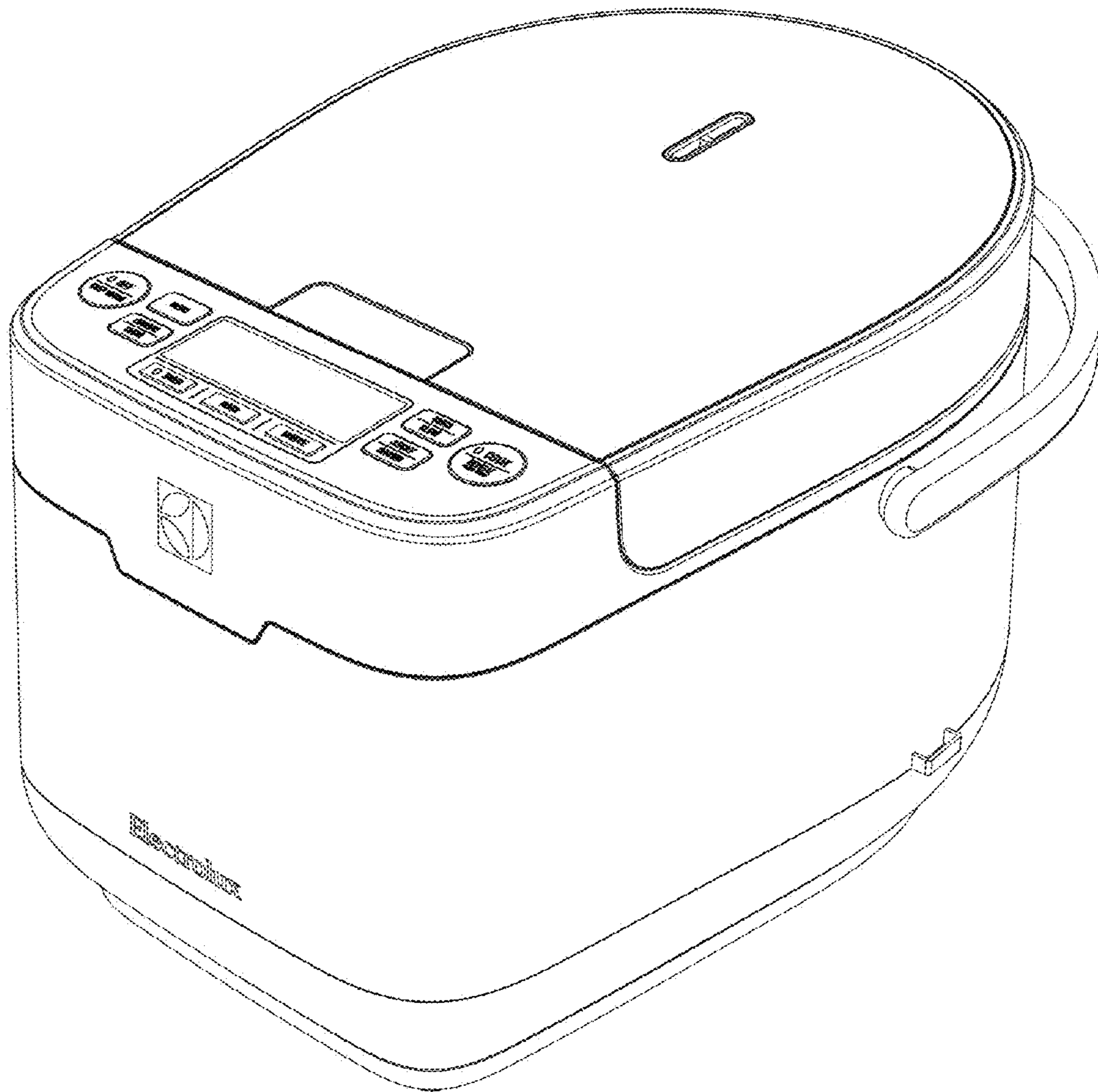


FIG. 1

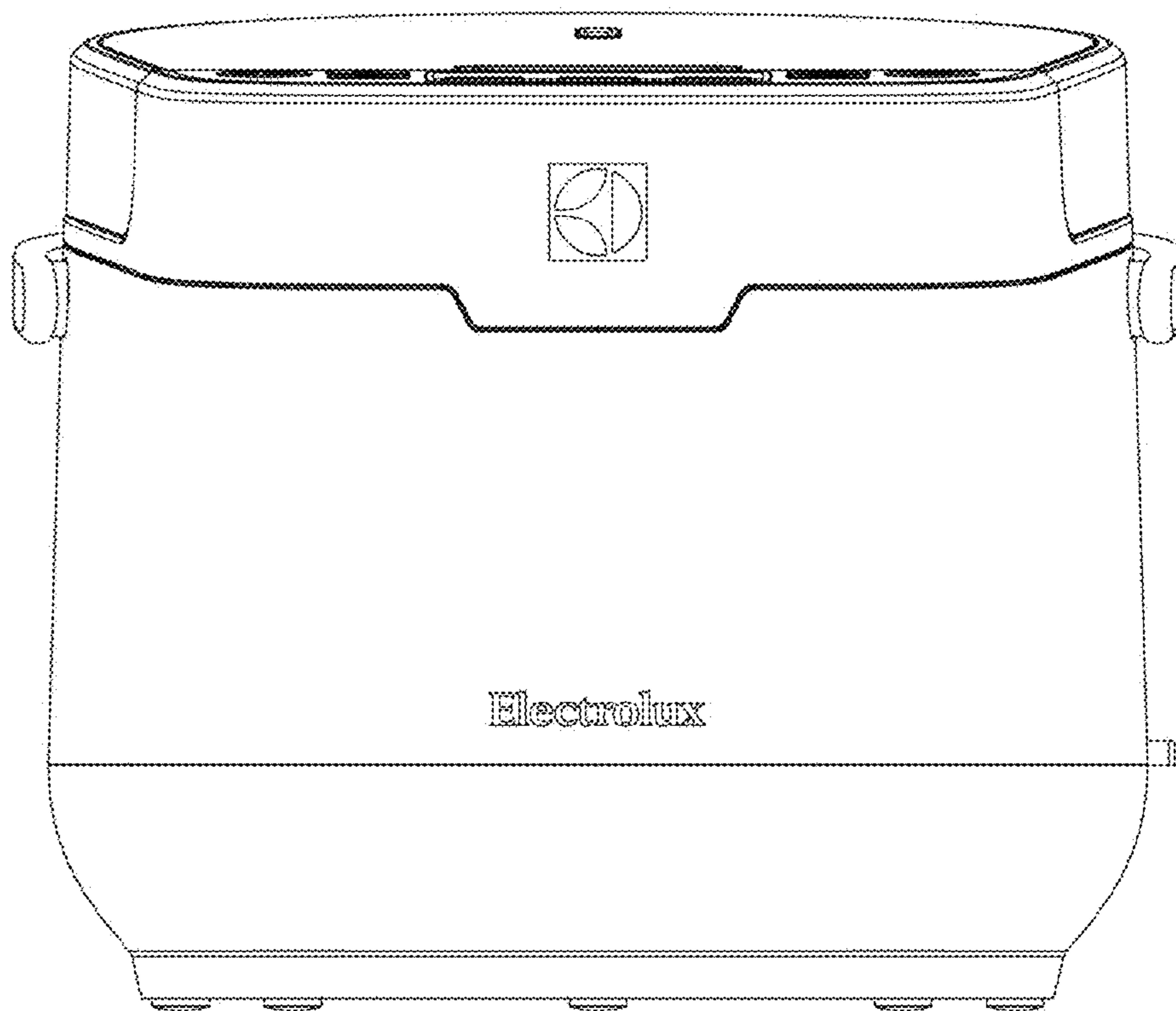


FIG. 2

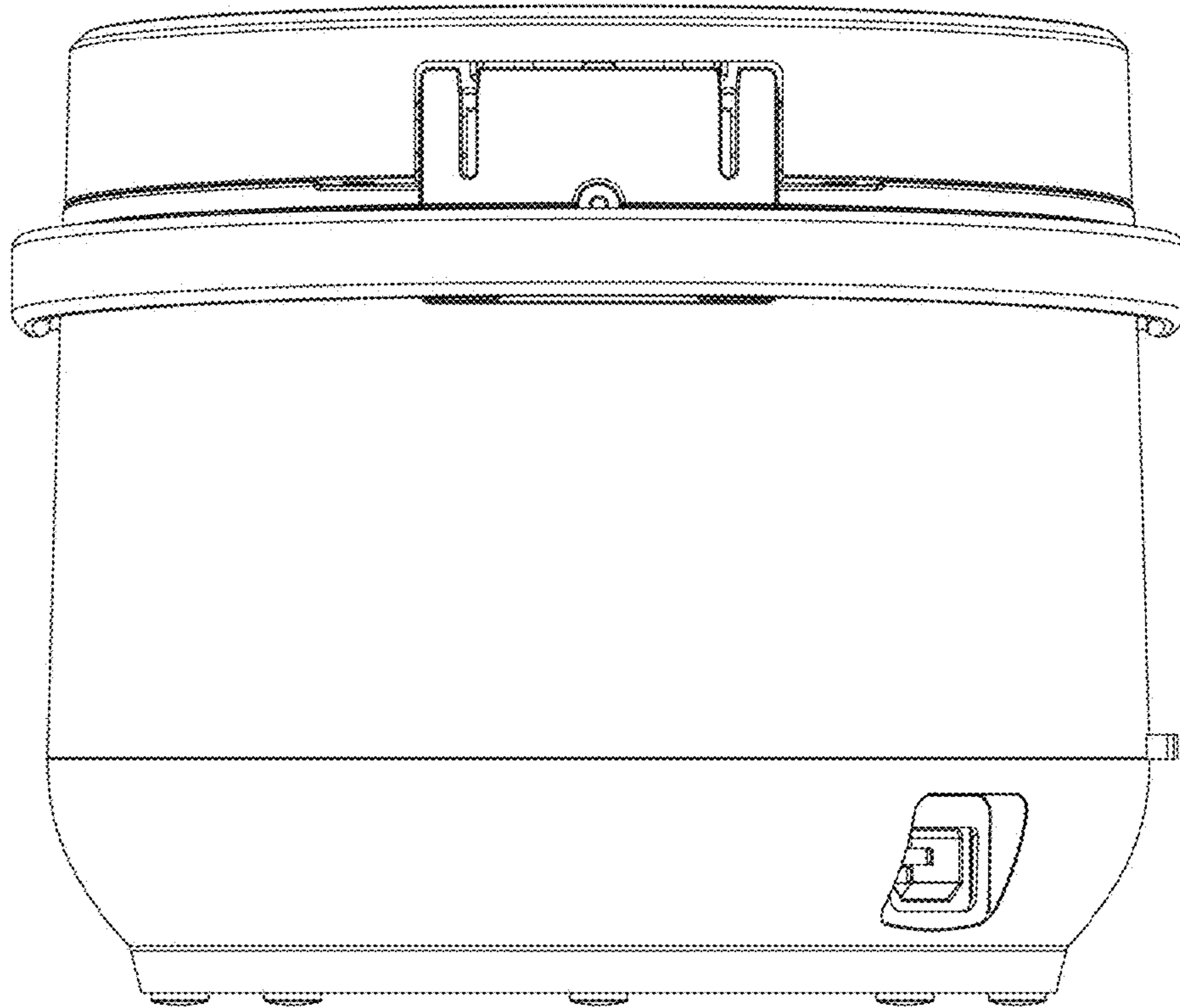


FIG. 3

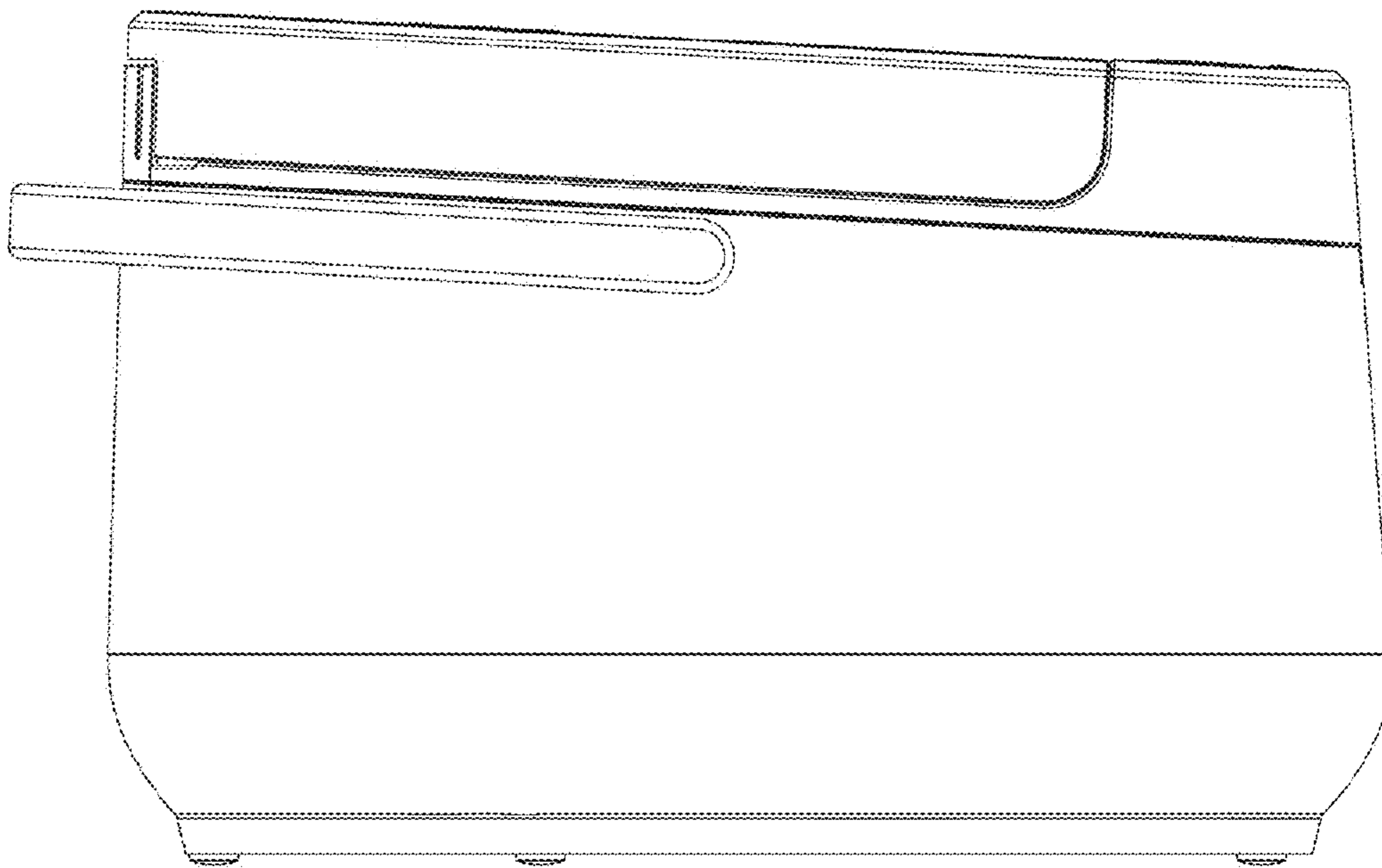


FIG. 4

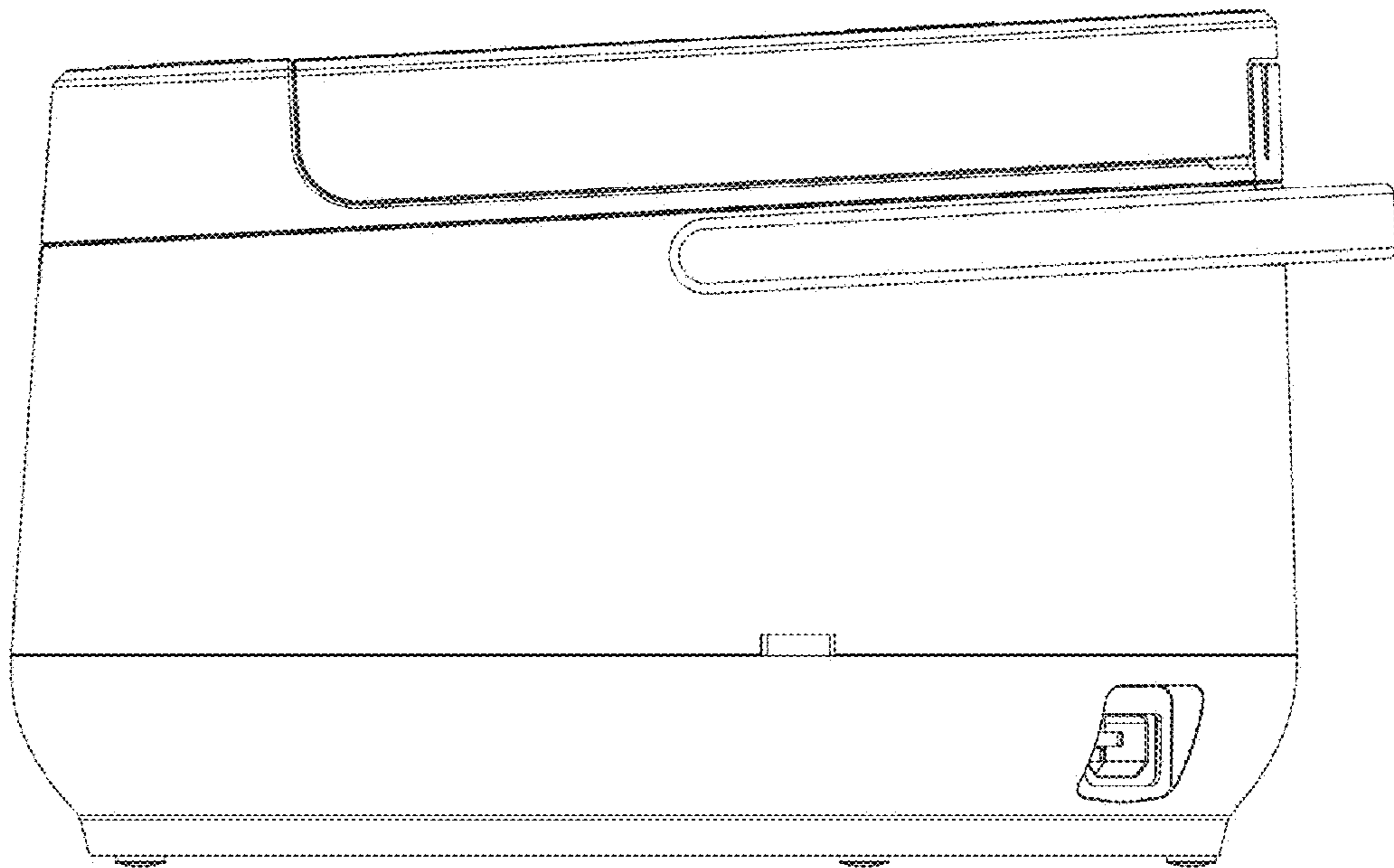


FIG. 5

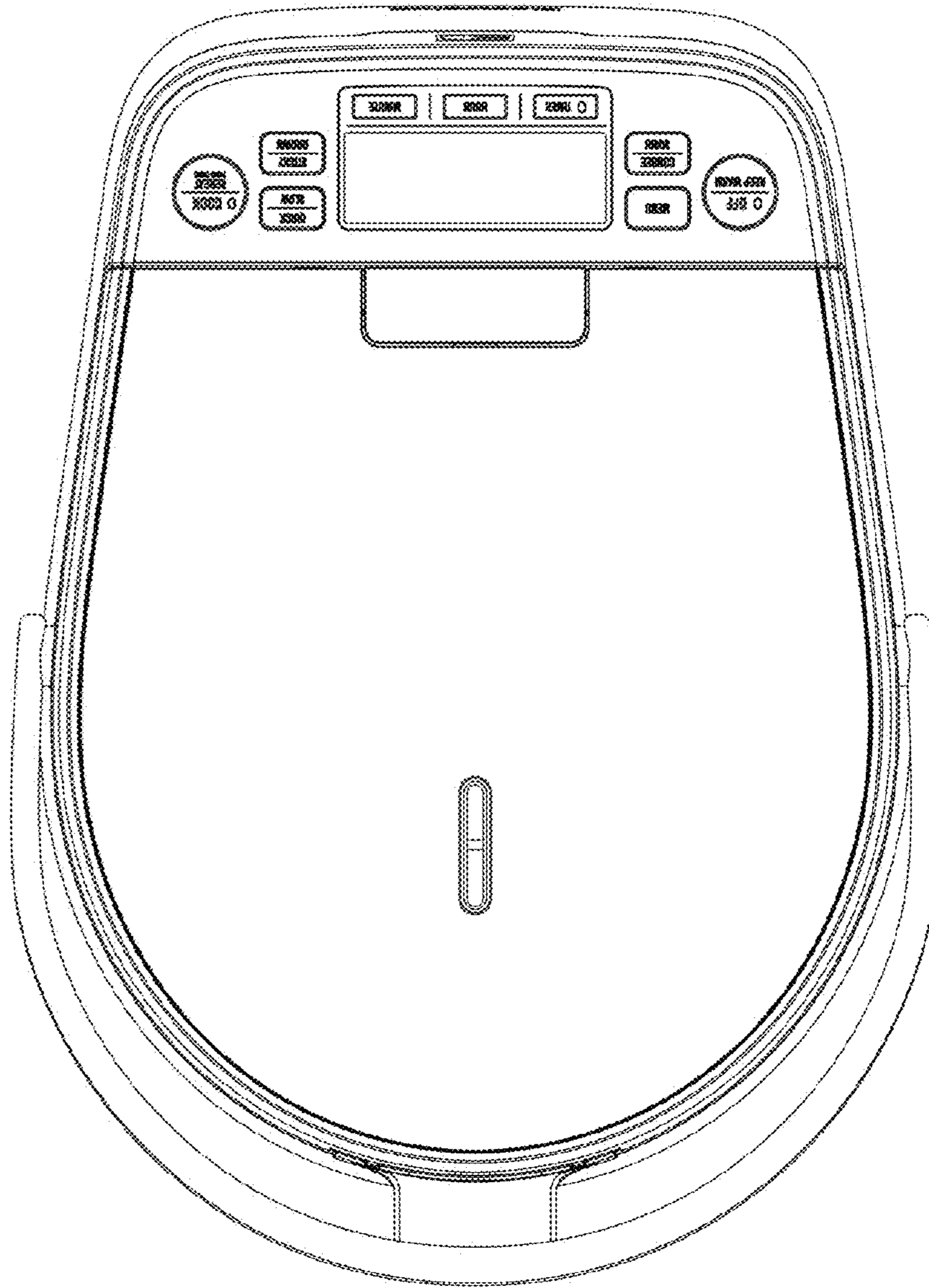


FIG. 6

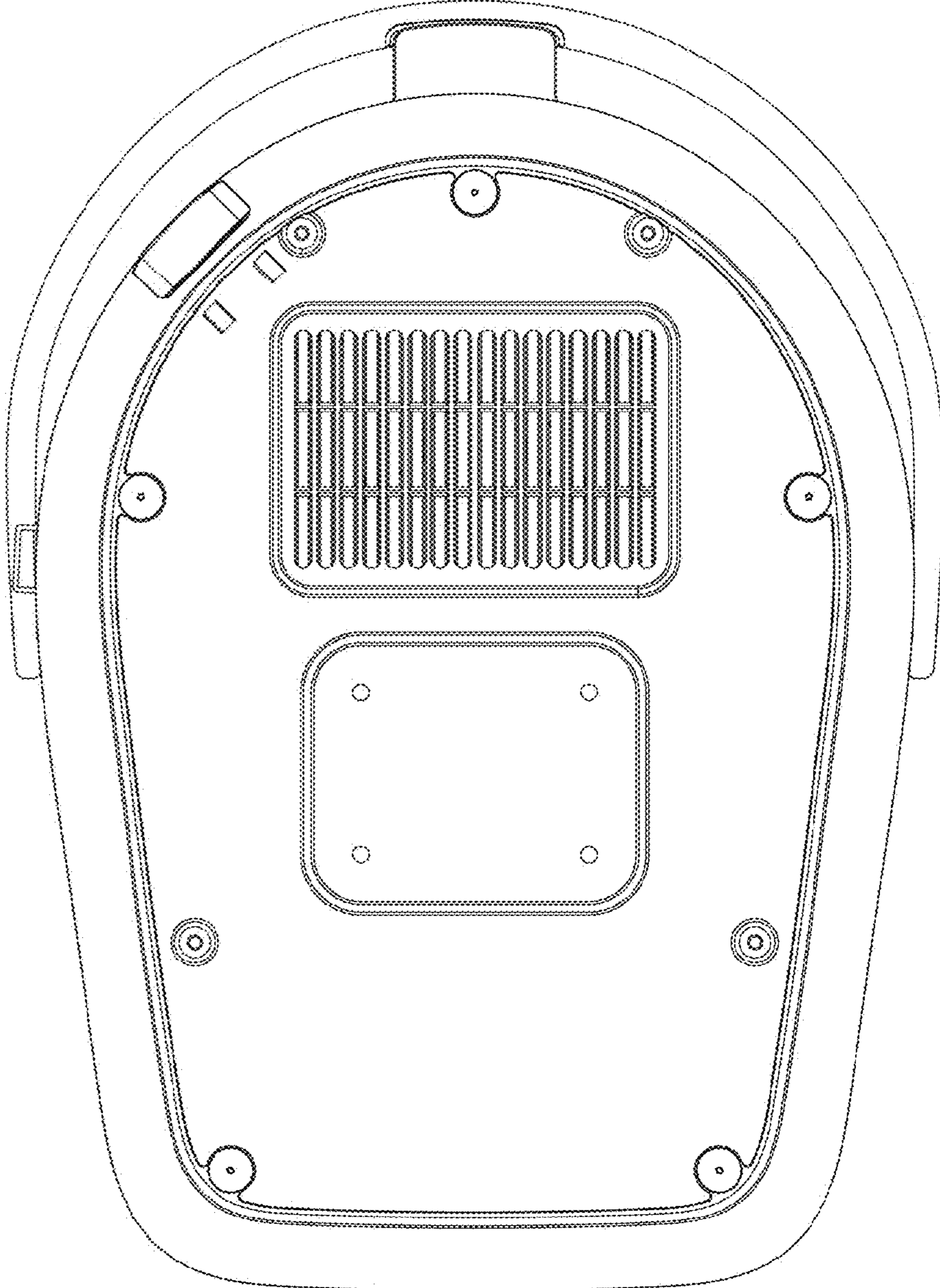


FIG. 7