



US00D715089S

(12) **United States Design Patent**
Jozancy

(10) **Patent No.:** **US D715,089 S**
(45) **Date of Patent:** **** Oct. 14, 2014**

(54) **ELECTRIC FRYER**

(71) Applicant: **SEB**, Selongey (FR)
(72) Inventor: **Luc Jozancy**, Sainte-Colombe (FR)
(73) Assignee: **SEB**, Selongey (FR)
(**) Term: **14 Years**
(21) Appl. No.: **29/477,148**
(22) Filed: **Dec. 19, 2013**

(30) **Foreign Application Priority Data**

Jun. 26, 2013 (EP) 002263319-0001

(51) **LOC (10) Cl.** **07-02**

(52) **U.S. Cl.**
USPC **D7/354**

(58) **Field of Classification Search**

CPC A23L 1/01; A23L 1/0107; A23L 1/0114;
A47J 27/00; A47J 27/08; A47J 27/09; A47J
27/092; A47J 27/14; A47J 36/025; A47J
36/06; A47J 36/08; A47J 36/10; A47J 36/12;
A47J 36/165; A47J 36/18; A47J 36/20;
A47J 36/22; A47J 37/00; A47J 37/0641;
A47J 37/12; A47J 37/1204; A47J 37/1209;
A47J 37/1214; A47J 37/1219; A47J 37/1266;
A47J 37/1285; A47J 37/129; A47J 37/1295;
G07F 17/0064; G07F 17/0078; G07F 17/0085;
H05B 6/02; H05B 6/06; H05B 6/12
USPC D7/323, 354–361; 99/324–326,
99/330–339, 348, 359, 403, 410, 411, 413,
99/467, 468, 644; 126/1 R, 21 A, 21 R,
126/384.1, 389.1, 390.1; 219/385–386,
219/438, 440–441, 447.1, 620–622;
220/573.1–573.5, 912; 426/438

See application file for complete search history.

(56) **References Cited**

U.S. PATENT DOCUMENTS

4,649,810	A *	3/1987	Wong	99/326
4,938,125	A *	7/1990	Wong	99/326
4,942,807	A *	7/1990	Wong	99/348
5,469,782	A *	11/1995	Wong	99/644
D372,832	S *	8/1996	Wong	D7/323
D418,361	S *	1/2000	Utsugi	D7/354
D622,093	S *	8/2010	Reiner	D7/354
D638,251	S *	5/2011	Josancy	D7/354
7,993,694	B2 *	8/2011	Goderiaux et al.	426/438
D655,971	S *	3/2012	Reiner	D7/354
D664,801	S *	8/2012	Reiner	D7/354
D700,471	S *	3/2014	Jozancy	D7/354
2008/0213447	A1 *	9/2008	Payen et al.	426/438

* cited by examiner

Primary Examiner — Ricky Pham

(74) *Attorney, Agent, or Firm* — Loeb & Loeb LLP

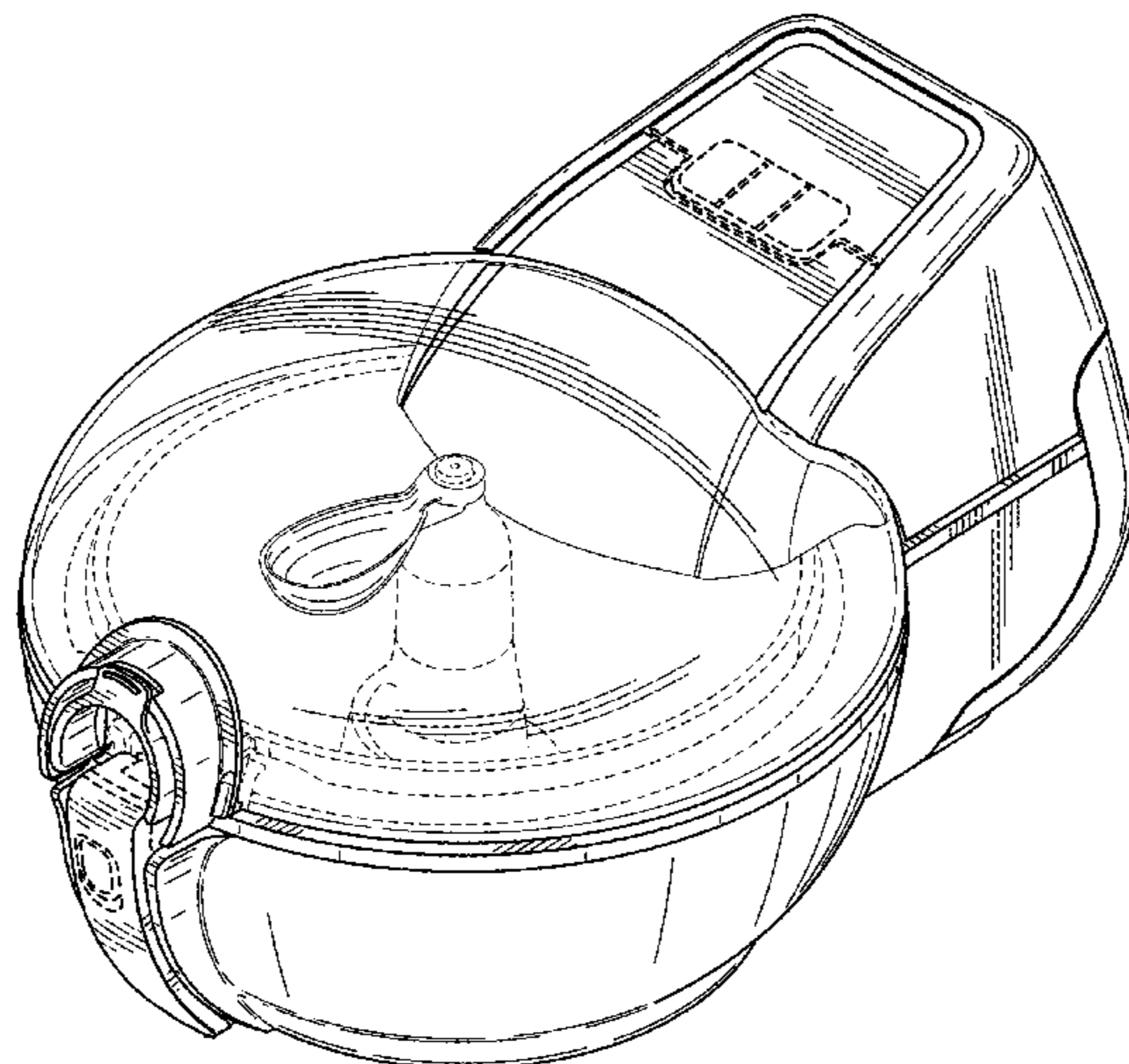
(57) **CLAIM**

The ornamental design for an electric fryer, as shown and described.

DESCRIPTION

FIG. 1 is a perspective view of an embodiment of an electric fryer showing my new design.
FIG. 2 is a left side elevational view of the electric fryer of FIG. 1.
FIG. 3 is a right side elevational view of the electric fryer of FIG. 1.
FIG. 4 is a front elevational view of the electric fryer of FIG. 1.
FIG. 5 is a rear elevational view of the electric fryer of FIG. 1.
FIG. 6 is a top plan view of the electric fryer of FIG. 1; and,
FIG. 7 is a bottom plan view of the electric fryer of FIG. 1.

1 Claim, 7 Drawing Sheets



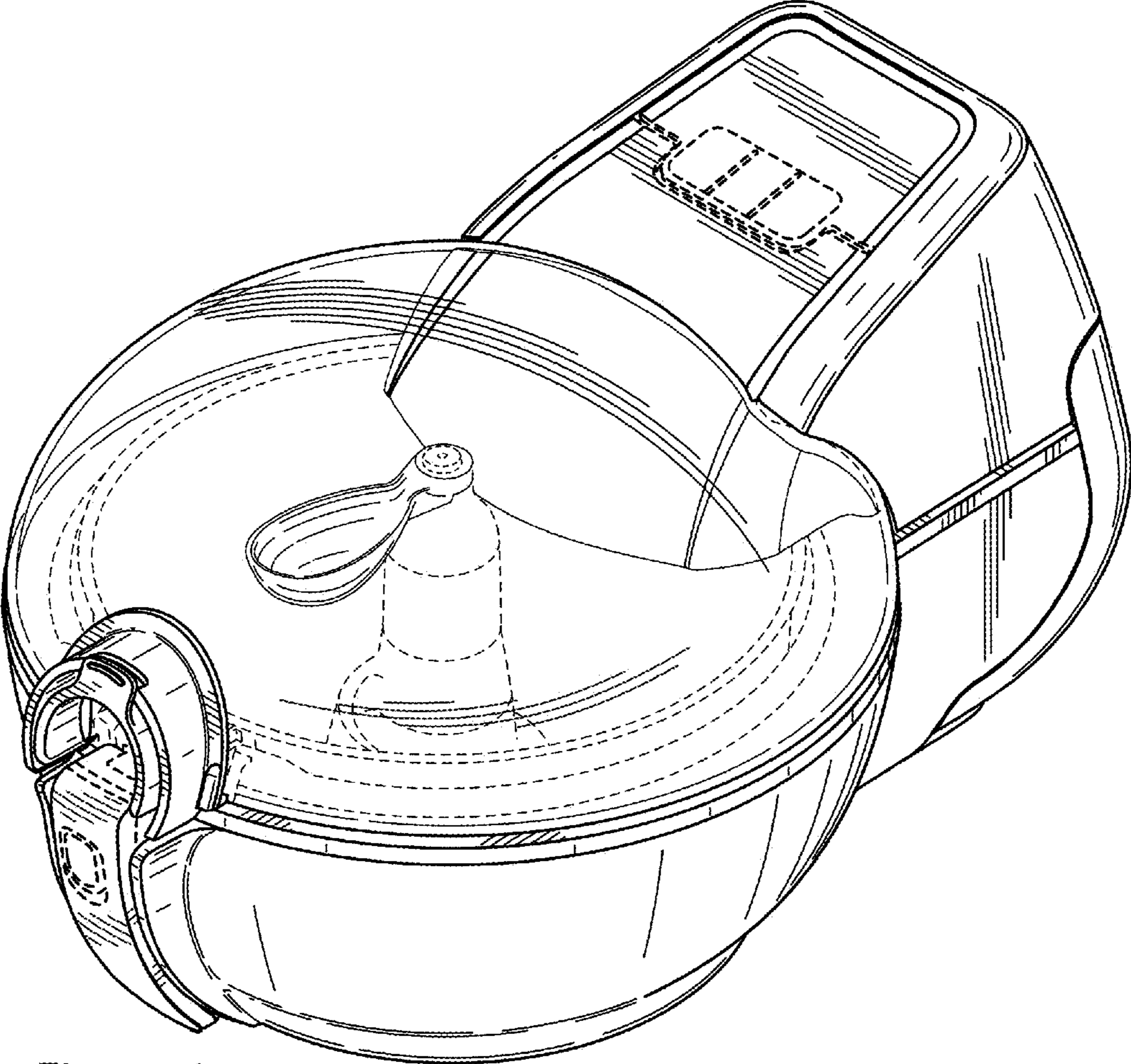


Figure 1

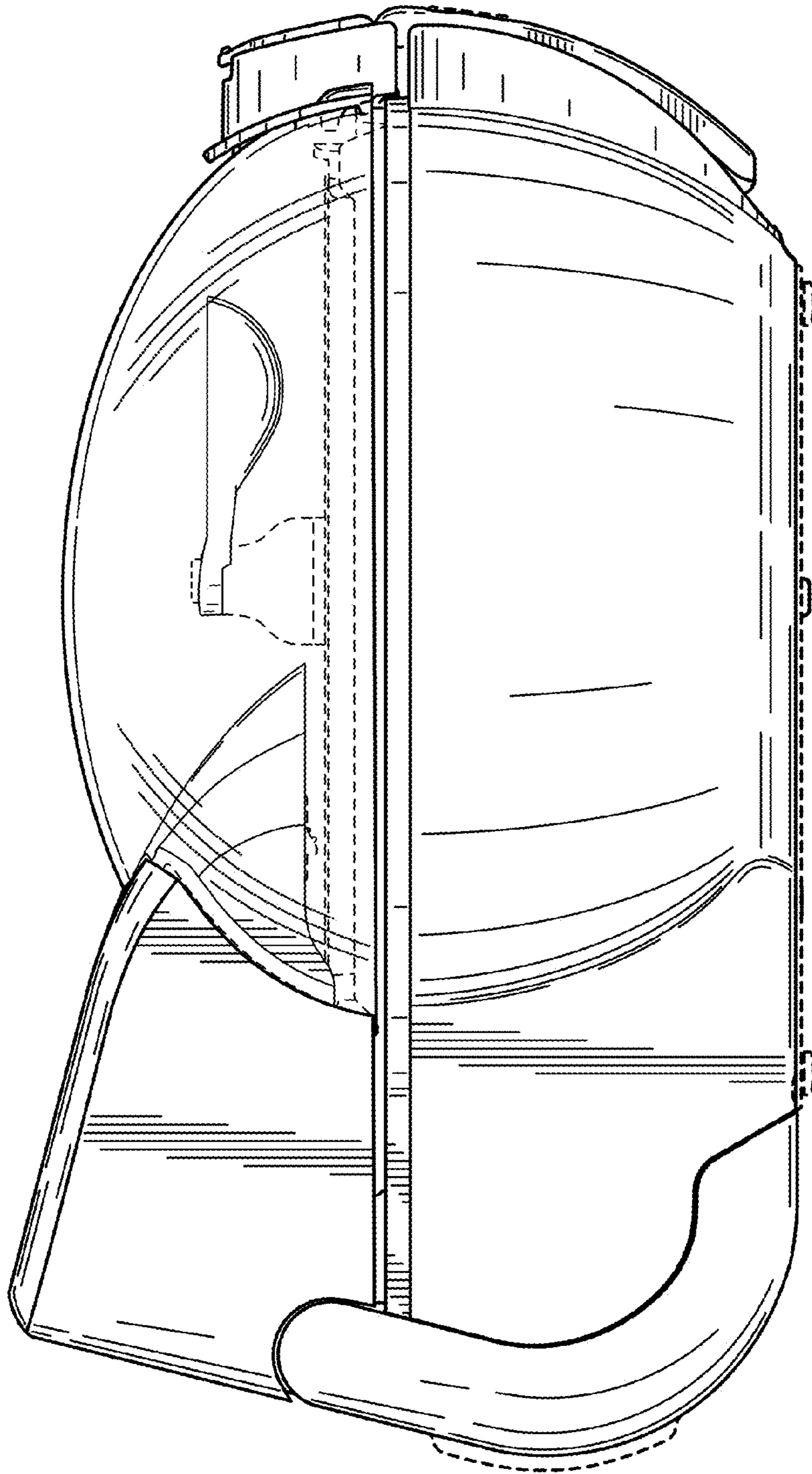


Figure 2

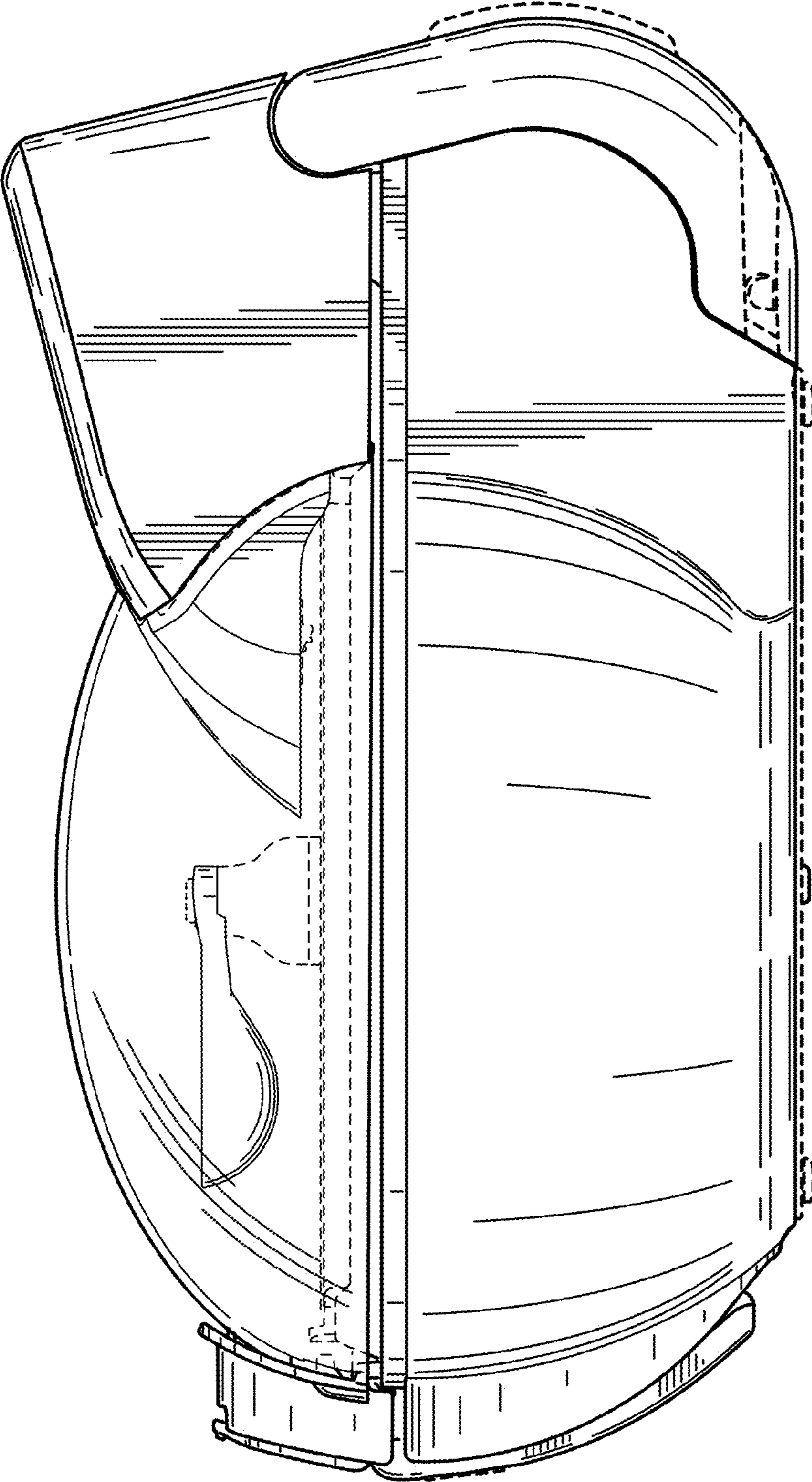


Figure 3

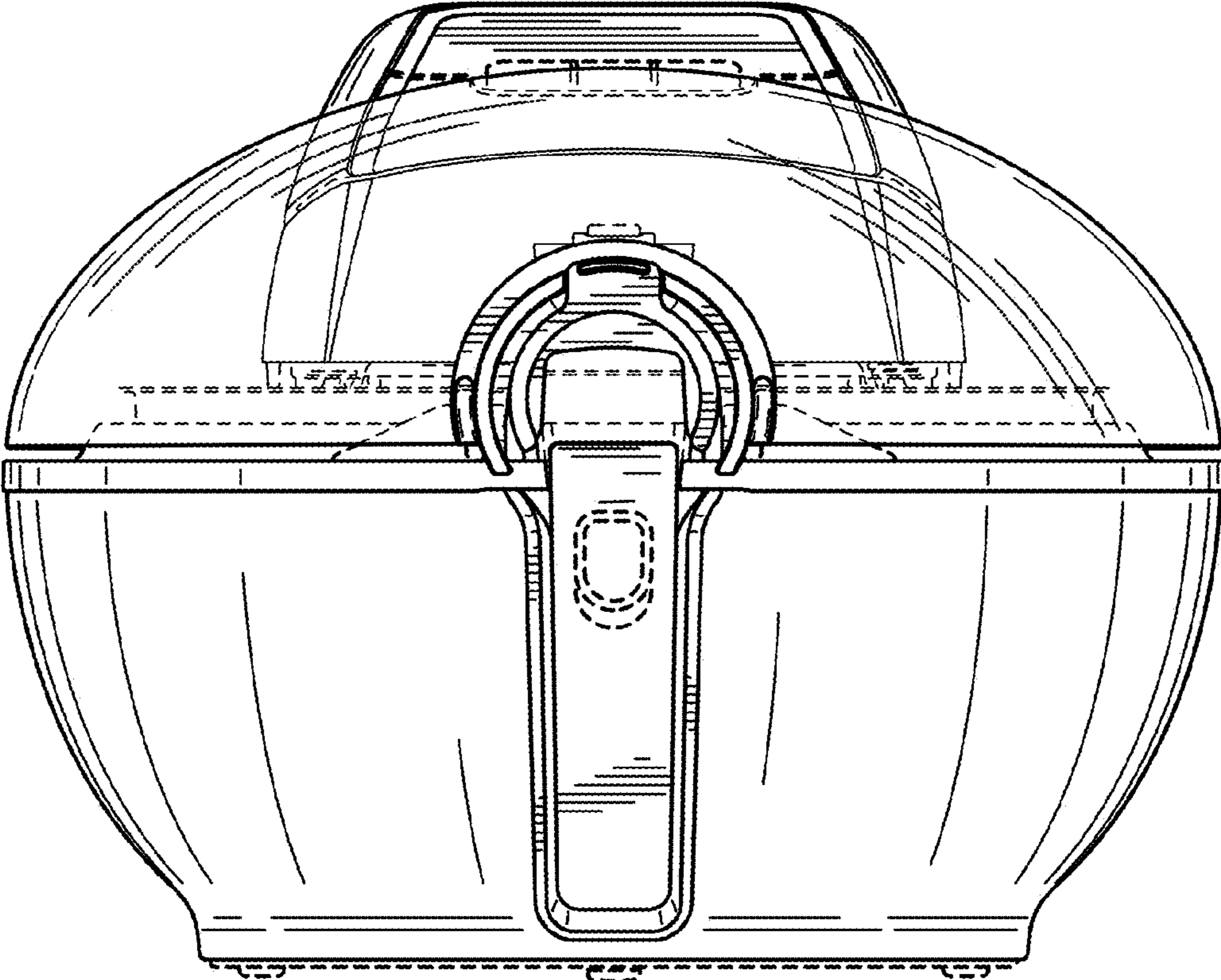


Figure 4

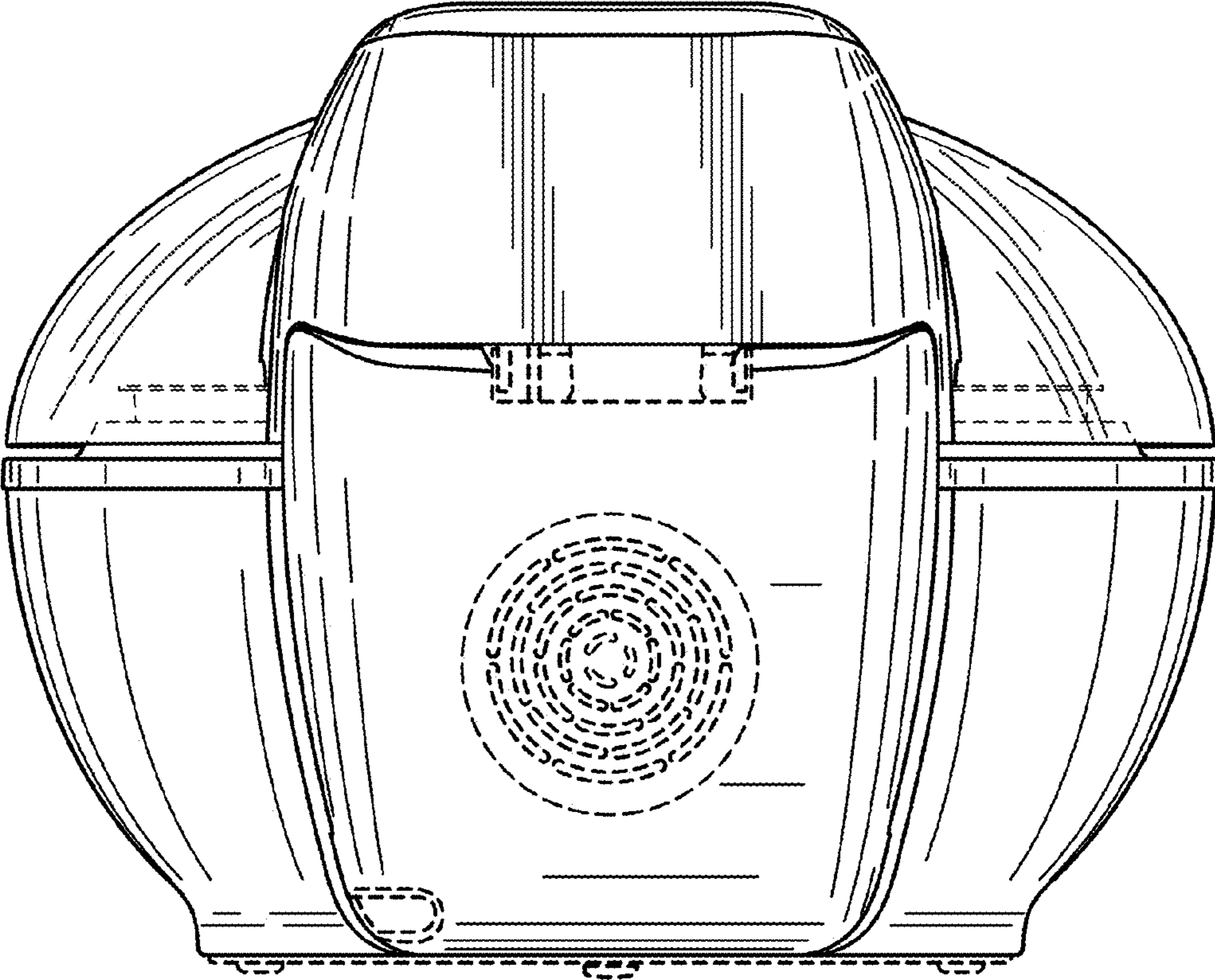


Figure 5

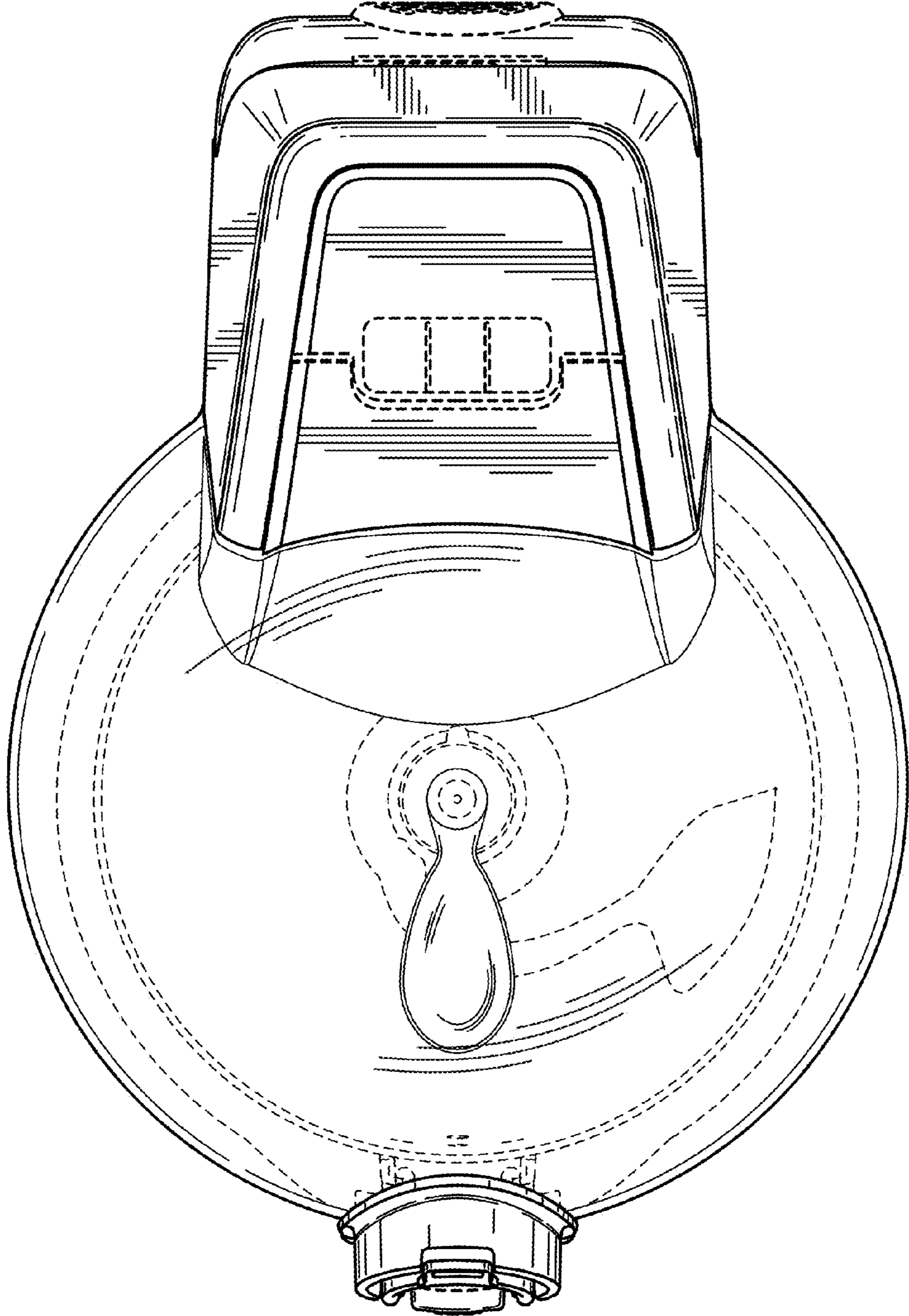


Figure 6

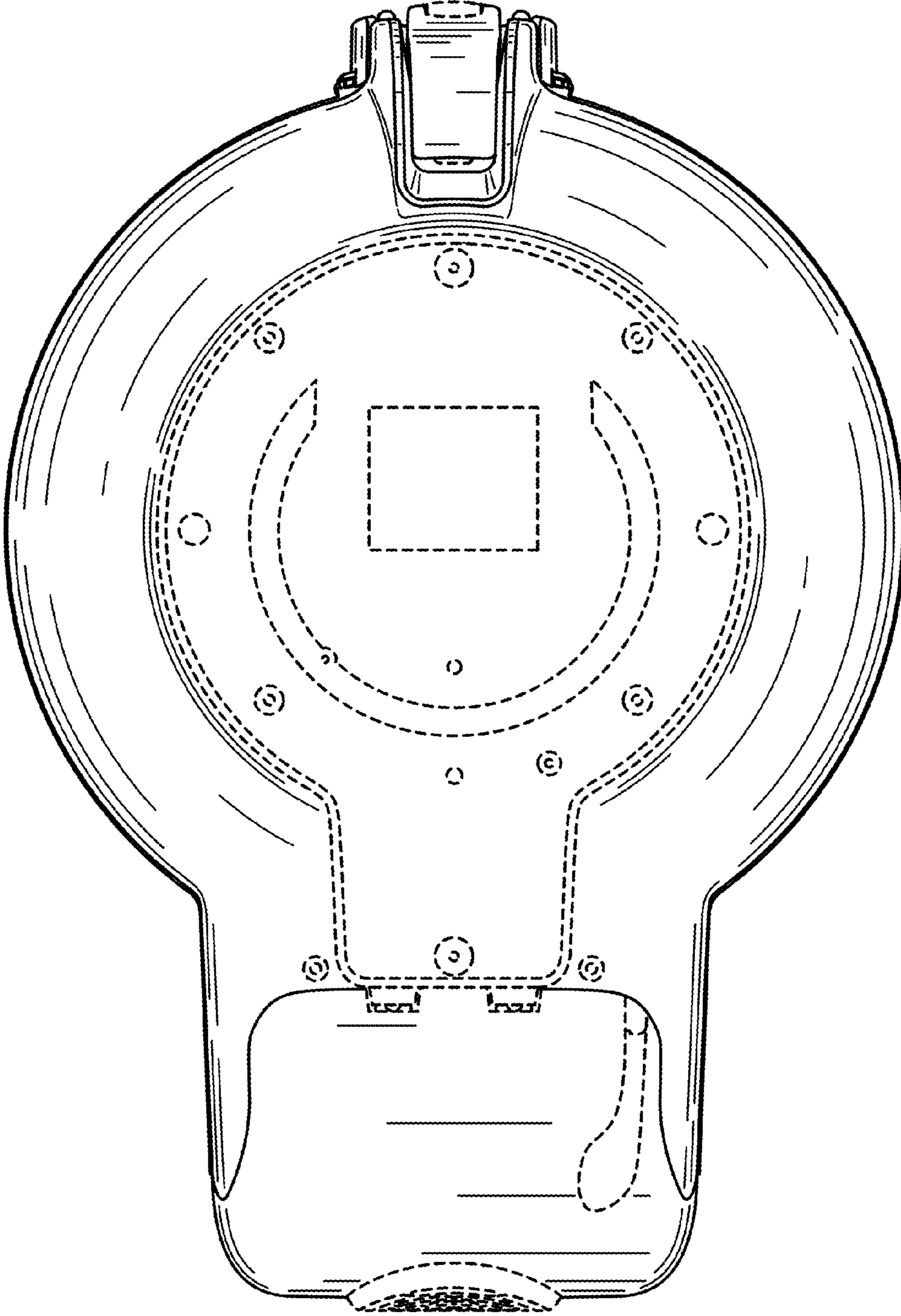


Figure 7