



US00D715088S

(12) **United States Design Patent**
Kim

(10) **Patent No.:** **US D715,088 S**
(45) **Date of Patent:** **** Oct. 14, 2014**

(54) **ELECTRIC PRESSURE RICE COOKER AND WARMER**

(71) Applicant: **Cuckoo Electronics Co., Ltd.**,
Kyungsangnam-do (KR)

(72) Inventor: **Jae Gon Kim**, Busan (KR)

(73) Assignee: **Cuckoo Electronics Co., Ltd.** (KR)

(**) Term: **14 Years**

(21) Appl. No.: **29/475,247**

(22) Filed: **Dec. 2, 2013**

(30) **Foreign Application Priority Data**

Oct. 11, 2013 (KR) 30-2013-0051471

(51) **LOC (10) Cl.** **07-02**

(52) **U.S. Cl.**
USPC **D7/354**

(58) **Field of Classification Search**

CPC A47J 27/00; A47J 27/04; A47J 27/05;
A47J 27/08; A47J 27/09; A47J 27/092;
A47J 36/025; A47J 36/06; A47J 36/08;
A47J 36/10; A47J 36/12; A47J 36/14; A47J
37/12; A47J 37/1204; A47J 37/1209; A47J
37/1271; H05B 6/02; H05B 6/06; H05B 6/12
USPC D7/323, 354-361; 99/324-325,
99/330-339, 403; 126/348, 384.1, 389.1,
126/390.1; 219/401, 438, 440-441, 447.1,
219/620-622; 220/573.1-573.5, 912
See application file for complete search history.

(56) **References Cited**

U.S. PATENT DOCUMENTS

D346,527 S * 5/1994 Del Fresno D7/354
D347,353 S 5/1994 Piret et al.
D386,646 S * 11/1997 Wurth D7/354

D423,277 S 4/2000 Josancy
D446,680 S * 8/2001 Falt et al. D7/354
D452,412 S 12/2001 Jeong
D464,526 S * 10/2002 Brown D7/354
D465,125 S * 11/2002 Chedal Anglay D7/354
D486,351 S 2/2004 Lu et al.
D489,223 S 5/2004 Jung
D489,935 S 5/2004 Choi
6,742,444 B1 * 6/2004 Lai et al. 99/330
6,807,899 B2 * 10/2004 Dirand 99/403
D498,115 S 11/2004 Shin
D505,293 S 5/2005 Jung
D533,014 S * 12/2006 Choi D7/354
D604,092 S 11/2009 Kotani
D609,522 S 2/2010 Nakatani
D609,962 S * 2/2010 Fiorotto D7/354
D610,392 S * 2/2010 Fiorotto D7/354

(Continued)

Primary Examiner — Ricky Pham

(74) *Attorney, Agent, or Firm* — Luedeka Neely Group, PC

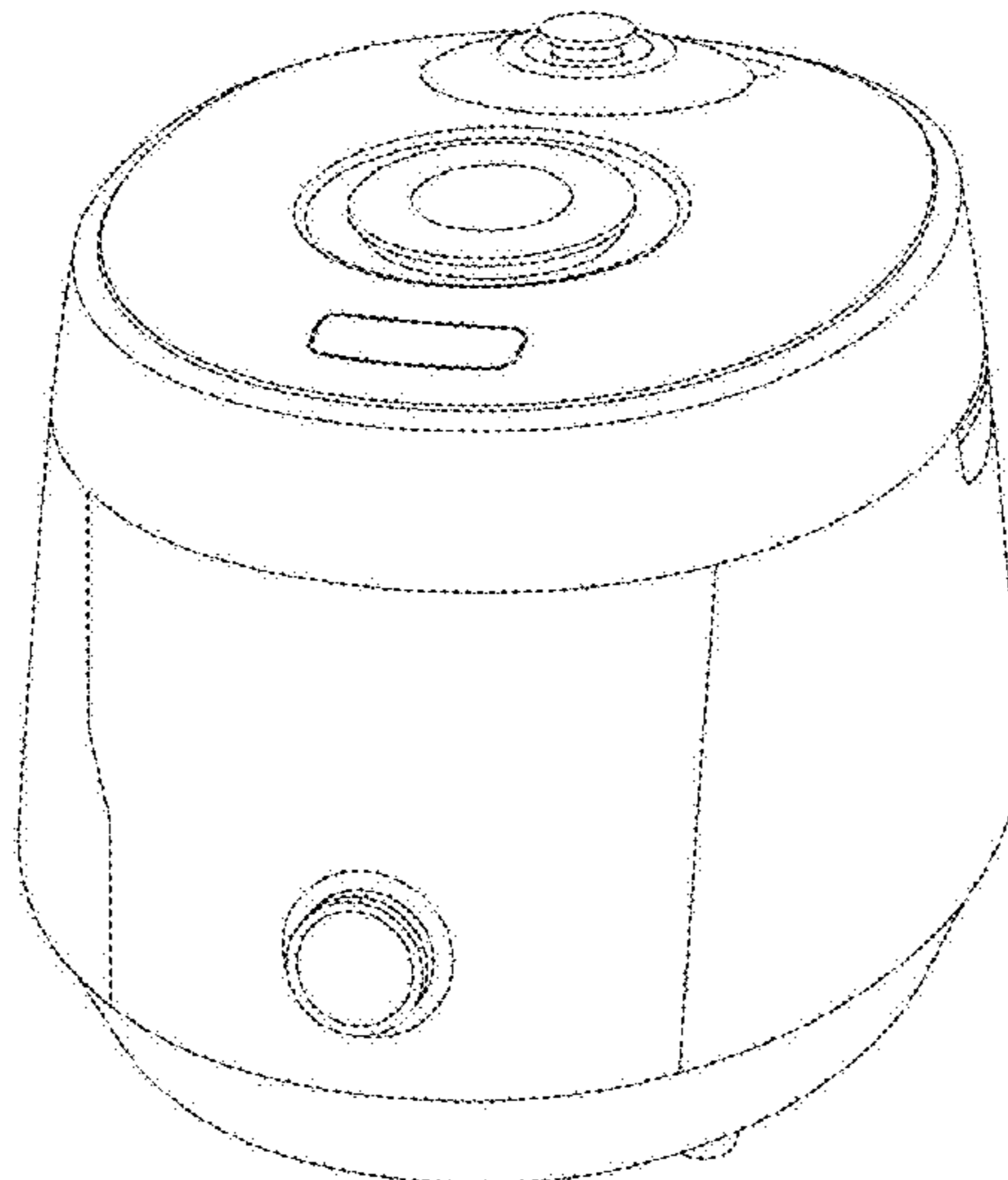
(57) **CLAIM**

The ornamental design of an electric pressure rice cooker and warmer, as shown and described.

DESCRIPTION

FIG. 1 is perspective view of the electric pressure rice cooker and warmer of my new design;
FIG. 2 is a front side view of the electric pressure rice cooker and warmer of my new design;
FIG. 3 is a rear side view of the electric pressure rice cooker and warmer of my new design;
FIG. 4 is a right side view of the electric pressure rice cooker and warmer of my new design;
FIG. 5 is a left side view of the electric pressure rice cooker and warmer of my new design;
FIG. 6 is a top plan view of the electric pressure rice cooker and warmer of my new design; and,
FIG. 7 is a bottom plan view of the electric pressure rice cooker and warmer of my new design.

1 Claim, 7 Drawing Sheets



(56)

References Cited

U.S. PATENT DOCUMENTS

D610,866 S 3/2010 Fiorotto
D620,743 S 8/2010 Hsiao
D632,128 S 2/2011 Lam

D637,452 S 5/2011 Nakatani
D672,600 S * 12/2012 Berge D7/354
D677,112 S * 3/2013 Piret D7/354
D704,500 S * 5/2014 Kim D7/354

* cited by examiner

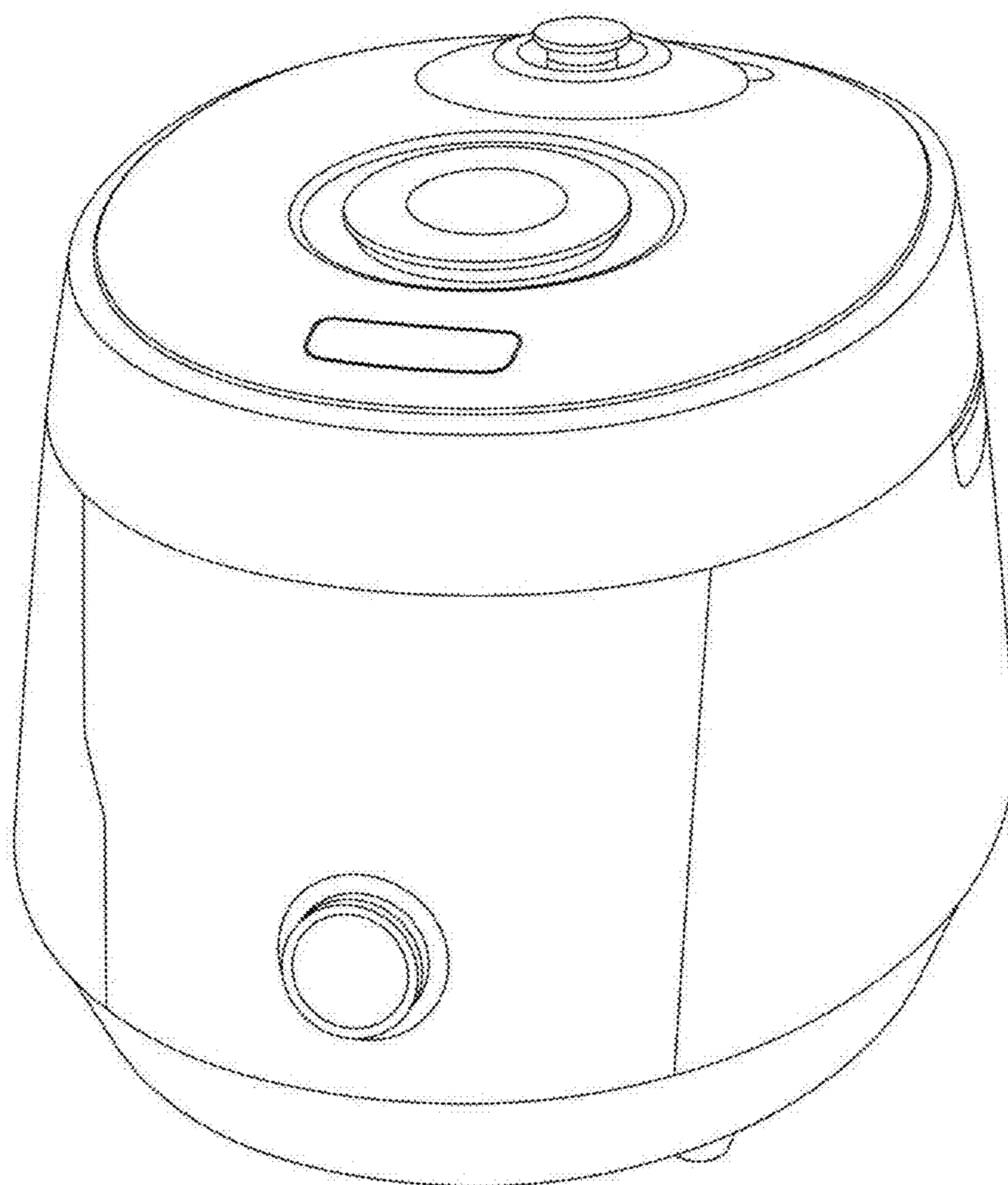


FIG. 1

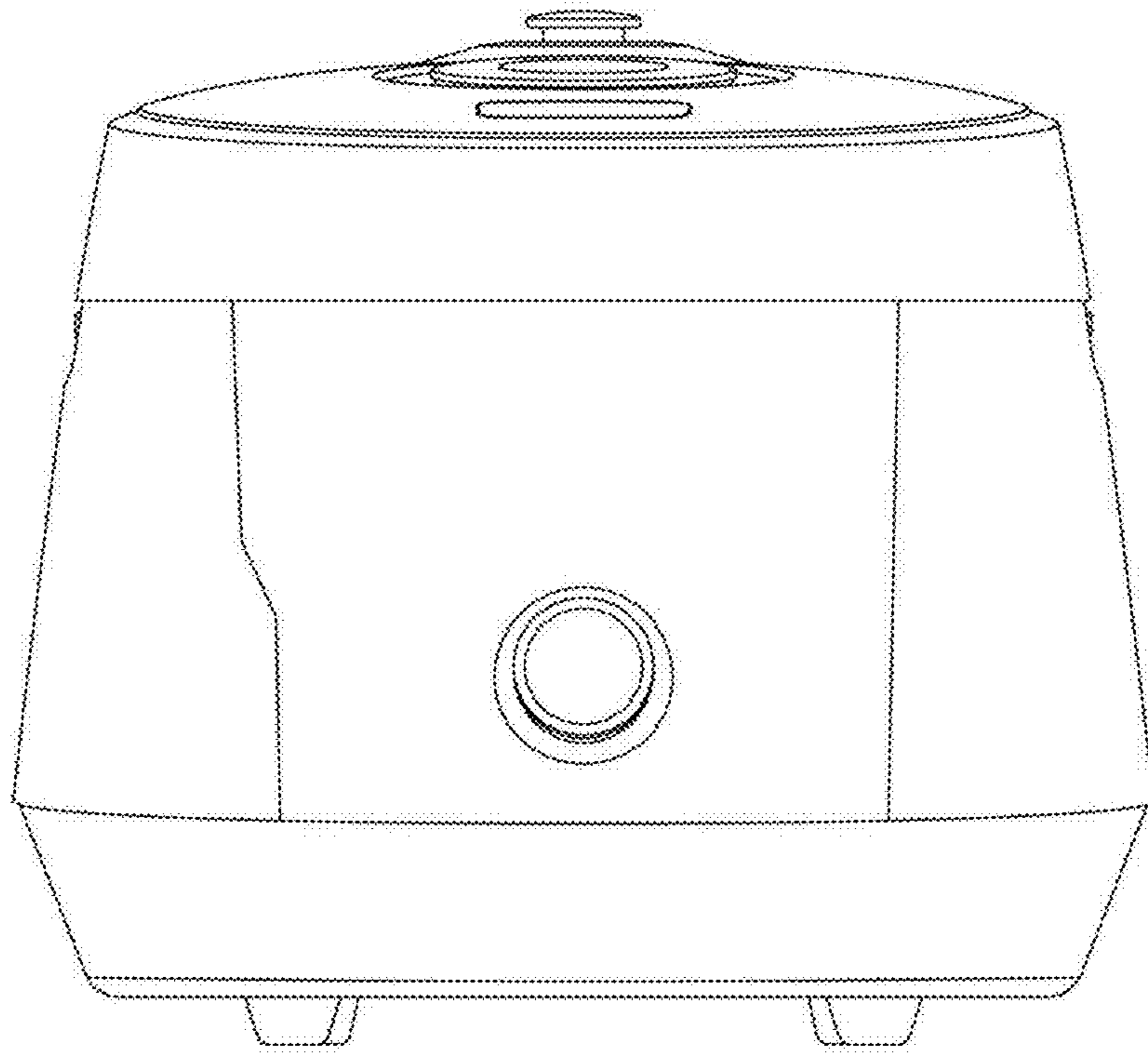


FIG. 2

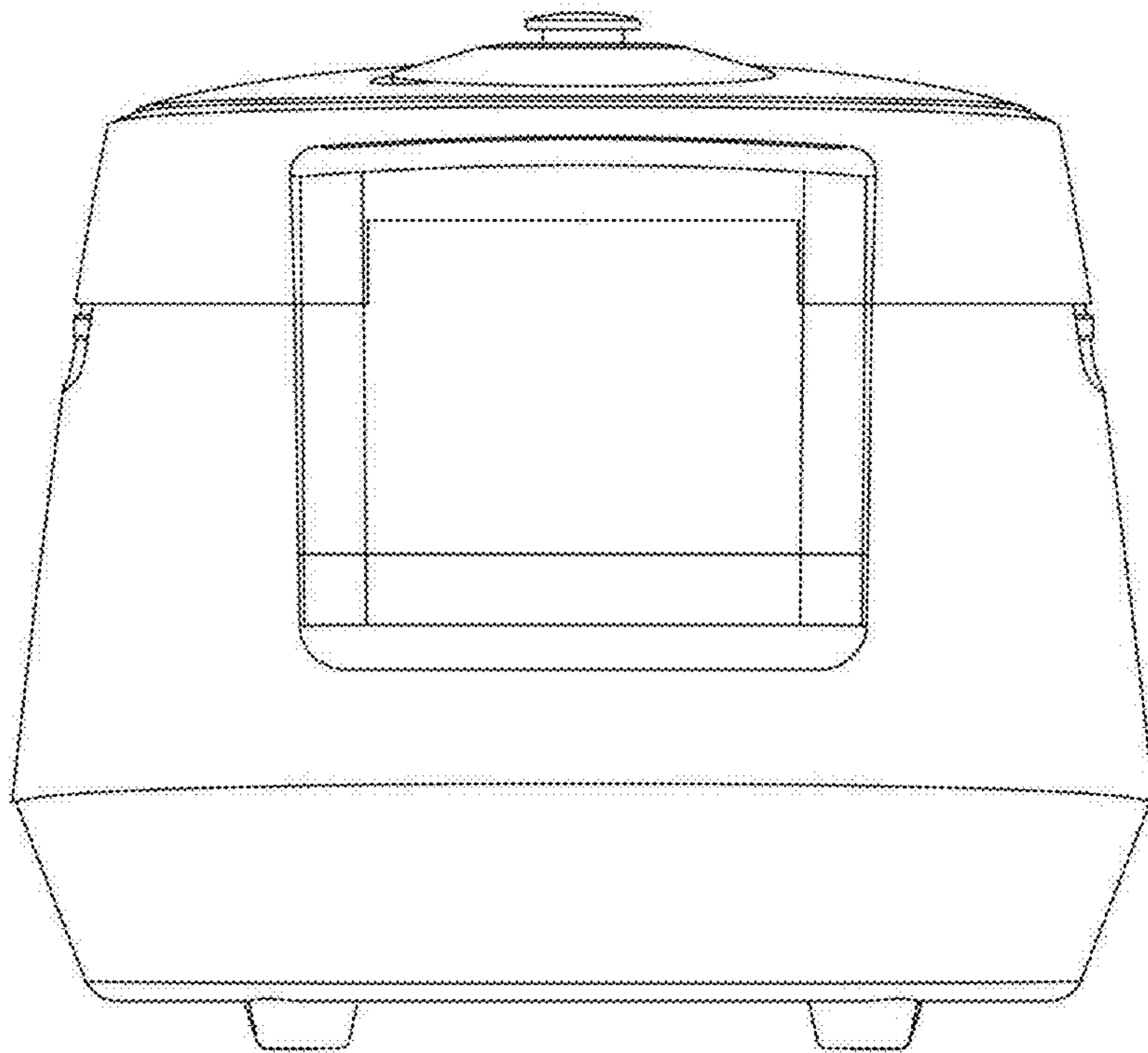


FIG. 3

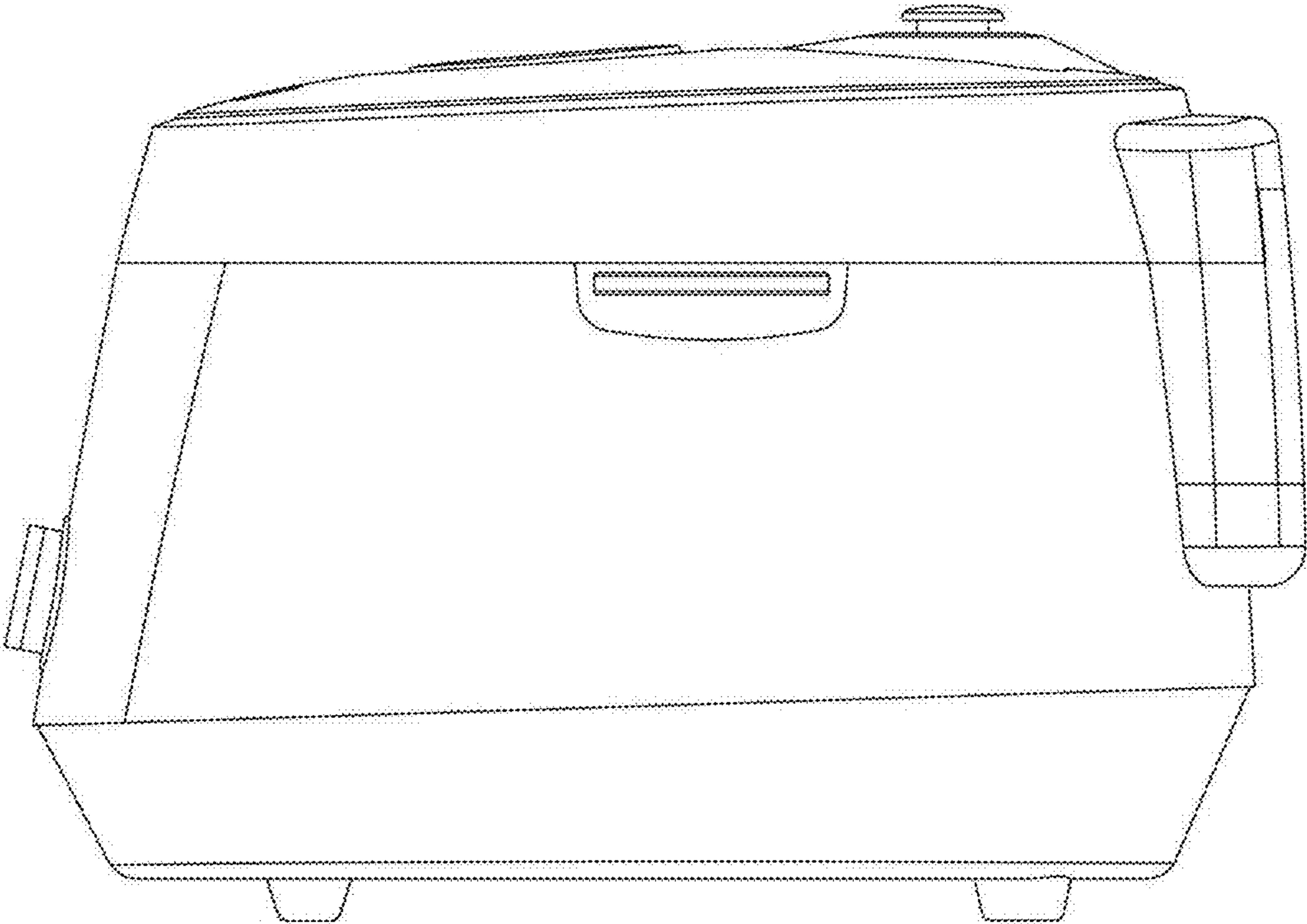


FIG. 4

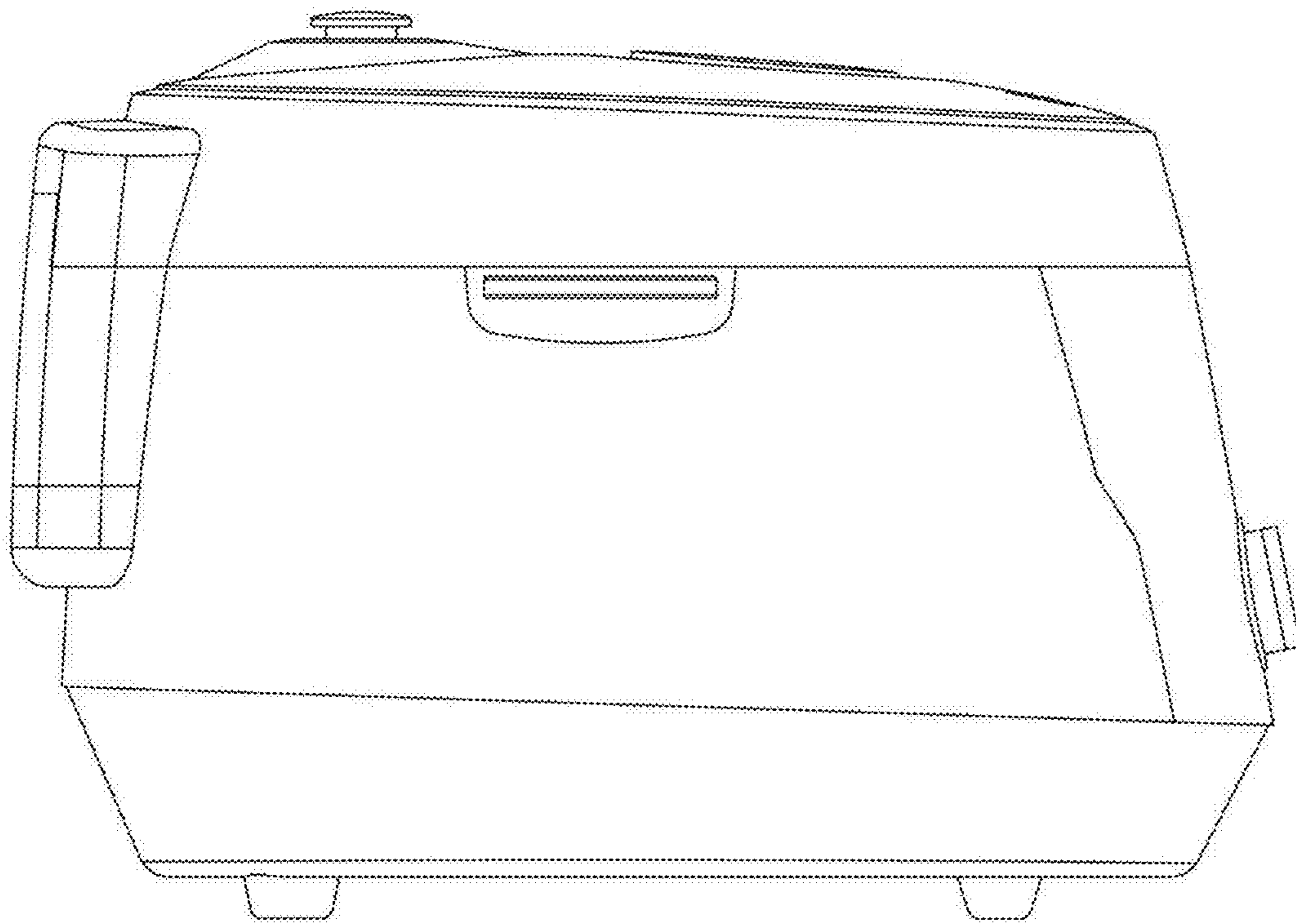


FIG. 5

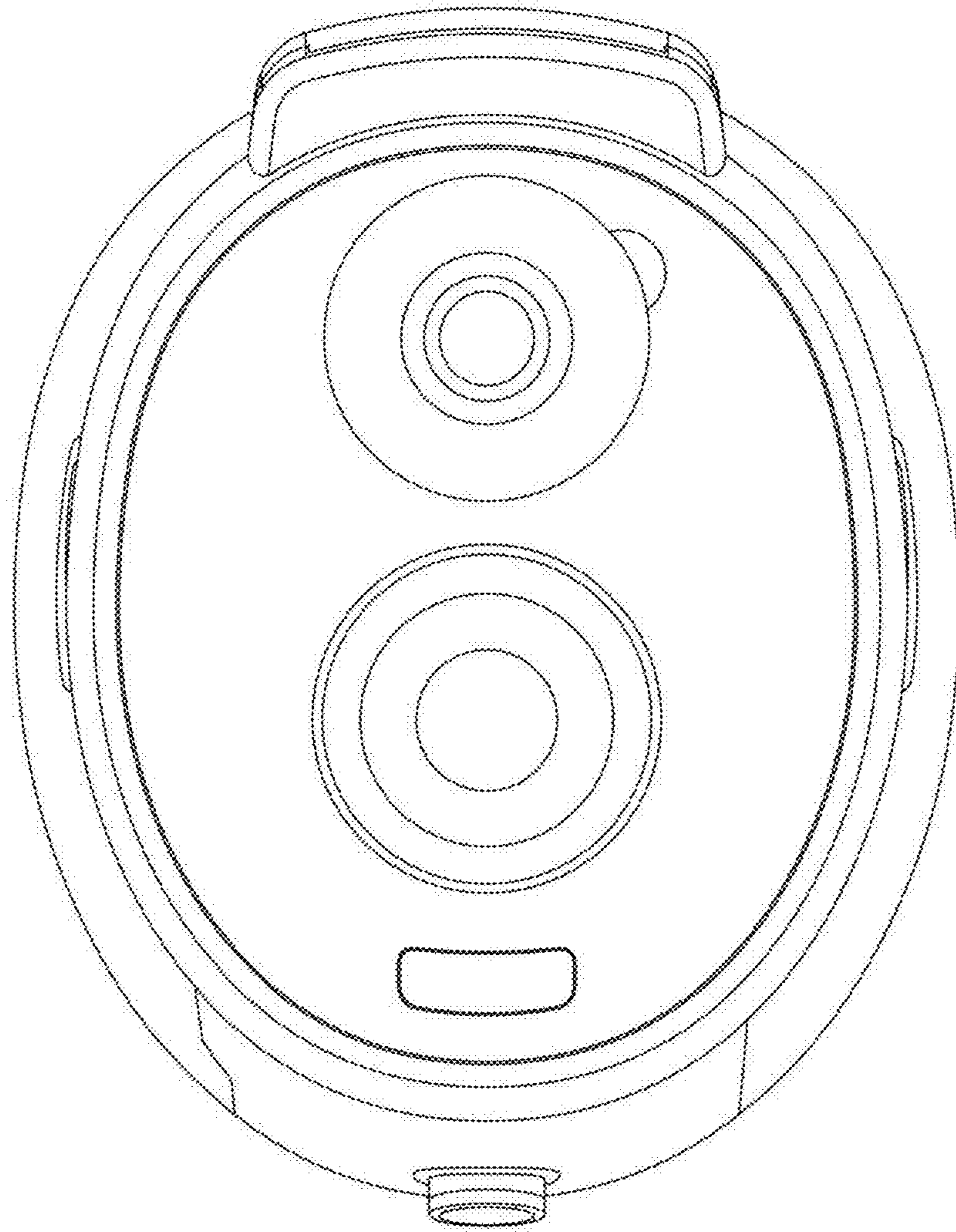


FIG. 6

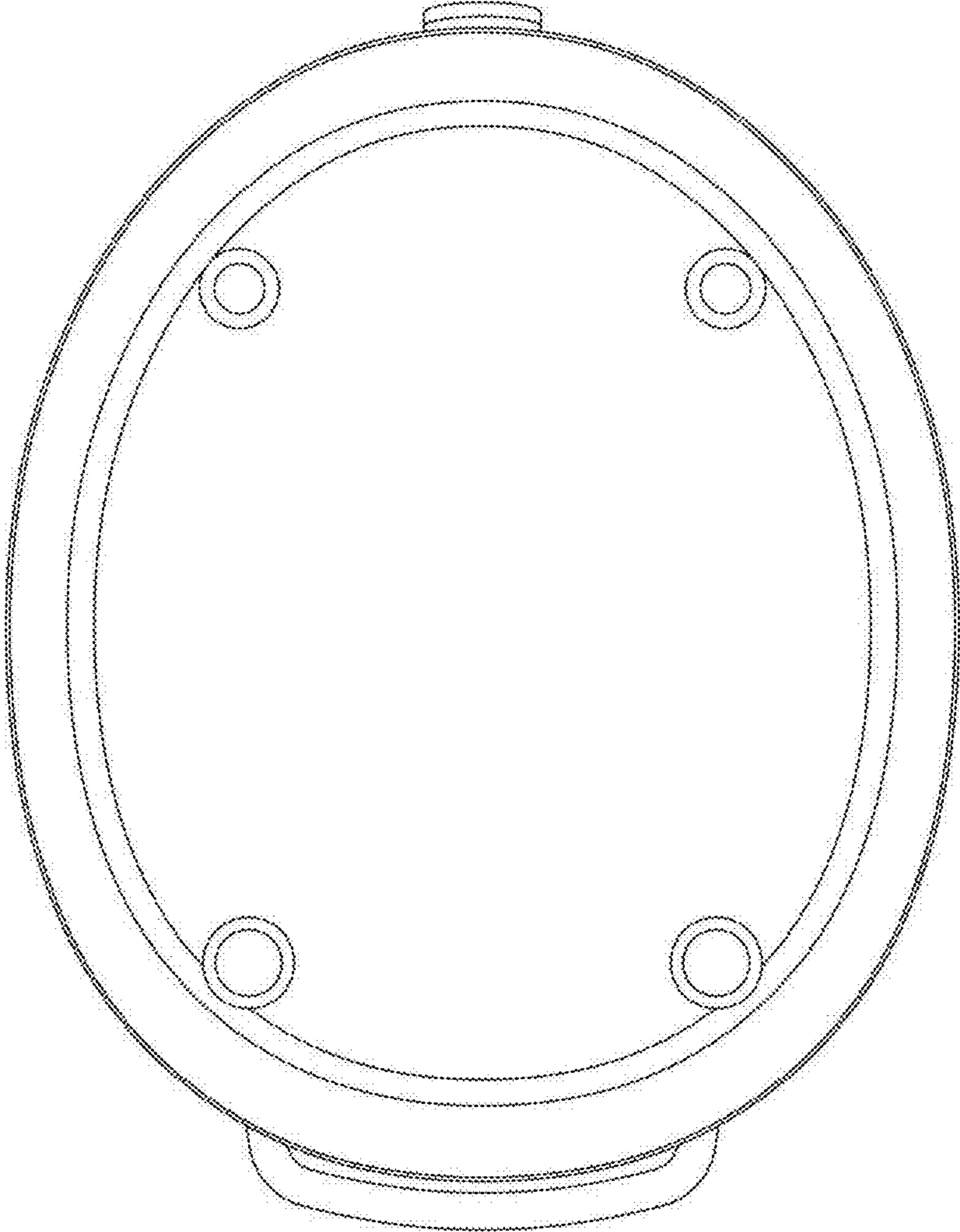


FIG. 7