



US00D715086S

(12) **United States Design Patent**
Piret

(10) **Patent No.:** **US D715,086 S**
(45) **Date of Patent:** **** Oct. 14, 2014**

(54) **ELECTRIC SANDWICH MAKER**

(71) Applicant: **SEB**, Selongey (FR)

(72) Inventor: **Philippe Piret**, Mezieres sur Seine (FR)

(73) Assignee: **SEB**, Selongey (FR)

(**) Term: **14 Years**

(21) Appl. No.: **29/483,544**

(22) Filed: **Feb. 28, 2014**

(30) **Foreign Application Priority Data**

Sep. 4, 2013 (EM) 002302141-0001

(51) **LOC (10) Cl.** **07-02**

(52) **U.S. Cl.**
USPC **D7/352; D7/362**

(58) **Field of Classification Search**

CPC A21B 5/023; A47J 27/60; A47J 27/62;
A47J 37/04; A47J 37/06; A47J 37/067;
A47J 37/0605; A47J 37/0611; A47J 37/0623;
A47J 37/0629; A47J 37/0676; F24C 15/10;
F24C 15/102; H05B 6/02; H05B 6/062
USPC D7/323, 328-330, 337, 347, 352-364,
D7/402, 409-411; 99/324-326, 331, 339,
99/349, 357, 372-379, 444-446; 219/386,
219/450.1, 472, 524-525, 620-622,
219/732-734

See application file for complete search history.

(56) **References Cited**

U.S. PATENT DOCUMENTS

D235,610 S * 7/1975 Giguere D7/352
D242,975 S * 1/1977 Daher D7/352
D266,306 S * 9/1982 Ansel D7/352
D301,671 S * 6/1989 Van Asten D7/352
D413,759 S * 9/1999 Carrere D7/352

D439,796 S * 4/2001 Edwards et al. D7/352
D451,754 S * 12/2001 Cousins et al. D7/352
D466,361 S * 12/2002 Wanat et al. D7/352
D502,630 S * 3/2005 Lubowicki D7/352
D509,703 S * 9/2005 Barker D7/352
D510,677 S * 10/2005 Steinberg et al. D7/352
D527,941 S * 9/2006 Serra D7/352
D528,350 S * 9/2006 McHutchison D7/352
D546,619 S * 7/2007 McHutchison D7/352
D580,699 S * 11/2008 Averty D7/352
D581,202 S * 11/2008 Tetreault et al. D7/352
D588,858 S * 3/2009 Tetreault et al. D7/352
D589,294 S * 3/2009 Averty D7/356
D592,444 S * 5/2009 Tetreault D7/352

(Continued)

Primary Examiner — Ricky Pham

(74) *Attorney, Agent, or Firm* — Loeb & Loeb LLP

(57) **CLAIM**

The ornamental design for an electric sandwich maker, as shown and described.

DESCRIPTION

FIG. 1 is a perspective view of an embodiment of an electric sandwich maker showing my new design.

FIG. 2 is a front elevational view of the electric sandwich maker of FIG. 1.

FIG. 3 is a rear elevational view of the electric sandwich maker of FIG. 1.

FIG. 4 is a right side elevational view of the electric sandwich maker of FIG. 1.

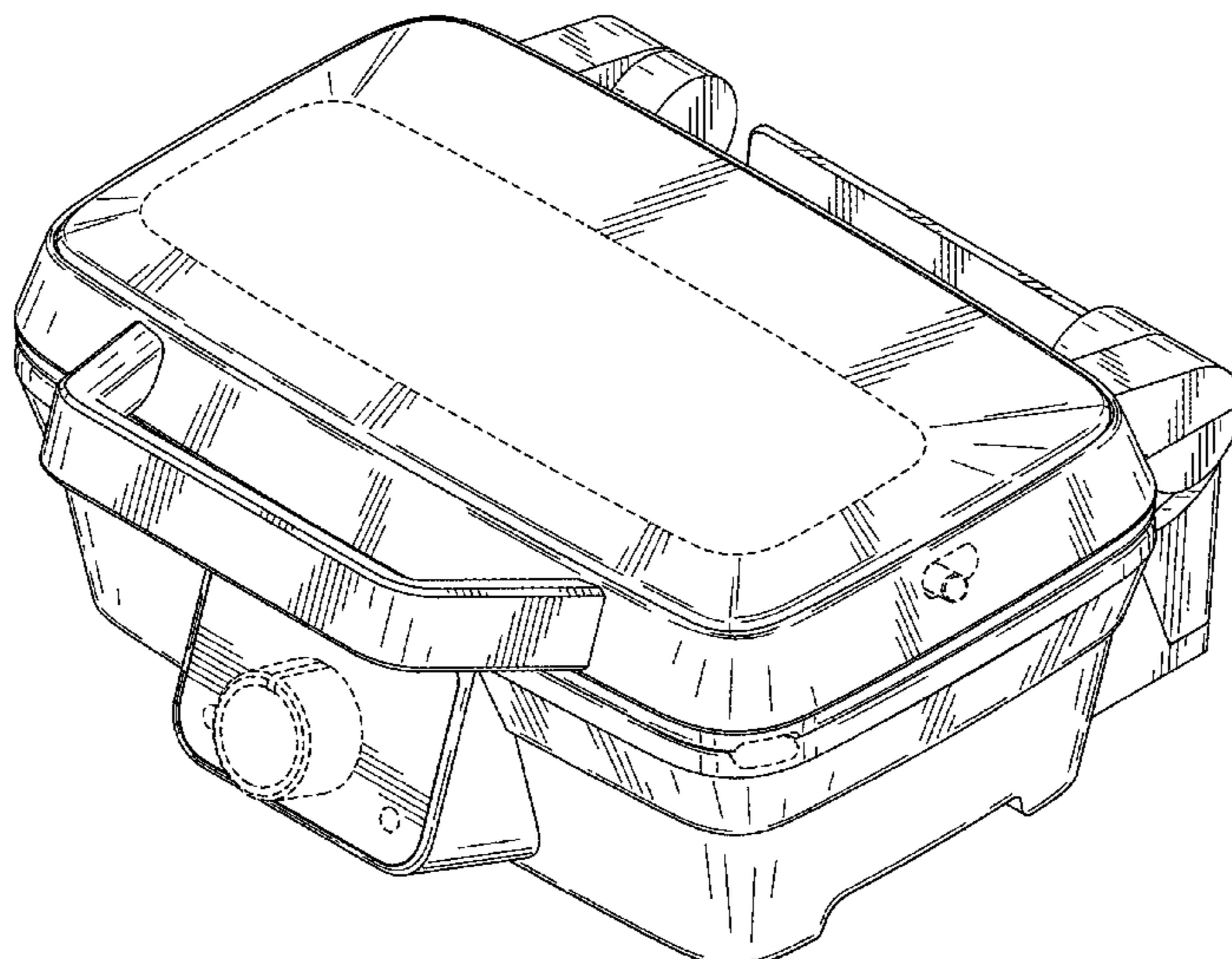
FIG. 5 is a left side elevational view of the electric sandwich maker of FIG. 1.

FIG. 6 is a top plan view of the electric sandwich maker of FIG. 1; and,

FIG. 7 is a bottom plan view of the electric sandwich maker of FIG. 1.

The broken lines appearing in the figures are for the purpose of illustrating the environmental structure of the article of the claimed design and form no part of the claimed design.

1 Claim, 7 Drawing Sheets



(56)

References Cited

U.S. PATENT DOCUMENTS

D622,538 S * 8/2010 Hoare et al. D7/352
D632,126 S * 2/2011 Tetreault D7/352
D634,969 S * 3/2011 De' Longhi D7/352

D644,477 S * 9/2011 Burton et al. D7/362
D679,129 S * 4/2013 Cesaroni et al. D7/352
D694,570 S * 12/2013 Day et al. D7/352
D697,360 S * 1/2014 Josancy D7/352

* cited by examiner

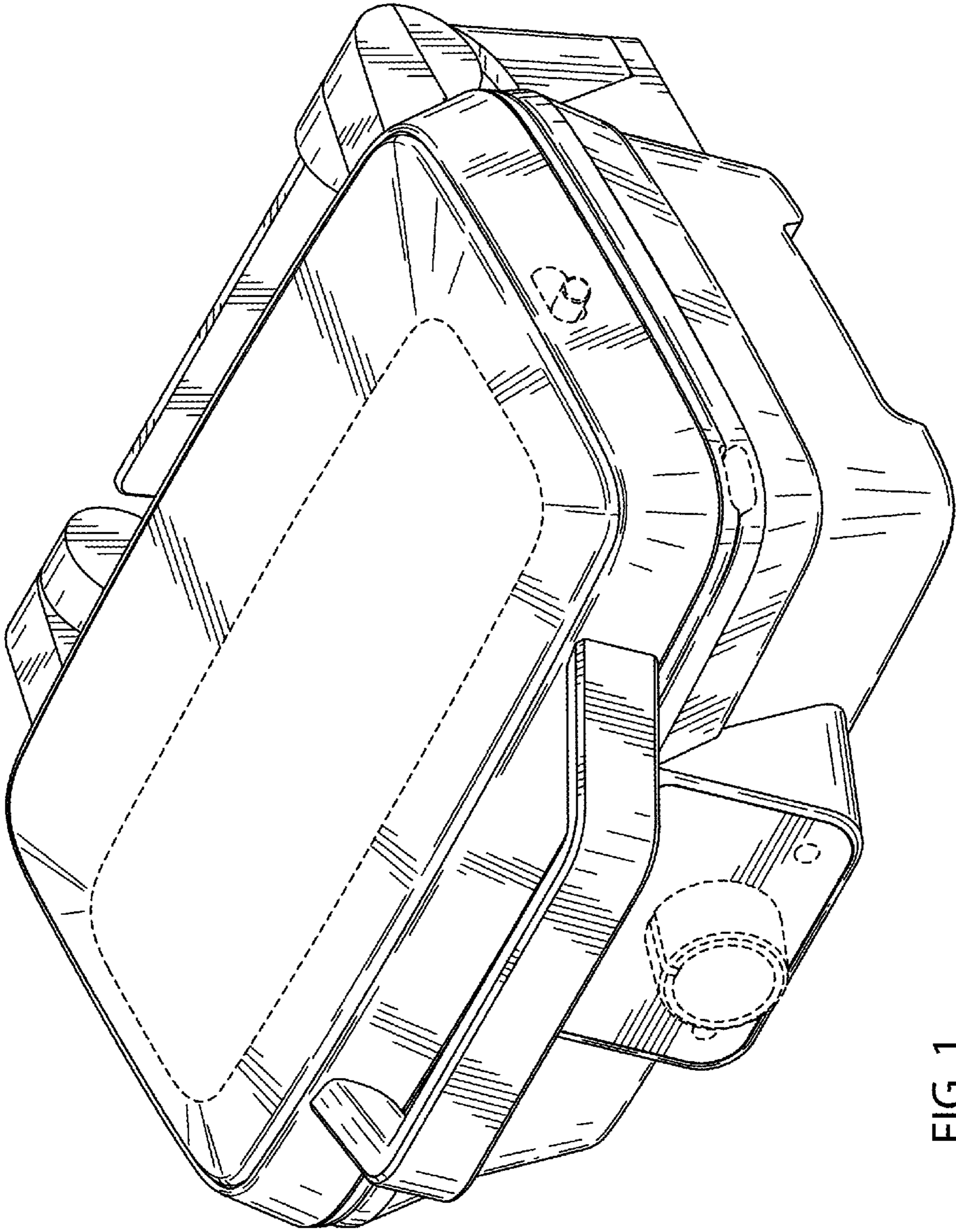


FIG. 1

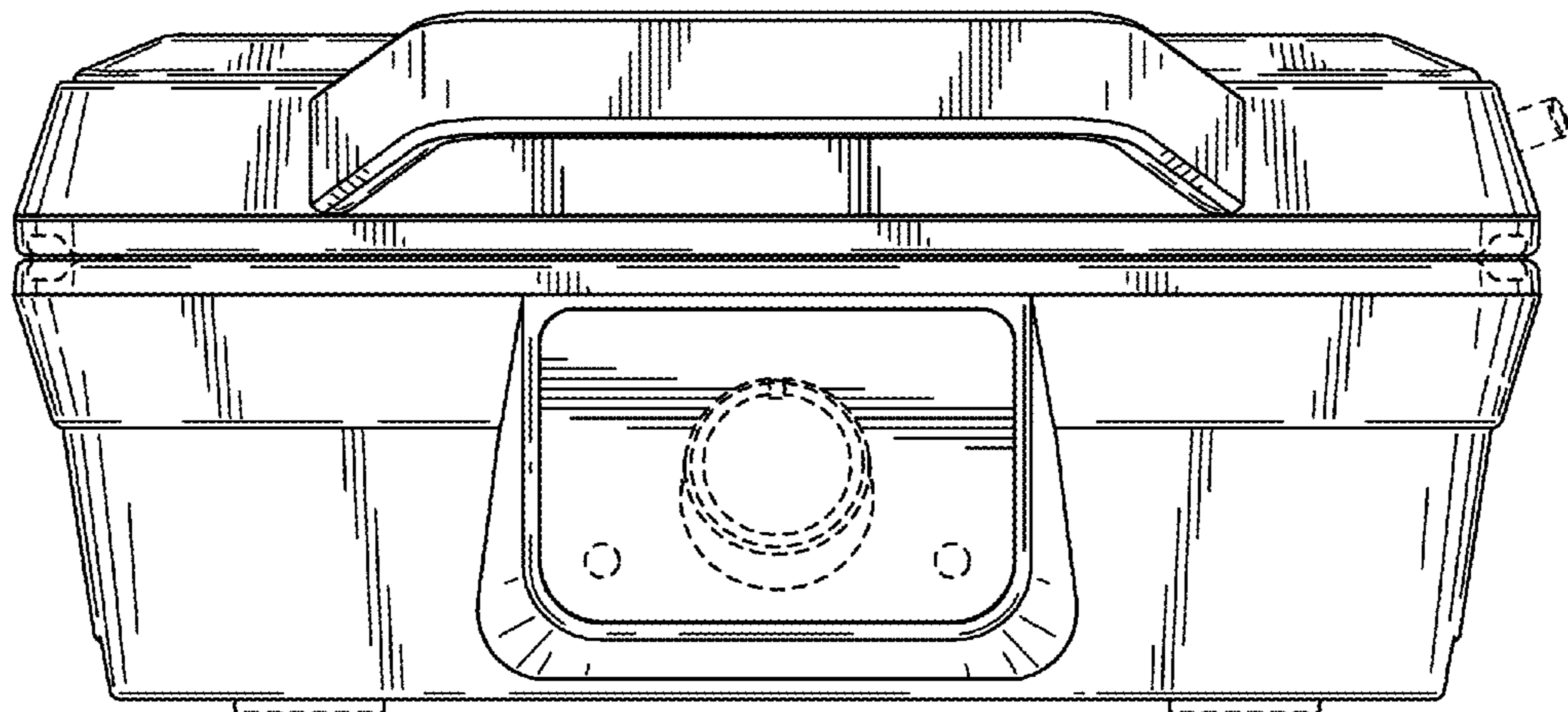


FIG. 2

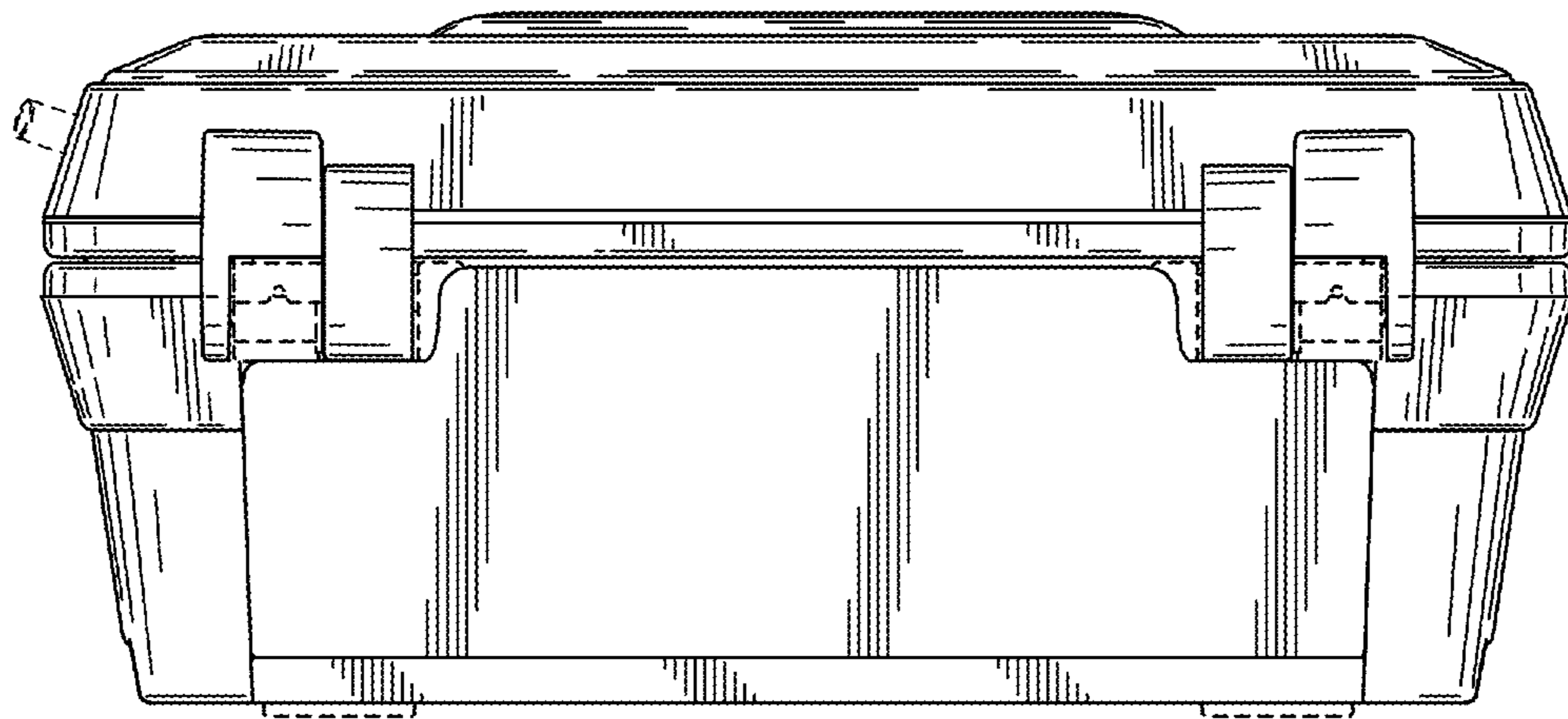


FIG. 3

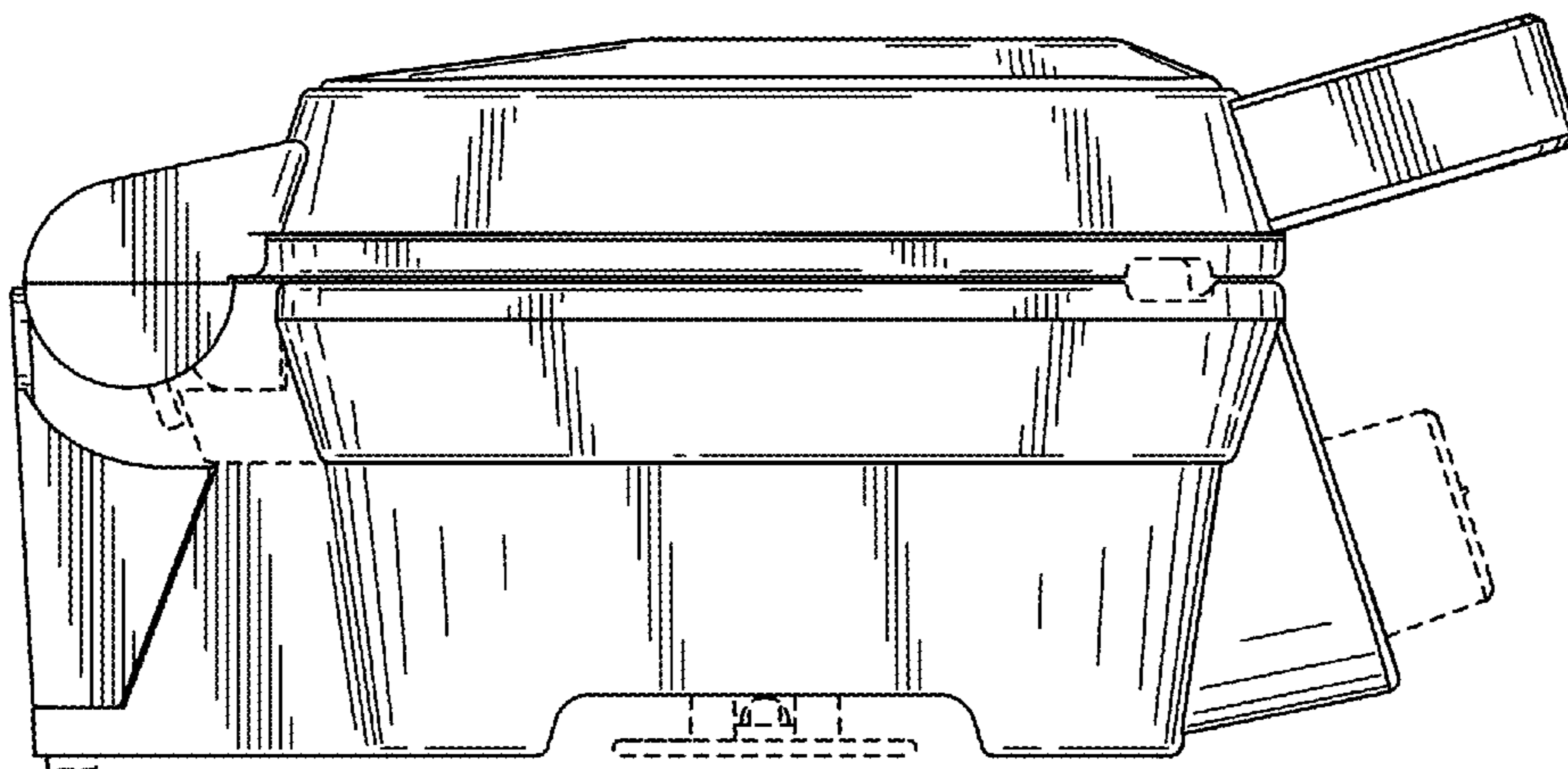


FIG. 4

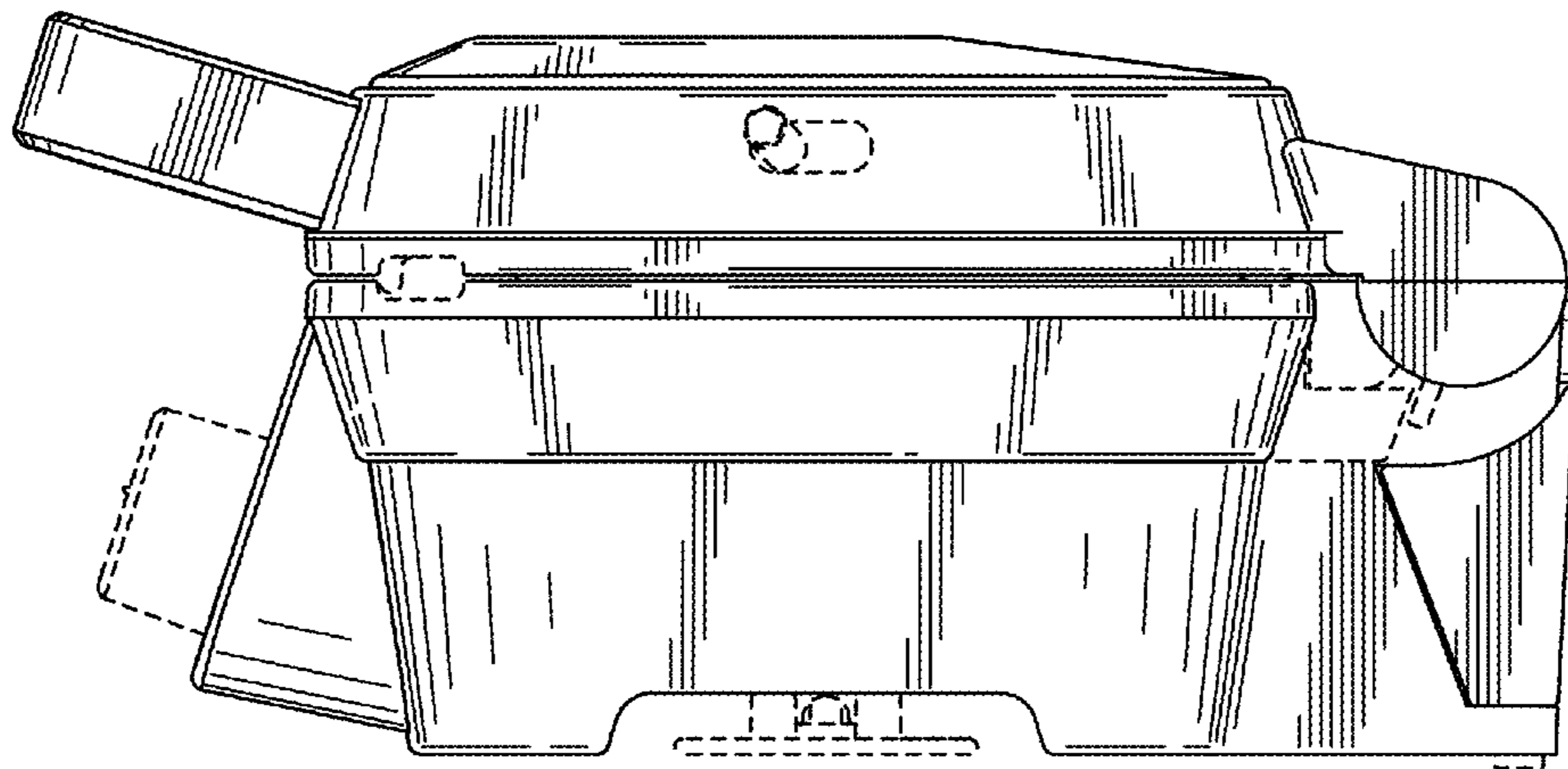


FIG. 5

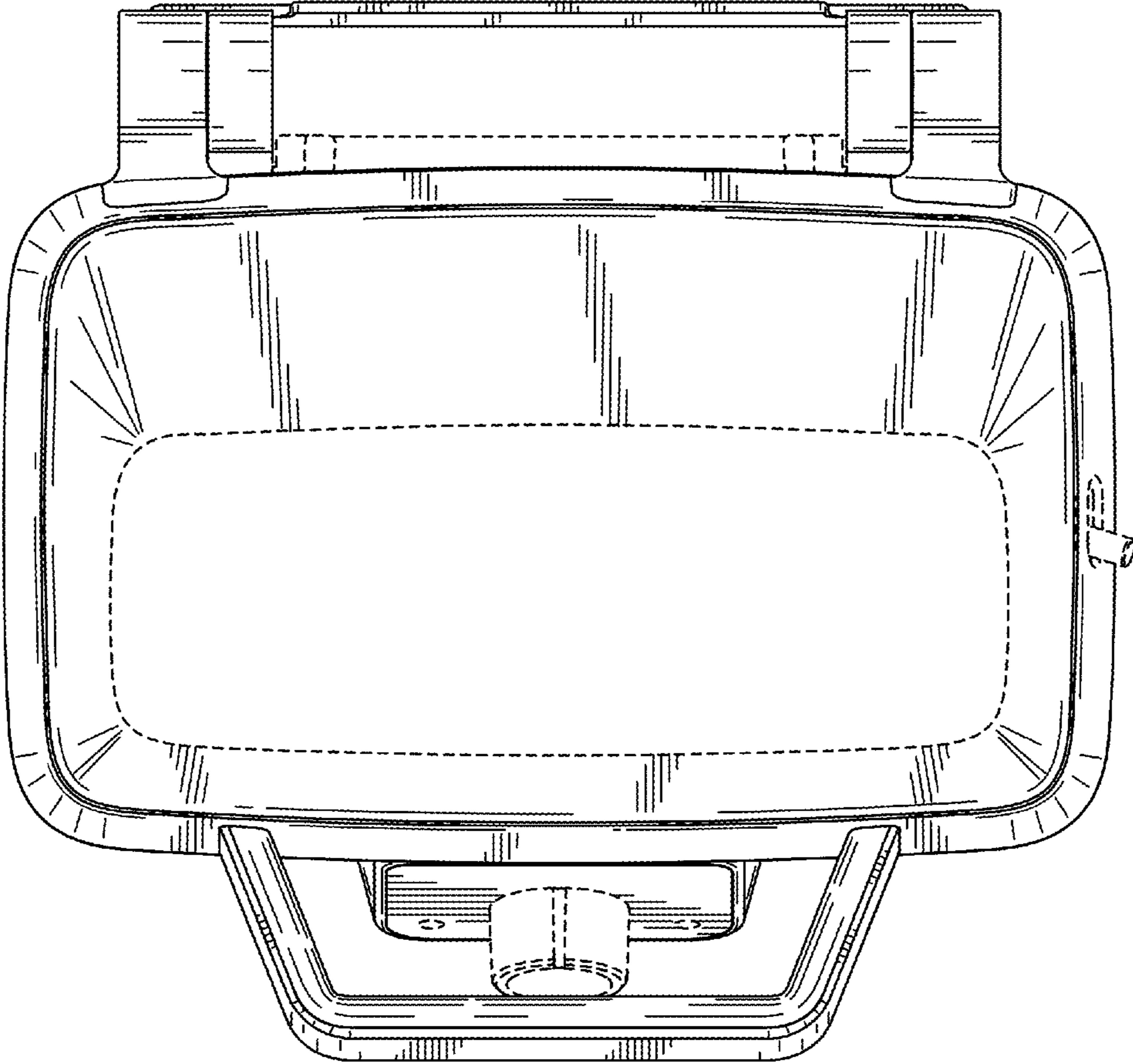


FIG. 6

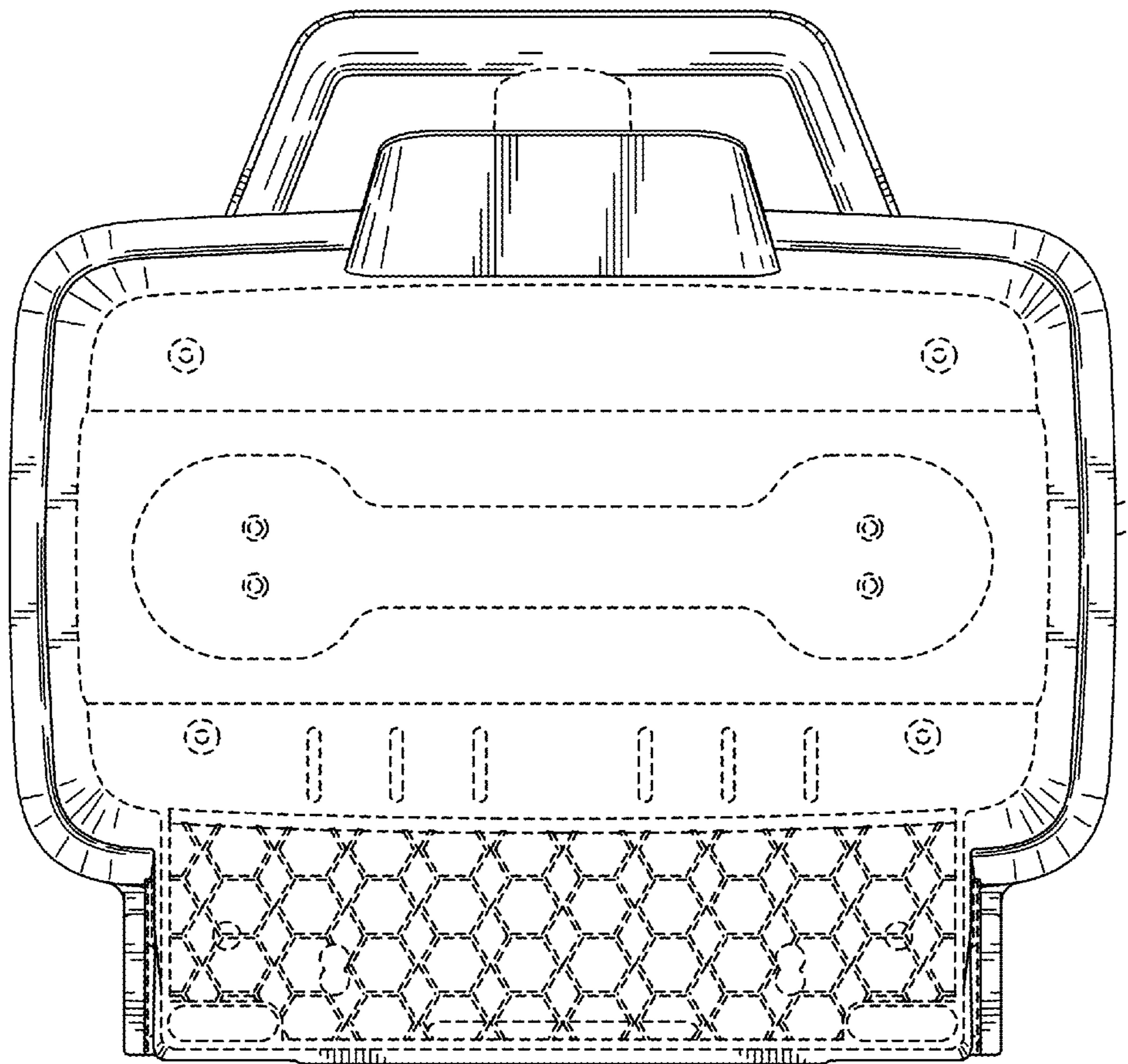


FIG. 7