



US00D715084S

(12) **United States Design Patent**  
**Hill**

(10) **Patent No.:** **US D715,084 S**  
(45) **Date of Patent:** **\*\* Oct. 14, 2014**

(54) **GARDEN OVEN**

(71) Applicant: **Garth Australia Pty Ltd**, Melbourne (AU)

(72) Inventor: **Gavin Hill**, Epping (AU)

(73) Assignee: **Garth Australia Pty Ltd** (AU)

(\*\*) Term: **14 Years**

(21) Appl. No.: **29/446,904**

(22) Filed: **Feb. 28, 2013**

(30) **Foreign Application Priority Data**

Aug. 29, 2012 (AU) ..... 14270/2012

(51) **LOC (10) Cl.** ..... **07-02**

(52) **U.S. Cl.**  
USPC ..... **D7/332; D7/333**

(58) **Field of Classification Search**  
CPC ..... A21B 1/00; A21B 1/52; A47J 33/00; A47J 36/26; A47J 36/36; A47J 37/04; A47J 37/041; A47J 37/049; A47J 37/07; A47J 37/042; A47J 37/067; A47J 37/0682; A47J 2037/0777; F24B 1/18; F24B 1/20; F24B 1/22; F24B 1/24; F24B 1/26; F24B 1/182; F24B 1/202; F24B 1/205; F24B 1/207; F24C 1/16; F24C 3/008; F24C 3/027; F24C 3/085; F24C 3/087; F24C 3/14; F24C 5/20; F24C 11/00; F24C 15/10  
USPC ..... D7/332-337, 402-408  
See application file for complete search history.

(56) **References Cited**

**U.S. PATENT DOCUMENTS**

702,999 A \* 9/1902 Richards ..... 126/506  
D222,569 S \* 11/1971 Ford ..... D7/333

D228,609 S \* 10/1973 Tarsitano, Jr. .... D7/333  
D267,769 S \* 2/1983 Pope ..... D7/332  
D272,885 S \* 3/1984 Famiglietti ..... D7/333  
D301,107 S \* 5/1989 Rocco ..... D7/332  
D329,960 S \* 10/1992 Reynolds ..... D7/334  
5,279,214 A \* 1/1994 Lamendola ..... 99/445  
5,284,125 A \* 2/1994 Hunziker ..... 126/25 R  
5,347,977 A \* 9/1994 Lehtikoinen et al. .... 126/19 R  
D396,166 S \* 7/1998 Pavlich ..... D7/333  
6,070,572 A \* 6/2000 Casagrande ..... 126/506  
6,581,513 B1 \* 6/2003 Prado Alvarez ..... 99/482  
6,615,818 B1 \* 9/2003 Jimka et al. .... 126/8  
D480,258 S \* 10/2003 Gordon ..... D7/333  
6,748,939 B1 \* 6/2004 Gober ..... 126/25 R  
D493,328 S \* 7/2004 Wood ..... D7/332  
D539,071 S \* 3/2007 O'Brien ..... D7/333  
D571,601 S \* 6/2008 Kolar ..... D7/333  
7,856,971 B2 \* 12/2010 Amaral ..... 126/25 A  
D637,860 S \* 5/2011 Petty ..... D7/333  
8,061,348 B1 \* 11/2011 Rodriguez ..... 126/506  
2001/0035176 A1 \* 11/2001 Bush, III ..... 126/25 R  
2007/0221191 A1 \* 9/2007 O'Brien et al. .... 126/25 R

\* cited by examiner

*Primary Examiner* — Ruth McInroy

(74) *Attorney, Agent, or Firm* — Kilpatrick Townsend & Stockton LLP

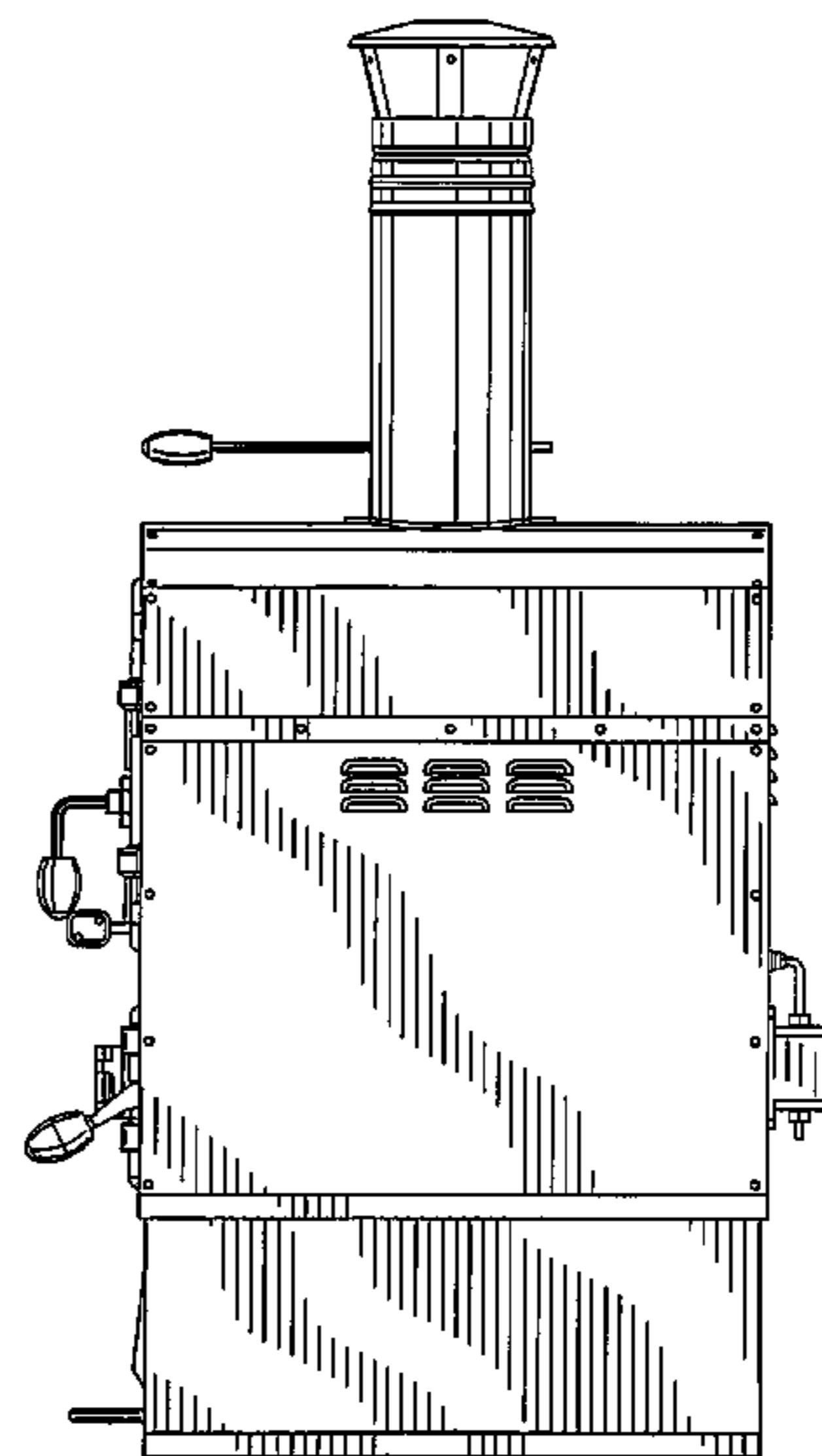
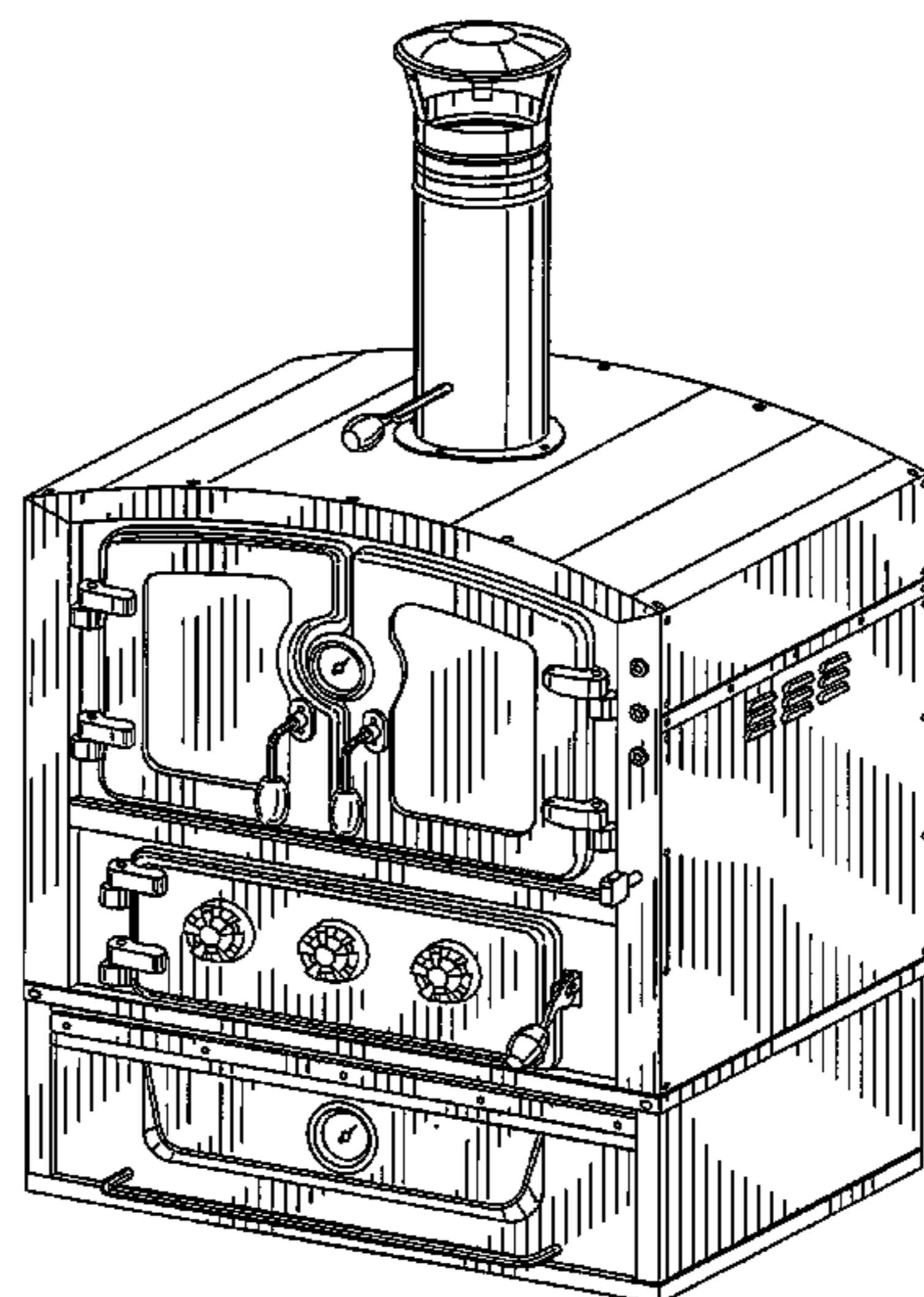
(57) **CLAIM**

I claim the ornamental design for a garden oven, as shown and described.

**DESCRIPTION**

FIG. 1 is a front perspective view of a garden oven showing my new design;  
FIG. 2 is a front view thereof;  
FIG. 3 is a rear view thereof;  
FIG. 4 is a left side view thereof;  
FIG. 5 is a right side view thereof;  
FIG. 6 is a top view thereof; and,  
FIG. 7 is a bottom view thereof.

**1 Claim, 7 Drawing Sheets**



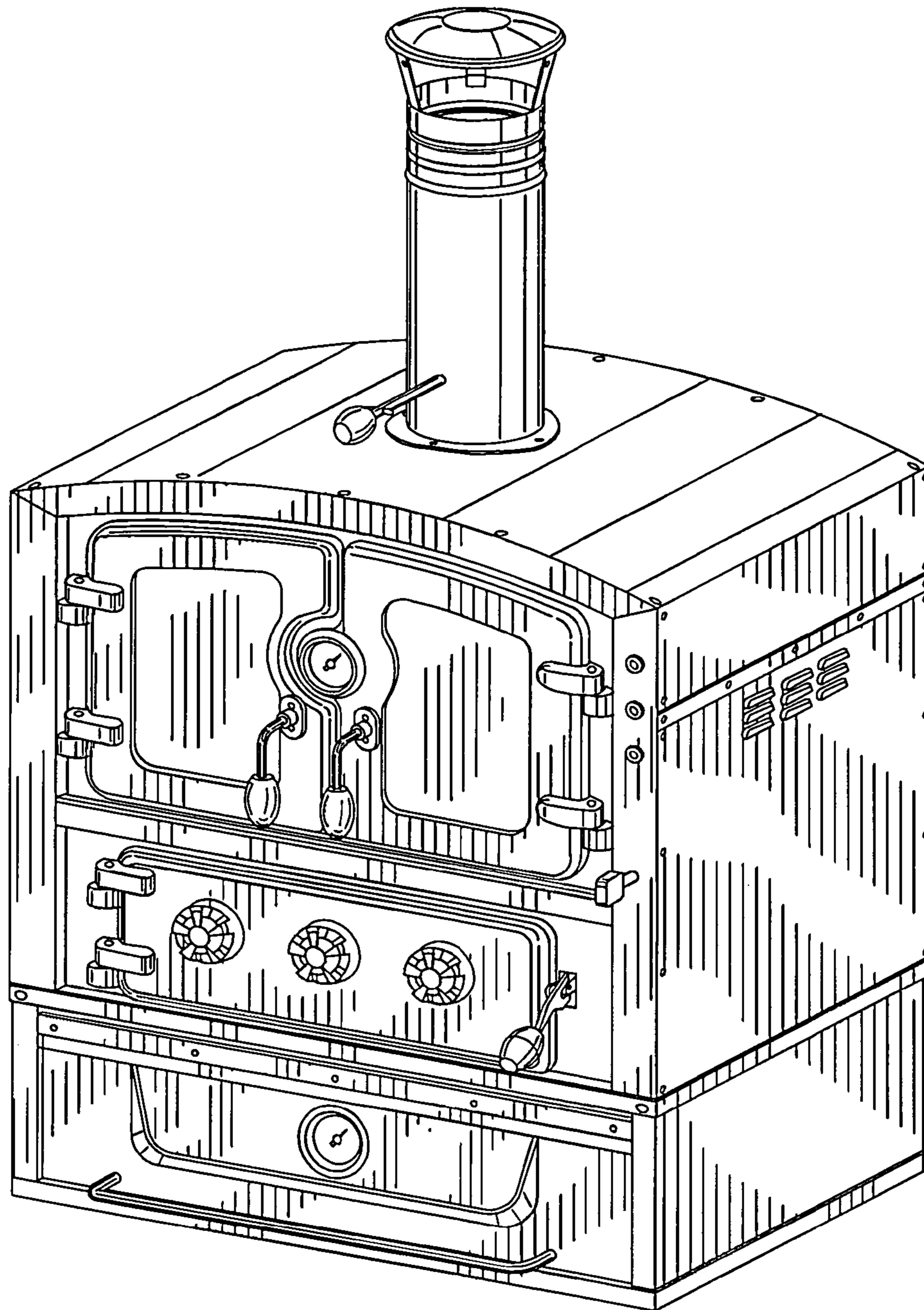


Fig.1

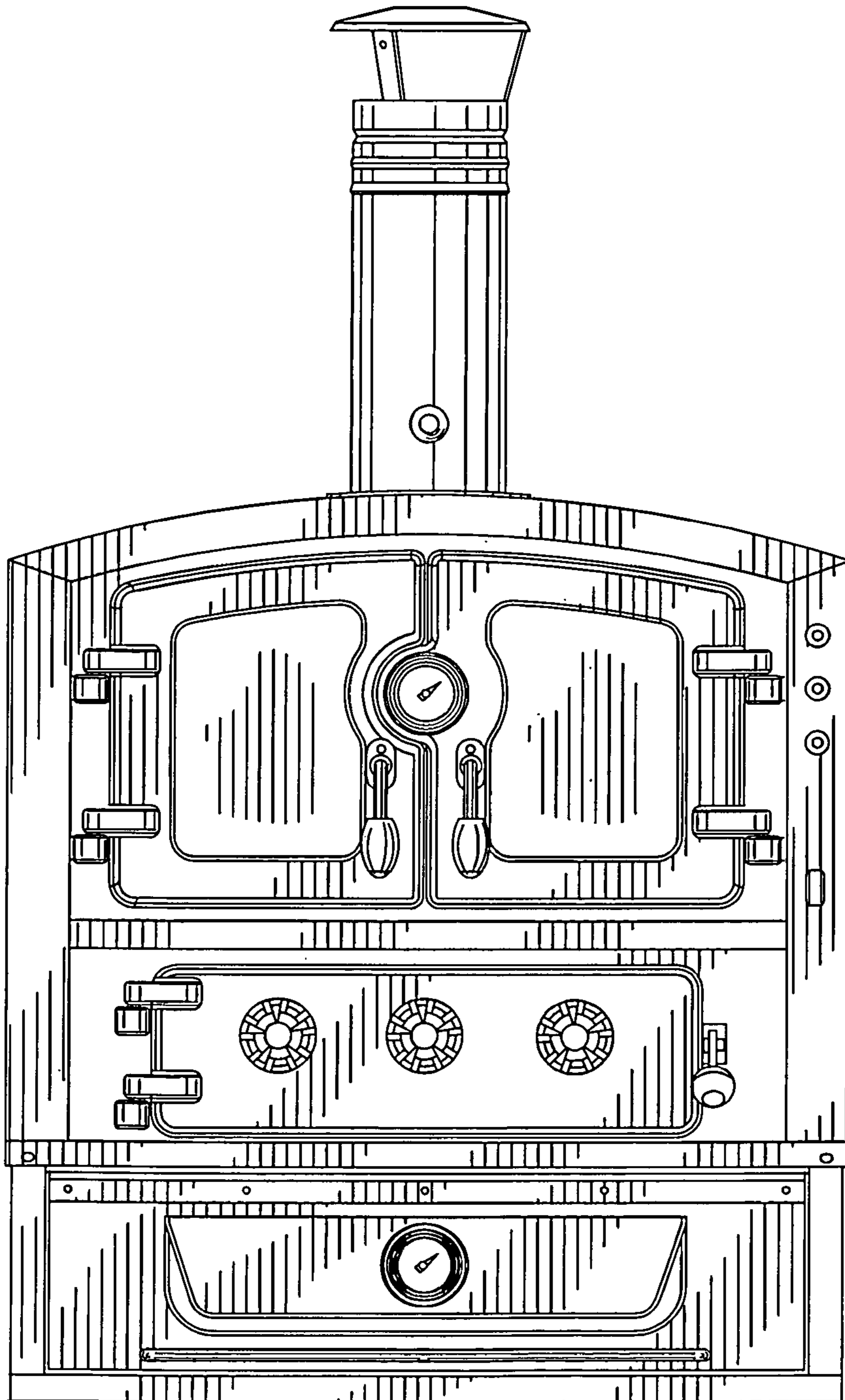


Fig. 2

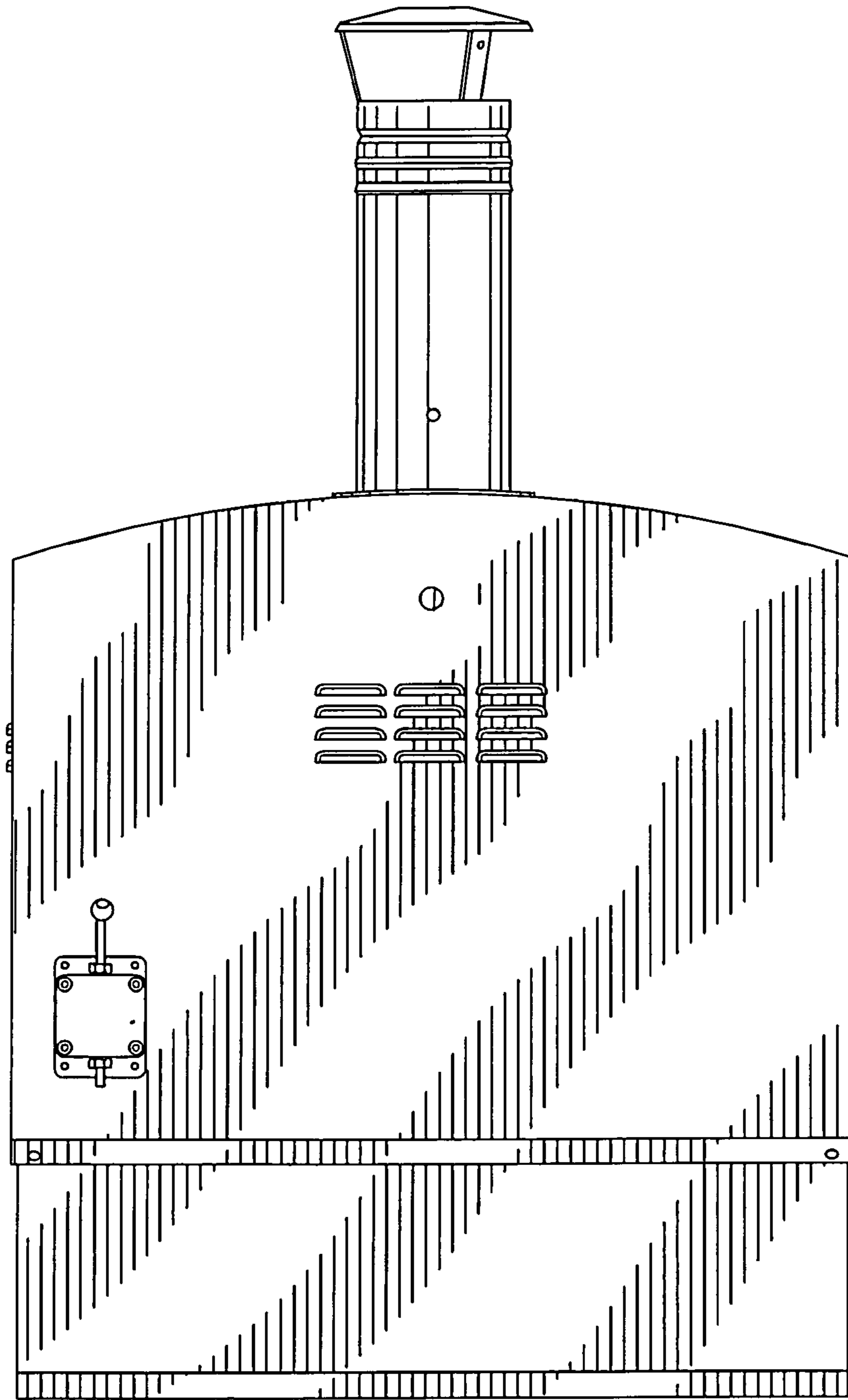


Fig. 3

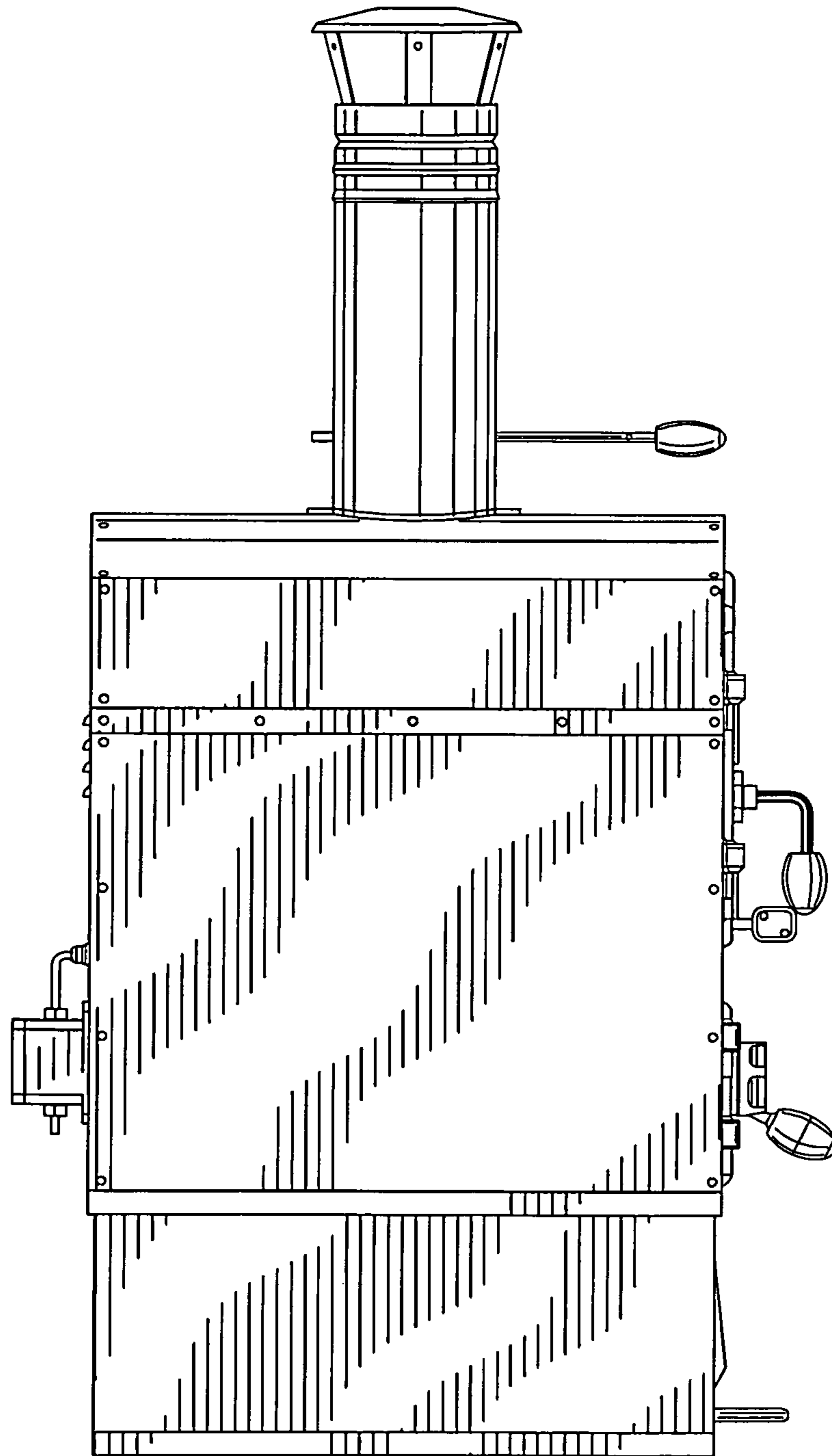


Fig. 4

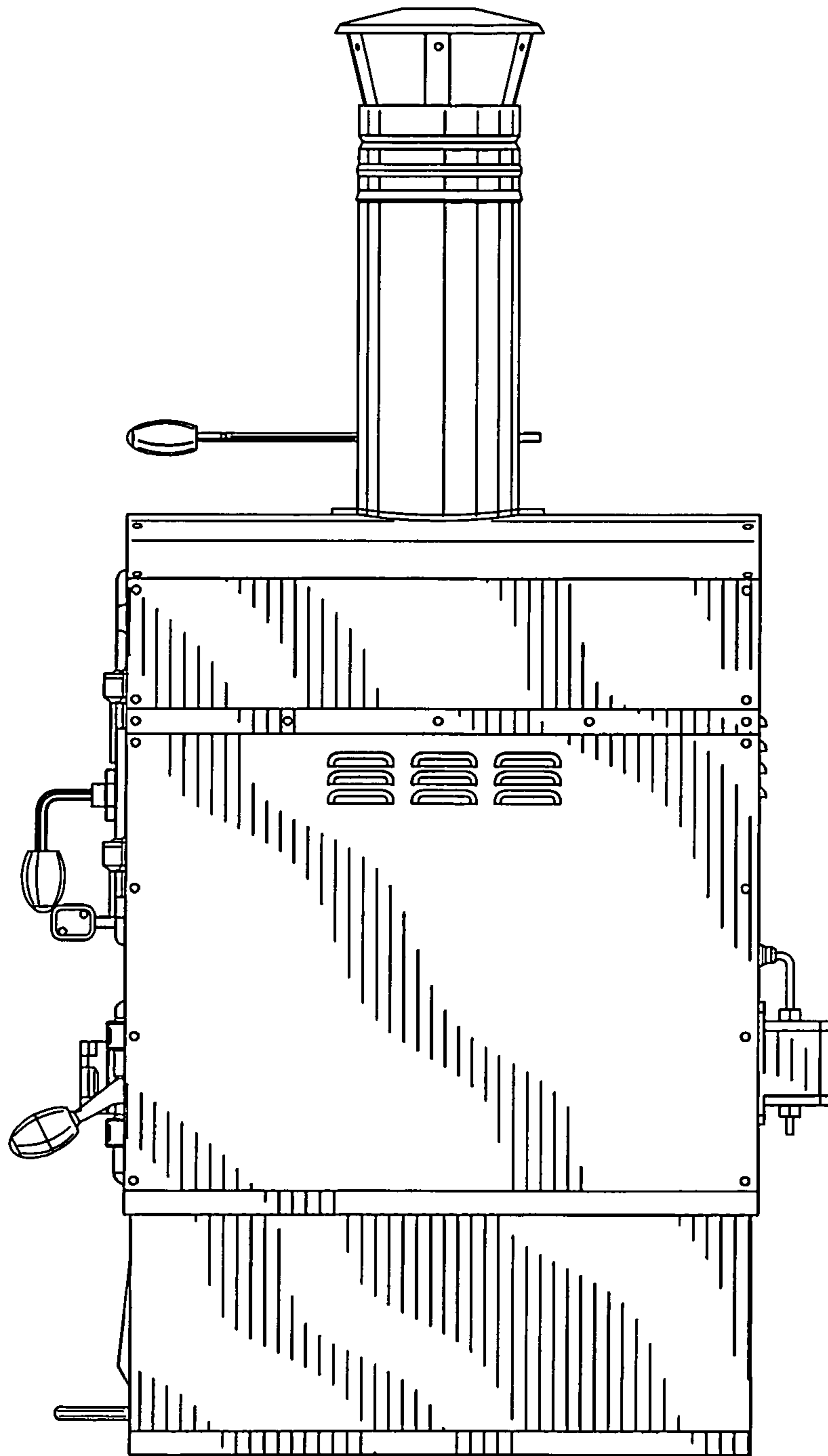


Fig. 5

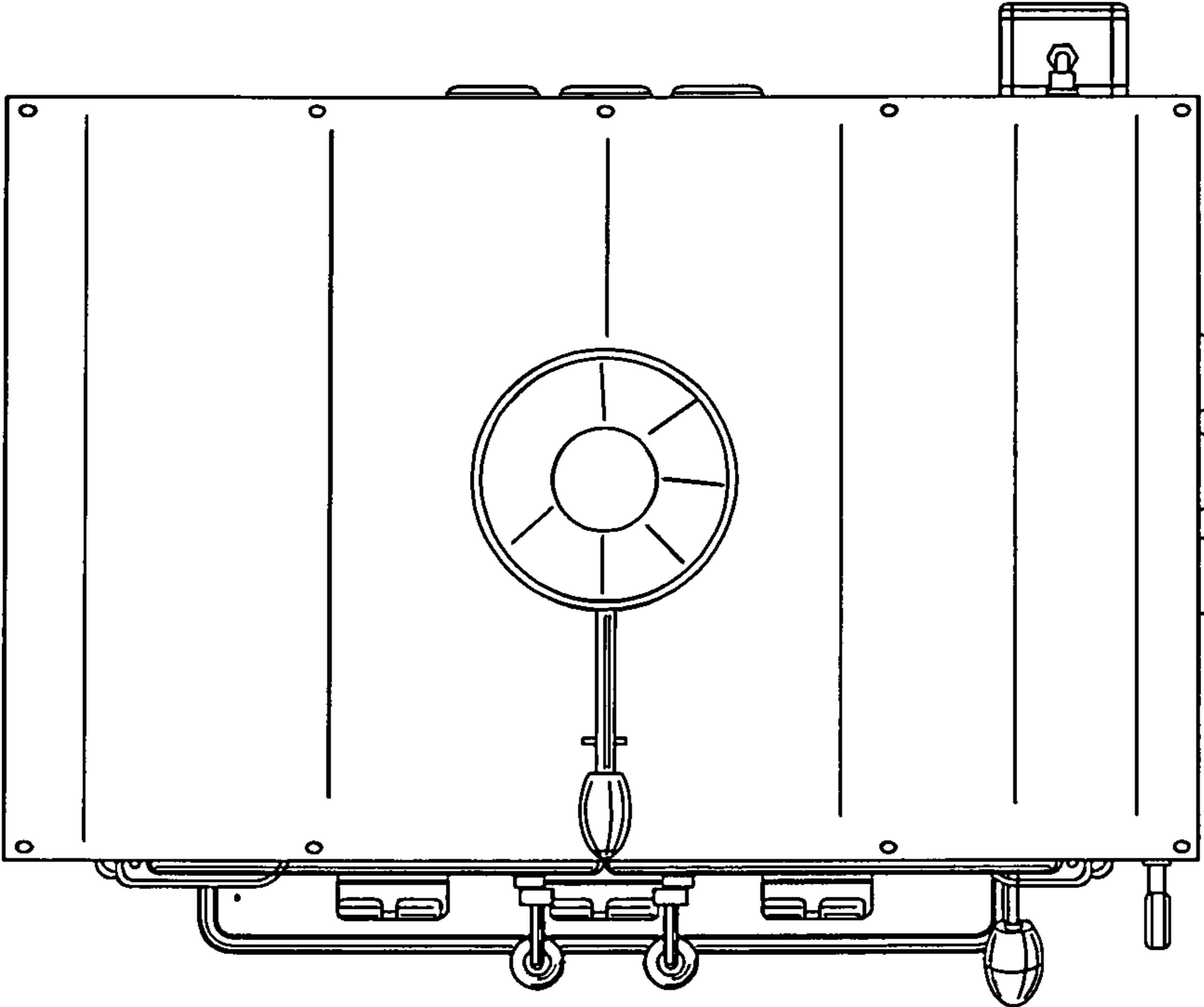


Fig. 6

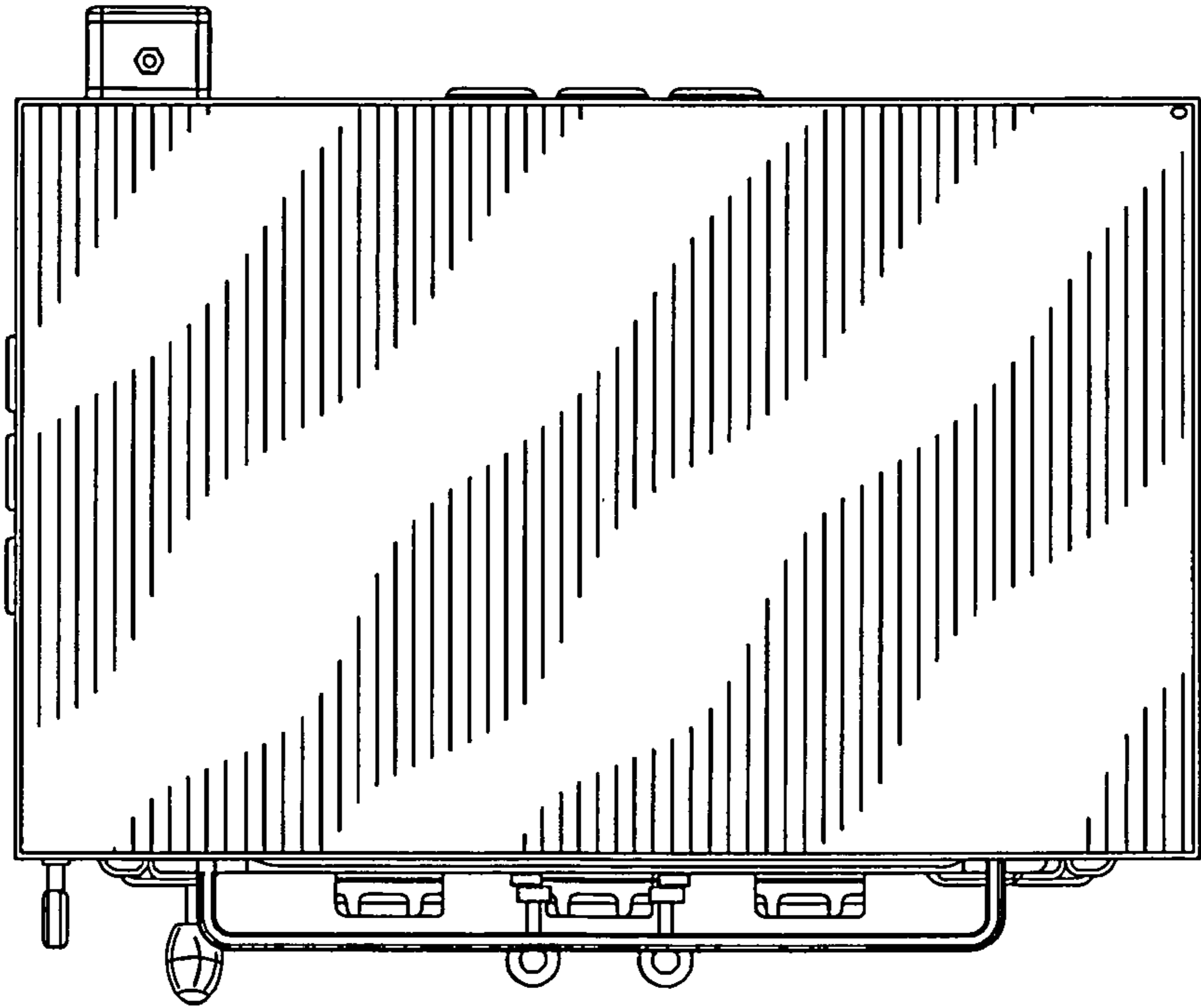


Fig. 7