



US00D715080S

(12) **United States Design Patent**
Thornley

(10) **Patent No.:** **US D715,080 S**
(45) **Date of Patent:** **** Oct. 14, 2014**

(54) **UTILITY TABLE**

(71) Applicant: **David Thornley**, Logan, UT (US)

(72) Inventor: **David Thornley**, Logan, UT (US)

(**) Term: **14 Years**

(21) Appl. No.: **29/452,034**

(22) Filed: **Apr. 11, 2013**

(51) **LOC (10) Cl.** **06-06**

(52) **U.S. Cl.**
USPC **D6/707.19**

(58) **Field of Classification Search**

CPC A47B 2200/001; A47B 13/08; A47B
13/081; A47B 96/18; A47B 2013/08; A47B
37/00; A47B 3/00

USPC D6/641, 642, 656, 656.19, 707, 707.19,
D6/691; 108/24, 25, 50.01, 50.02; D7/698

See application file for complete search history.

(56) **References Cited**

U.S. PATENT DOCUMENTS

3,290,108 A * 12/1966 Beckman et al. 312/281
D208,709 S * 9/1967 Barecki D6/397
D215,308 S * 9/1969 Barnes D6/425

D584,539 S * 1/2009 High D6/480
D674,625 S * 1/2013 Mecherle et al. D6/691
2013/0186306 A1* 7/2013 Thornley 108/24

* cited by examiner

Primary Examiner — Janice Seeger

(74) *Attorney, Agent, or Firm* — Project CIP; Preston P. Frischknecht

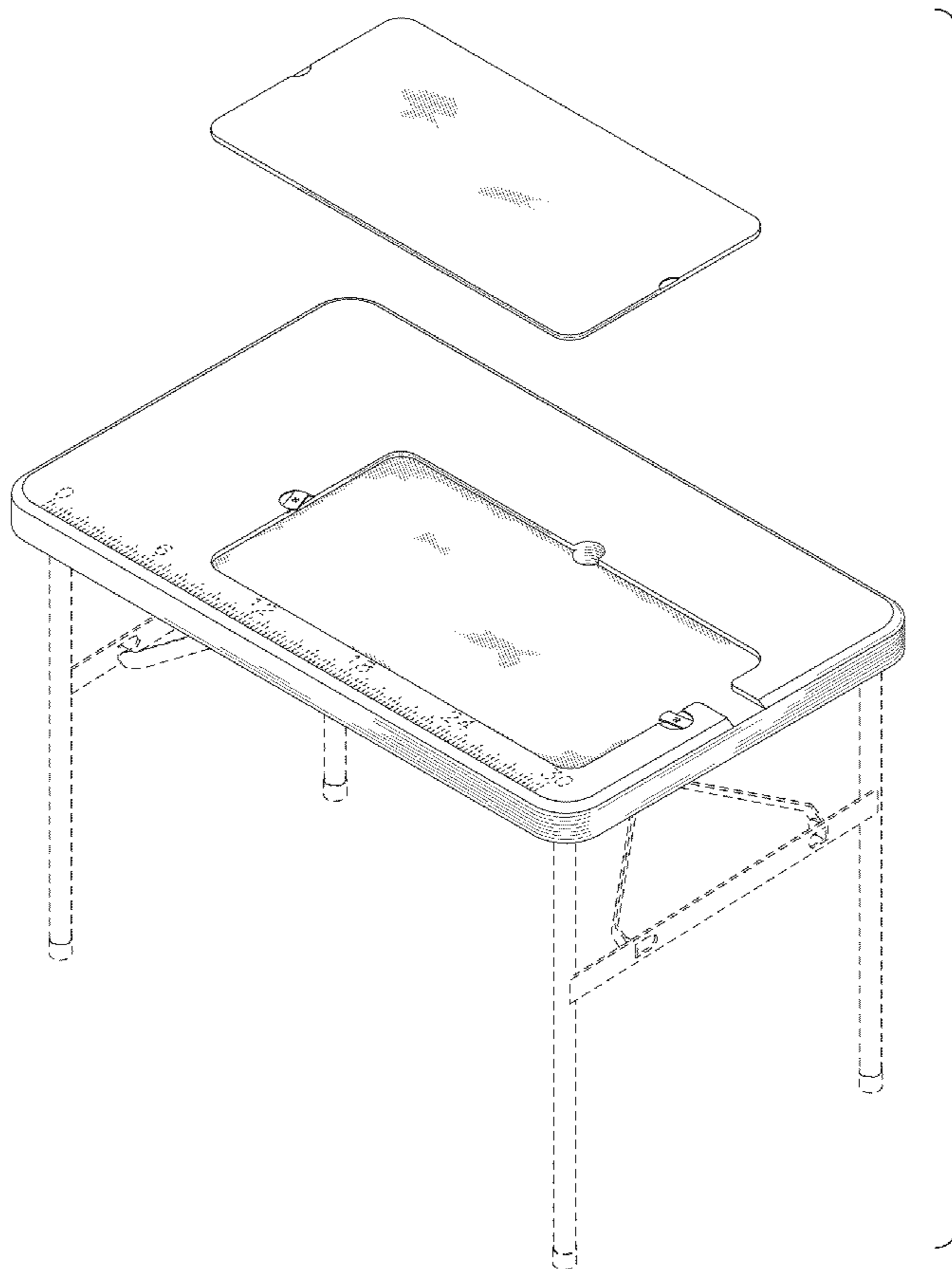
(57) **CLAIM**

The ornamental design for a utility table, as shown.

DESCRIPTION

FIG. 1 is an isometric view showing the design with an exploded, detachable cutting board;
FIG. 2 is an alternate isometric view showing the design with the detachable cutting board releasably attached to the table;
FIG. 3 is a top view showing the design;
FIG. 4 is a bottom view showing the design;
FIG. 5 is a front view showing the design;
FIG. 6 is a back view showing the design;
FIG. 7 is a left view showing the design; and,
FIG. 8 is a right view showing the design.
The broken lines are for environmental purposes only and form no part of the claimed design.

1 Claim, 6 Drawing Sheets



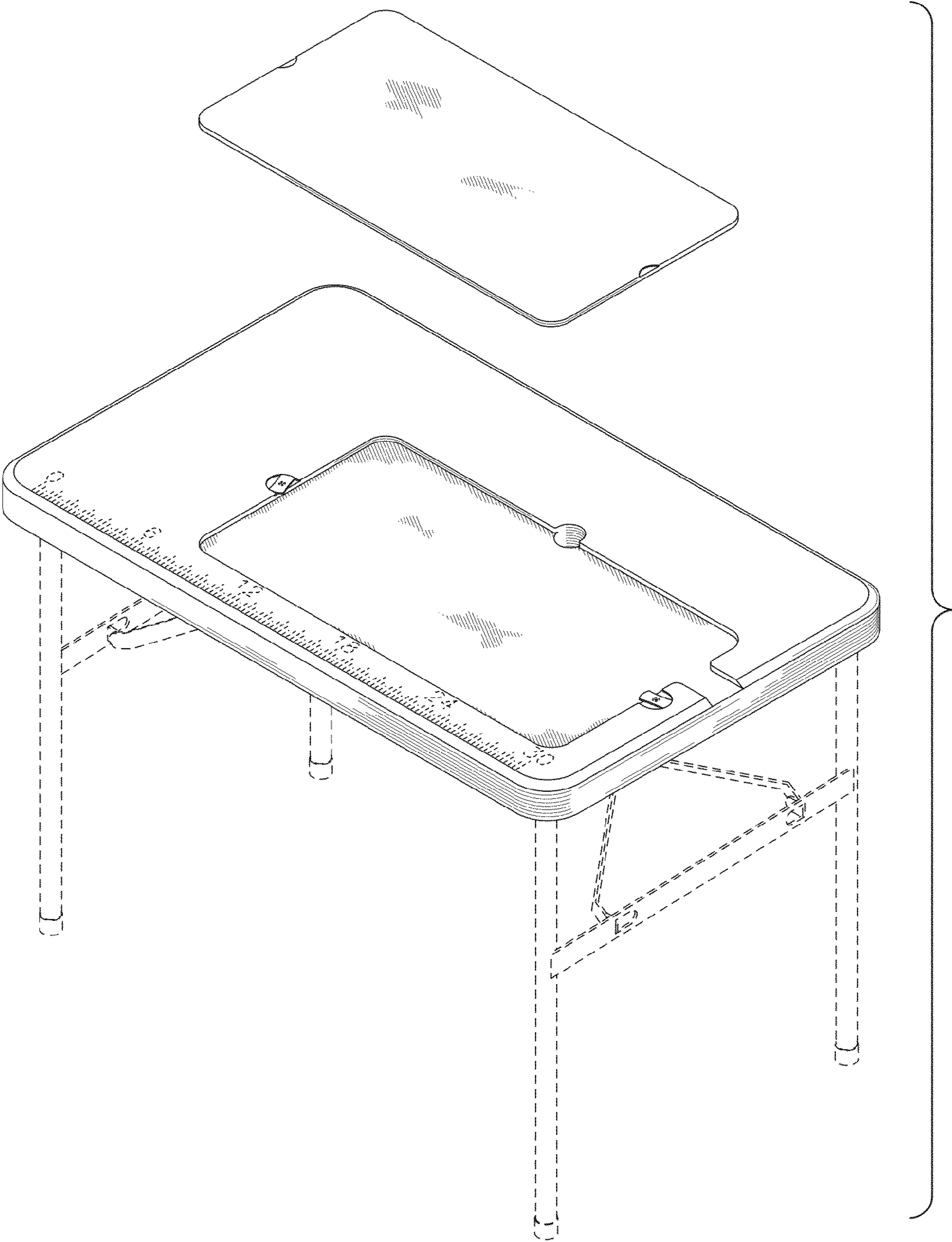


FIG. 1

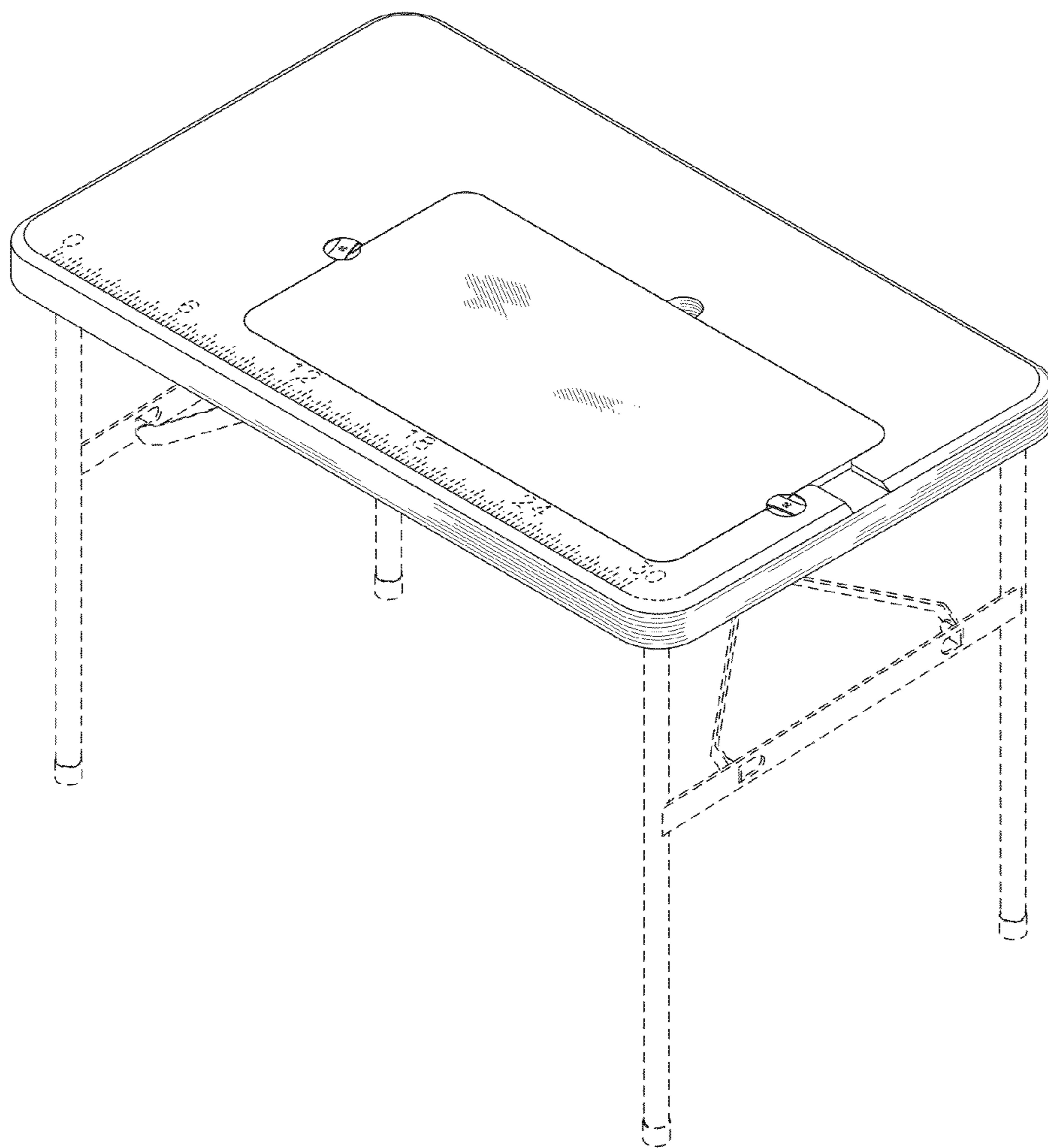


FIG. 2

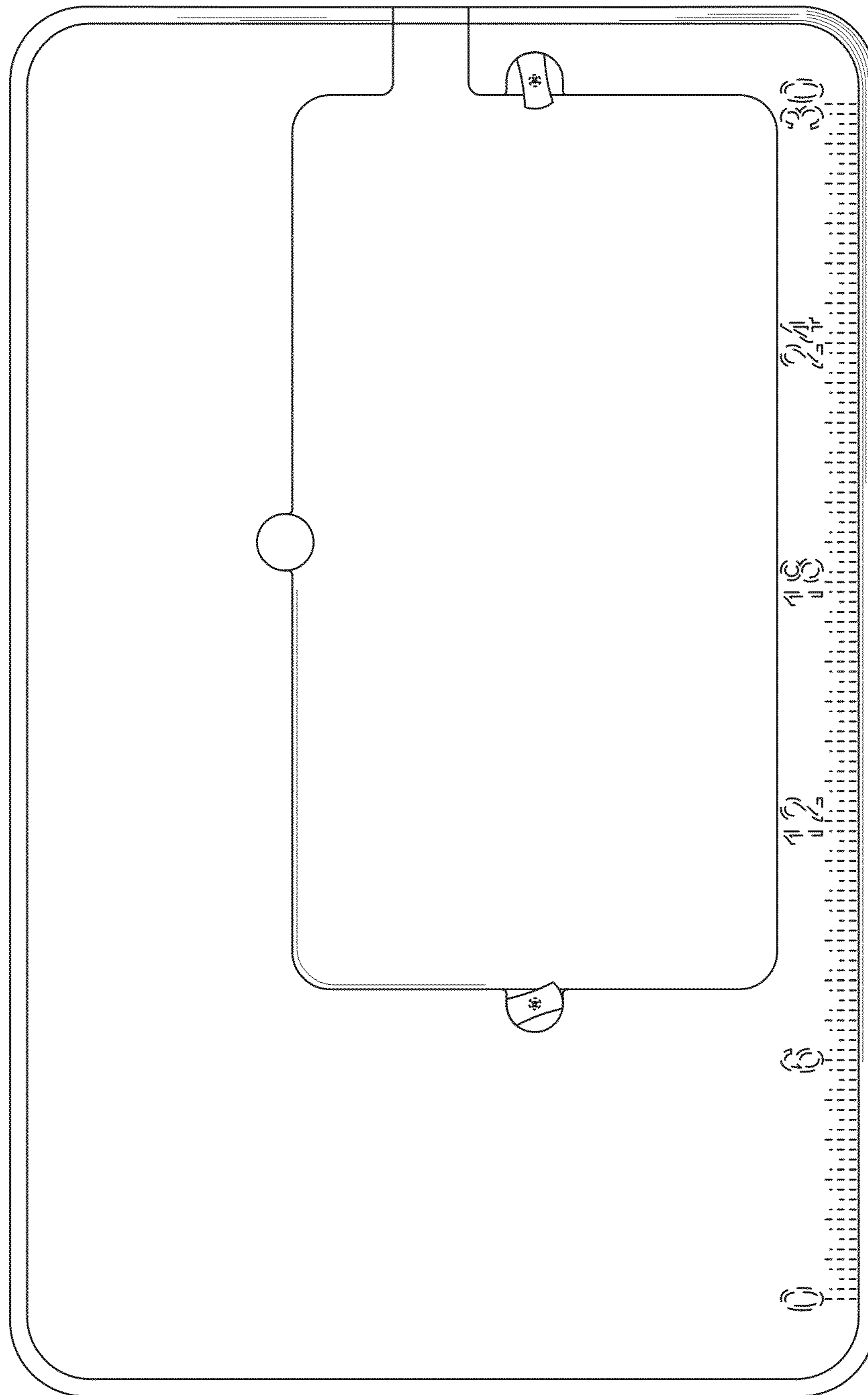


FIG. 3

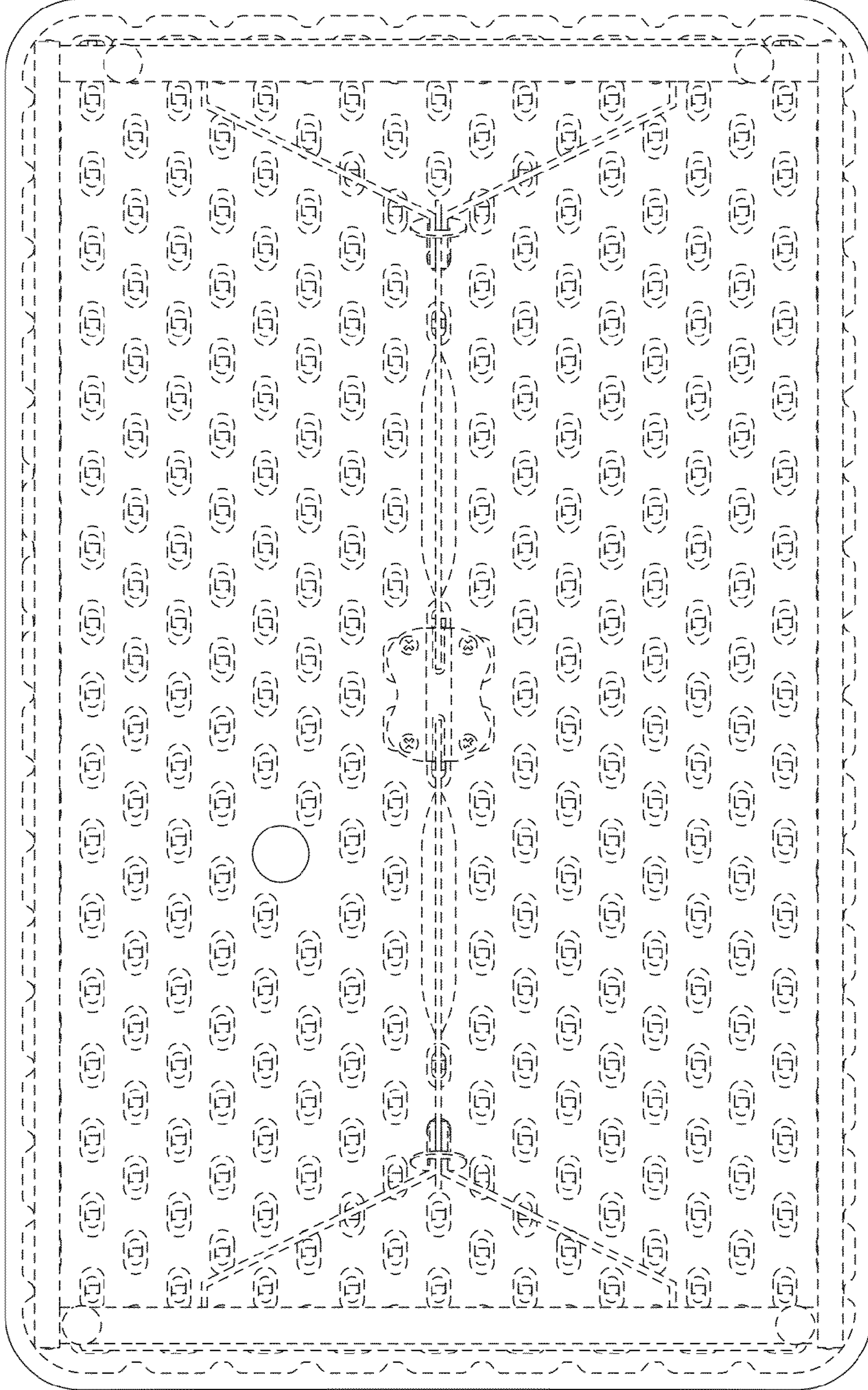


FIG. 4

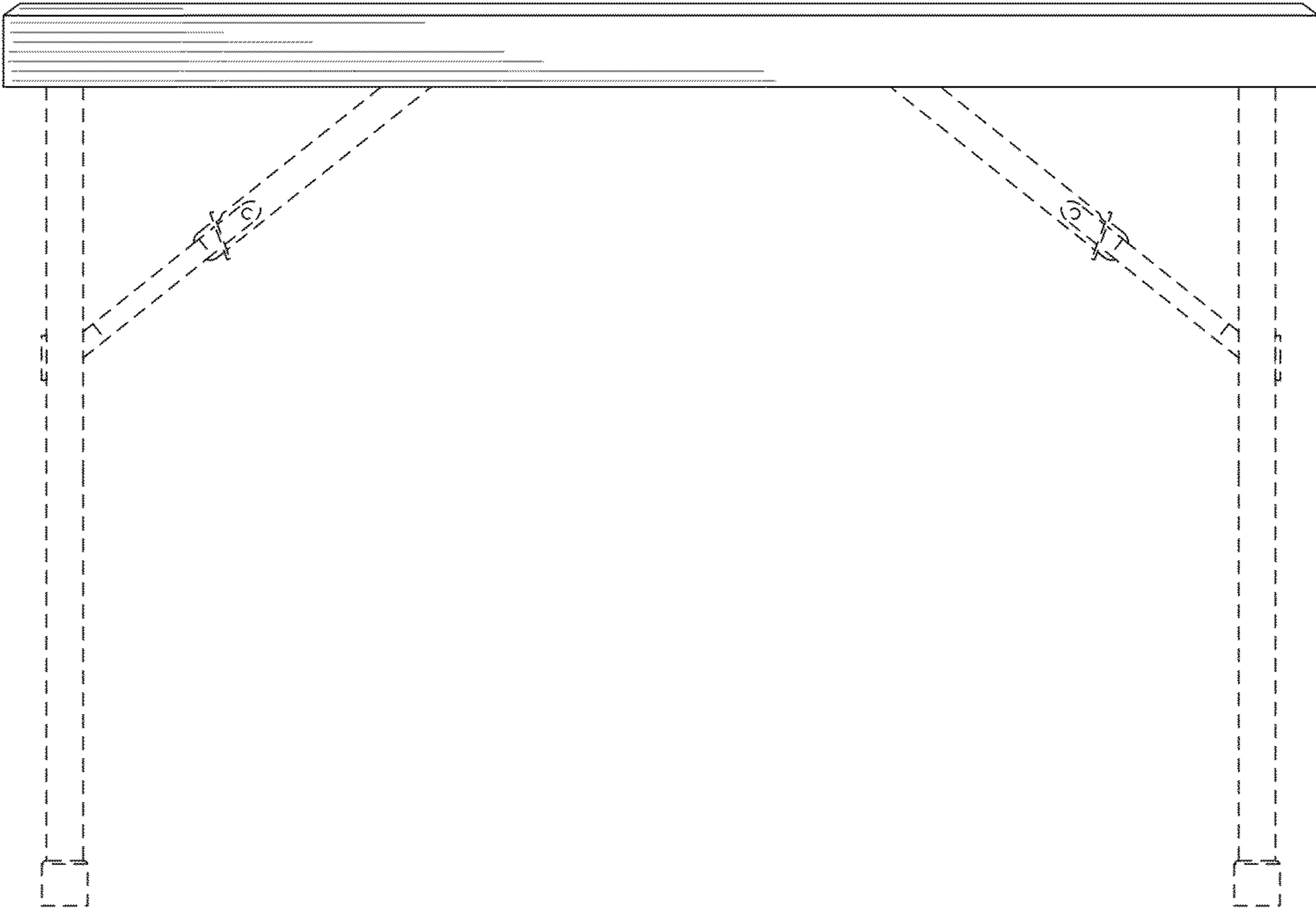


FIG. 5

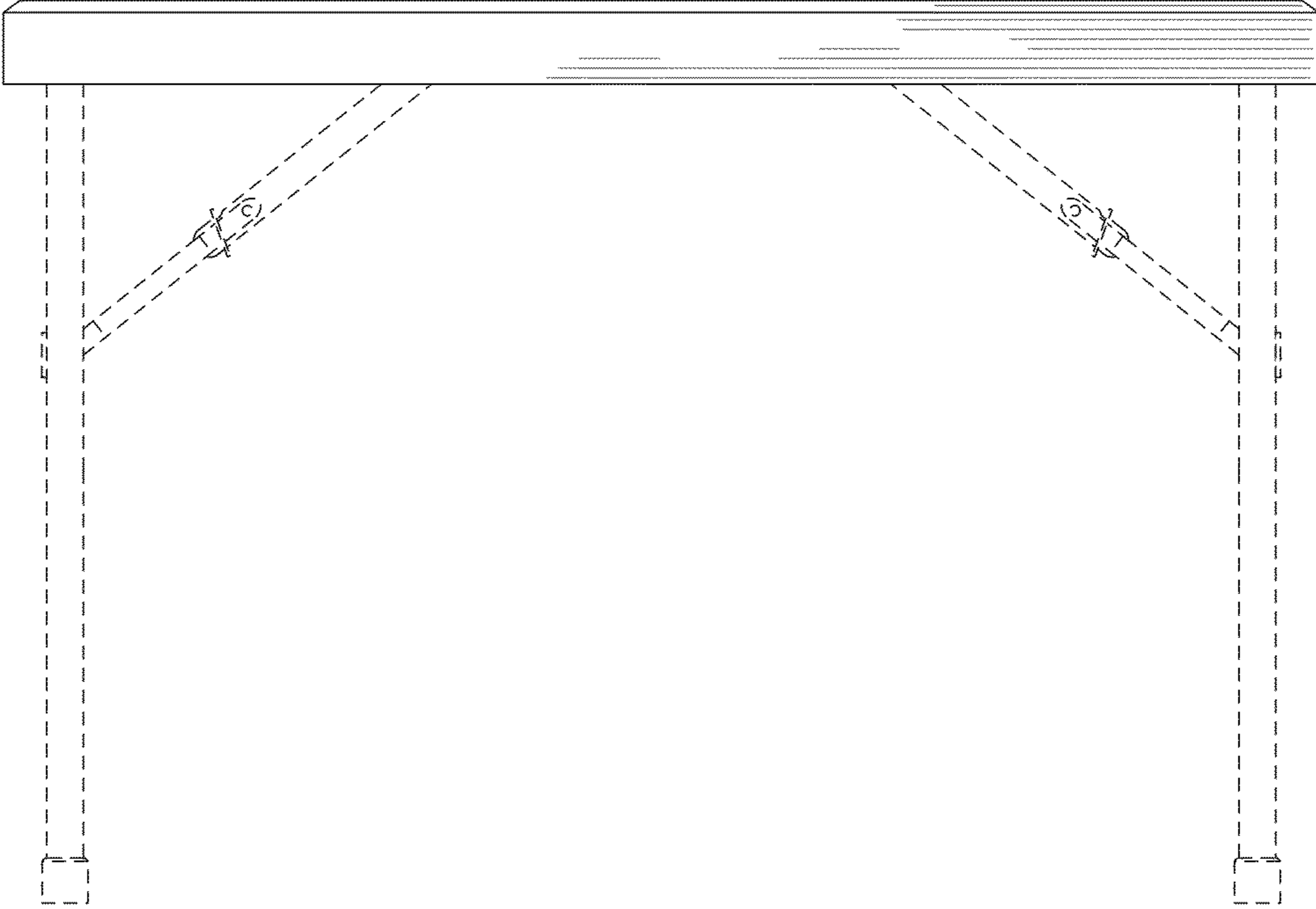


FIG. 6

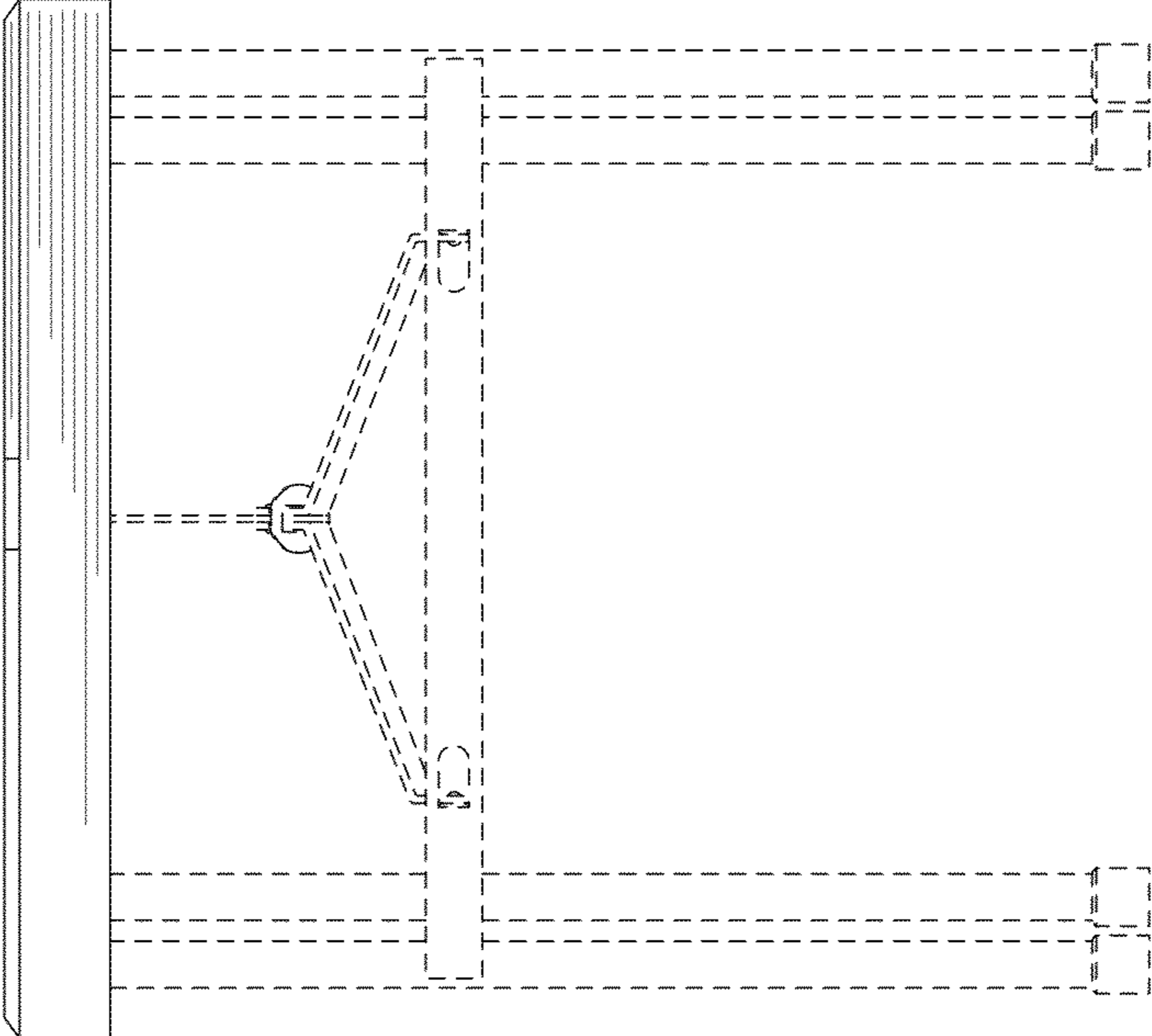


FIG. 8

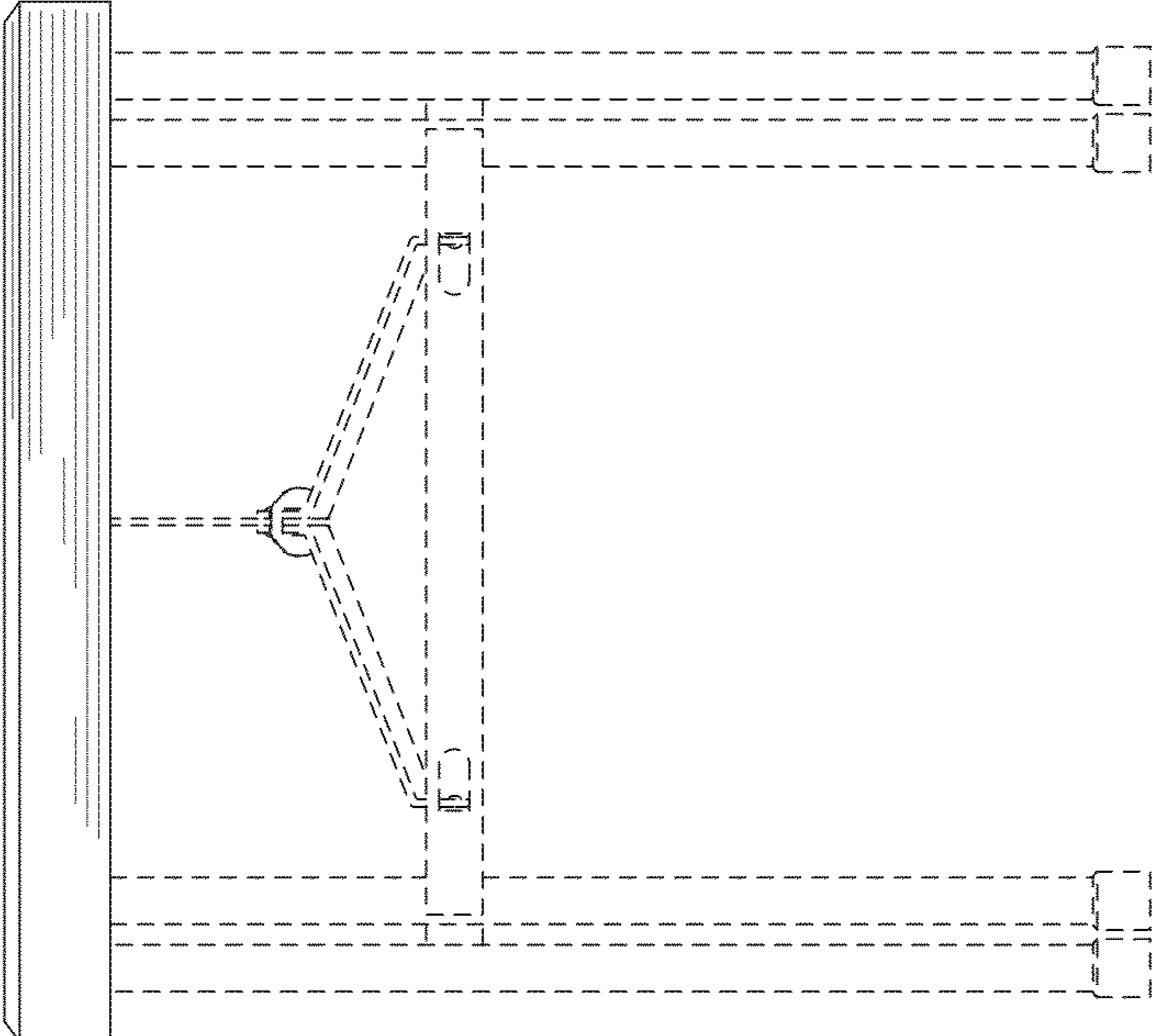


FIG. 7