



US00D715075S

(12) **United States Design Patent**  
**Hughes**

(10) **Patent No.:** **US D715,075 S**

(45) **Date of Patent:** **\*\* \*Oct. 14, 2014**

(54) **MATTRESS**

(71) Applicant: **Michael L Hughes**, Thousand Oaks, CA (US)

(72) Inventor: **Michael L Hughes**, Thousand Oaks, CA (US)

(73) Assignee: **PlushBeds, Inc.**, Wilmington, DE (US)

(\*) Notice: This patent is subject to a terminal disclaimer.

(\*\*) Term: **14 Years**

(21) Appl. No.: **29/452,660**

(22) Filed: **Apr. 19, 2013**

(51) **LOC (10) Cl.** ..... **06-09**

(52) **U.S. Cl.**  
USPC ..... **D6/605**

(58) **Field of Classification Search**  
USPC ..... D6/595, 596, 601, 604, 605, 606;  
5/690, 706, 716, 717, 739, 740, 657.5,  
5/907; D1/100; D28/8.1; D25/113;  
D9/414, 416  
See application file for complete search history.

(56) **References Cited**

**U.S. PATENT DOCUMENTS**

1,762,106 A \* 6/1930 Pittoni ..... 5/739  
2,609,548 A \* 9/1952 Doane ..... 5/692  
2,614,272 A \* 10/1952 Morner ..... 5/655.3  
2,859,455 A \* 11/1958 Koenigsberg ..... 5/740

2,973,526 A \* 3/1961 Wetzler ..... 5/737  
3,047,888 A \* 8/1962 Shecter et al. .... 428/218  
D616,236 S \* 5/2010 Morrison ..... D6/596  
D621,197 S \* 8/2010 Gladney et al. .... D6/605  
D622,531 S \* 8/2010 Morrison et al. .... D6/605  
D662,753 S \* 7/2012 Shive ..... D6/605  
D670,129 S \* 11/2012 Price ..... D6/605  
D687,655 S \* 8/2013 Price ..... D6/605

\* cited by examiner

*Primary Examiner* — Janice Seeger

(74) *Attorney, Agent, or Firm* — White-Welker & Welker, LLC; Matthew T. Welker, Esq.

(57) **CLAIM**

The ornamental design for a mattress, as shown and described.

**DESCRIPTION**

This application is related to U.S. patent application Ser. No. 29/446,046, entitled "Mattress", filed on Feb. 20, 2013.

FIG. 1 is a front, top perspective view of a mattress showing the design;

FIG. 2 is a front view thereof, the rear view being a mirror image thereof;

FIG. 3 is a left side view thereof, the right side being a mirror image thereof;

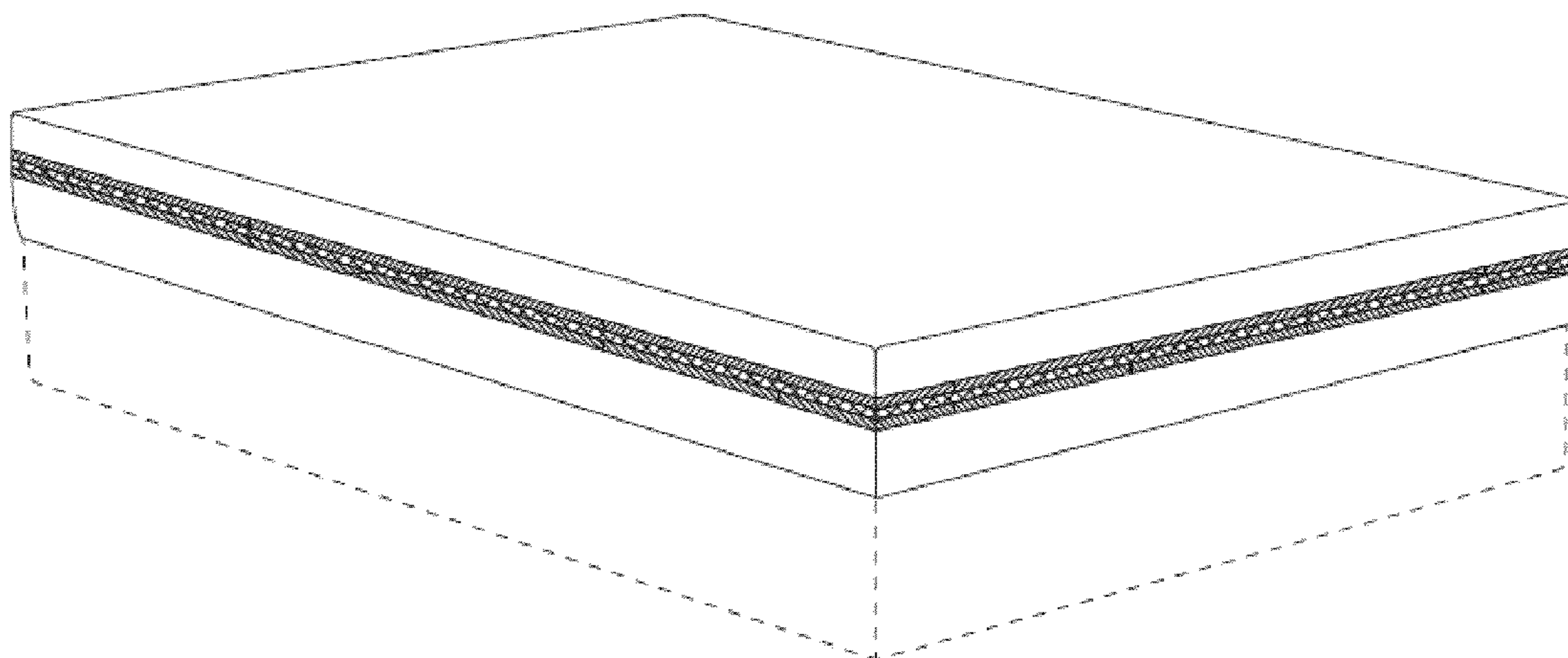
FIG. 4 is a perspective view showing the mattress in an alternate environment on a bed frame;

FIG. 5 is a perspective view showing the mattress in a second alternate environment and in an articulated position; and,

FIG. 6 is an enlarged and more detailed view of the mattress design illustrating the three line design.

The surface shading indicates a contrast in appearance.

**1 Claim, 6 Drawing Sheets**



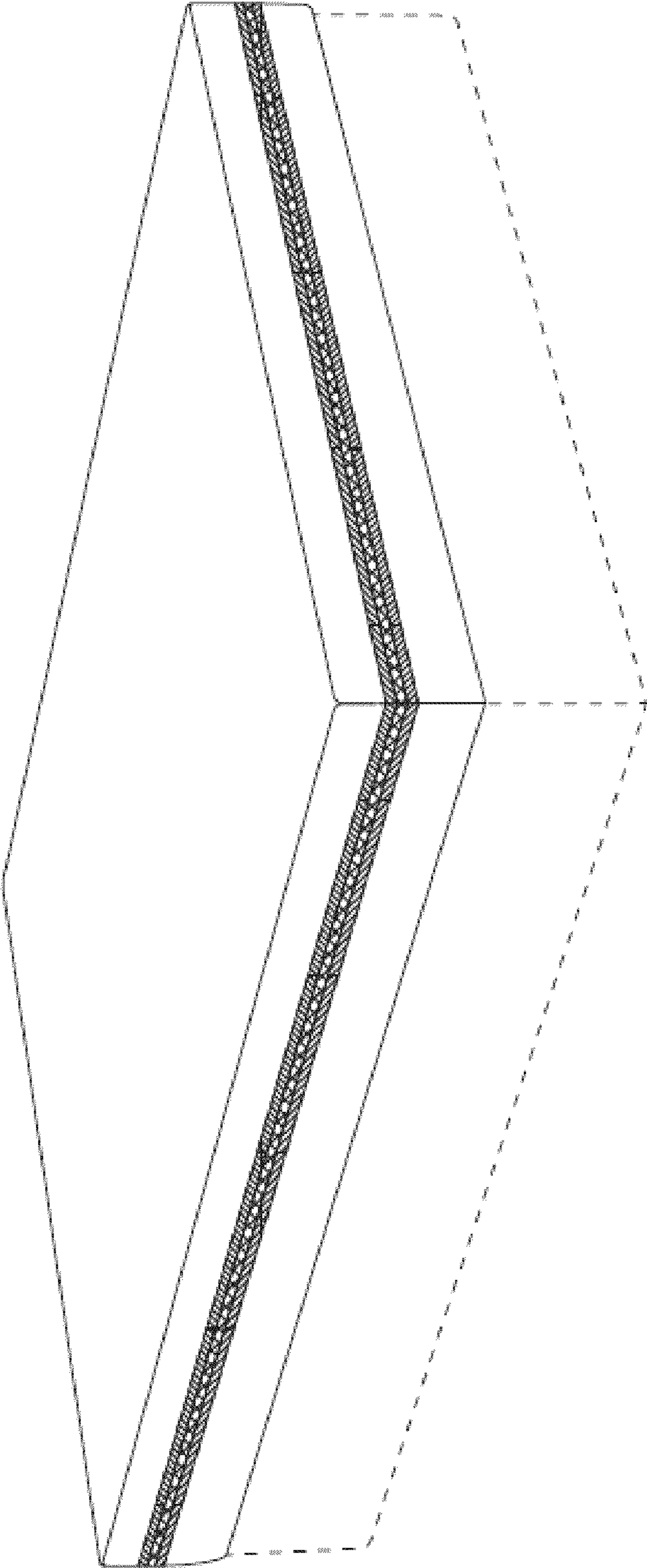


FIG. 1

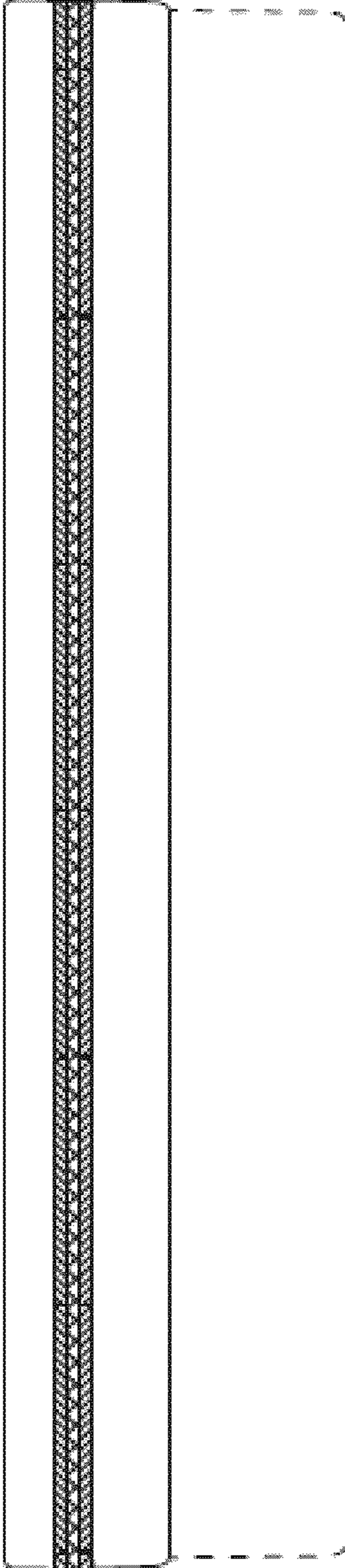


FIG. 2

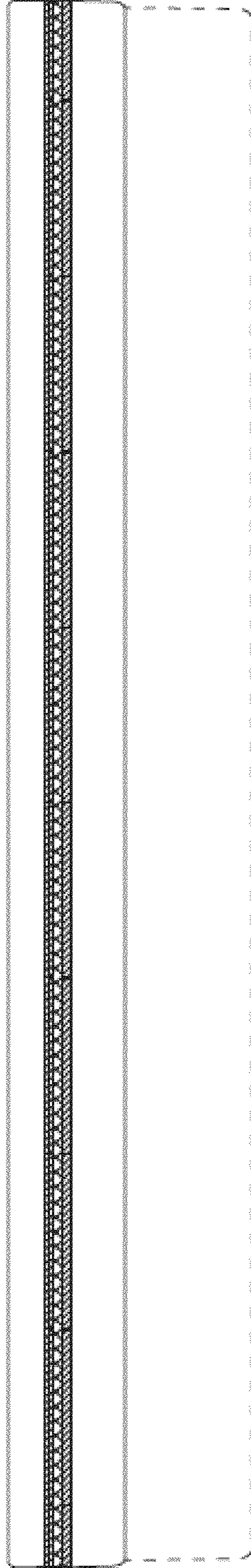


FIG. 3



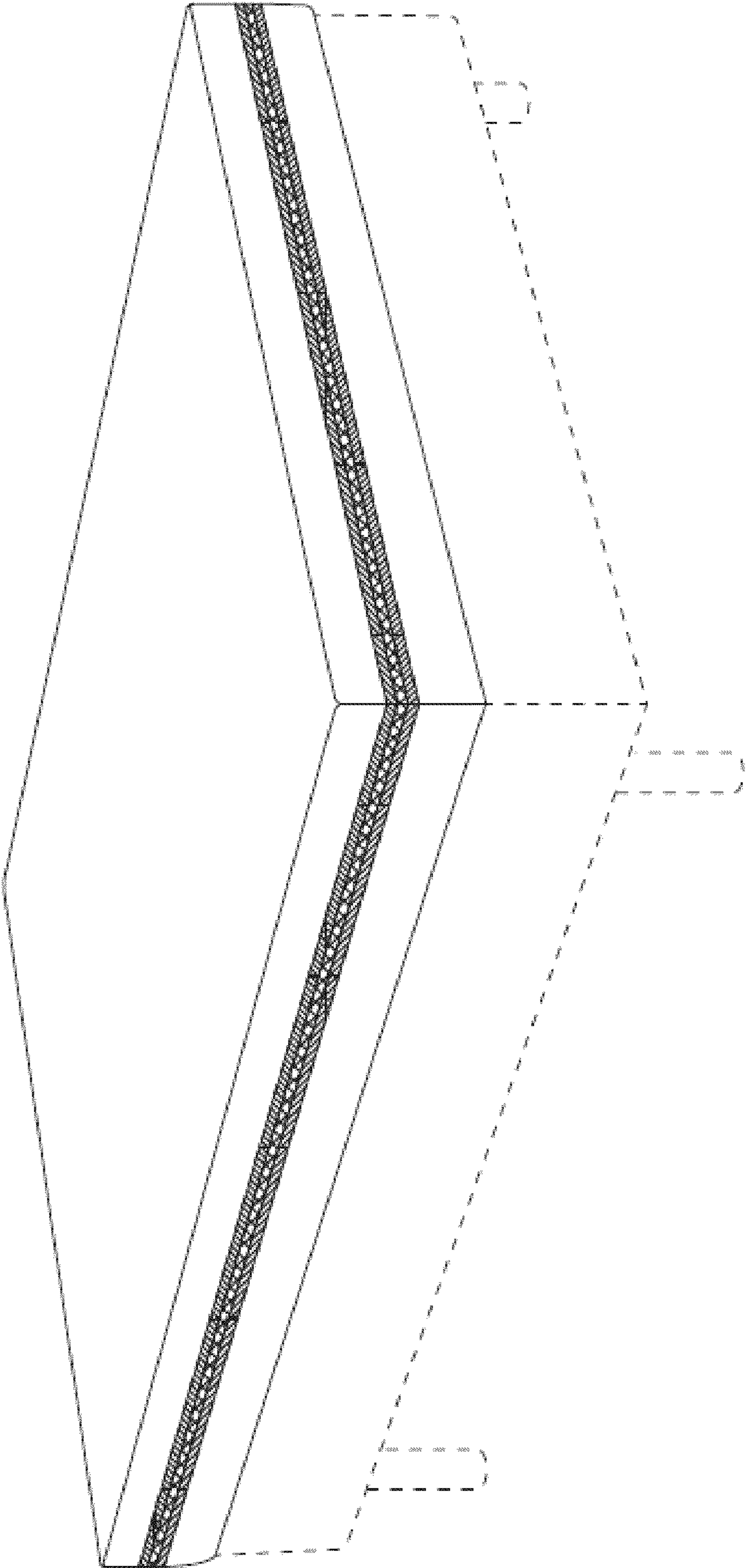


FIG. 4

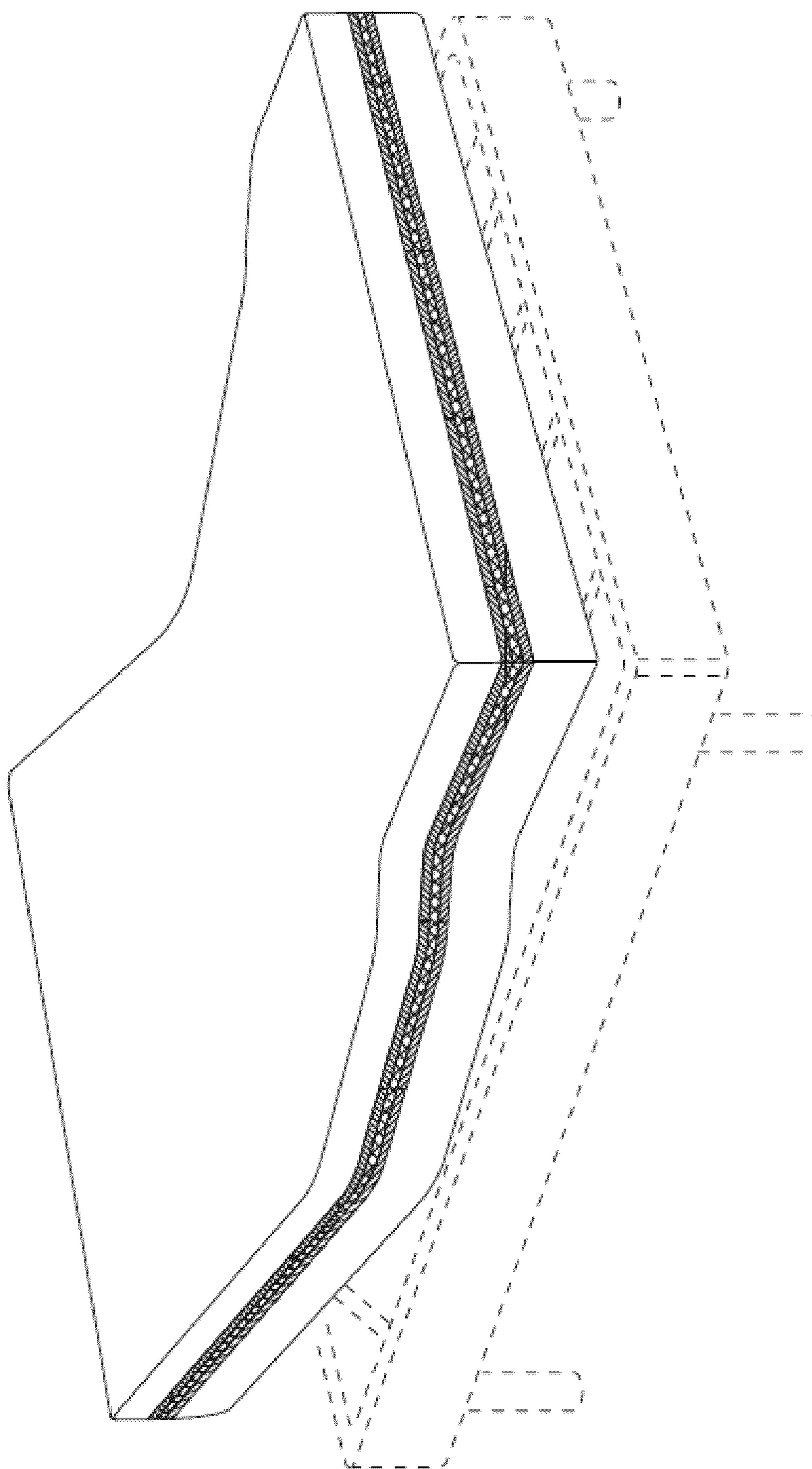


FIG. 5

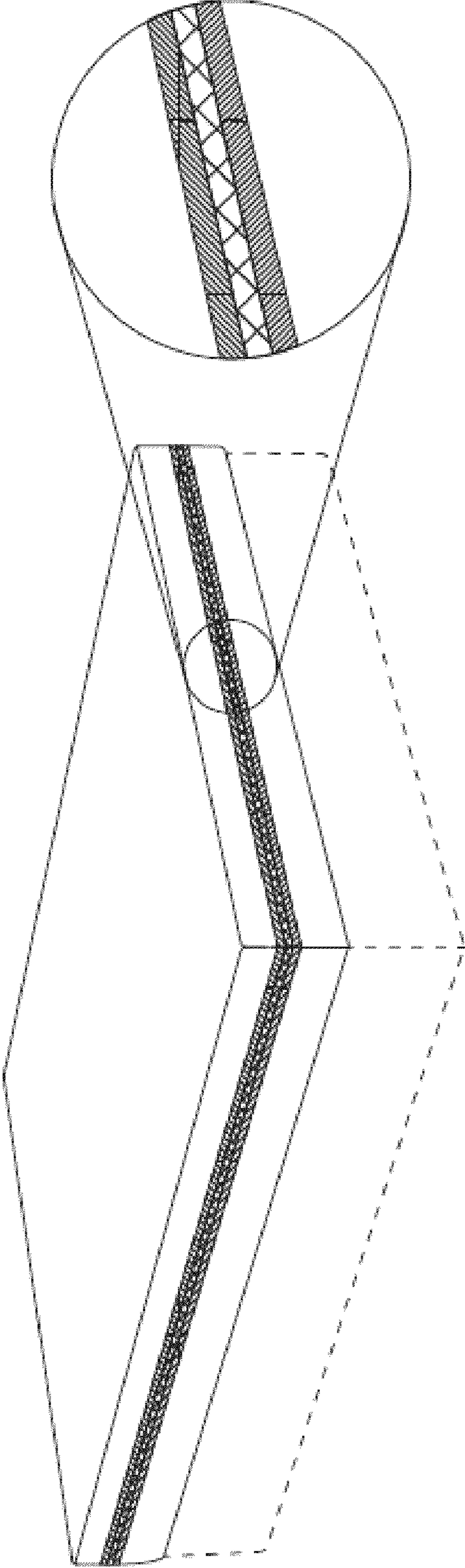


FIG. 6