



US00D715073S

(12) **United States Design Patent**
Simonetti

(10) **Patent No.:** **US D715,073 S**
(45) **Date of Patent:** **** Oct. 14, 2014**

(54) **SHELF**

(71) Applicant: **Lorenzo Simonetti**, San Marcello (IT)

(72) Inventor: **Lorenzo Simonetti**, San Marcello (IT)

(73) Assignee: **Plast-Meccanica Societa' per Azioni**,
Castellbellino (AN) (IT)

(**) Term: **14 Years**

(21) Appl. No.: **29/487,490**

(22) Filed: **Apr. 9, 2014**

(51) **LOC (10) Cl.** **06-04**

(52) **U.S. Cl.**
USPC **D6/574**

(58) **Field of Classification Search**

USPC D6/329, 396, 417, 552, 553, 567, 574,
D6/571; 108/152; 211/13.1, 49.1, 60.1, 64,
211/70.5, 86.01, 87.01, 88.01, 89.01,
211/181.1; 248/560, 121, 175, 200, 302,
248/304, 309.1, 310, 312

See application file for complete search history.

(56) **References Cited**

U.S. PATENT DOCUMENTS

D321,621 S * 11/1991 Stumpf et al. D6/574
D519,769 S * 5/2006 Hoernig D6/574
D622,527 S * 8/2010 Wang D6/570
D665,611 S * 8/2012 Blakley D6/574

* cited by examiner

Primary Examiner — Brian N Vinson

(74) *Attorney, Agent, or Firm* — Egbert Law Offices, PLLC

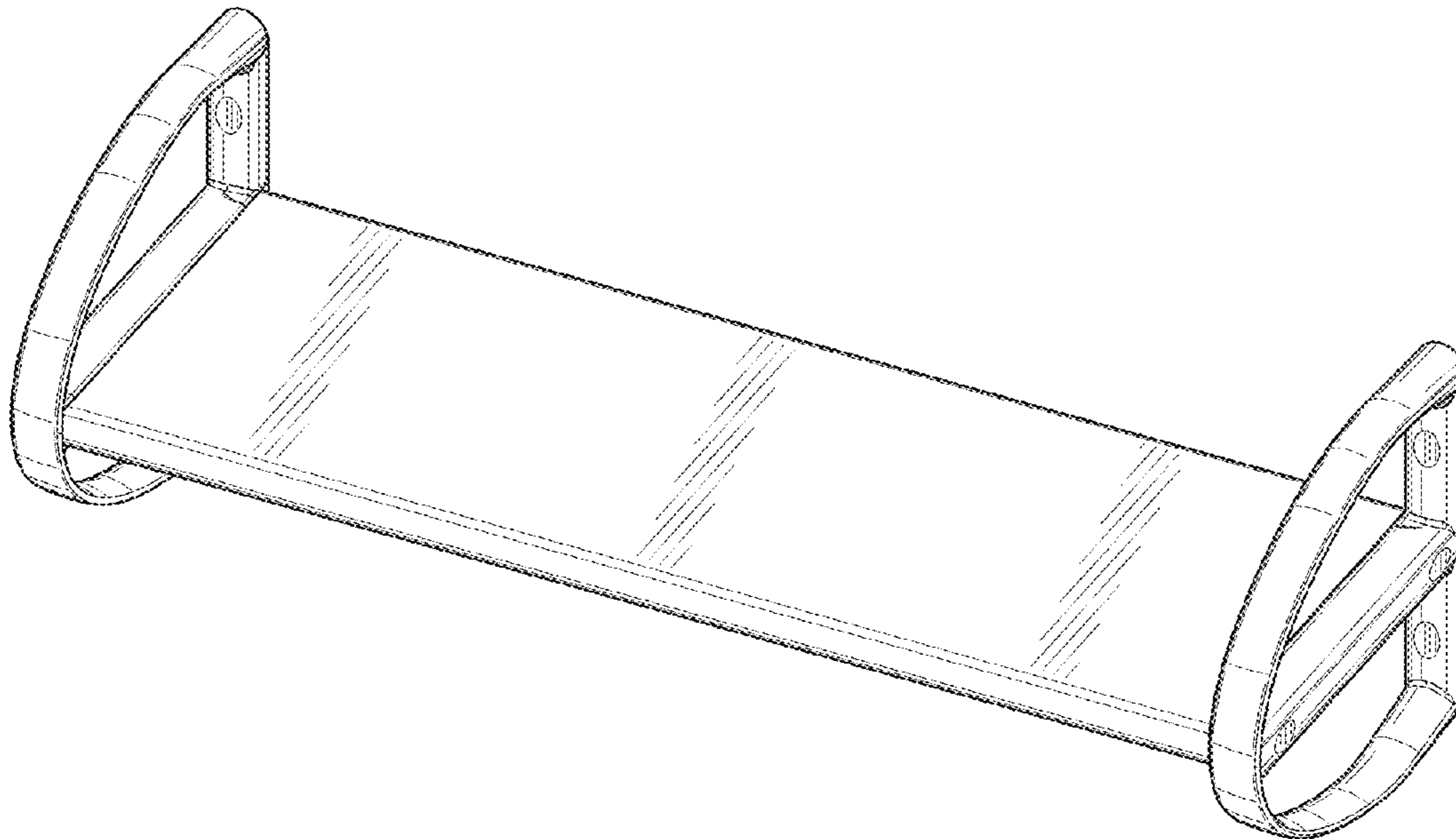
(57) **CLAIM**

The ornamental design for a shelf, as shown and described.

DESCRIPTION

FIG. 1 is a perspective view of the shelf showing my design.
FIG. 2 is a front view thereof;
FIG. 3 is a rear view thereof;
FIG. 4 is a top view thereof;
FIG. 5 is a bottom view thereof;
FIG. 6 is a side view thereof; and,
FIG. 7 is an opposite side view thereof.
The broken line showing is included for the purpose of illustration and forms no part of the claimed design.

1 Claim, 2 Drawing Sheets



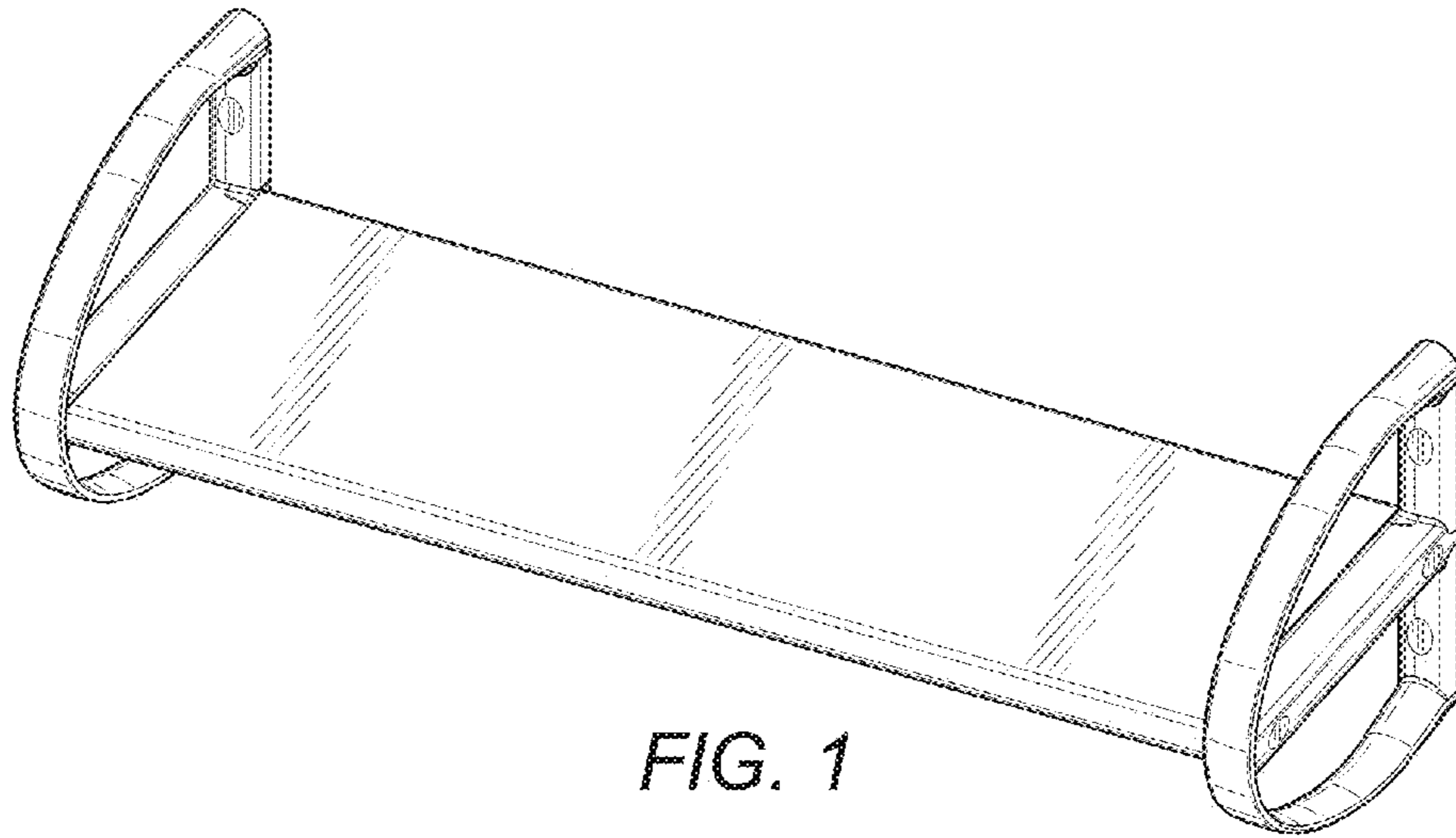


FIG. 1

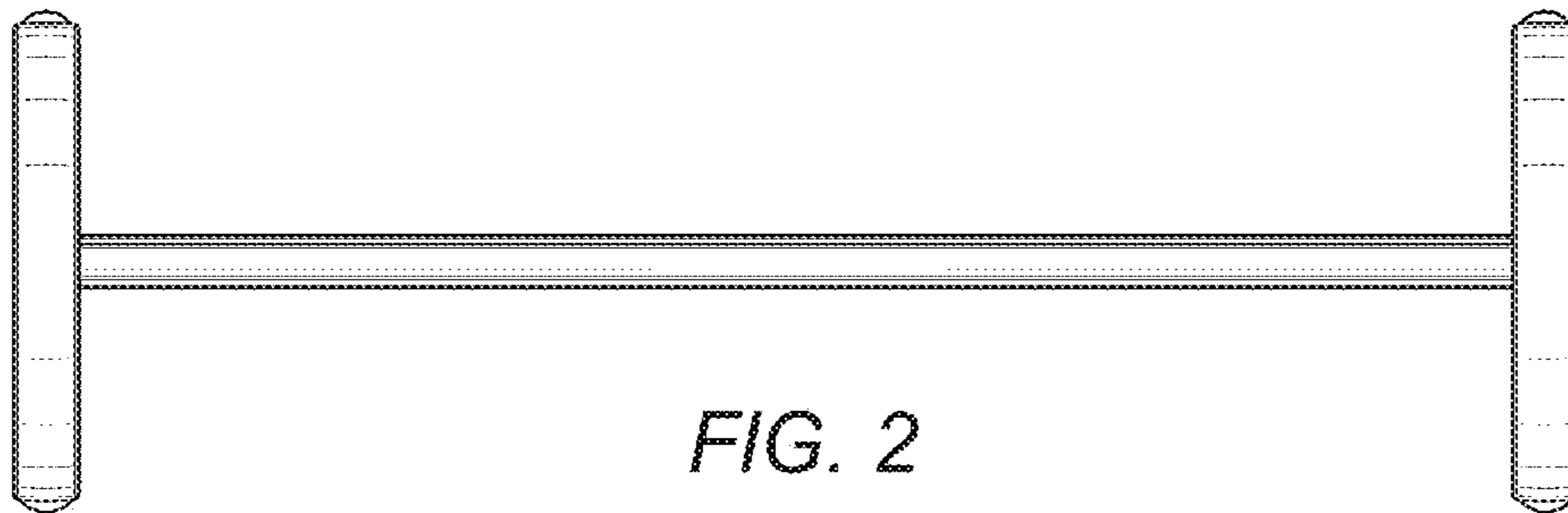


FIG. 2

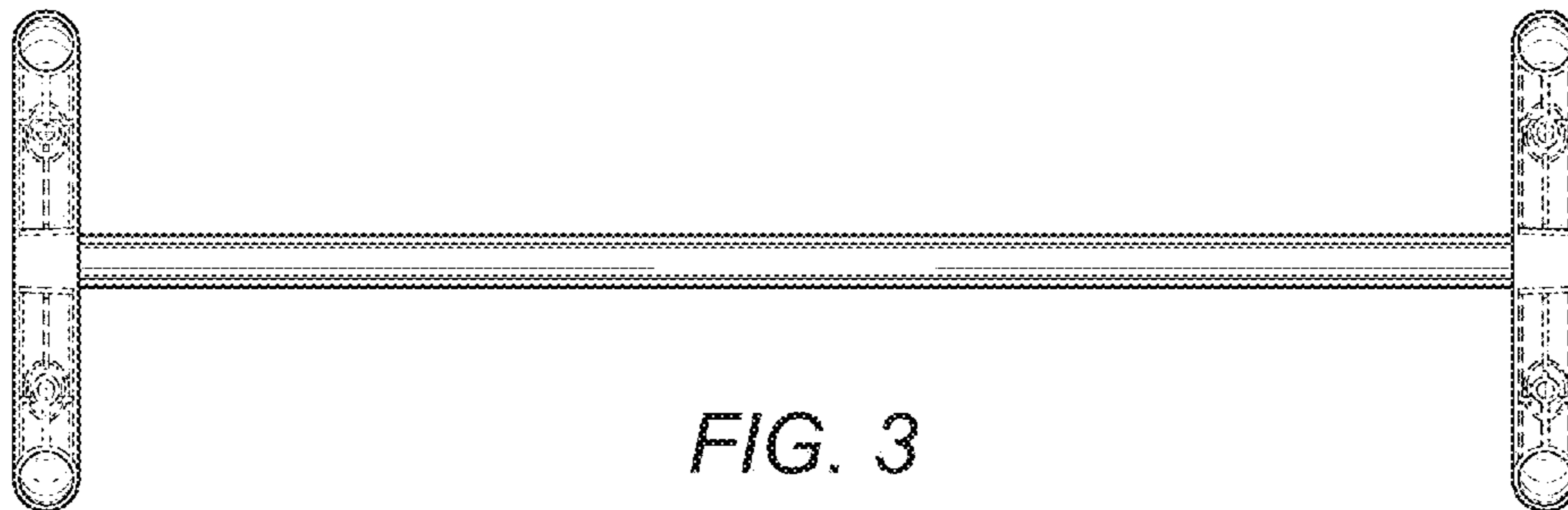


FIG. 3

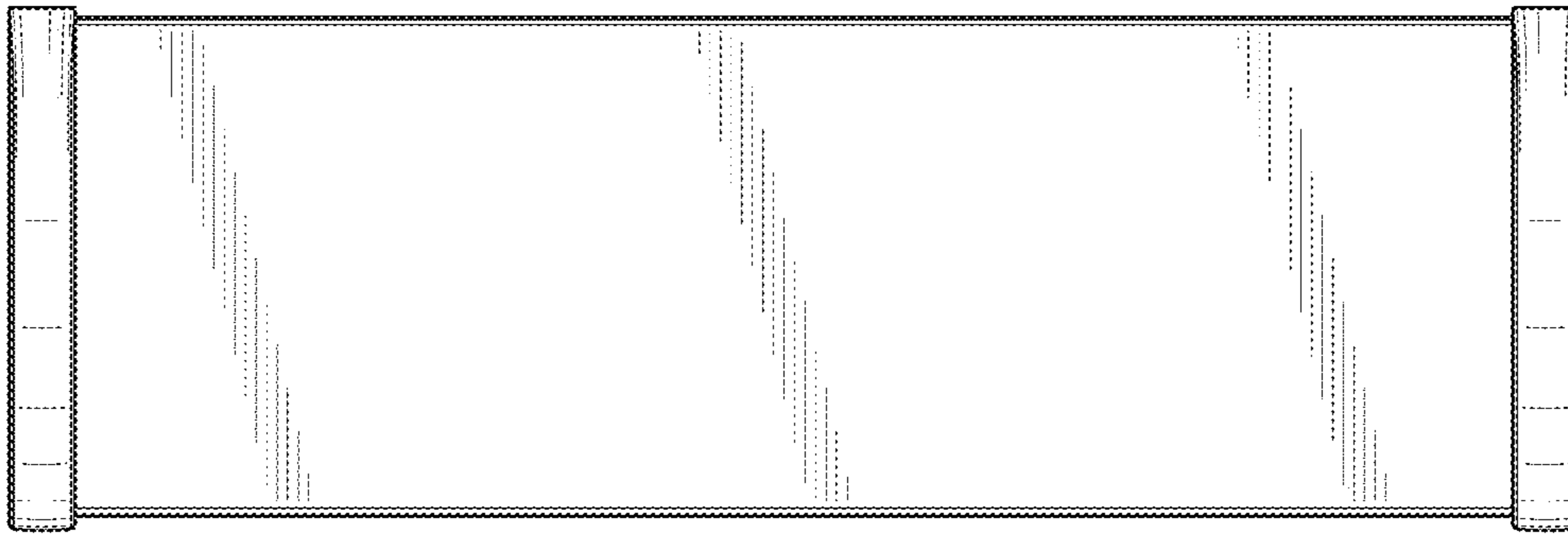


FIG. 4

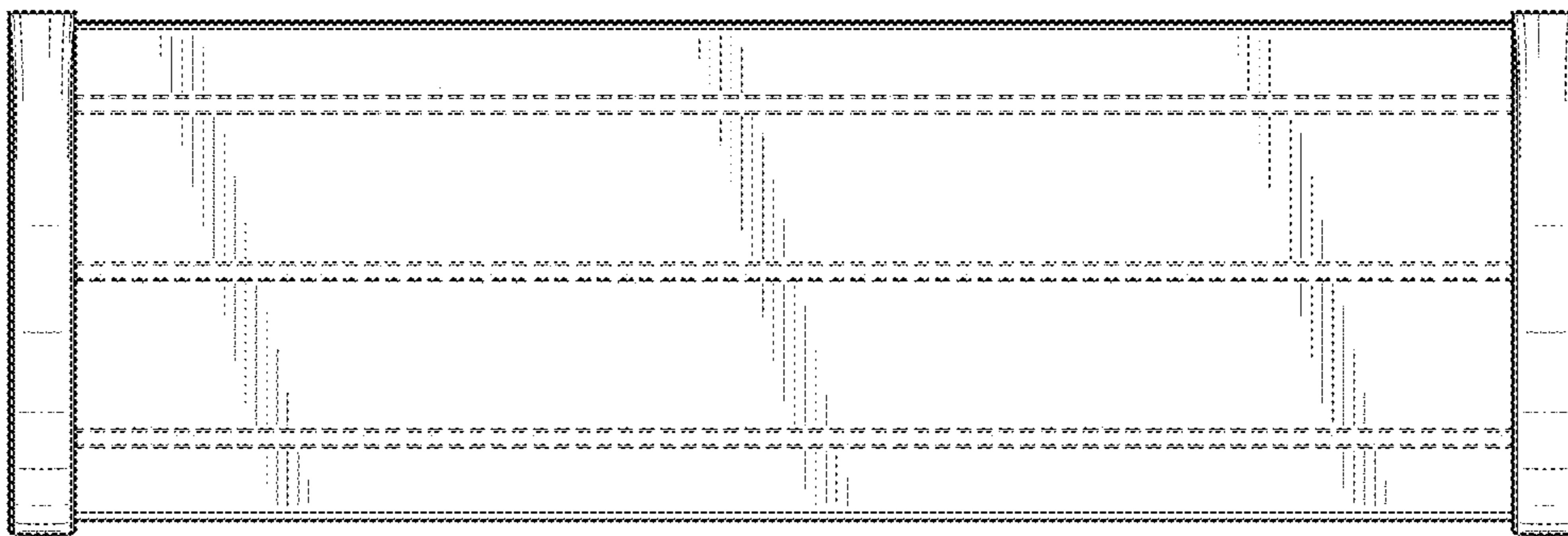


FIG. 5

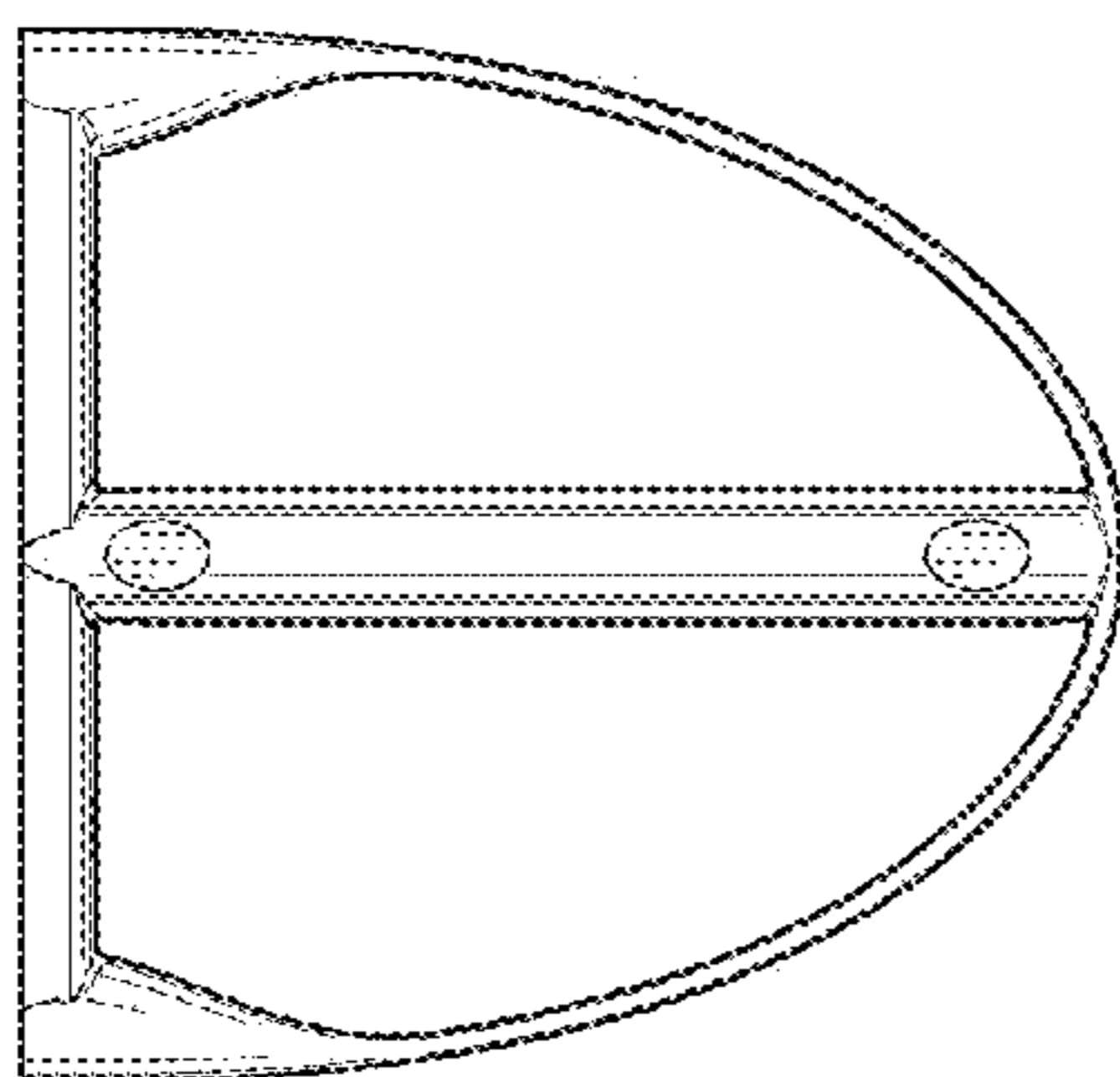


FIG. 6

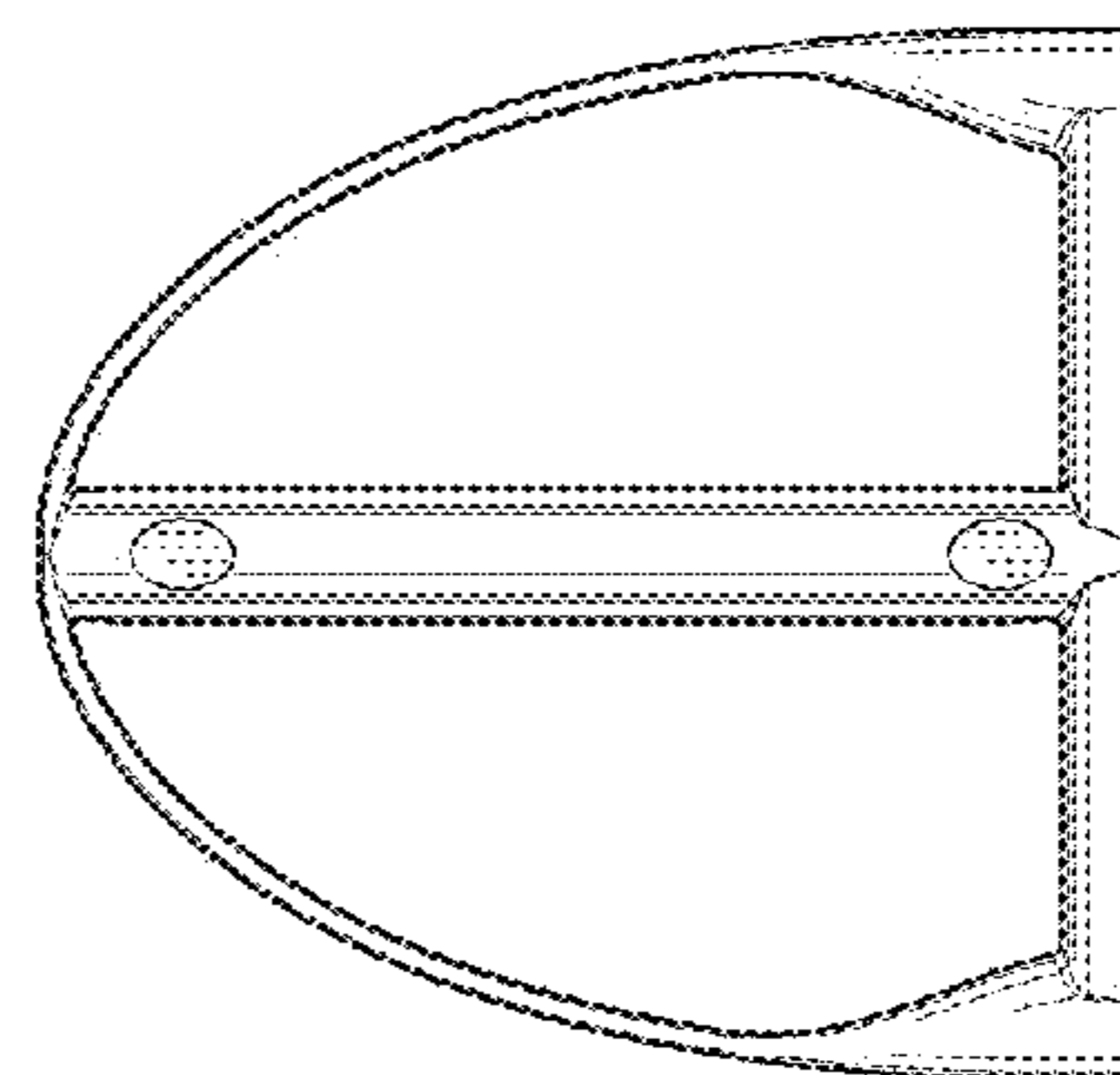


FIG. 7