



US00D715068S

(12) **United States Design Patent**
Chan

(10) **Patent No.:** **US D715,068 S**
(45) **Date of Patent:** **** Oct. 14, 2014**

(54) **CHAIR**

(71) Applicant: **Itoki Corporation**, Osaka (JP)

(72) Inventor: **Eric Chan**, New York, NY (US)

(73) Assignee: **Itoki Corporation**, Osaka-shi, Osaka (JP)

(**) Term: **14 Years**

(21) Appl. No.: **29/457,138**

(22) Filed: **Jun. 7, 2013**

(51) **LOC (10) Cl.** **06-01**

(52) **U.S. Cl.**
USPC **D6/366**

(58) **Field of Classification Search**
USPC D6/334–336, 344–356, 360–381, 388,
D6/403, 491–502, 692, 708, 716,
D6/716.2–716.46; 297/16.1, 22, 31, 35,
297/217.1, 228.12, 239, 256.16, 271.6,
297/284.4–284.5, 291, 297, 302.4, 411.2,
297/411.27–411.29, 411.43, 423.1, 423.12,
297/440.11, 440.15, 440.24, 448.1, 451.4,
297/452.13, 452.19, 452.21, 452.27,
297/452.29, 452.3, 452.41, 452.56, 452.64
See application file for complete search history.

(56) **References Cited**

U.S. PATENT DOCUMENTS

D493,626 S *	8/2004	James	D6/366
D514,832 S *	2/2006	Tsai	D6/366
D558,995 S *	1/2008	Igarashi	D6/366
D559,571 S *	1/2008	Meda	D6/366
D559,572 S *	1/2008	Igarashi	D6/366
D582,170 S *	12/2008	Chi	D6/366
D600,462 S *	9/2009	Ooki et al.	D6/366
D613,085 S *	4/2010	Fujita	D6/366
D613,087 S *	4/2010	Fujita	D6/366
D636,614 S *	4/2011	Sander et al.	D6/366
D644,862 S *	9/2011	Gaschy	D6/500

D654,709 S *	2/2012	Fujita	D6/366
D654,711 S *	2/2012	Fujita	D6/366
D656,752 S *	4/2012	Moll	D6/366
D661,117 S *	6/2012	Tanaka et al.	D6/366
D662,330 S *	6/2012	Tanaka et al.	D6/366
D663,129 S *	7/2012	Greutmann	D6/366
D667,232 S *	9/2012	Yang	D6/366
D670,927 S *	11/2012	Hurford	D6/366
D671,759 S *	12/2012	Hurford	D6/366
D676,254 S *	2/2013	Chen	D6/366

(Continued)

Primary Examiner — Ricky Pham

(74) *Attorney, Agent, or Firm* — Drinker Biddle & Reath LLP

(57) **CLAIM**

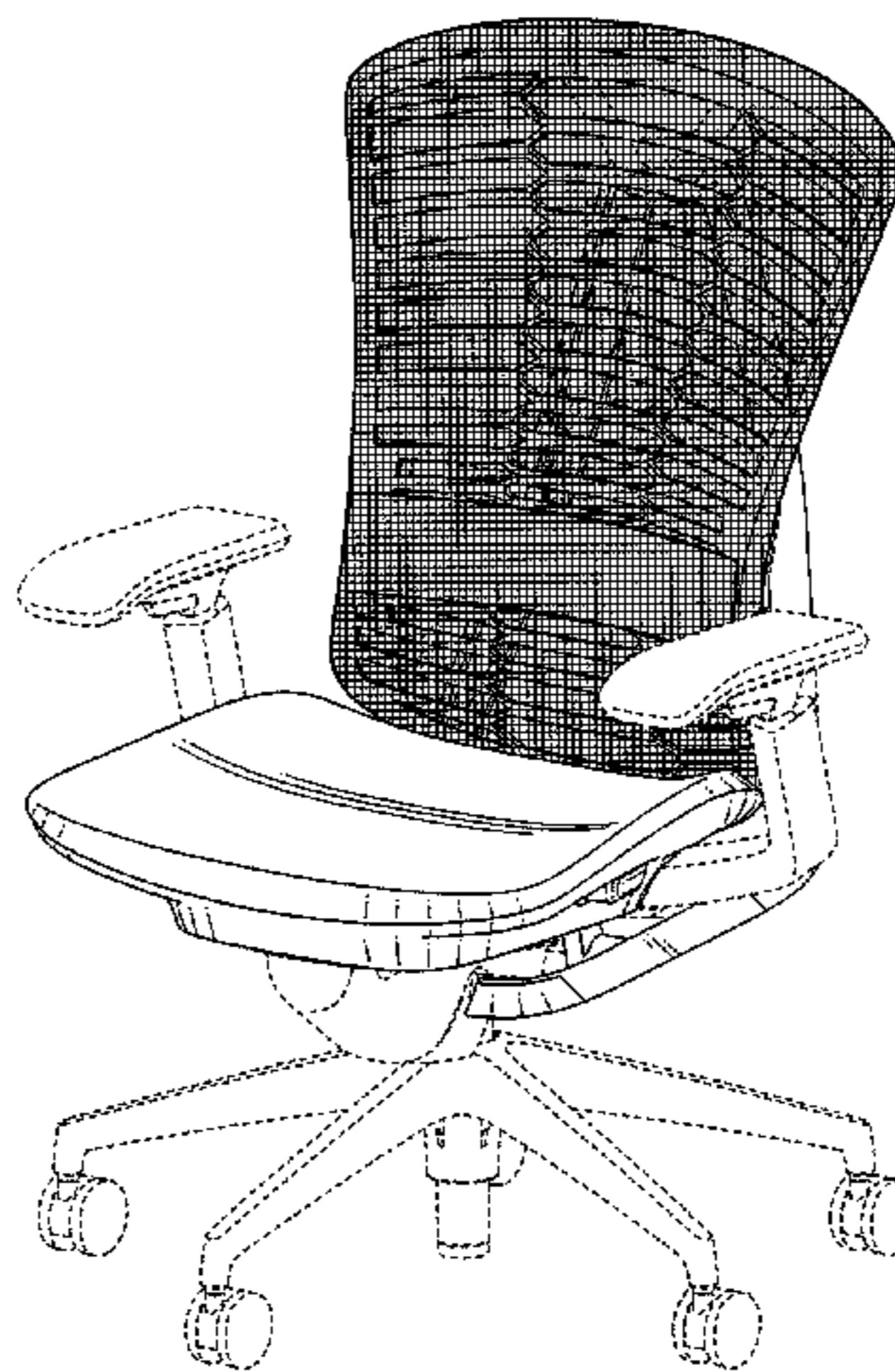
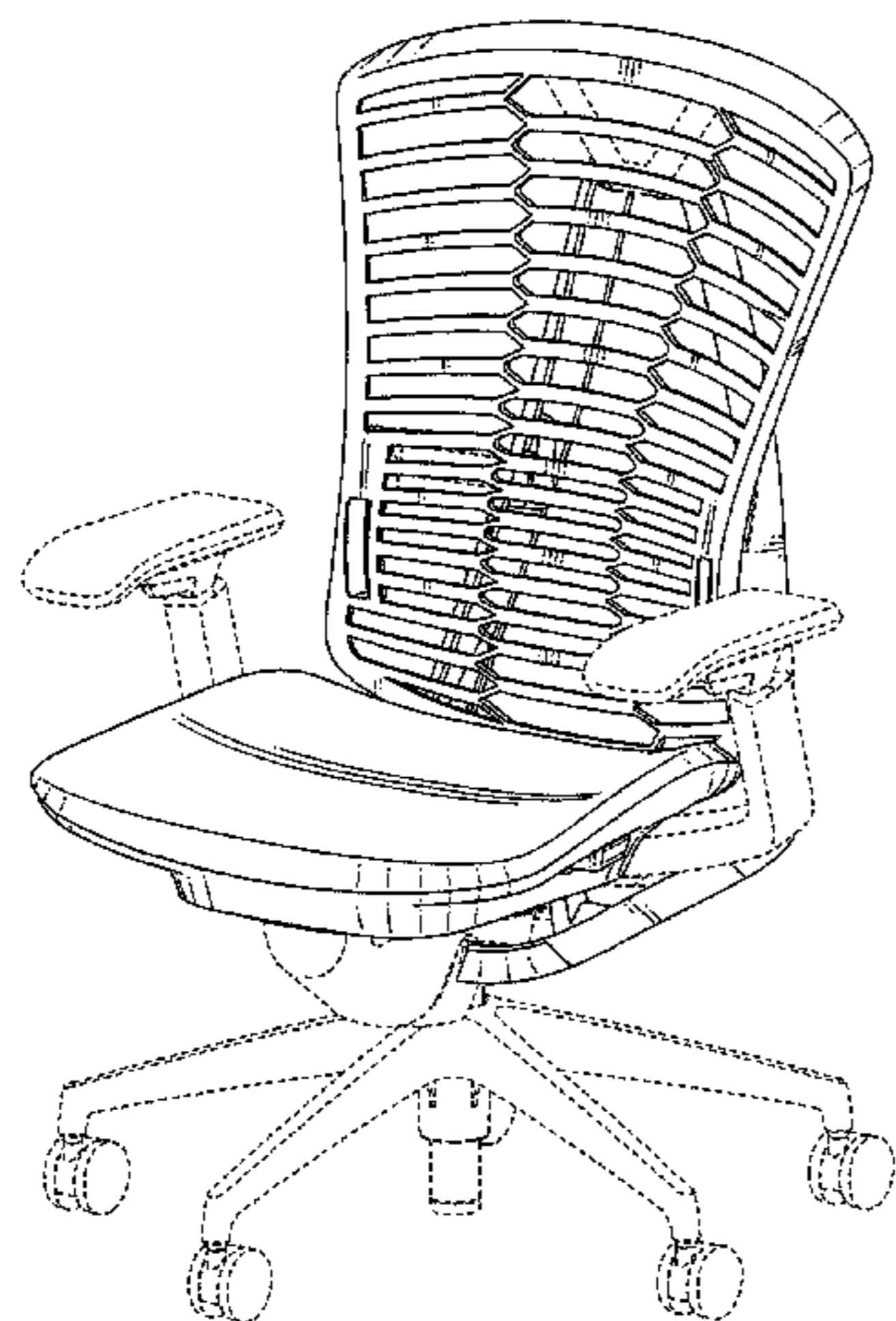
The ornamental design for the chair, as shown and described.

DESCRIPTION

FIG. 1 is a front perspective view of the chair in a first embodiment;
 FIG. 2 is a rear perspective view thereof;
 FIG. 3 is a front view thereof;
 FIG. 4 is a rear view thereof;
 FIG. 5 is a left side view thereof;
 FIG. 6 is a right side view thereof;
 FIG. 7 is a top plan view thereof; and
 FIG. 8 is a bottom view thereof.
 FIG. 9 is a front perspective view of the chair in a second embodiment;
 FIG. 10 is a rear perspective view thereof;
 FIG. 11 is a front view thereof;
 FIG. 12 is a rear view thereof;
 FIG. 13 is a left side view thereof;
 FIG. 14 is a right side view thereof;
 FIG. 15 is a top plan view thereof; and,
 FIG. 16 is a bottom view thereof.

The portions of the article in broken lines are shown for illustrative purposes only and form no part of the claimed design.

1 Claim, 16 Drawing Sheets



US D715,068 S

Page 2

(56)

References Cited

U.S. PATENT DOCUMENTS

D677,068 S *	3/2013	Chen	D6/366	
D679,107 S *	4/2013	Darrow et al.	D6/366	* cited by examiner
D688,056 S *	8/2013	Phillips et al.	D6/366	
D694,538 S *	12/2013	Smith et al.	D6/366	
D697,726 S *	1/2014	Smith et al.	D6/366	

Fig. 1

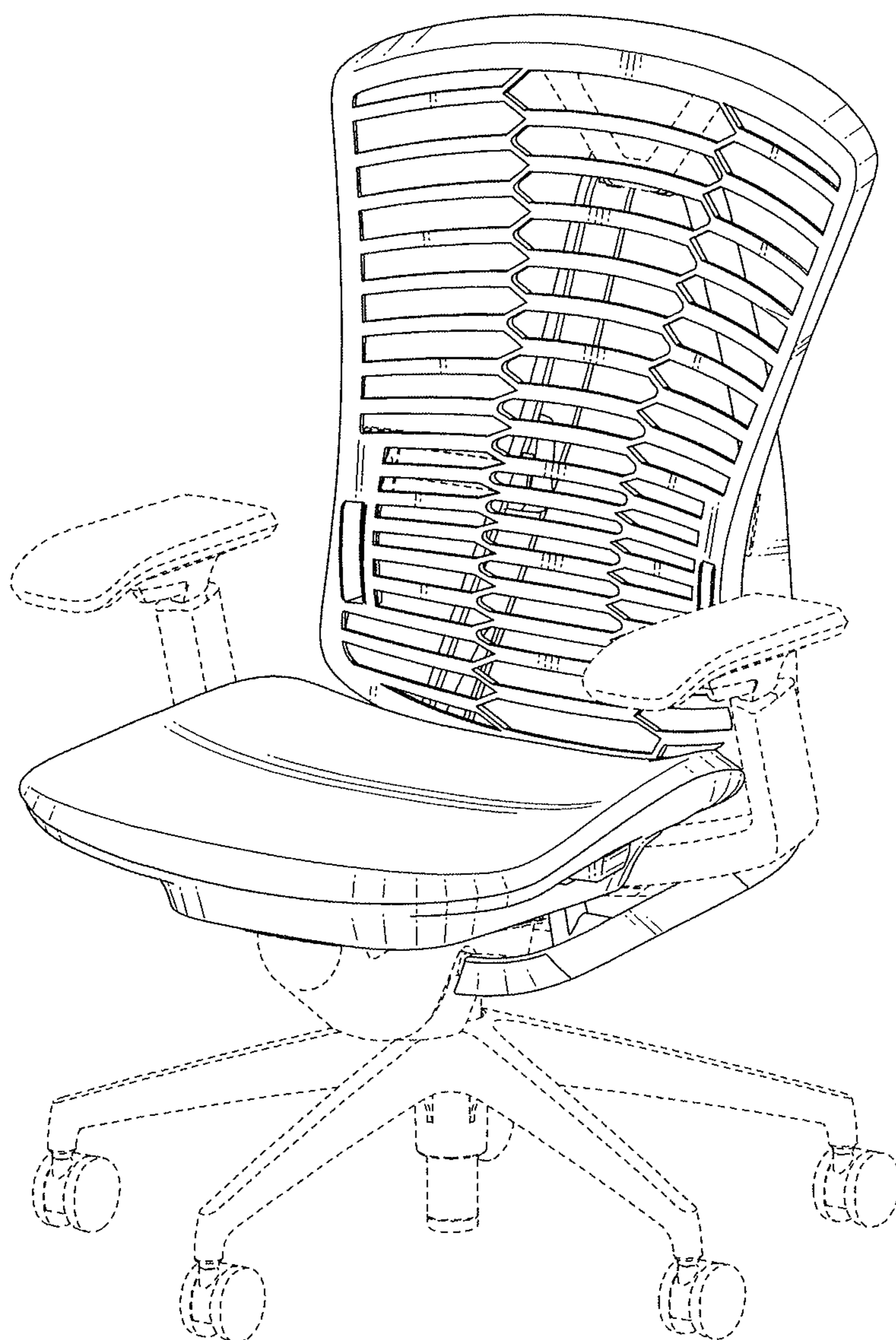


Fig. 2

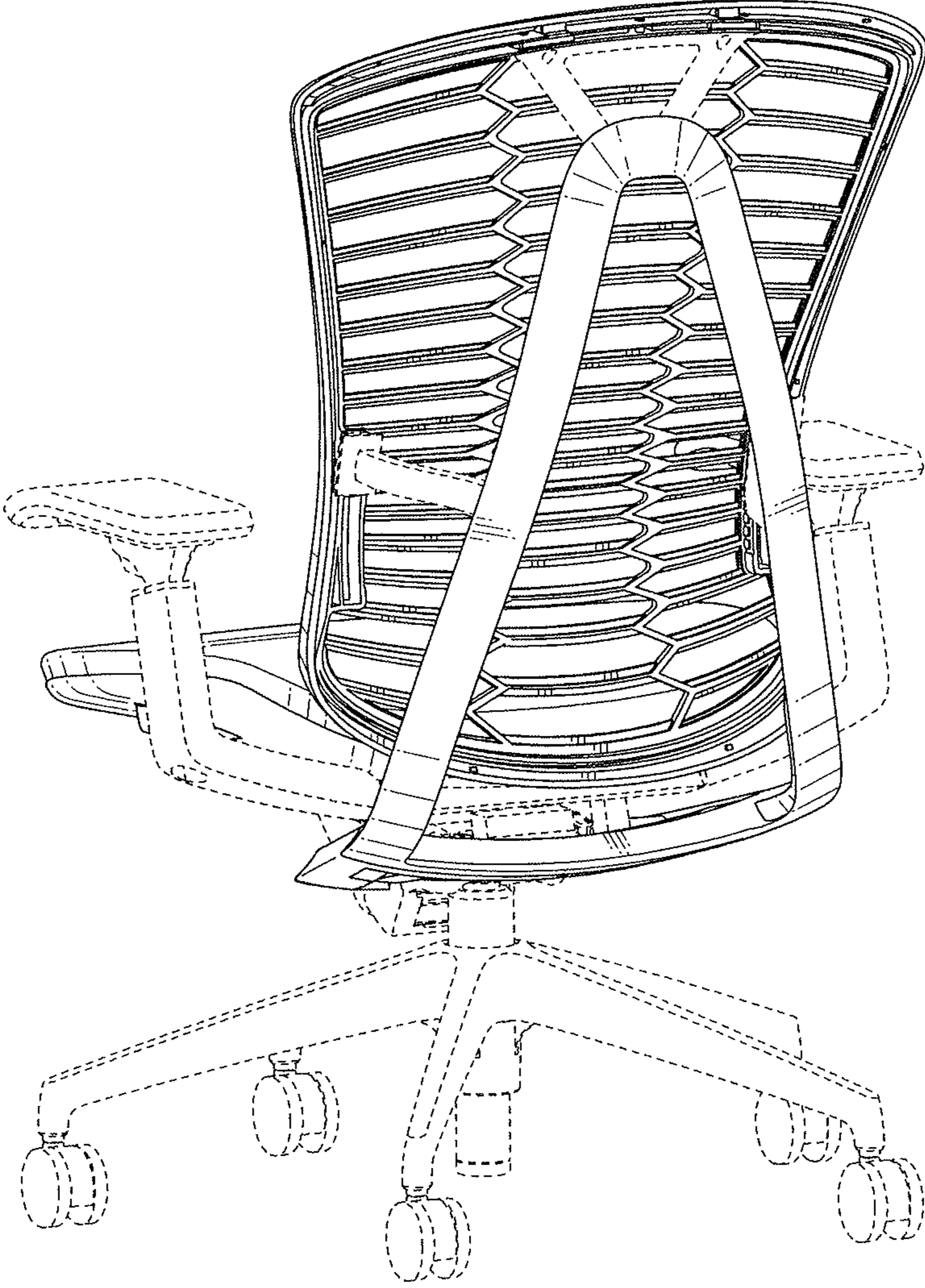


Fig. 3

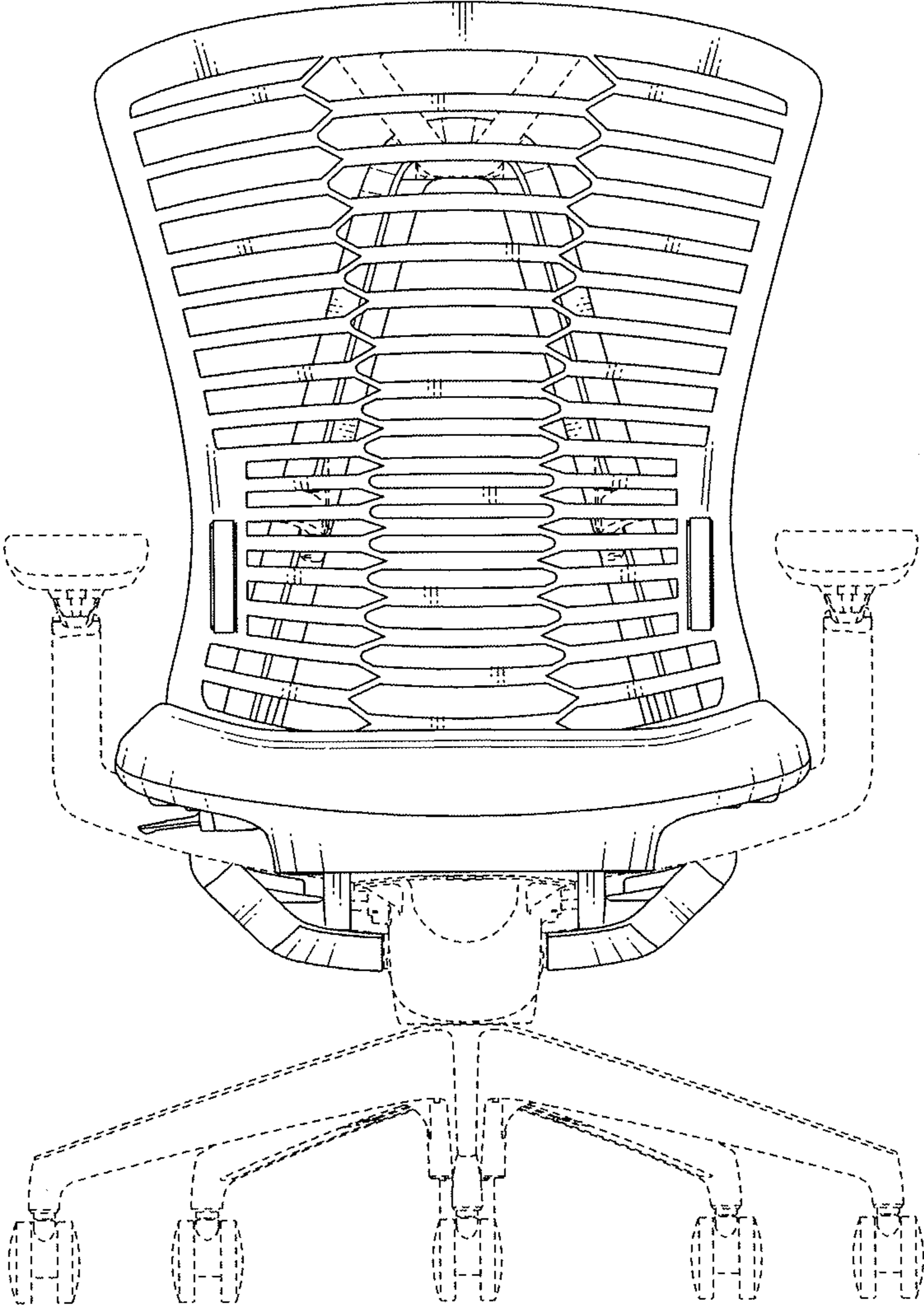


Fig. 4

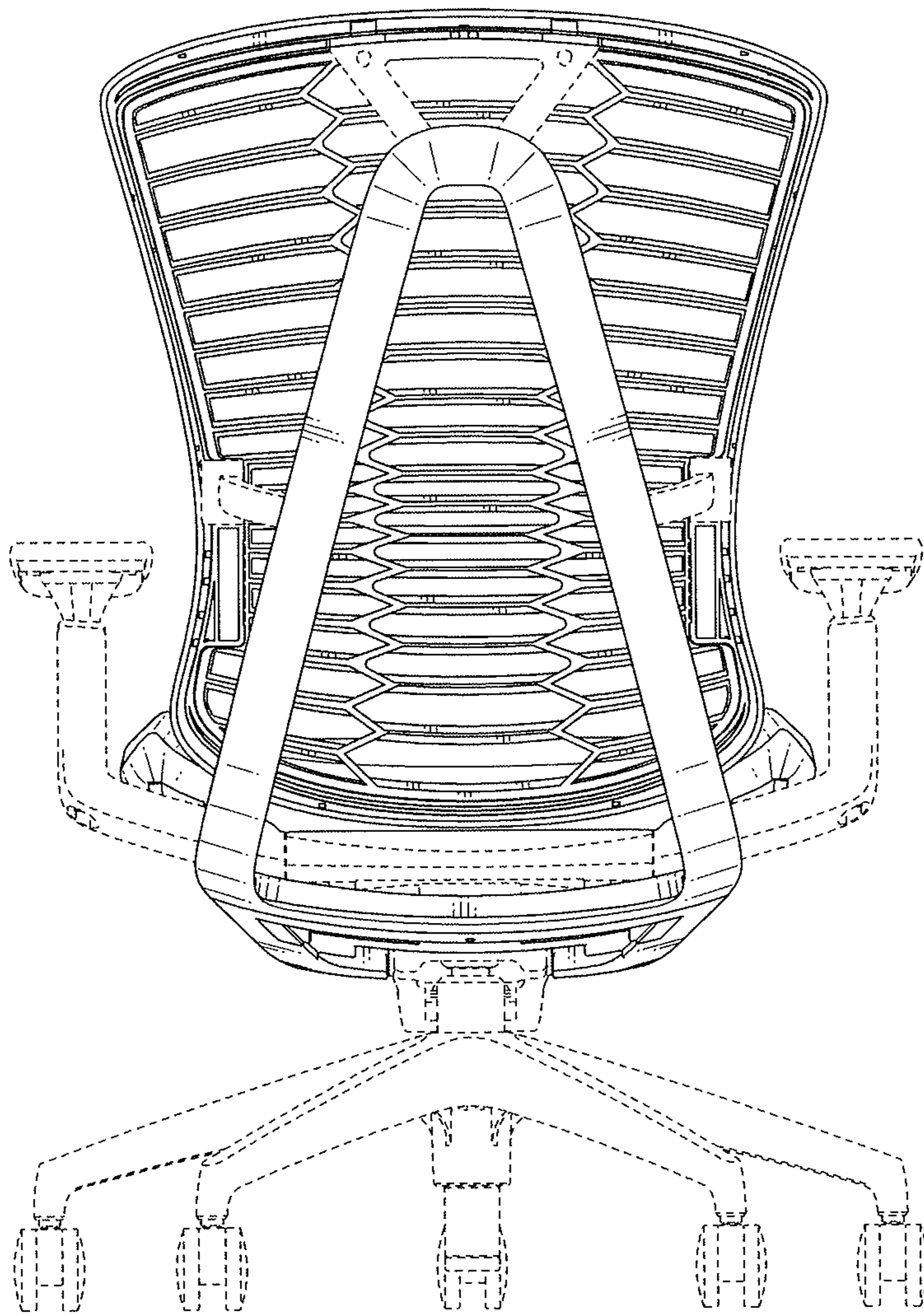


Fig. 5

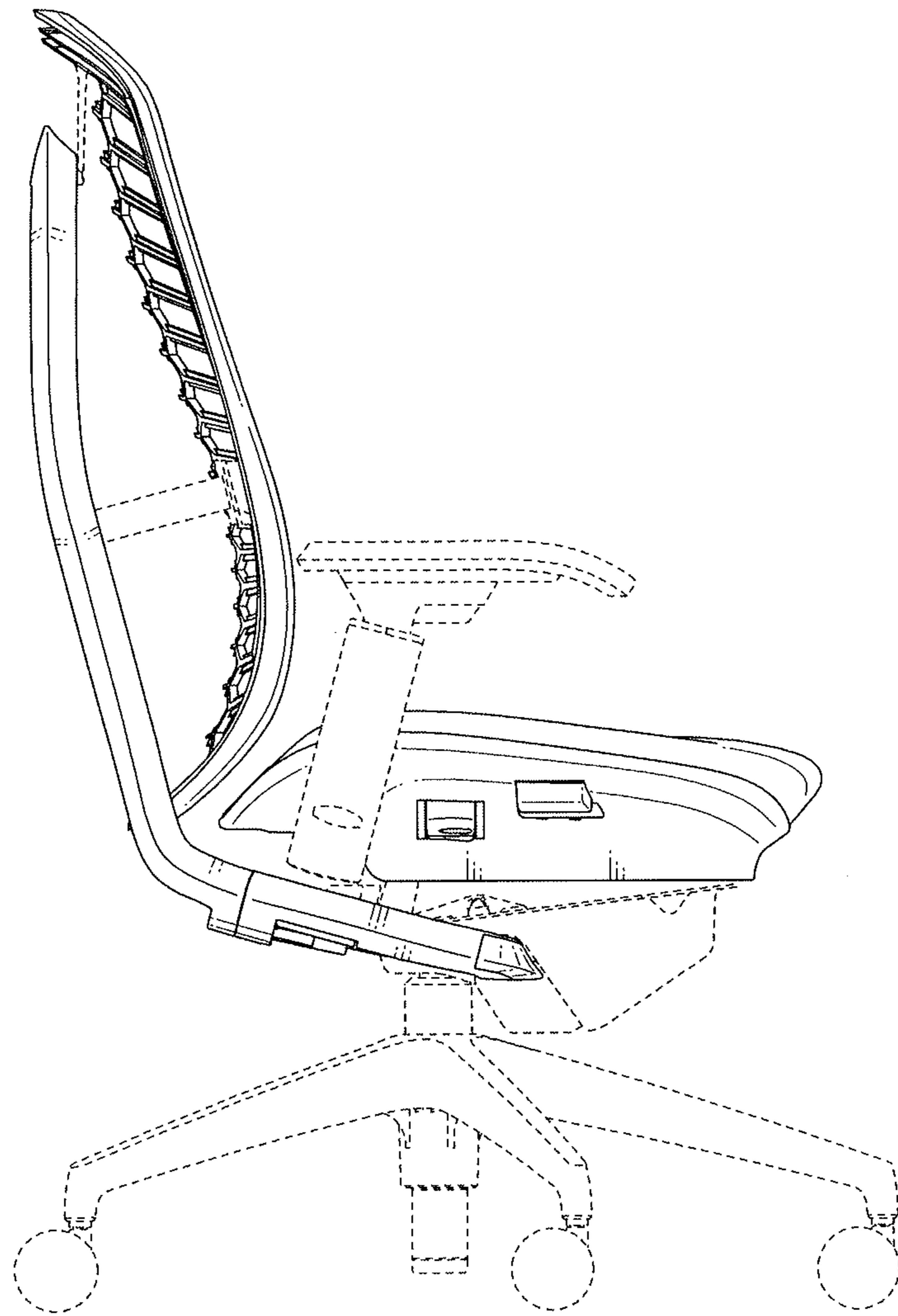


Fig. 6

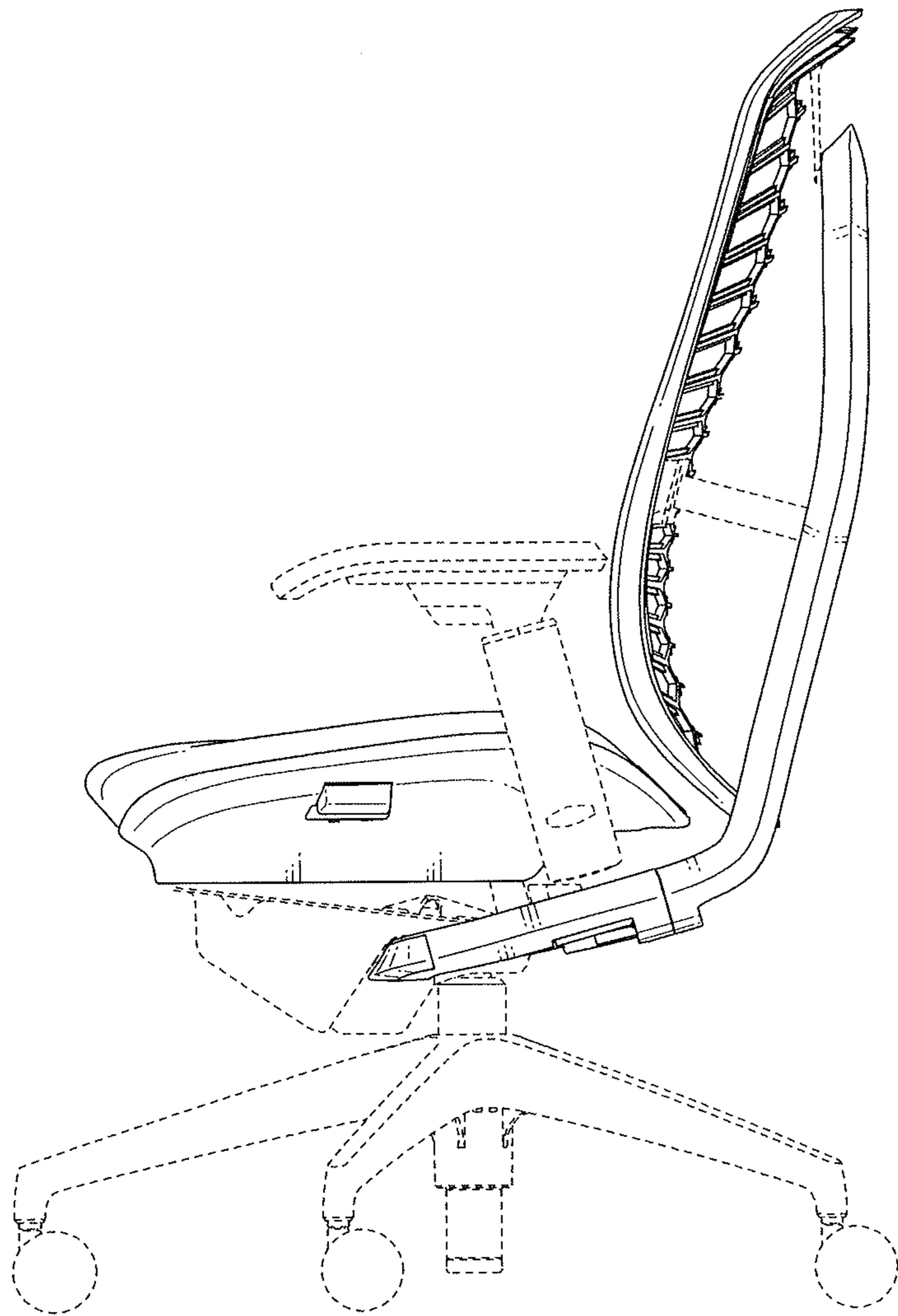


Fig. 7

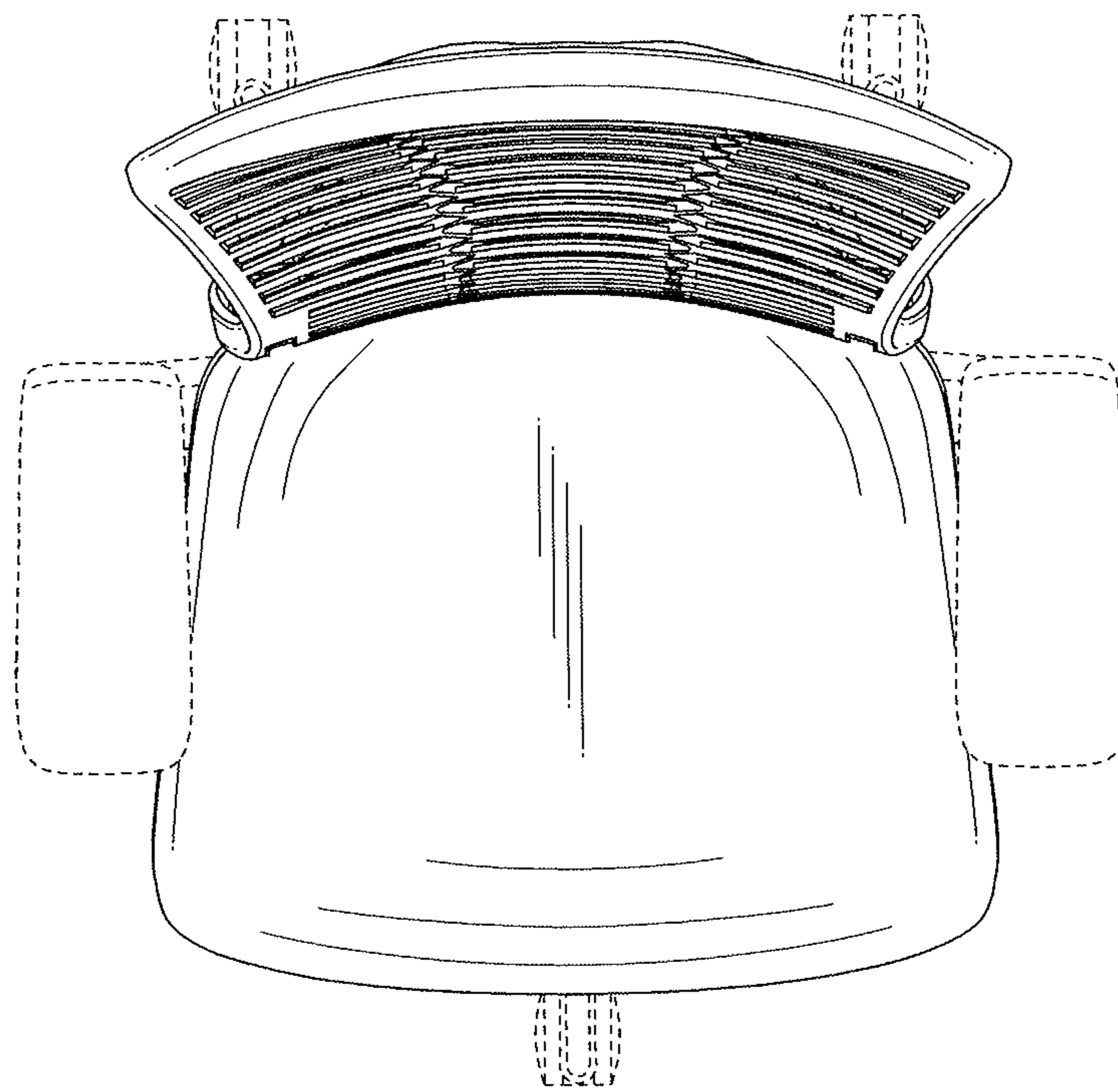


Fig. 8

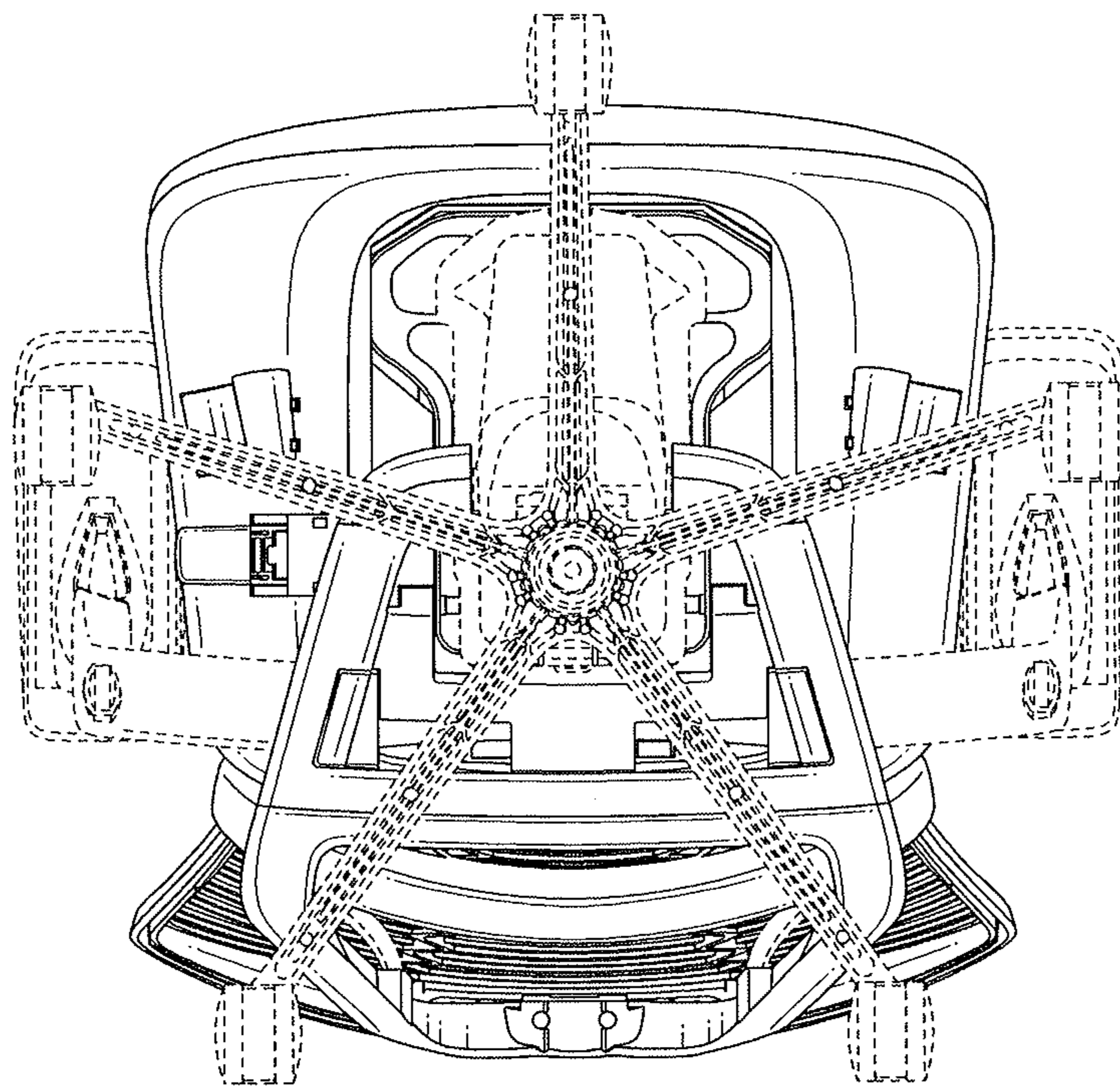


Fig. 9

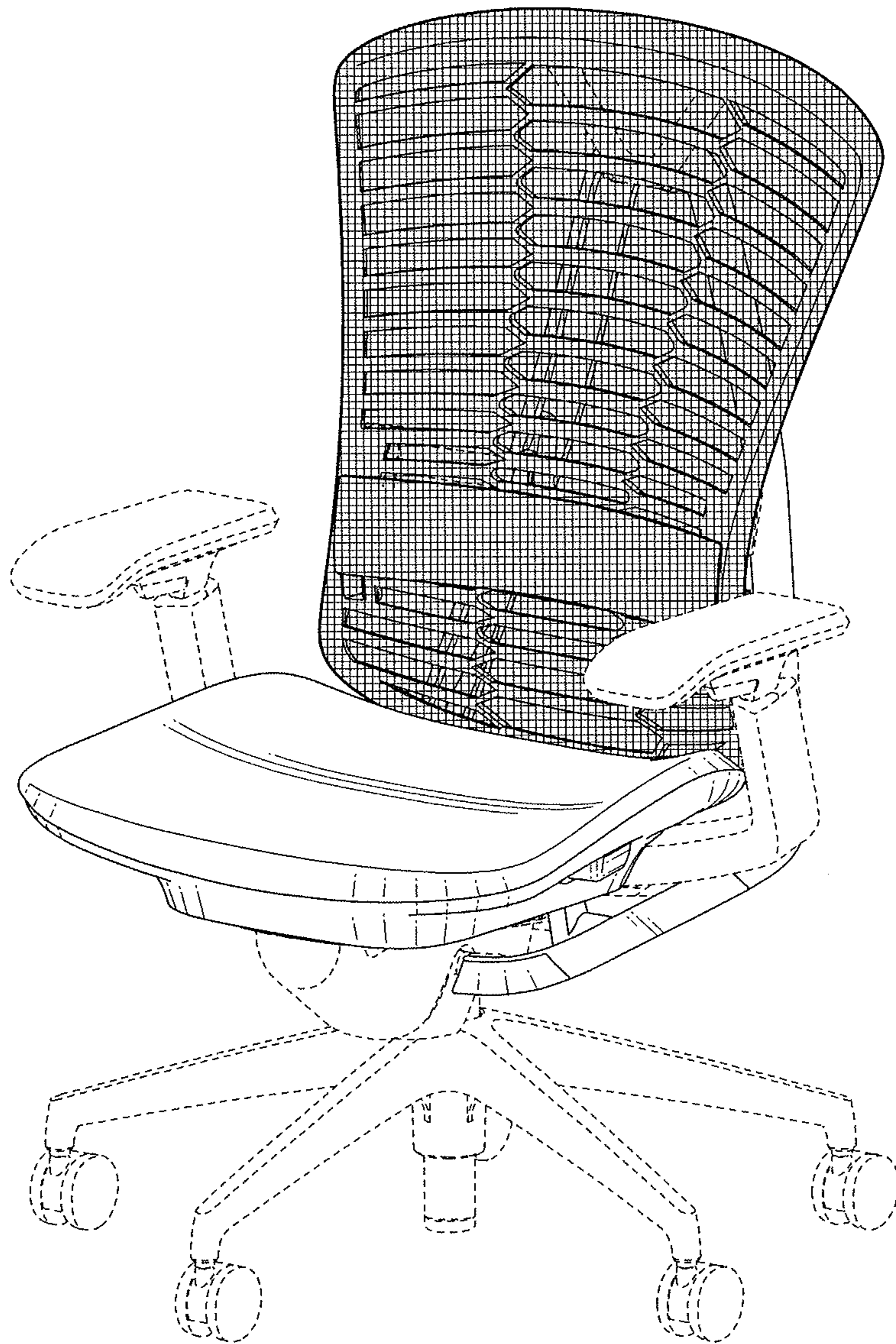


Fig. 10

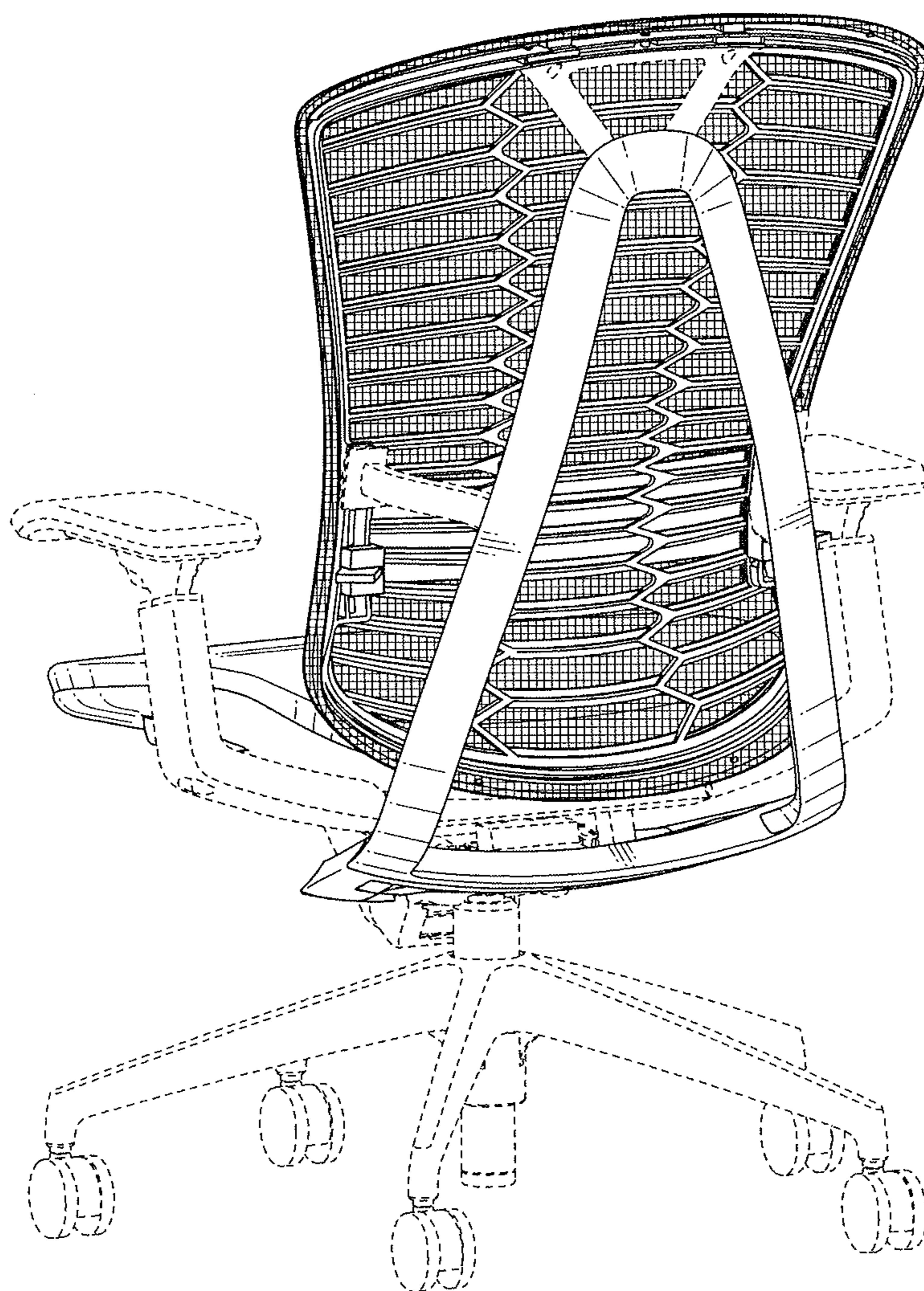


Fig. 11

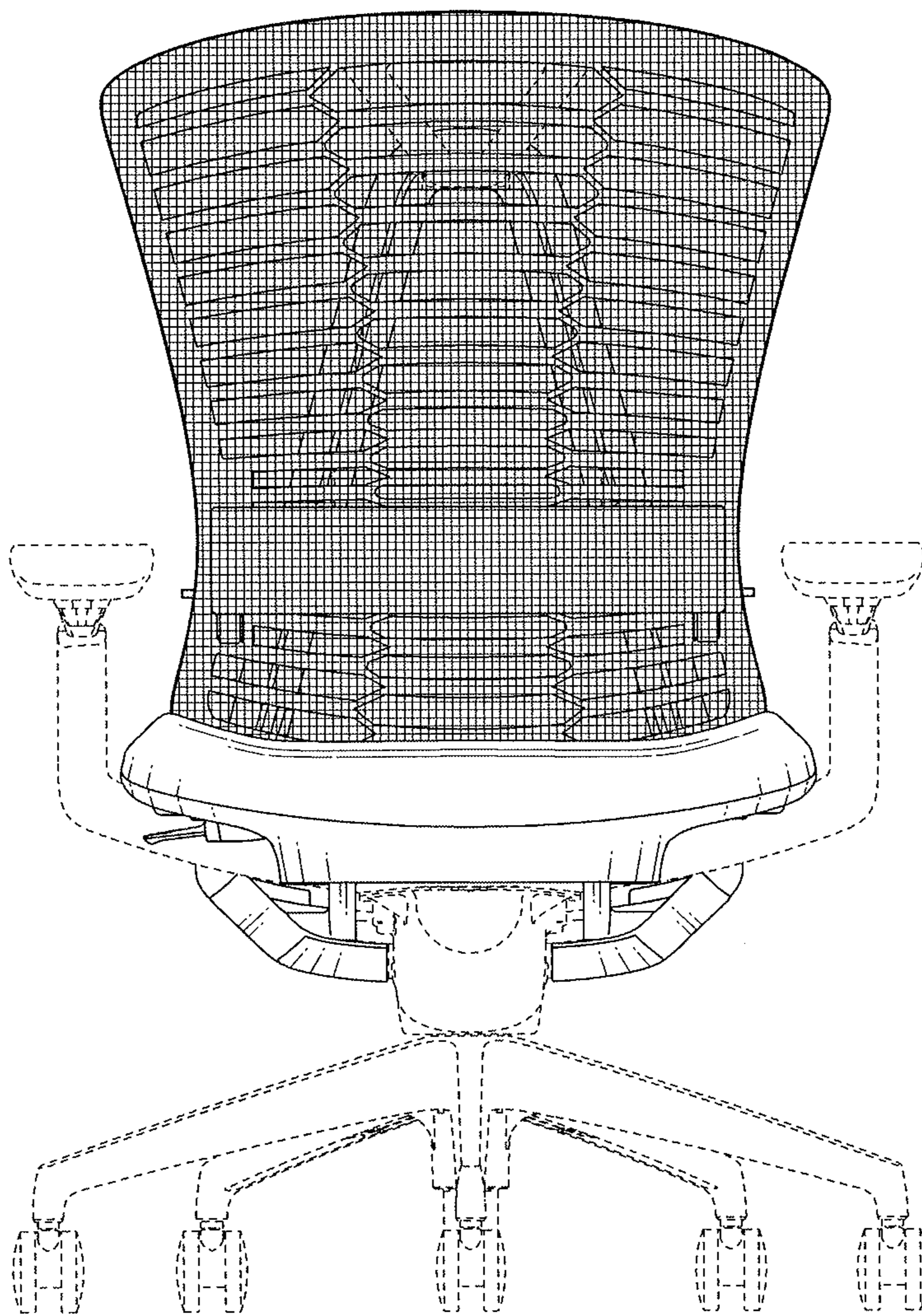


Fig. 12

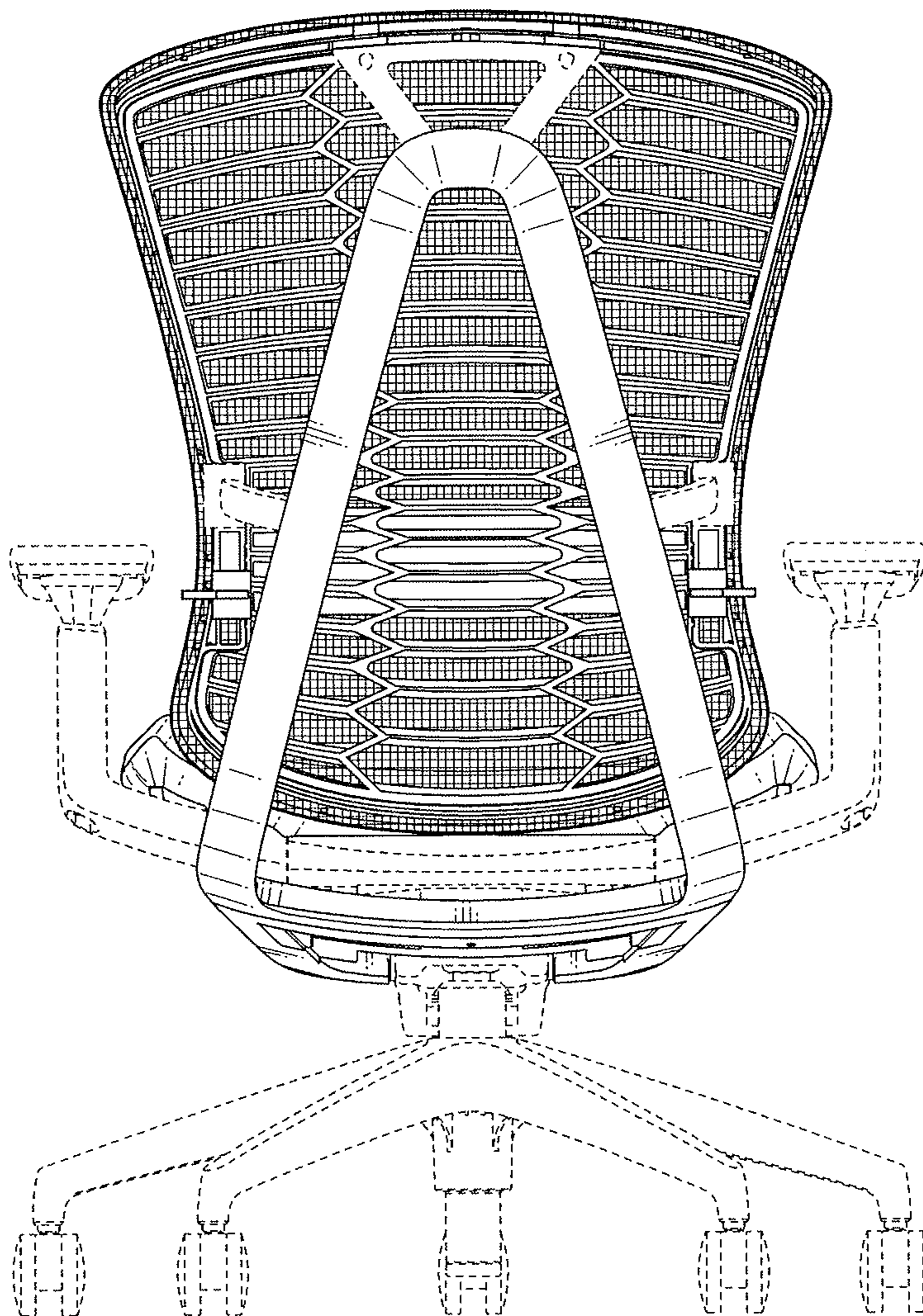


Fig. 13

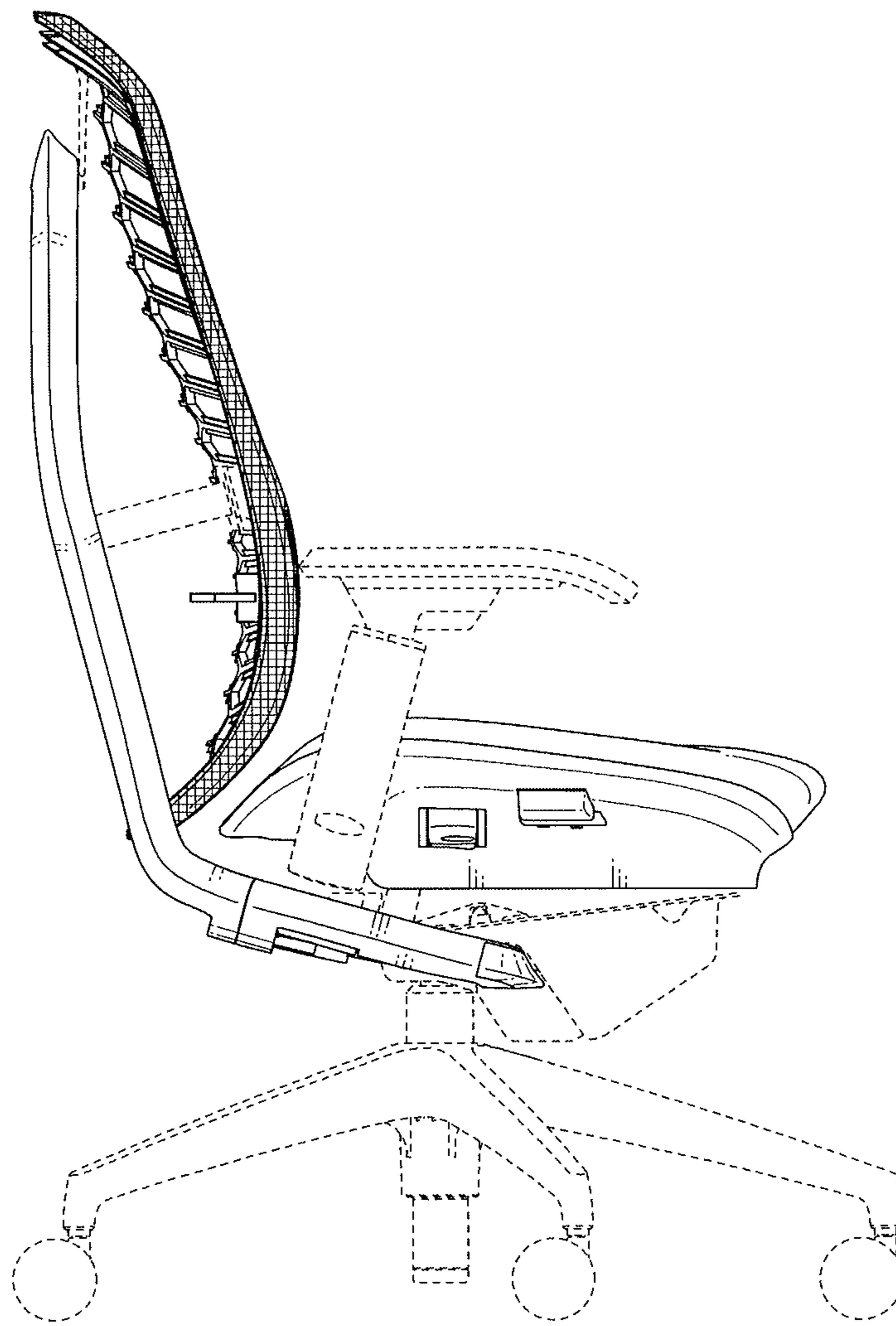


Fig. 14

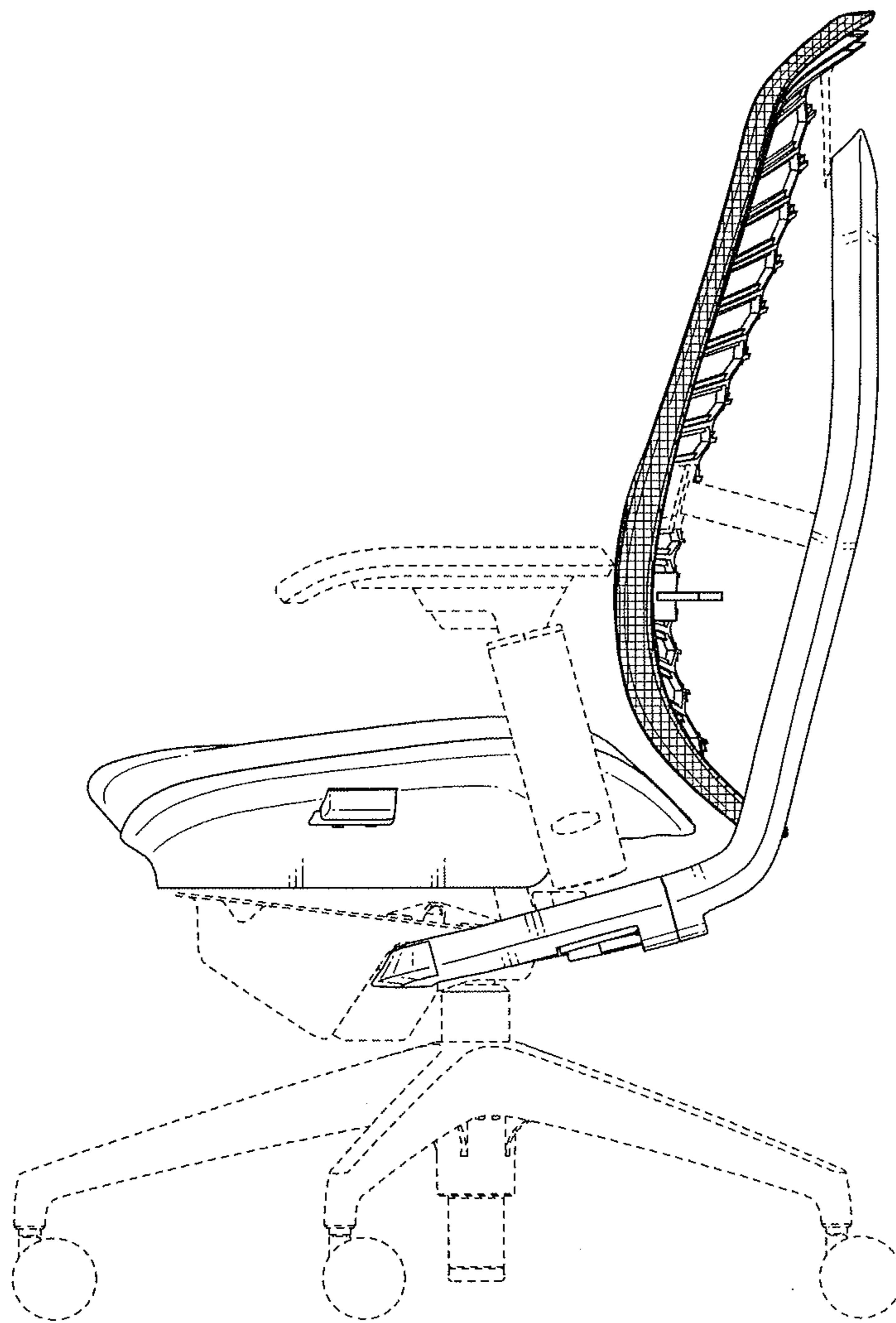


Fig. 15

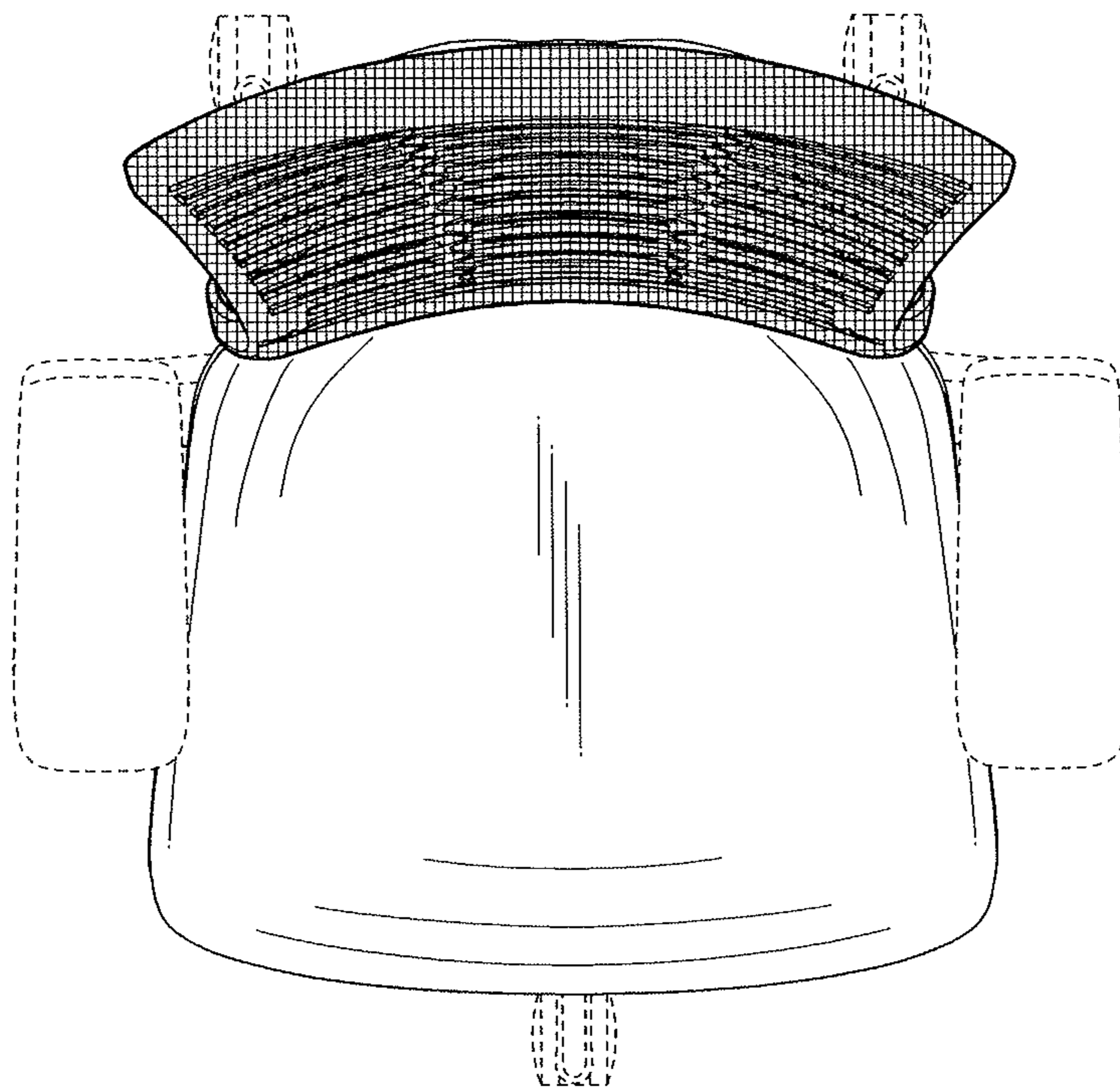


Fig. 16

