



US00D715066S

(12) **United States Design Patent**
Nicholas et al.

(10) **Patent No.:** **US D715,066 S**
(45) **Date of Patent:** **** Oct. 14, 2014**

(54) **SEATING FOR A TRANSPORT VEHICLE**

(71) Applicant: **Etihad Airways**, Abu Dhabi (AE)

(72) Inventors: **Richard Nicholas**, London (GB); **Ian Dryburgh**, Hants (GB)

(73) Assignee: **Etihad Airways**, Abu Dhabi (AE)

(**) Term: **14 Years**

(21) Appl. No.: **29/469,425**

(22) Filed: **Oct. 10, 2013**

(30) **Foreign Application Priority Data**

Apr. 10, 2013 (EM) 002217976-0002

(51) **LOC (10) Cl.** **06-01**

(52) **U.S. Cl.**
USPC **D6/356**

(58) **Field of Classification Search**
USPC D6/334-336, 356-357, 360-361,
D6/367-368, 381, 643, 716, 716.1-716.5;
D12/195, 345; 244/118.5-118.6, 122 R,
244/141; 297/118, 163, 173, 188.08,
297/232-233, 244-245, 248, 342, 354.1,
297/354.11, 361.1

See application file for complete search history.

(56) **References Cited**

U.S. PATENT DOCUMENTS

D304,529 S * 11/1989 Hontz D6/421
D421,593 S * 3/2000 Papaioannou et al. D12/345
D421,948 S * 3/2000 Dryburgh et al. D12/195
D439,063 S * 3/2001 Round et al. D6/356
D439,425 S * 3/2001 Park et al. D6/356
6,209,956 B1 * 4/2001 Dryburgh et al. 297/245

D443,990 S * 6/2001 Beroth D6/356
D510,816 S * 10/2005 Lee D6/356
D558,993 S * 1/2008 Saint-Jalmes et al. D6/357
D591,520 S * 5/2009 Orson et al. D6/356
D598,666 S * 8/2009 Cloet et al. D6/356
D611,260 S * 3/2010 Plant D6/356
D623,577 S * 9/2010 Orson et al. D12/345
D623,578 S * 9/2010 Orson et al. D12/345
D628,138 S * 11/2010 Collins et al. D12/345
8,177,165 B2 * 5/2012 Bettell 244/118.6
D661,116 S * 6/2012 Darbyshire D6/356
D686,423 S * 7/2013 Salzberger et al. D6/356
D695,033 S * 12/2013 Salzberger et al. D6/356
D696,034 S * 12/2013 Ersan et al. D6/356
D696,524 S * 12/2013 Ersan et al. D6/356
D702,623 S * 4/2014 Salzberger et al. D12/345
2010/0163674 A1 * 7/2010 Bock 244/118.6
2011/0253838 A1 * 10/2011 Bettell 244/118.6
2012/0292957 A1 * 11/2012 Vergnaud et al. 297/188.08
2013/0043345 A1 * 2/2013 Ferry et al. 244/118.6

* cited by examiner

Primary Examiner — Ricky Pham

(74) *Attorney, Agent, or Firm* — Fredrikson & Byron, P.A.

(57) **CLAIM**

We claim the ornamental design for a seating for a transport vehicle, as shown and described.

DESCRIPTION

FIG. 1 is a top perspective of our new design for a seating for a transport vehicle;

FIG. 2 is another top perspective view thereof;

FIG. 3 is a top view thereof;

FIG. 4 is a bottom view thereof;

FIG. 5 is a front view thereof;

FIG. 6 is a rear view thereof;

FIG. 7 is a left side view thereof; and,

FIG. 8 is a right side view thereof.

1 Claim, 8 Drawing Sheets

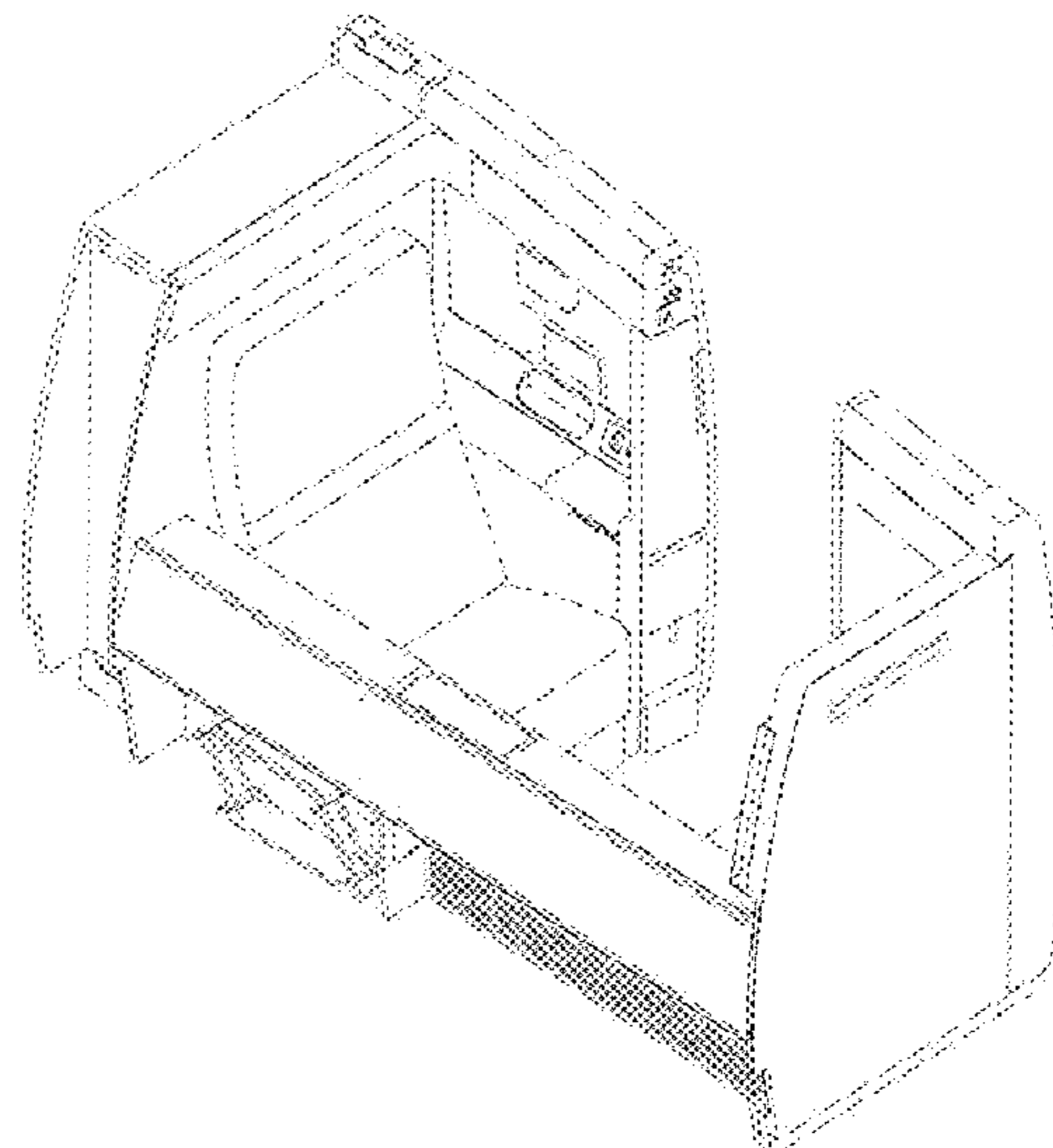
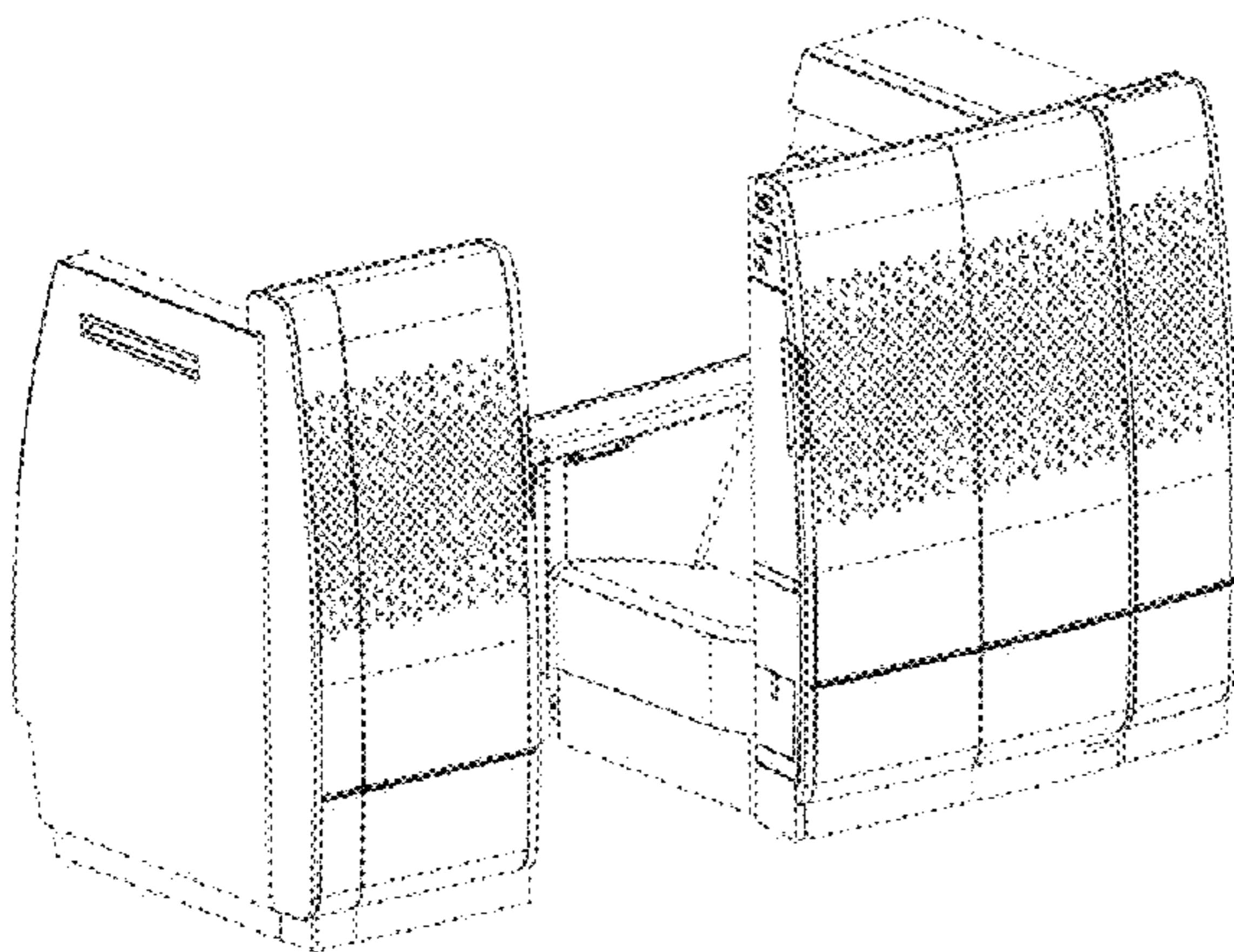


FIG. 1

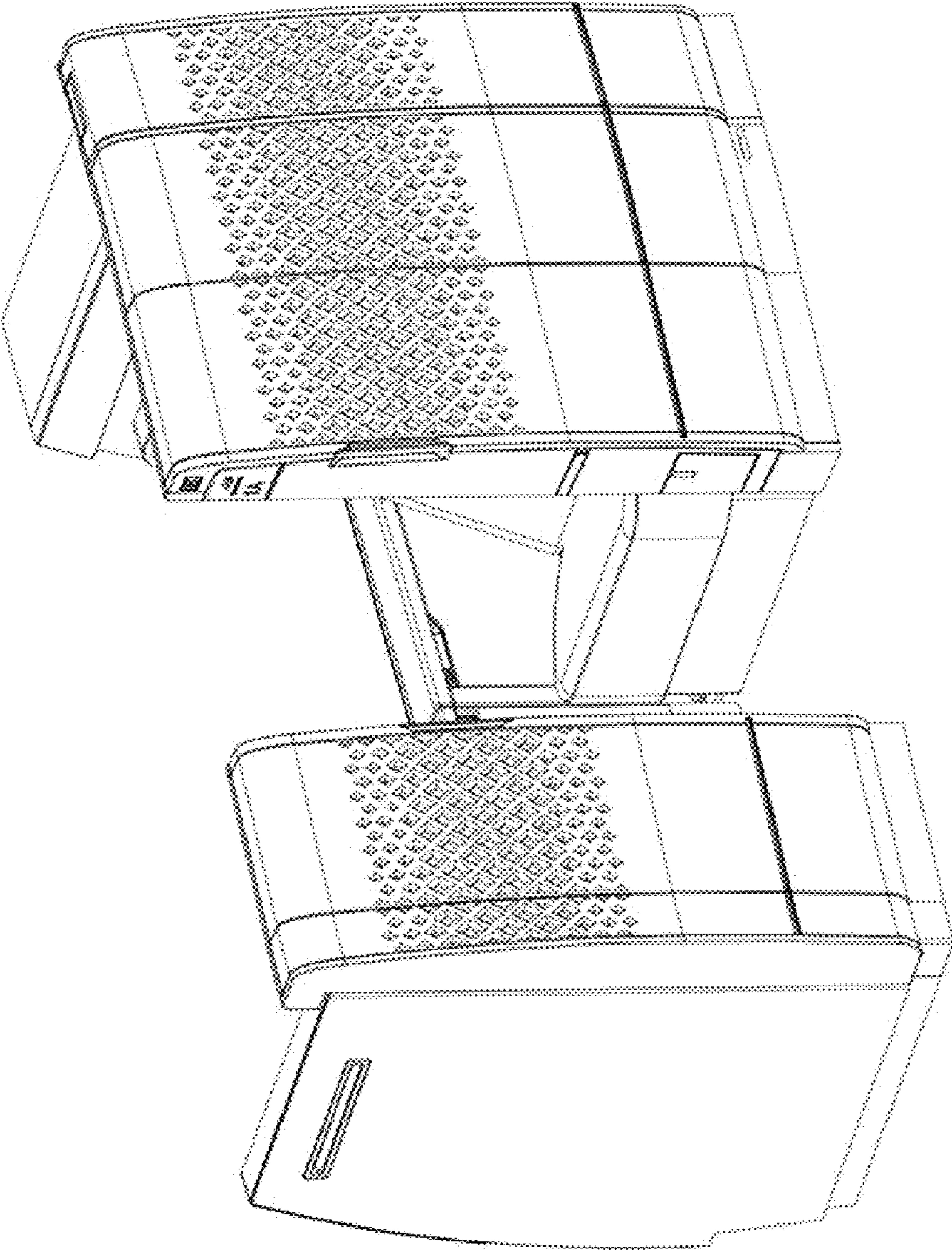


FIG. 2

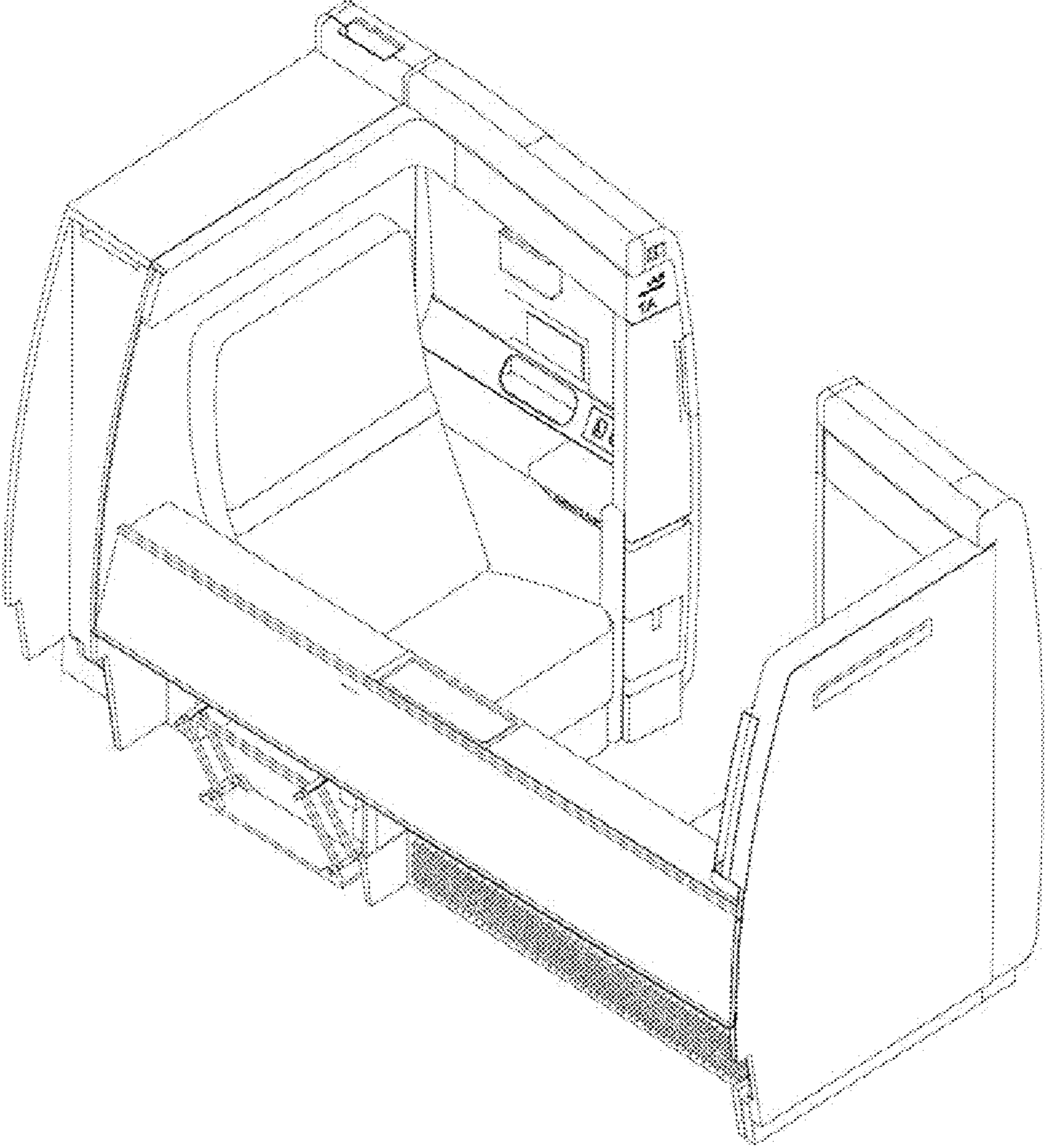


FIG. 3

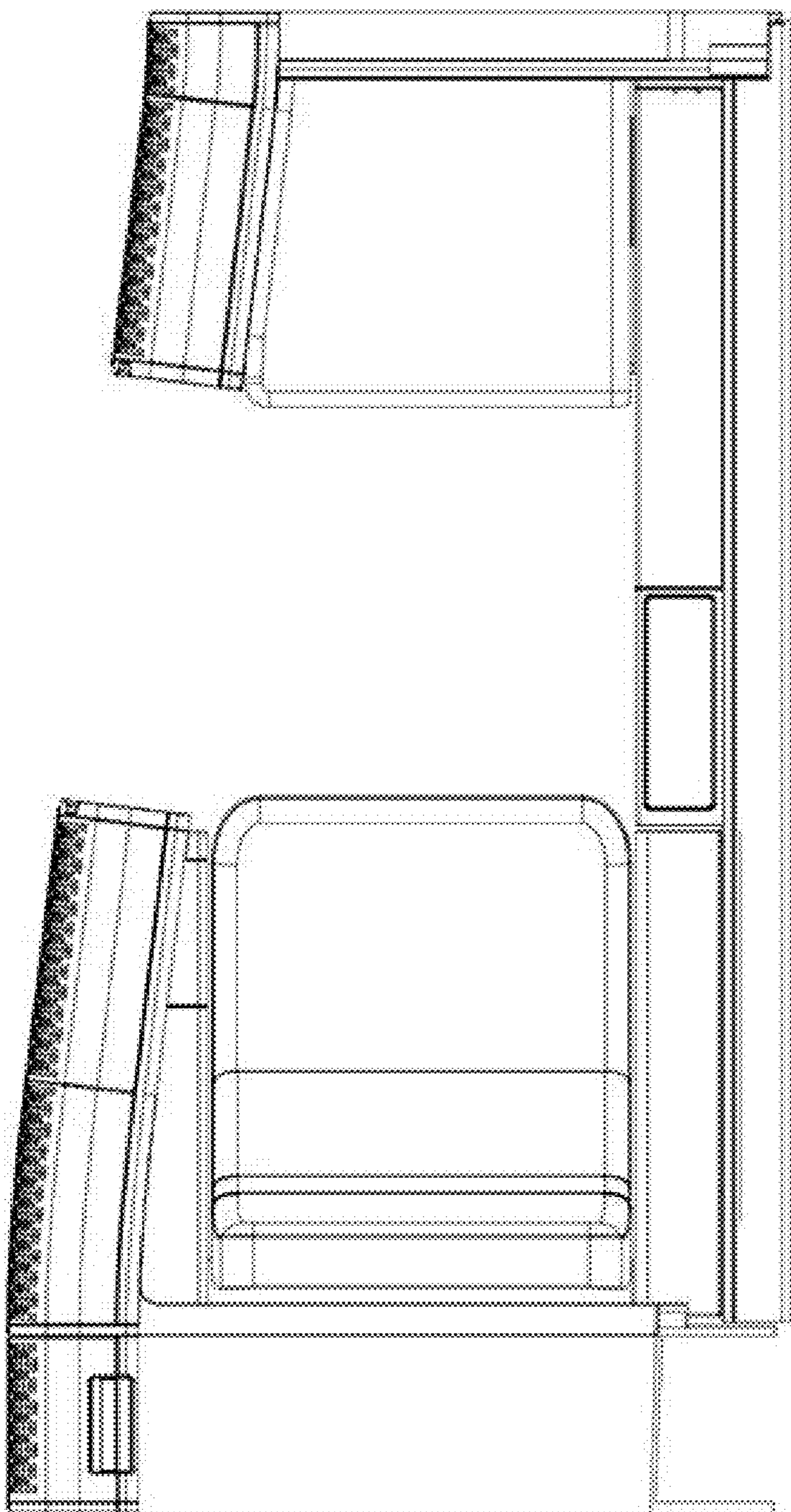


FIG. 4

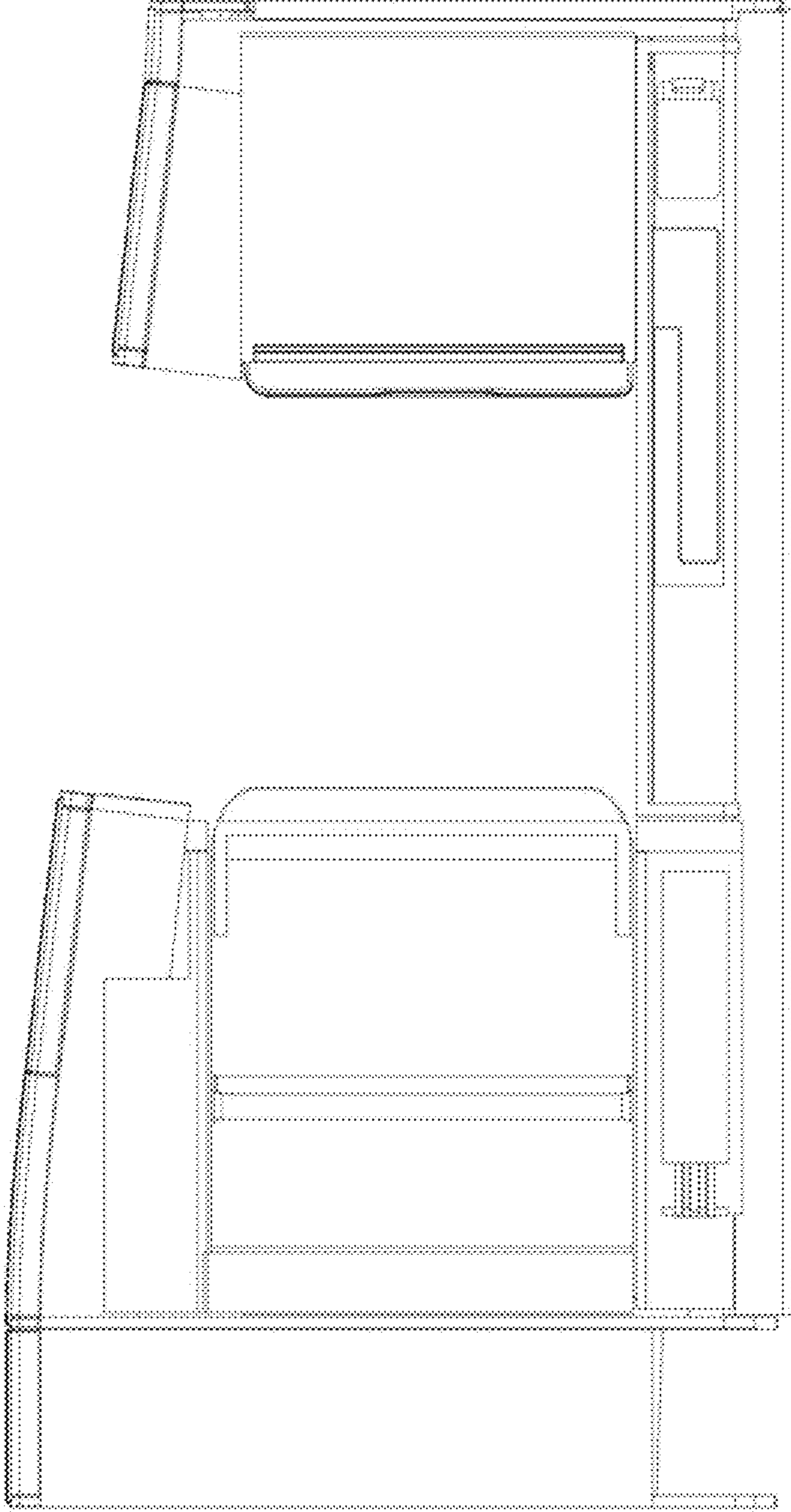


FIG. 5

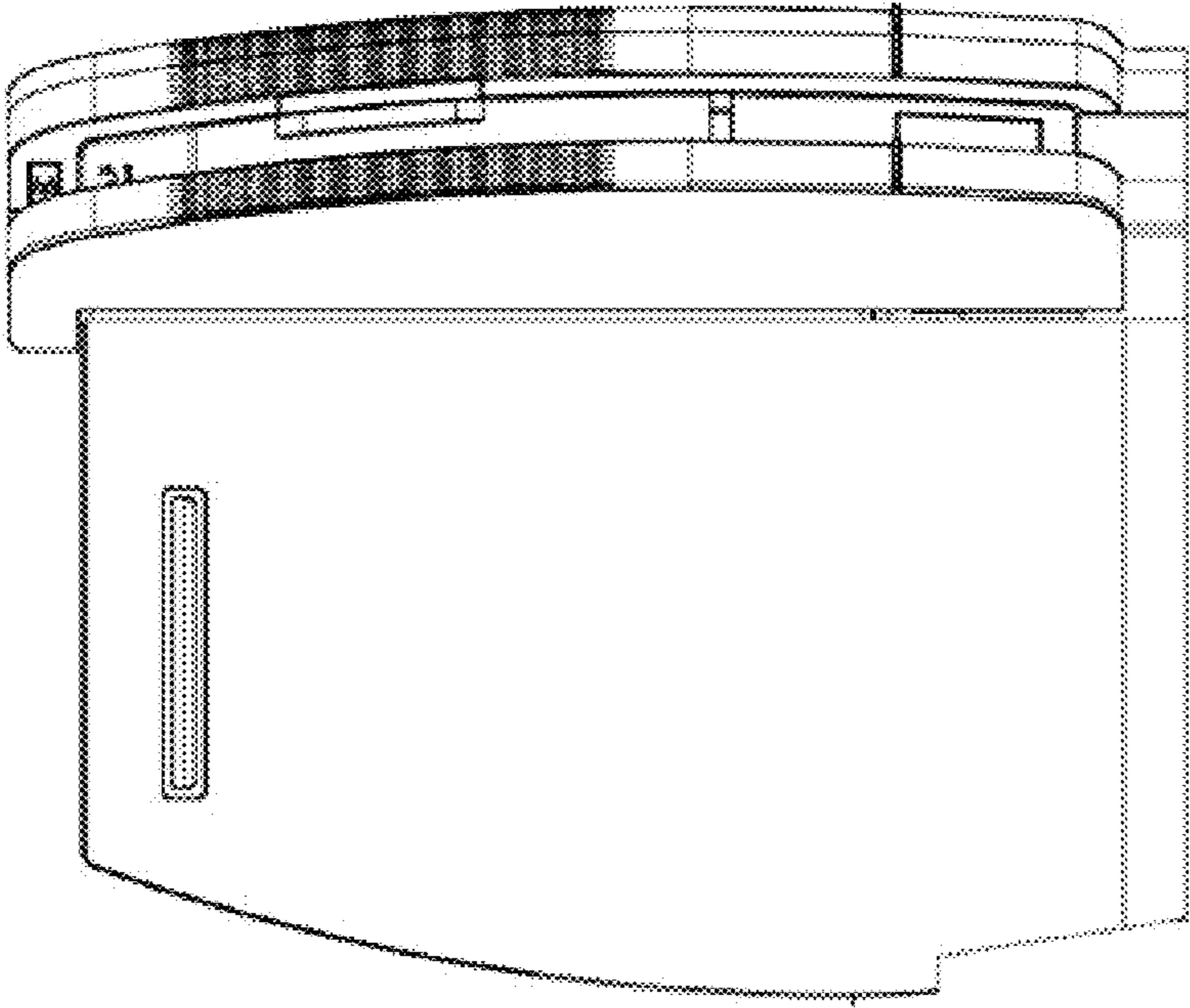


FIG. 6

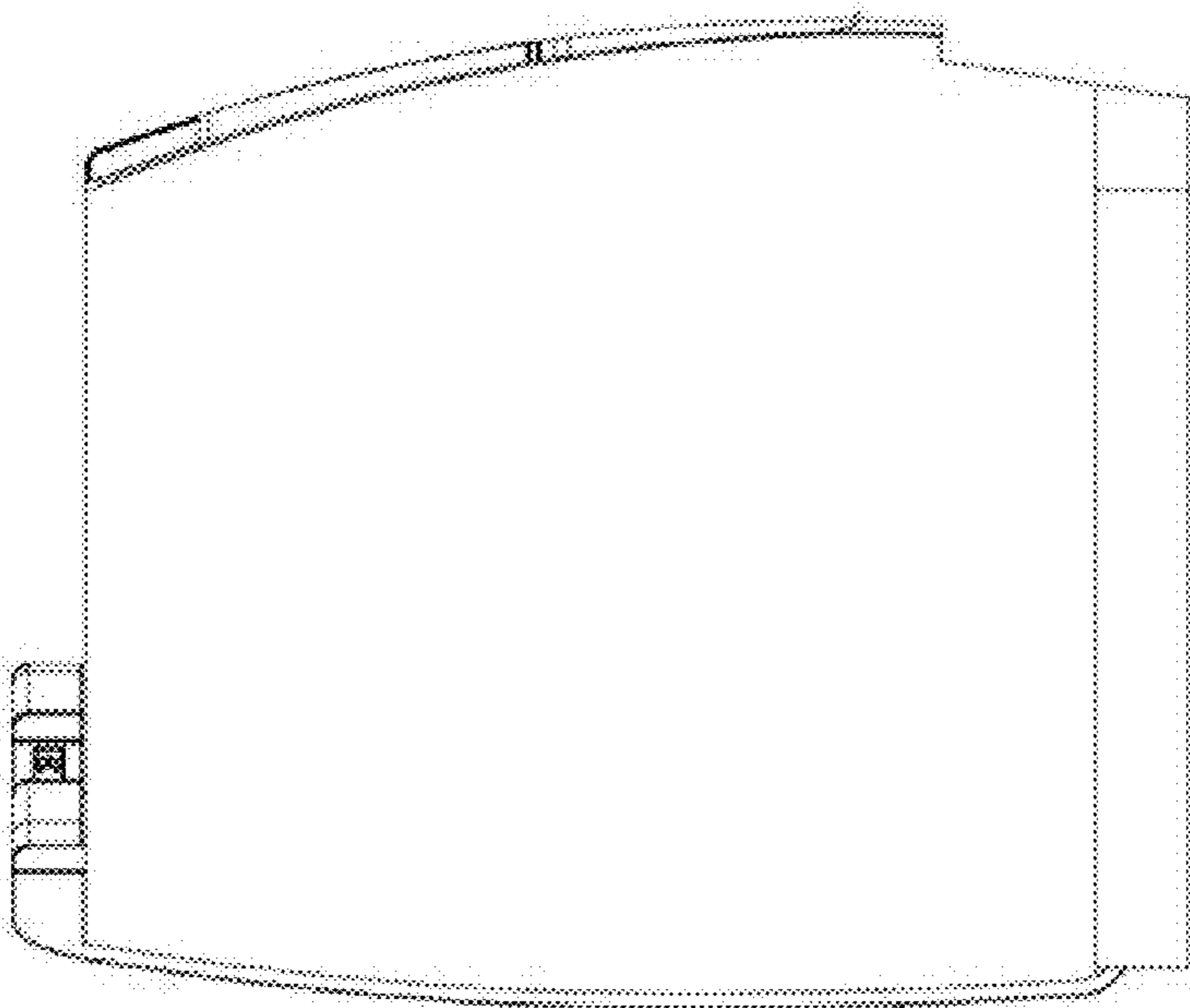


FIG. 7

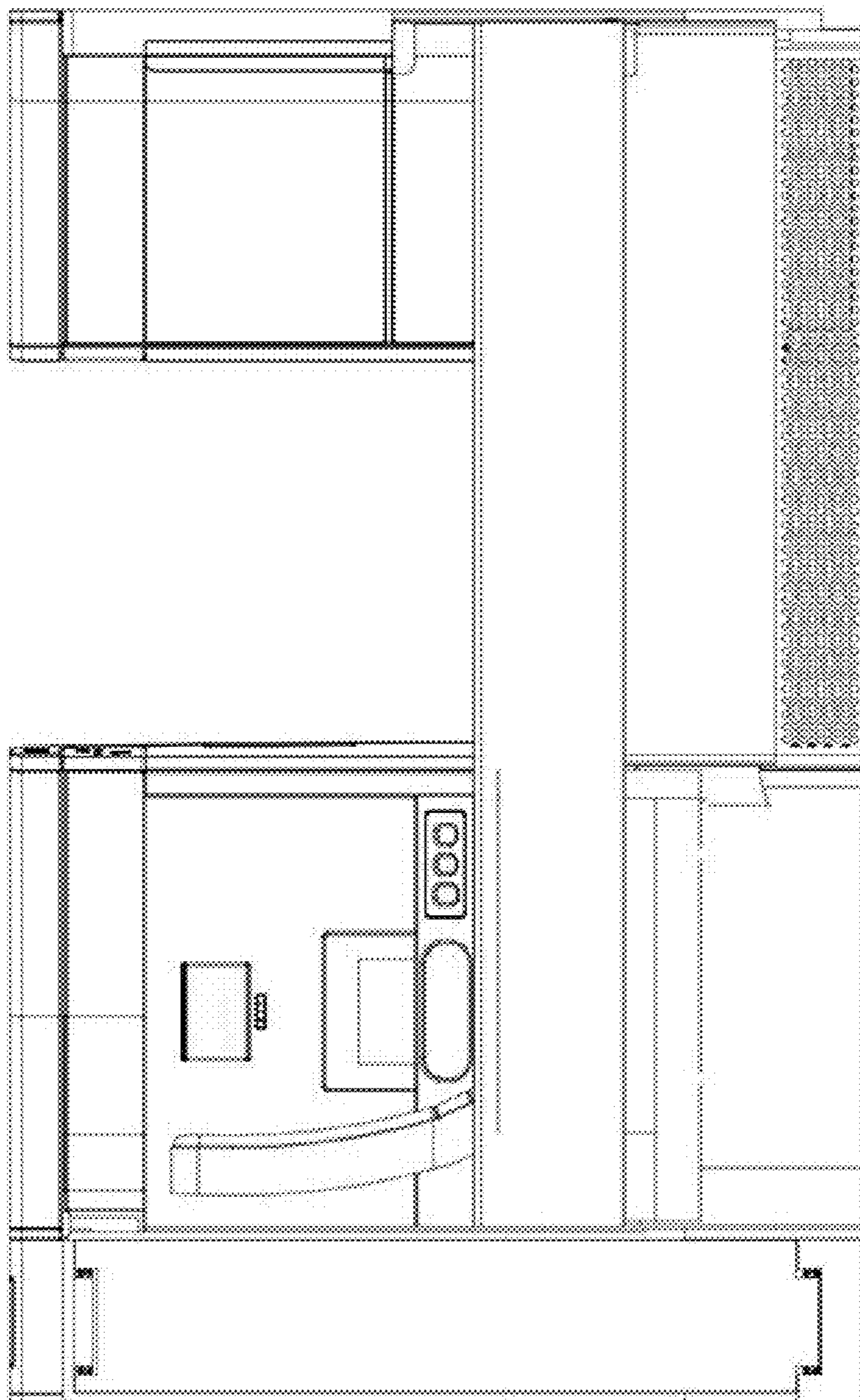


FIG. 8

