



US00D715065S

(12) **United States Design Patent**
Grogan

(10) **Patent No.:** **US D715,065 S**

(45) **Date of Patent:** **** Oct. 14, 2014**

(54) **CLOTHES RACK**

(71) Applicant: **Paula McCREERY**, County Meath (IE)

(72) Inventor: **Brendan Grogan**, Castletroy (IE)

(73) Assignee: **Paula McCREERY**, Ashbourne (IE)

(**) Term: **14 Years**

(21) Appl. No.: **29/448,046**

(22) Filed: **Mar. 8, 2013**

(30) **Foreign Application Priority Data**

Sep. 10, 2012 (EM) 001342786

(51) **LOC (10) Cl.** **06-08**

(52) **U.S. Cl.**
USPC **D6/323**

(58) **Field of Classification Search**
USPC D6/315-328, 556, 567, 675.2, 675.5,
D6/680.3, 705, 705.6, 705.7; 223/85-98;
211/10, 13.1, 18, 48, 85, 85.2, 87.01,
211/90.01, 90.03, 106, 106.01, 113,
211/119.003, 126.9, 133.2, 133.5, 134, 149,
211/181.1

See application file for complete search history.

(56) **References Cited**

U.S. PATENT DOCUMENTS

530,349 A * 12/1894 Payne 108/135

819,989 A *	5/1906	Gilbert	211/48
1,752,985 A *	4/1930	Huffman	211/106
2,271,941 A *	2/1942	Kemmitt	211/118
2,293,275 A *	8/1942	Boltz	211/86.01
2,633,998 A *	4/1953	Derman et al.	211/104
2,672,988 A *	3/1954	Johnson	211/88.01
2,956,689 A *	10/1960	Van Der Togt	211/86.01
4,437,572 A *	3/1984	Hoffman	211/119.003
5,373,951 A *	12/1994	Arnold	211/106
D413,218 S *	8/1999	Doty	D6/511
D493,289 S *	7/2004	Klein et al.	D6/320
D635,810 S *	4/2011	Boyer	D6/566
D653,462 S *	2/2012	Trexler	D6/323

* cited by examiner

Primary Examiner — Derrick Holland

Assistant Examiner — Lauren Calve

(74) *Attorney, Agent, or Firm* — Sughrue Mion, PLLC

(57) **CLAIM**

The ornamental design for a clothes rack, as shown and described.

DESCRIPTION

FIG. 1 is a perspective view of the clothes rack showing my new design;

FIG. 2 is a front elevational view thereof;

FIG. 3 is a side elevational view thereof; and,

FIG. 4 is a top plan view thereof.

1 Claim, 4 Drawing Sheets

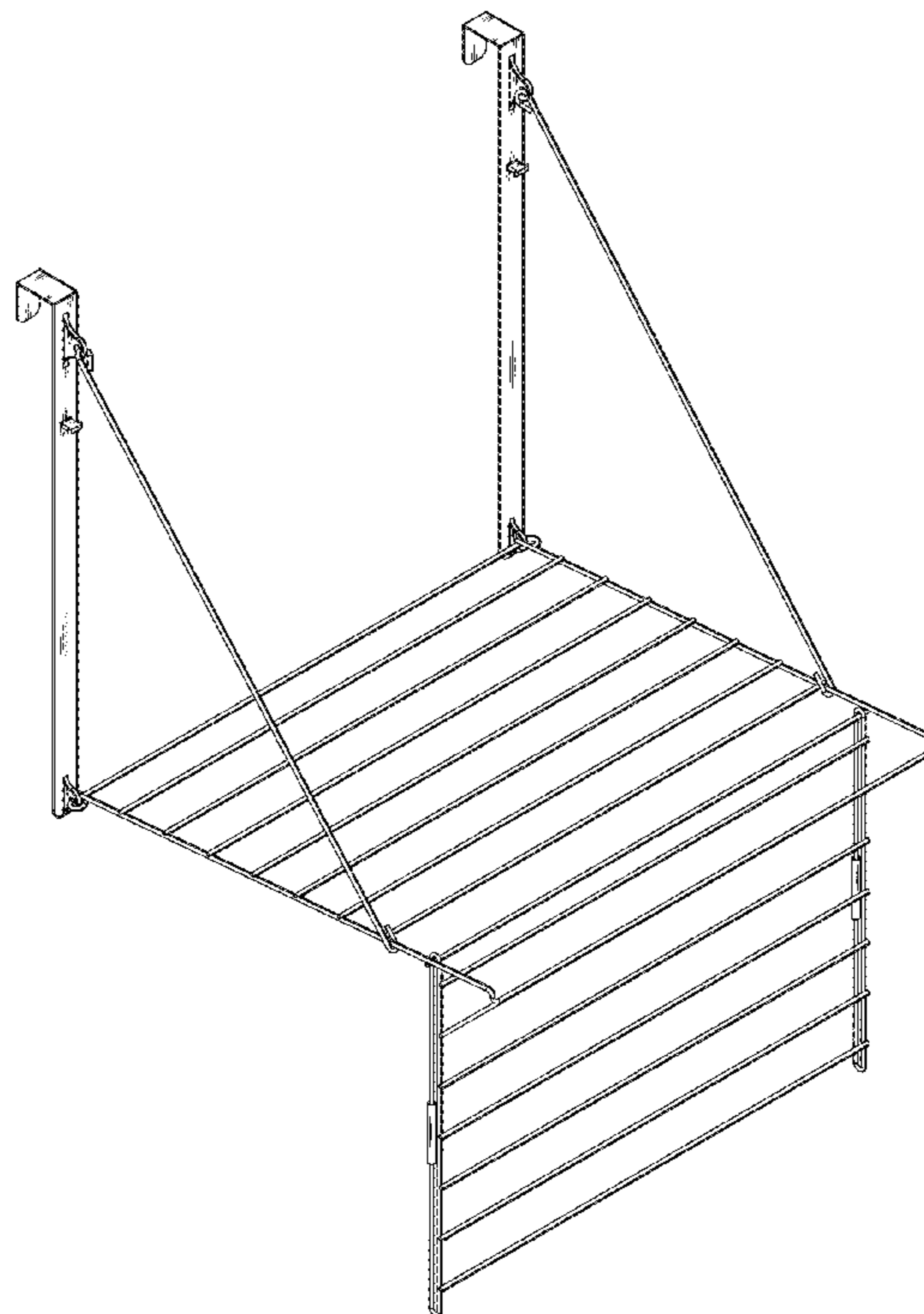


FIG. 1

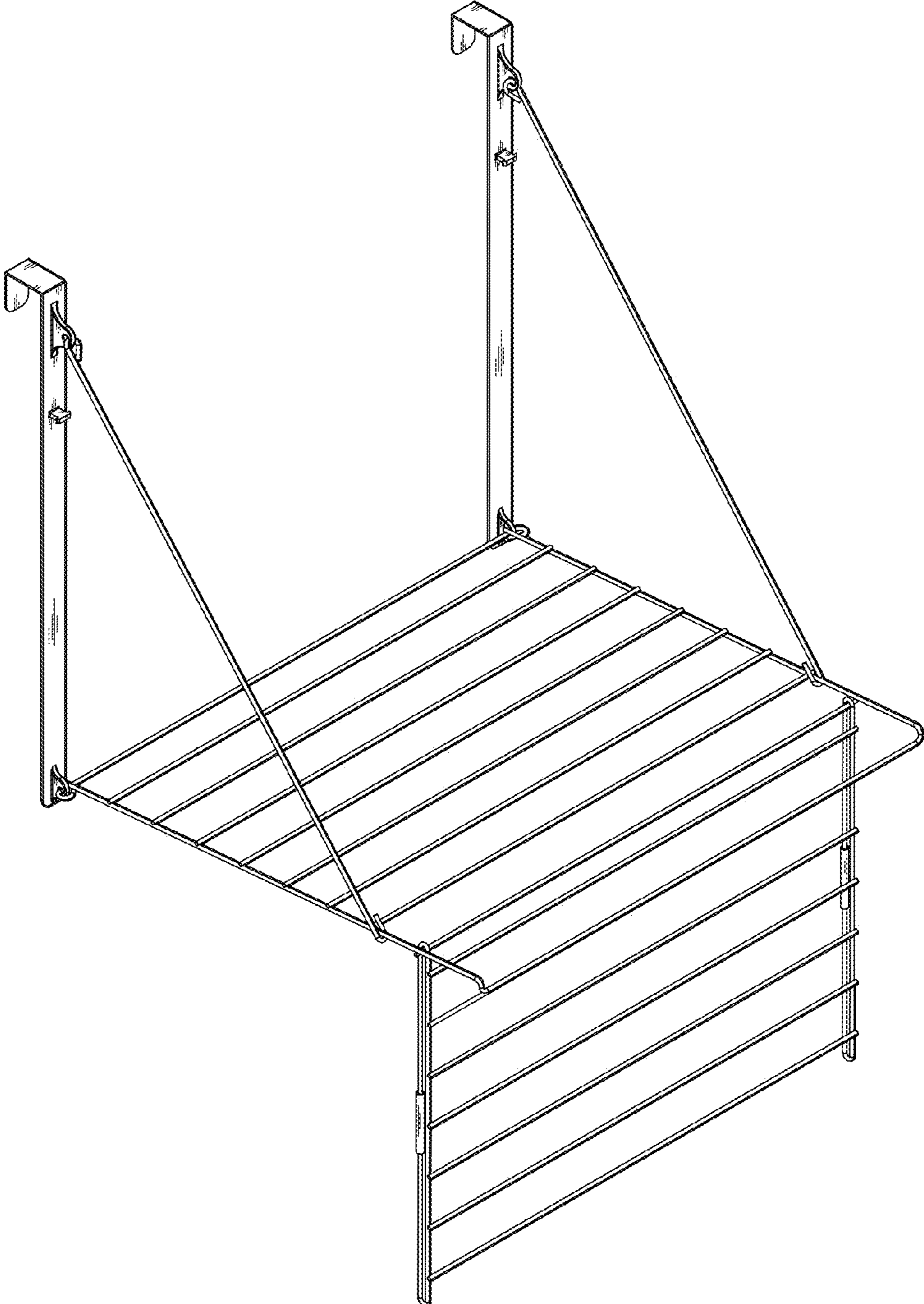


FIG. 2

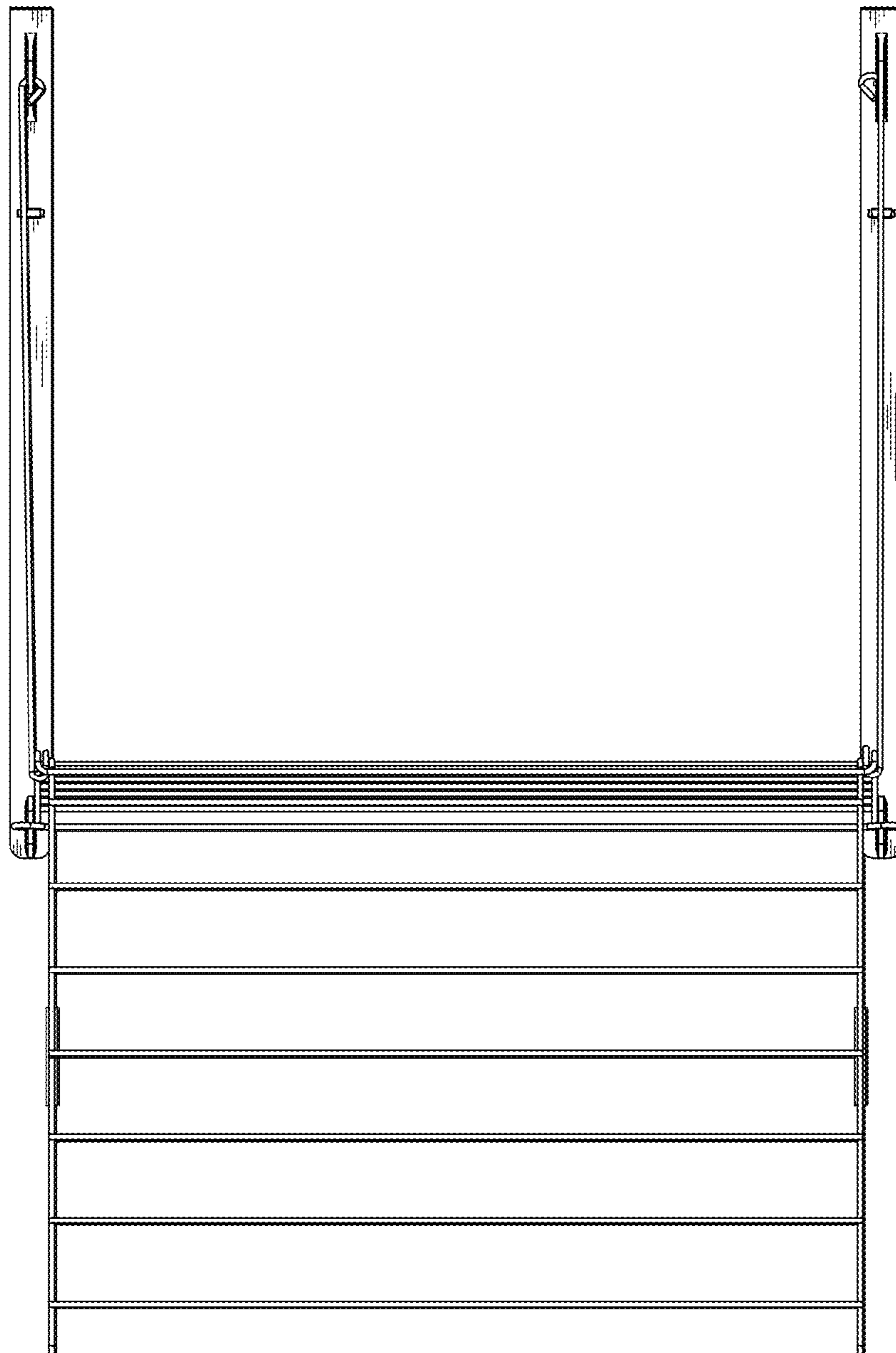


FIG. 3

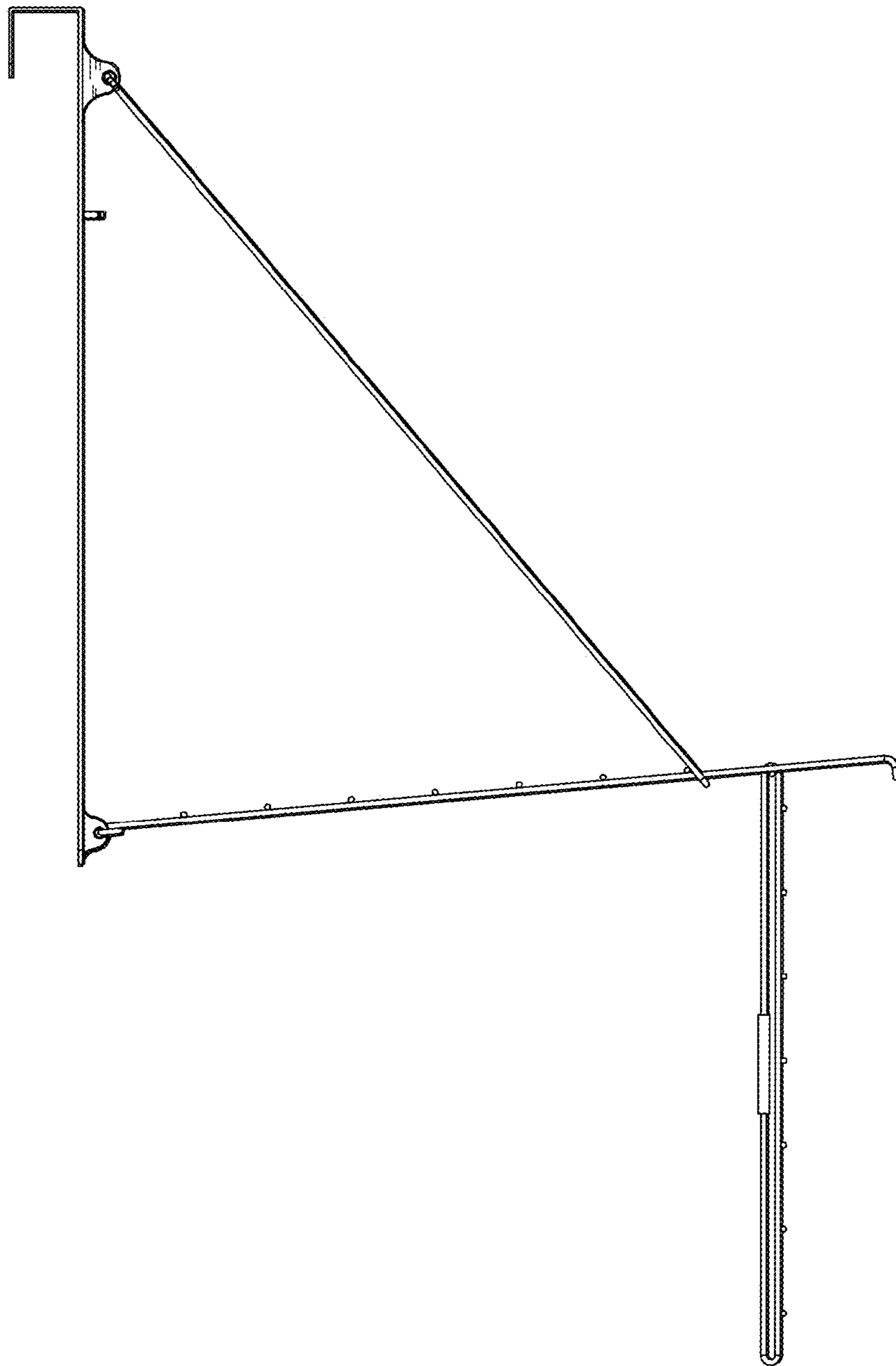


FIG. 4

