



US00D715061S

(12) **United States Design Patent**  
**Schouten et al.**

(10) **Patent No.:** **US D715,061 S**

(45) **Date of Patent:** **\*\* Oct. 14, 2014**

(54) **AUTOMOTIVE CLEANING BRUSH**

(71) Applicant: **Hopkins Manufacturing Corporation,**  
Emporia, KS (US)

(72) Inventors: **Pieter Schouten,** Berkeley, CA (US);  
**Marcus Gooden,** LomaLinda, CA (US)

(73) Assignee: **Hopkins Manufacturing Corporation,**  
Emporia, KS (US)

(\*\*) Term: **14 Years**

(21) Appl. No.: **29/452,811**

(22) Filed: **Apr. 22, 2013**

(51) **LOC (10) Cl.** ..... **04-01**

(52) **U.S. Cl.**  
USPC ..... **D4/138; D4/133**

(58) **Field of Classification Search**

CPC ..... A46B 5/02; A46B 5/021; A46B 5/023;  
A46B 5/025; A46B 2200/30; A46B  
2200/3026; A46B 2200/3022; A46B  
2200/3046; A46B 2200/3073; A46B  
2200/3093  
USPC ..... D4/132-134, 136, 138; D7/393, 395,  
D7/401.2; D8/82, 83, 107, 303; D28/28,  
D28/30, 63; D30/158, 159; D32/51, 52;  
15/143.1, 159.1, 160, 186-188;  
16/430, DIG. 12, DIG. 19; 119/600,  
119/611-616, 625, 633; 132/120, 142, 313

See application file for complete search history.

(56) **References Cited**

U.S. PATENT DOCUMENTS

D176,304 S	*	12/1955	Bennett	.....	D4/134
D227,623 S	*	7/1973	Spydevold	.....	D4/134
D492,121 S	*	6/2004	Hay et al.	.....	D4/134
D504,572 S	*	5/2005	Kuo et al.	.....	D4/133
D564,853 S	*	3/2008	Chen	.....	D8/107
D584,060 S	*	1/2009	Hay et al.	.....	D4/138
D616,277 S	*	5/2010	Molina et al.	.....	D8/82
D696,519 S	*	12/2013	Schouten et al.	.....	D4/138

FOREIGN PATENT DOCUMENTS

KR 20-2010-0007766 U \* 8/2010 ..... B60S 1/68

\* cited by examiner

*Primary Examiner* — Melanie H Tung

*Assistant Examiner* — Lavone D Tabor

(74) *Attorney, Agent, or Firm* — George R. McGuire; Bond  
Schoeneck & King, PLLC

(57) **CLAIM**

The ornamental design for an automotive cleaning brush, as shown and described.

**DESCRIPTION**

FIG. 1 is a perspective view of an automotive cleaning brush showing our new design, the bristles being shown in broken lines to illustrate portions of the brush that form no part of the claimed design;

FIG. 2 is a front elevation view thereof;

FIG. 3 is a rear elevation view thereof;

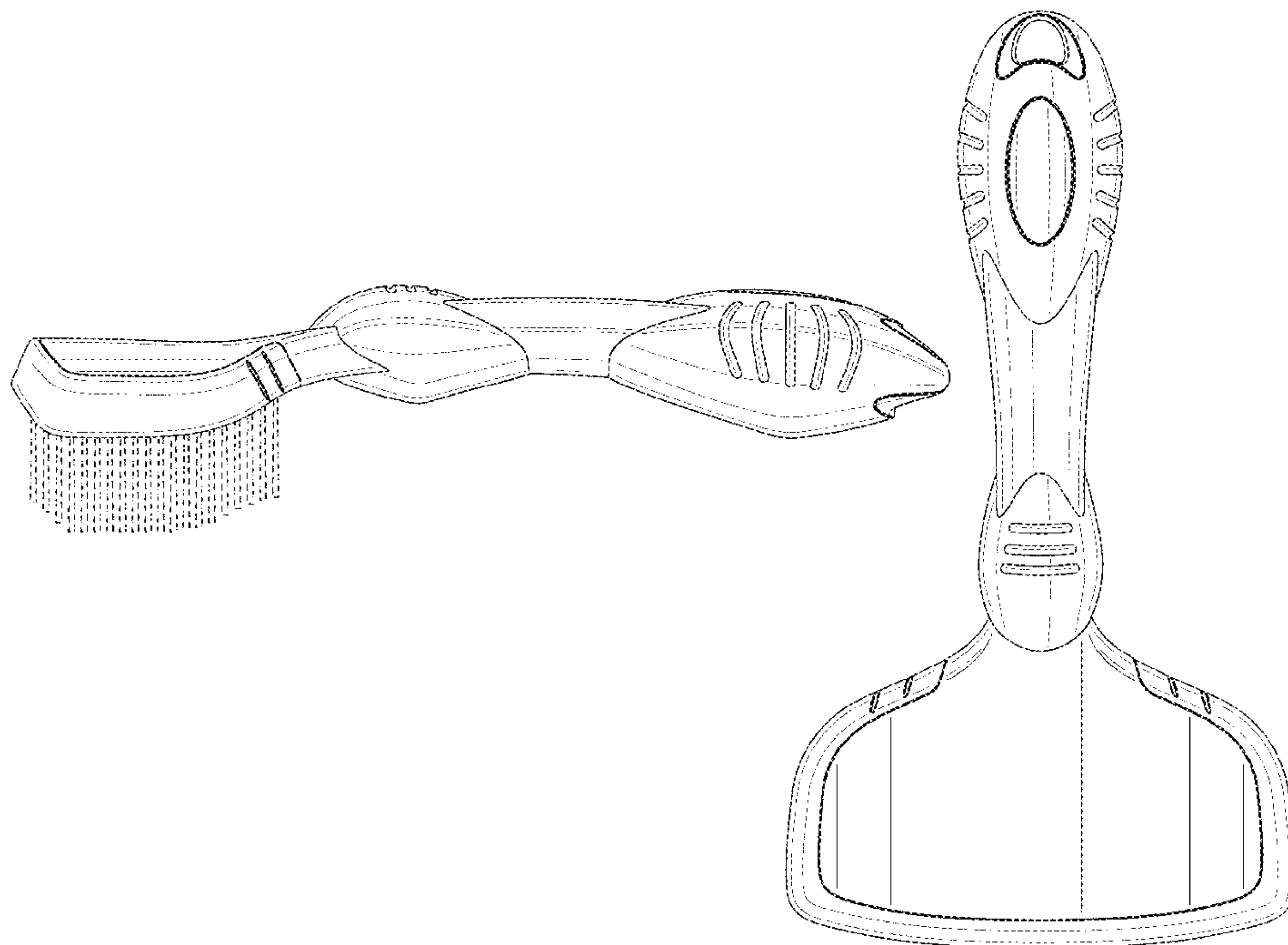
FIG. 4 is a first side elevation view thereof;

FIG. 5 is a second side elevation view thereof;

FIG. 6 is a top plan view thereof; and,

FIG. 7 is a bottom plan view thereof.

**1 Claim, 7 Drawing Sheets**



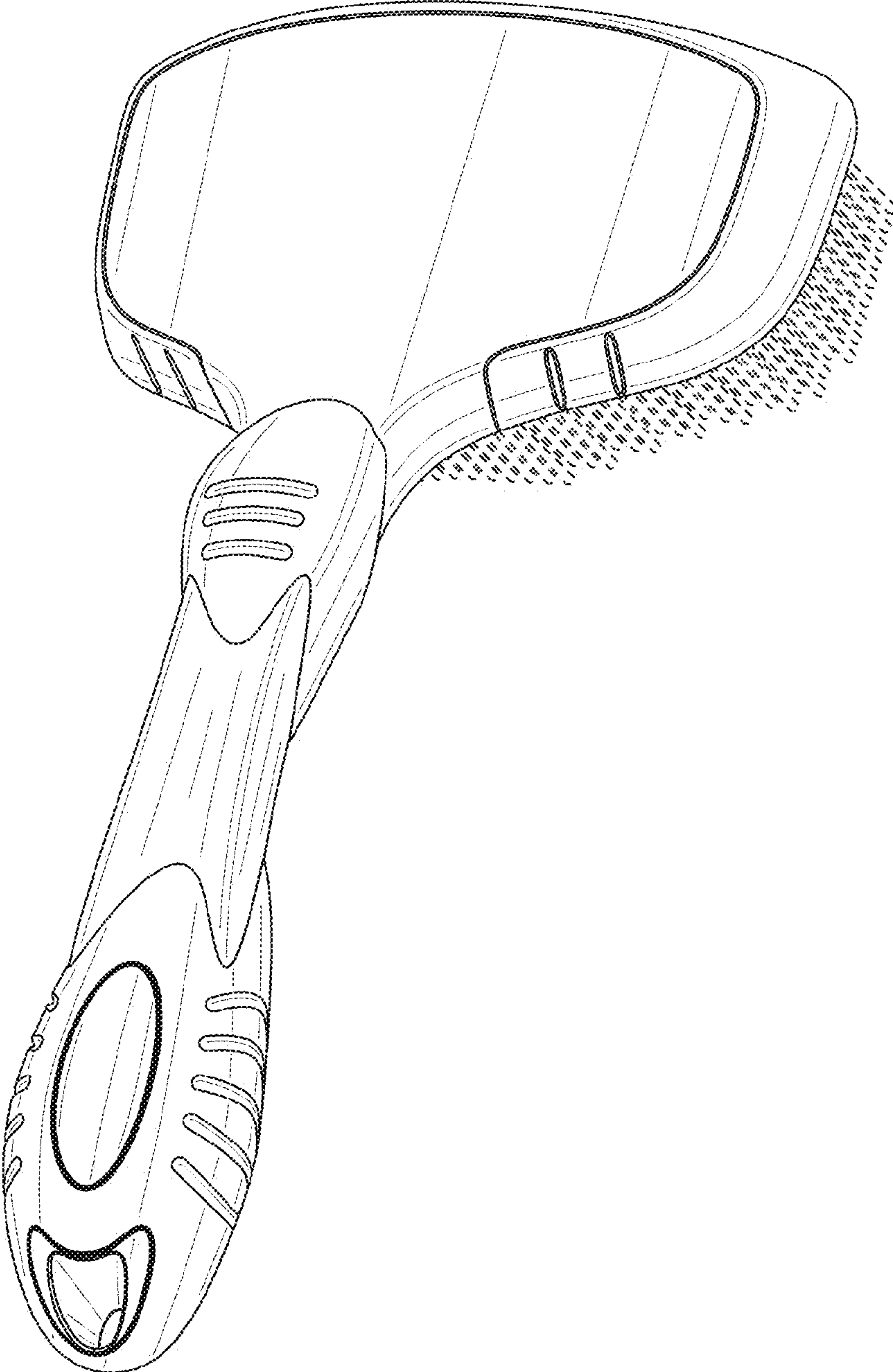


FIG. 1

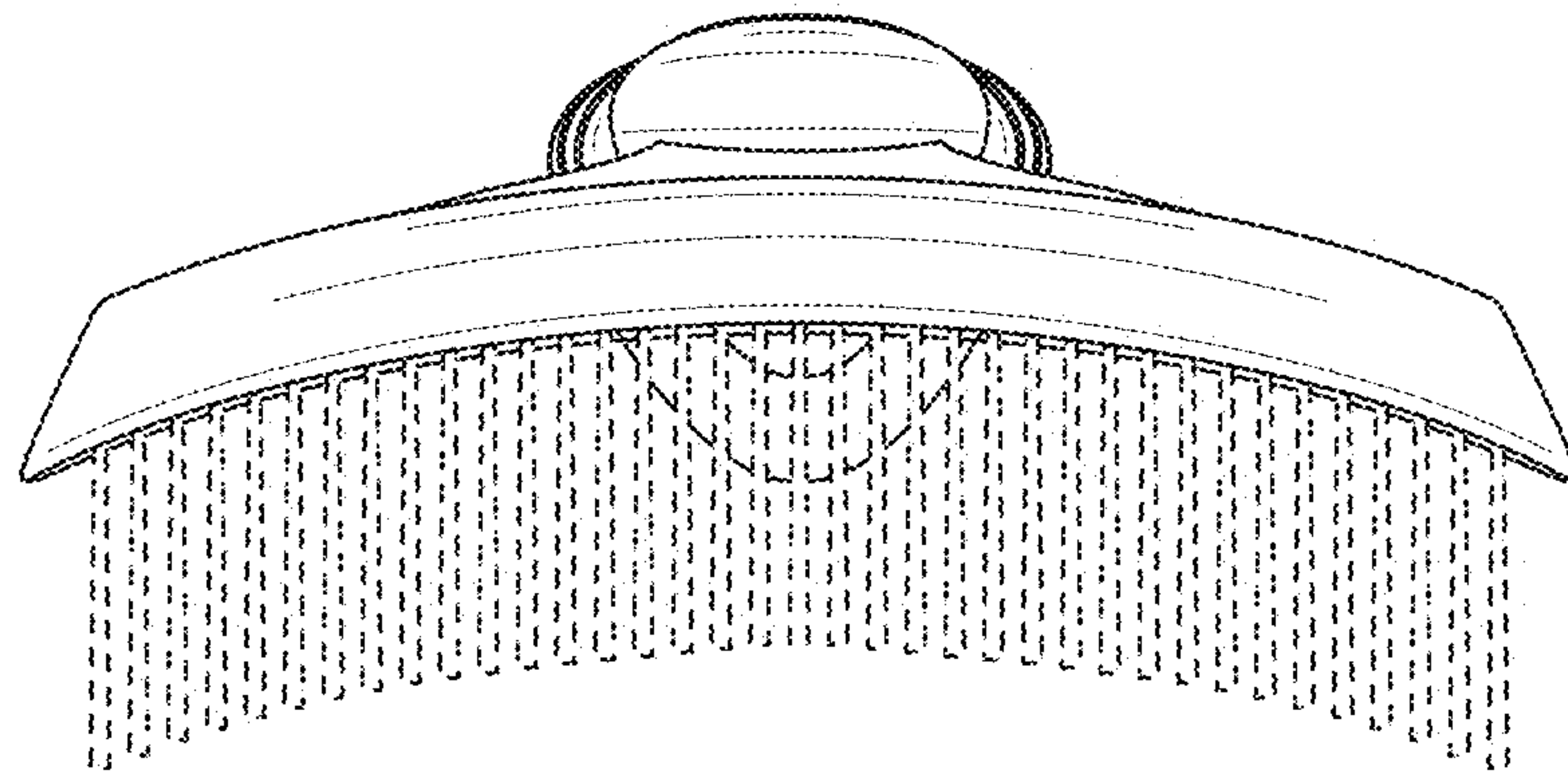


FIG. 2

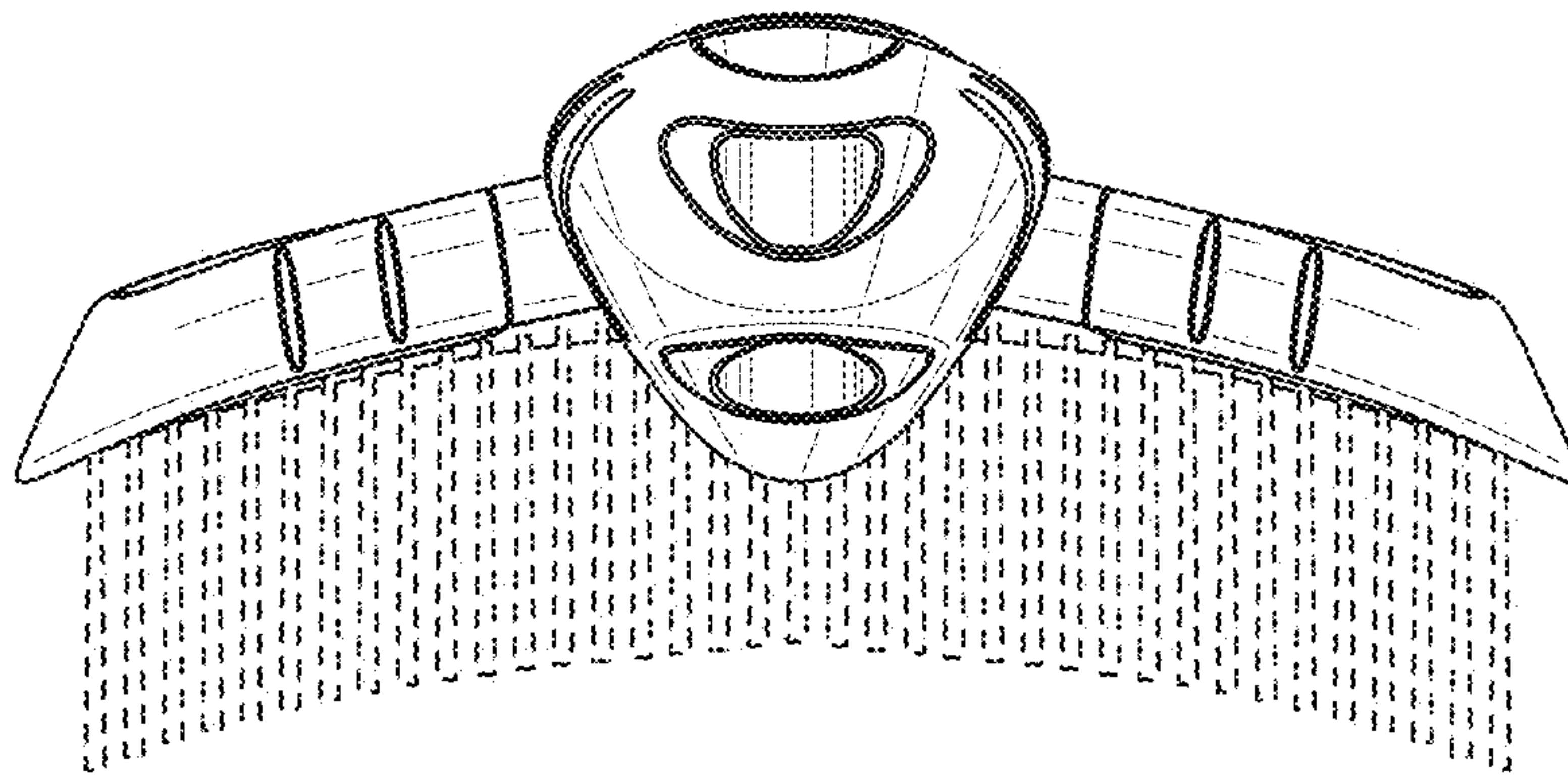


FIG. 3

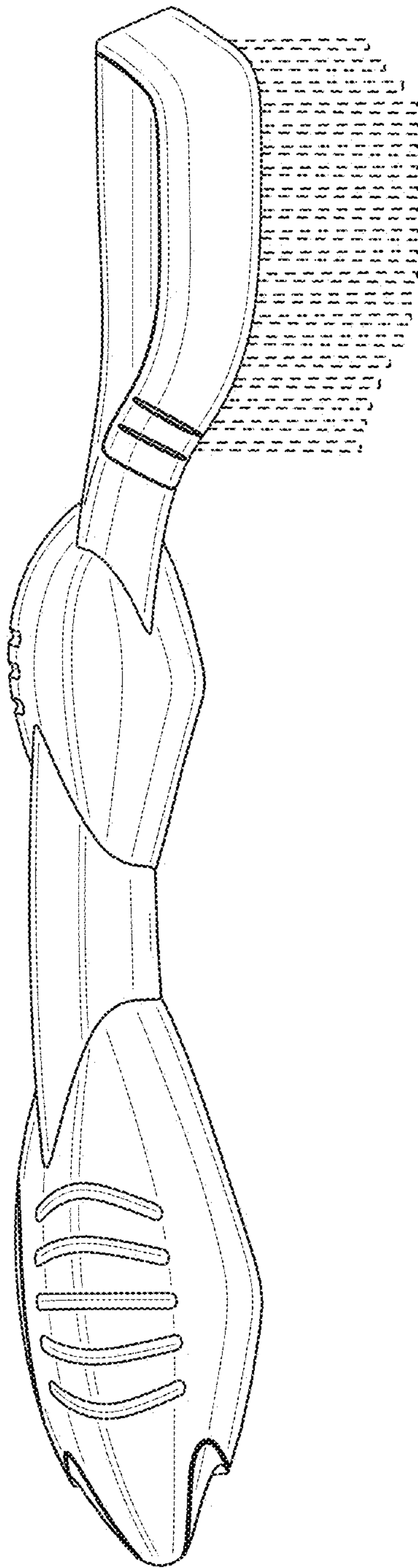


FIG. 4



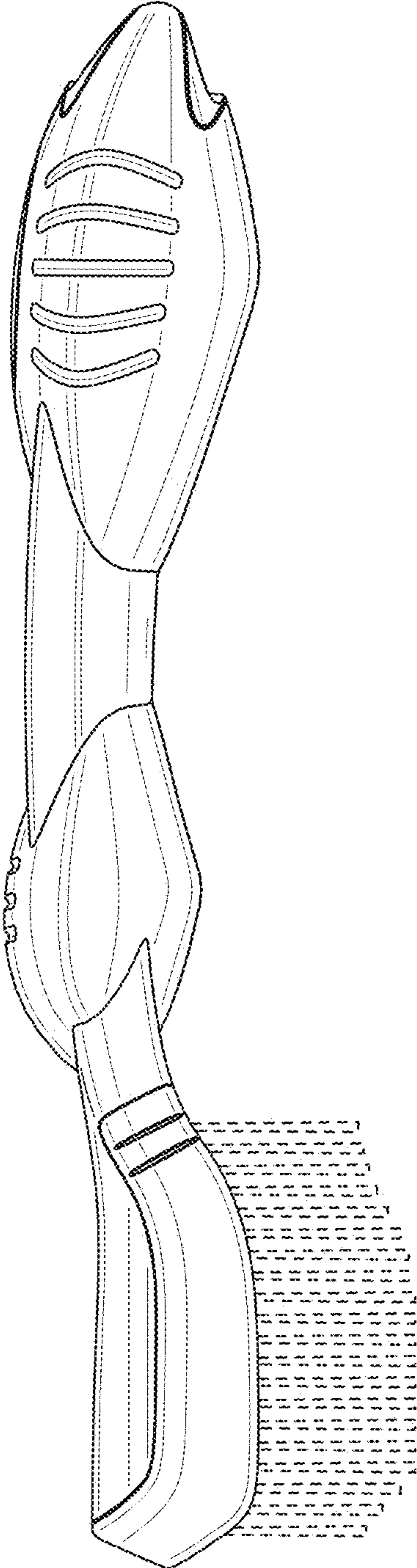


FIG. 5

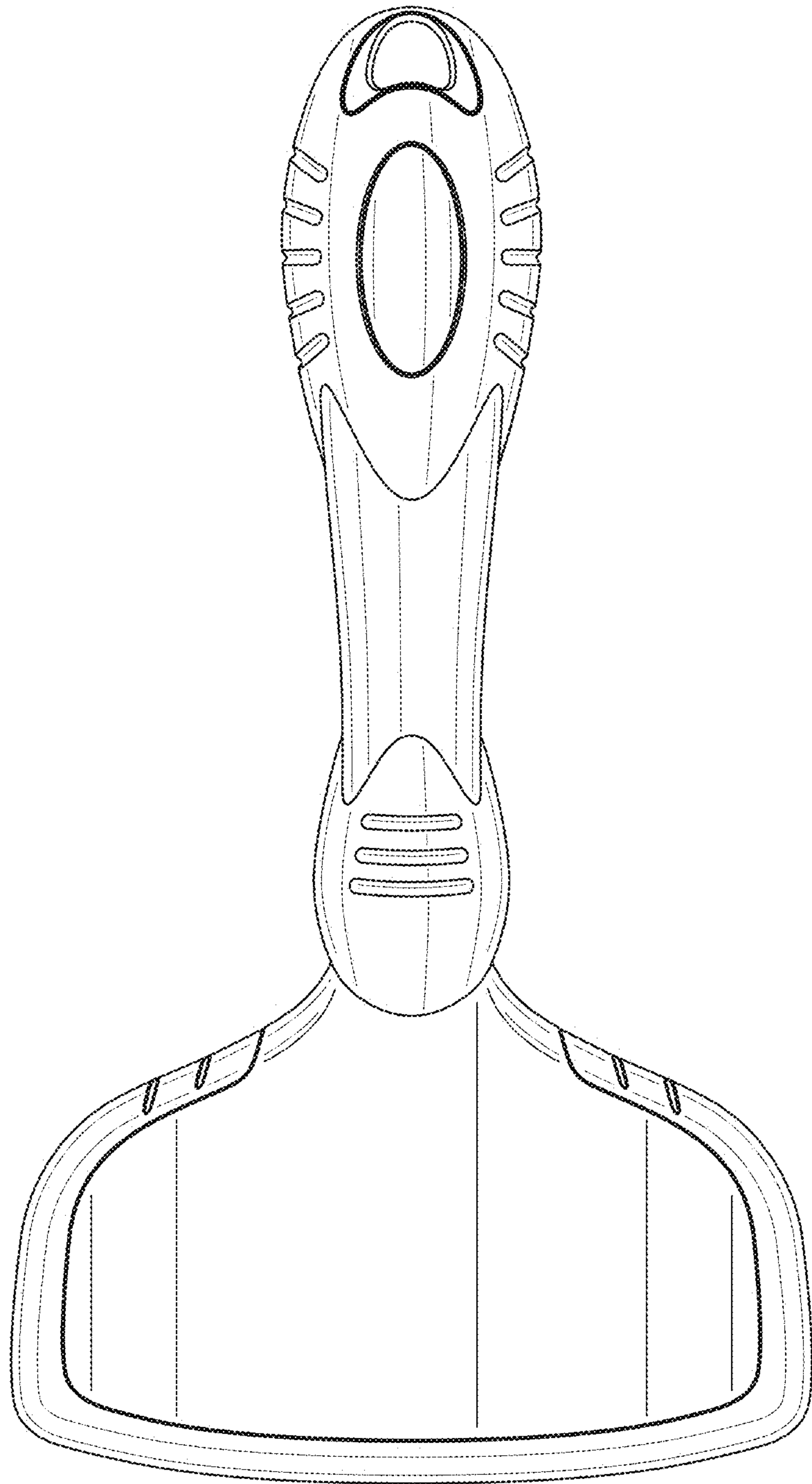


FIG. 6

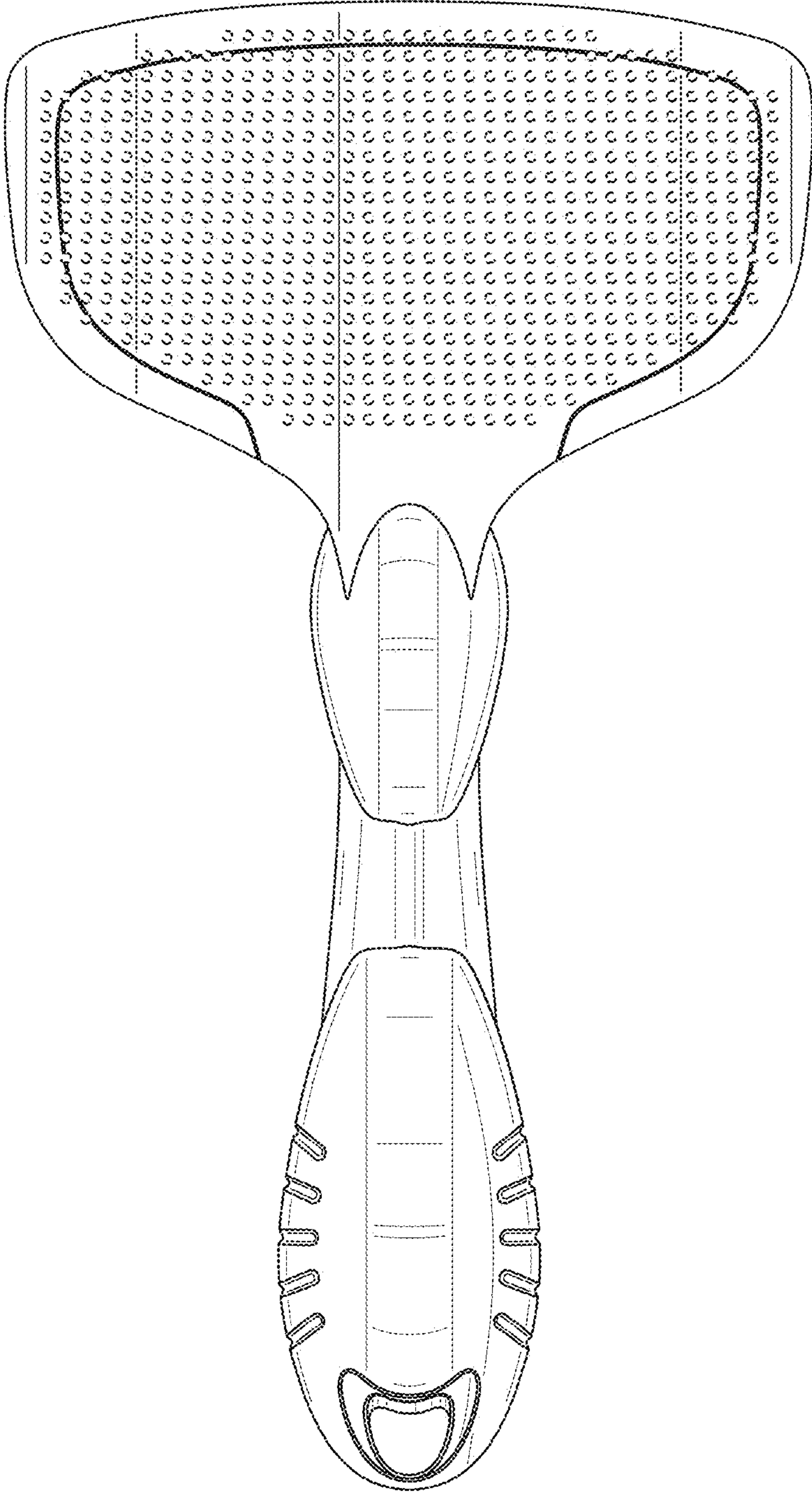


FIG. 7