



US00D715058S

(12) **United States Design Patent**
Roth et al.

(10) **Patent No.:** **US D715,058 S**

(45) **Date of Patent:** **** Oct. 14, 2014**

(54) **COMBINED GRILL OILER AND CLEANER**

(71) Applicants: **Justin S. Roth**, Saint Louis, MO (US);
Winton C. Roth, Saint Louis, MO (US);
Stephen M. Roth, Saint Louis, MO (US)

(72) Inventors: **Justin S. Roth**, Saint Louis, MO (US);
Winton C. Roth, Saint Louis, MO (US);
Stephen M. Roth, Saint Louis, MO (US)

(73) Assignee: **Roth Circle II, LLC**, Saint Louis, MO (US)

(**) Term: **14 Years**

(21) Appl. No.: **29/463,709**

(22) Filed: **Feb. 18, 2014**

(51) **LOC (10) Cl.** **04-01**

(52) **U.S. Cl.**
USPC **D4/114; D4/136**

(58) **Field of Classification Search**
CPC A46B 5/02; A46B 9/05; A46B 2200/30;
A46B 2200/3073; A46B 2200/3093; A46B
11/00; A46B 11/0006; A46B 11/001; A46B
11/0013; A46B 11/0017; A46B 11/002;
A46B 11/62
USPC D4/114, 132-134, 136, 138; D28/63;
D32/51, 52; 15/143.1, 159.1, 160,
15/186-188; 401/28, 136-138, 268-272,
401/274, 276, 282, 284, 291

See application file for complete search history.

(56) **References Cited**

U.S. PATENT DOCUMENTS

1,395,763	A *	11/1921	Mulherin	401/291
2,990,564	A *	7/1961	Sweeney et al.	401/23
6,443,646	B1 *	9/2002	MacDonald	401/39
D522,246	S *	6/2006	Franczak et al.	D4/119
8,099,822	B2 *	1/2012	Dale et al.	15/231
D674,671	S *	1/2013	Borovicka et al.	D7/669
8,672,572	B1 *	3/2014	Almada	401/205
2010/0067972	A1 *	3/2010	Ashworth et al.	401/270

* cited by examiner

Primary Examiner — Melanie H Tung

Assistant Examiner — Lavone D Tabor

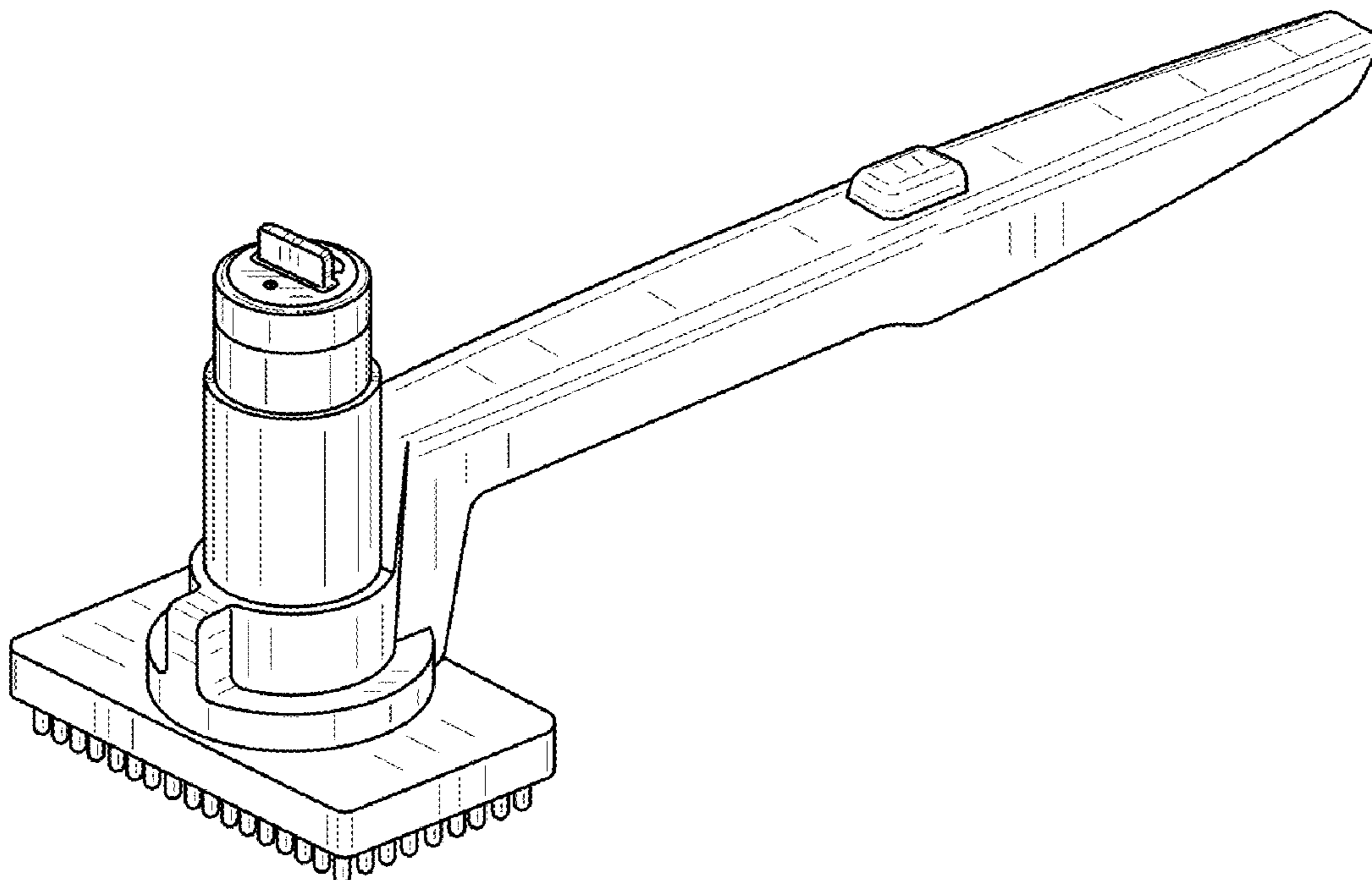
(57) **CLAIM**

The ornamental design for the combined grill oiler and cleaner, as shown and described.

DESCRIPTION

FIG. 1 is an isometric view of the combined grill oiler and cleaner of this invention;
FIG. 2 is a right side view;
FIG. 3 is a left side view;
FIG. 4 is a front view;
FIG. 5 is a rear view;
FIG. 6 is a top plan view; and,
FIG. 7 is a bottom view.

1 Claim, 2 Drawing Sheets



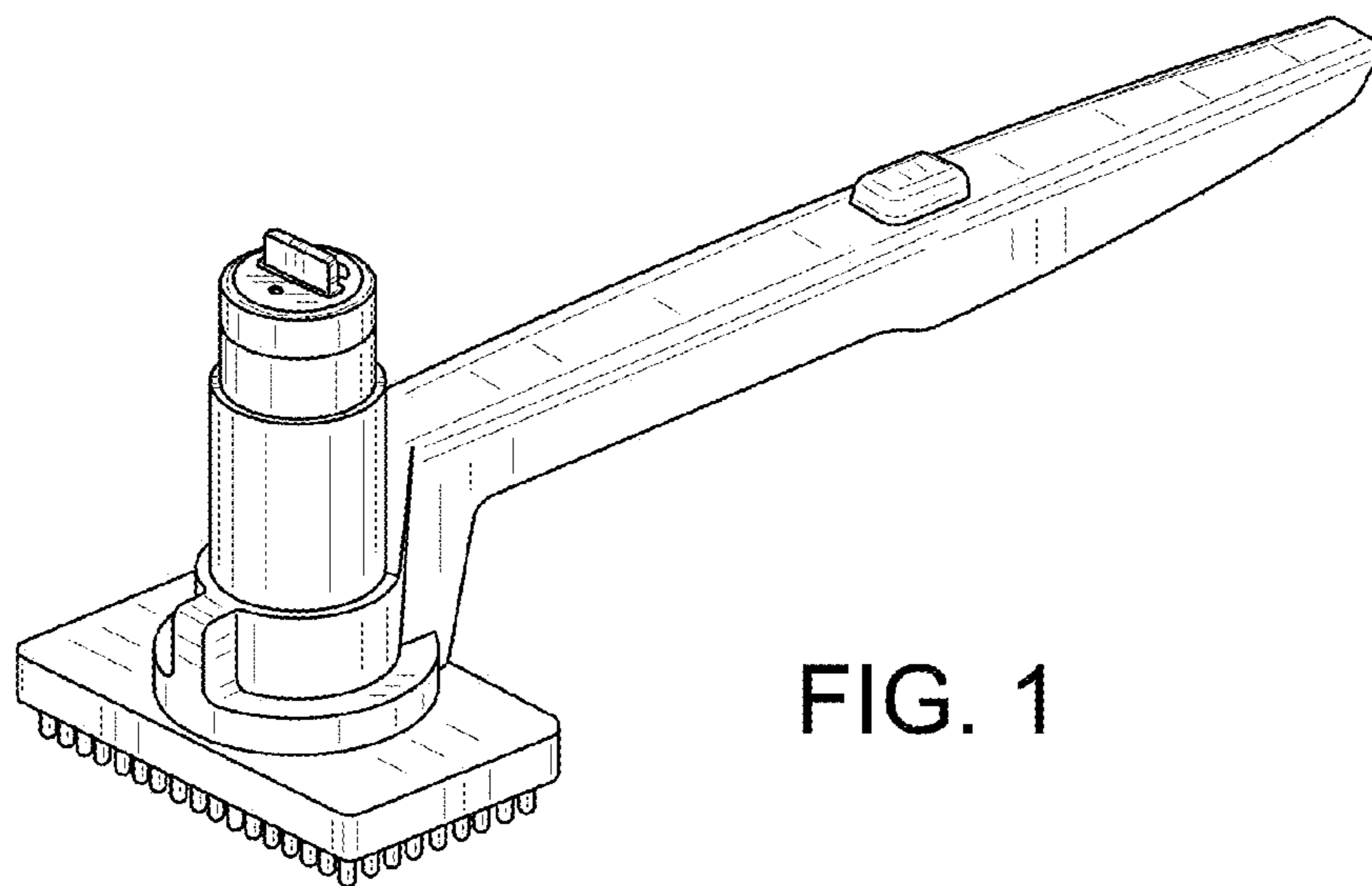


FIG. 1

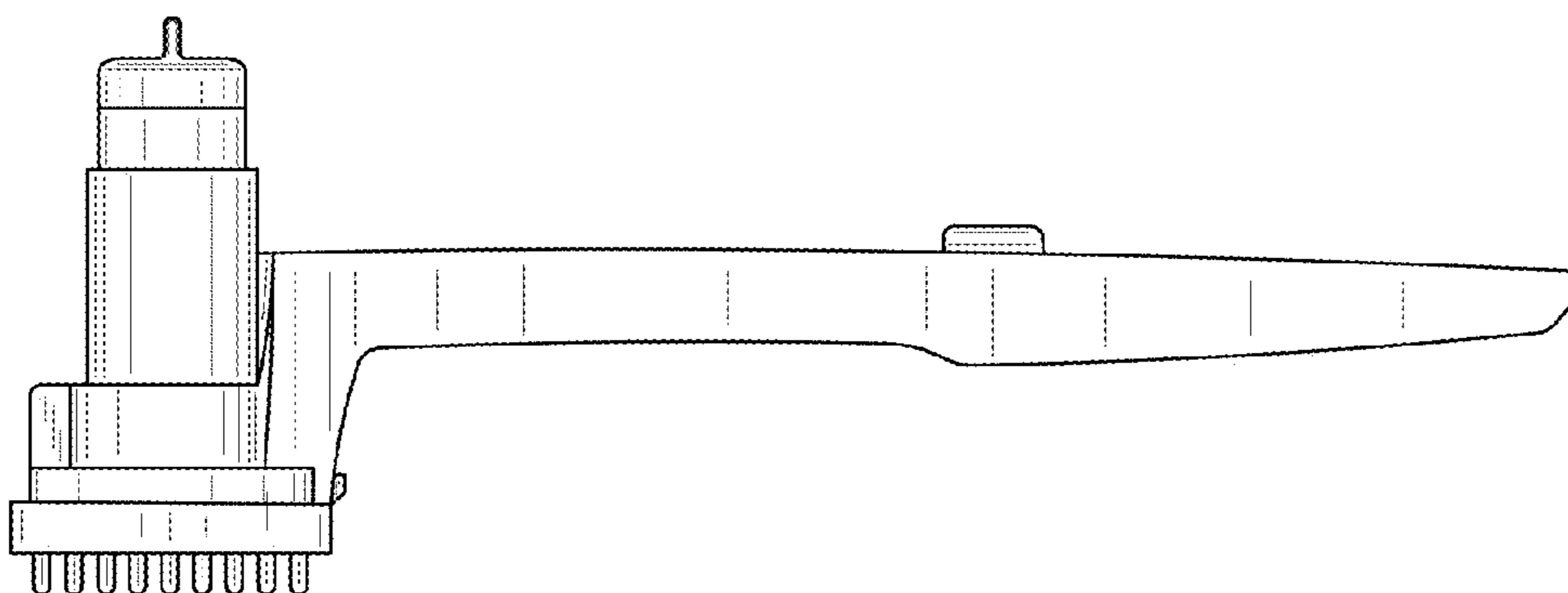


FIG. 2

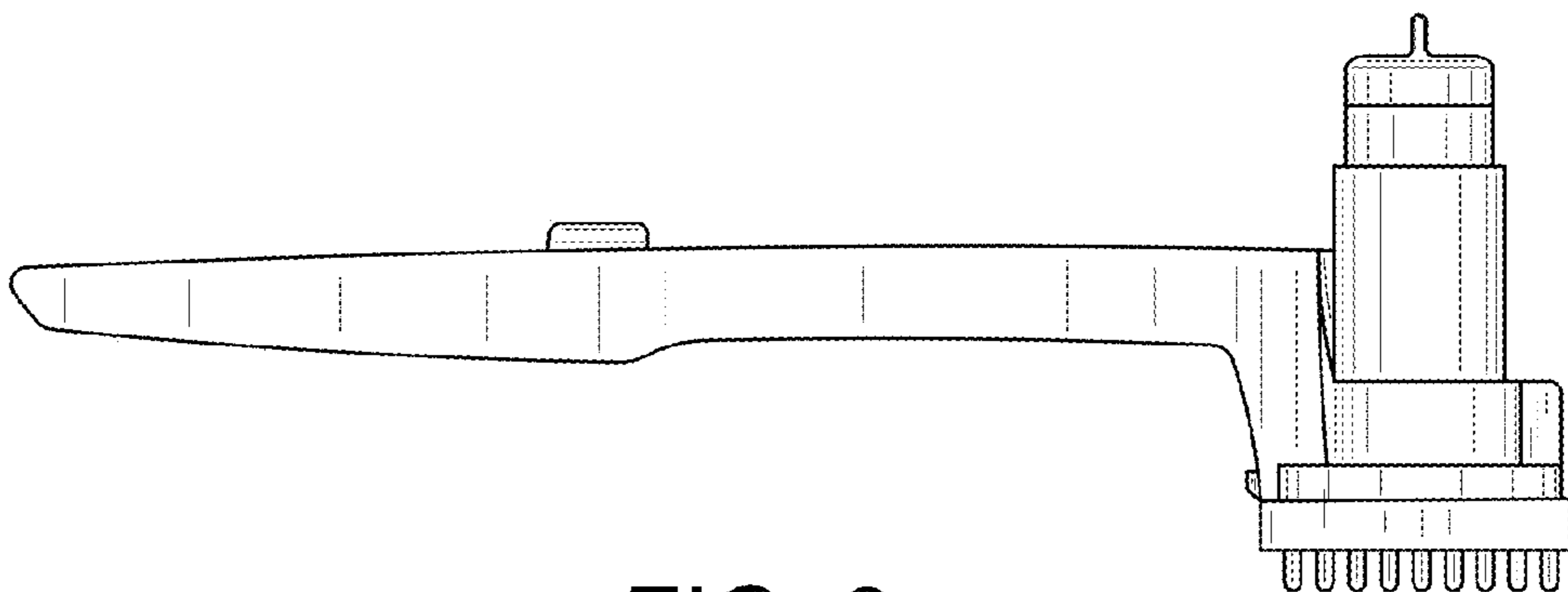


FIG. 3

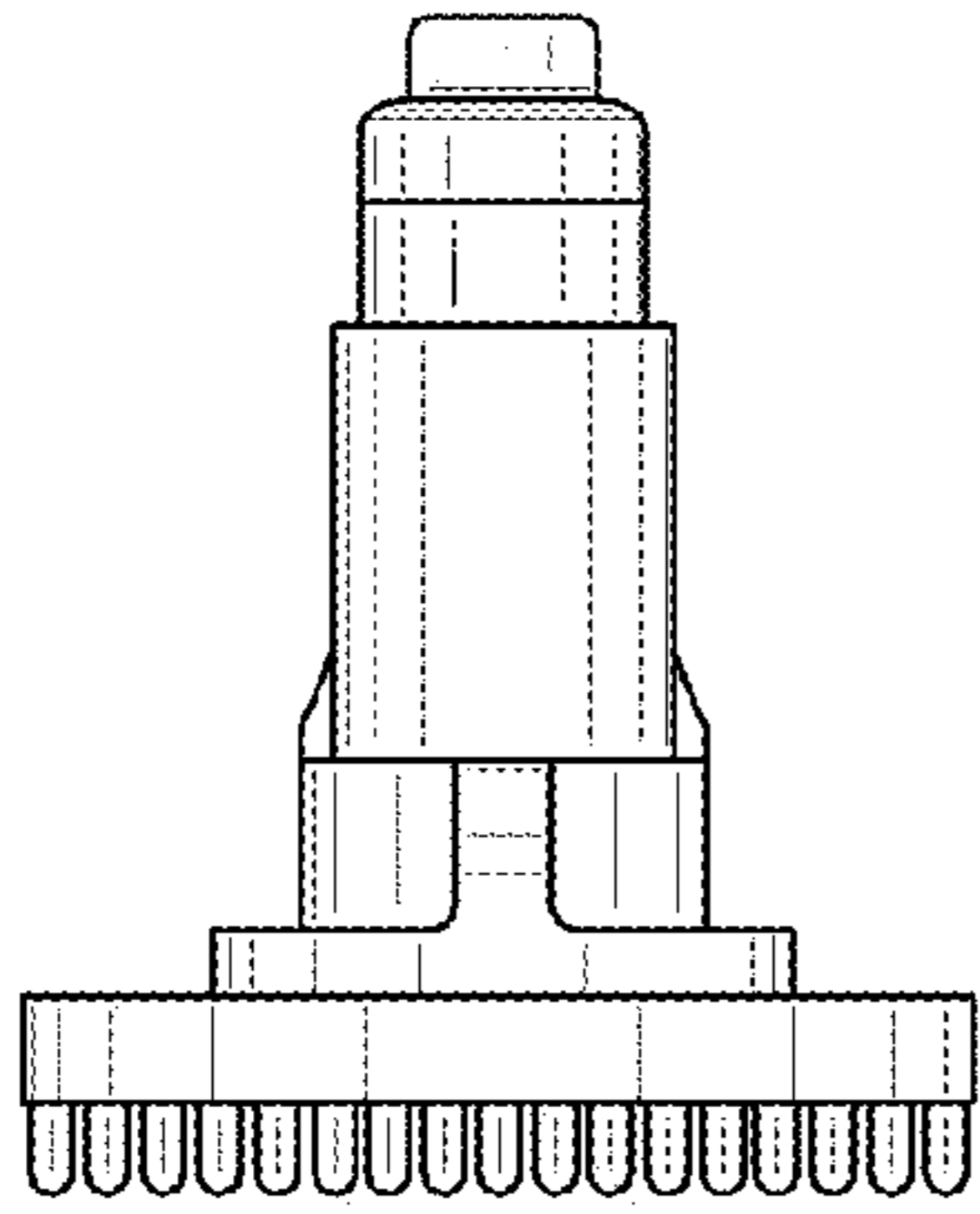


FIG. 4

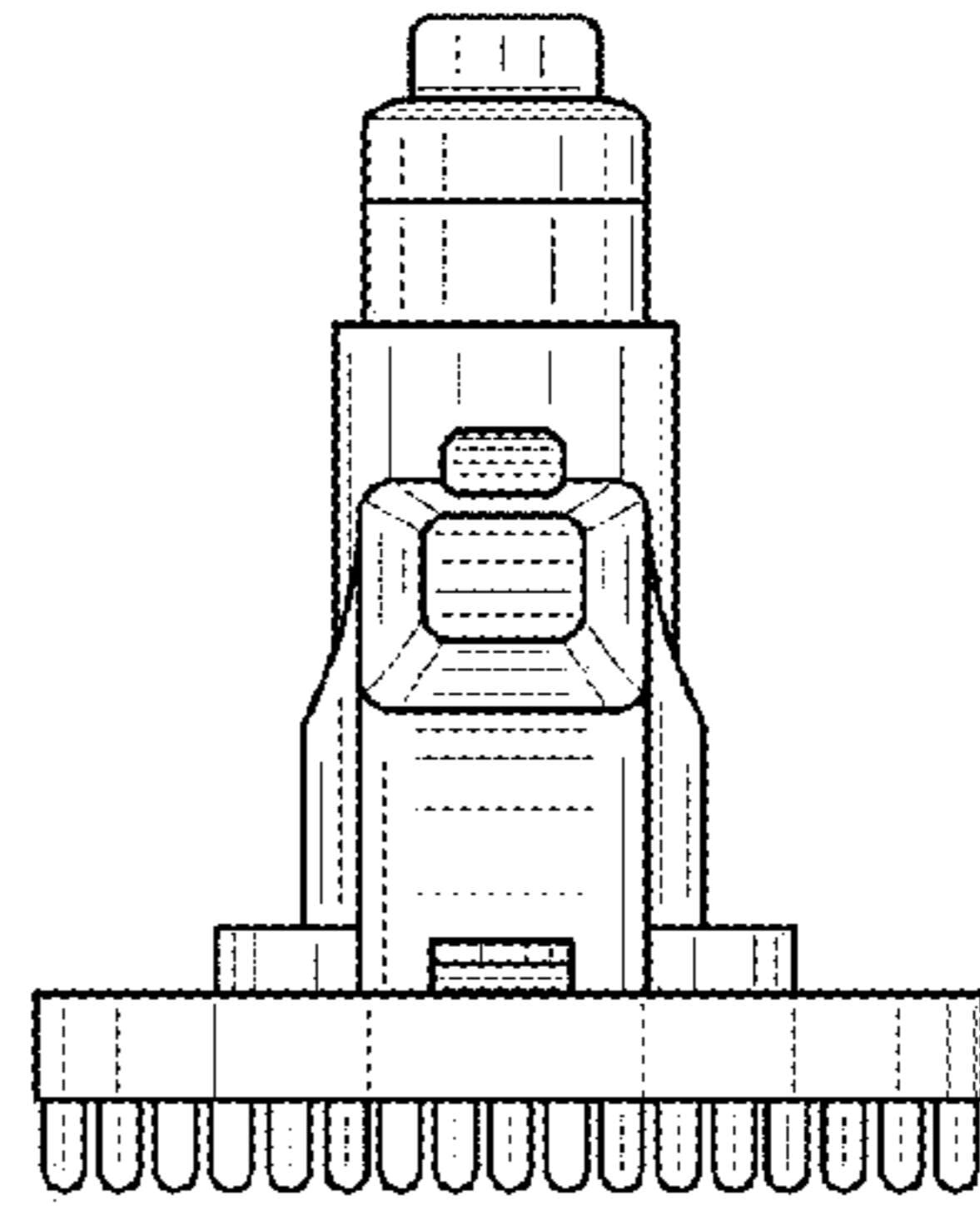


FIG. 5

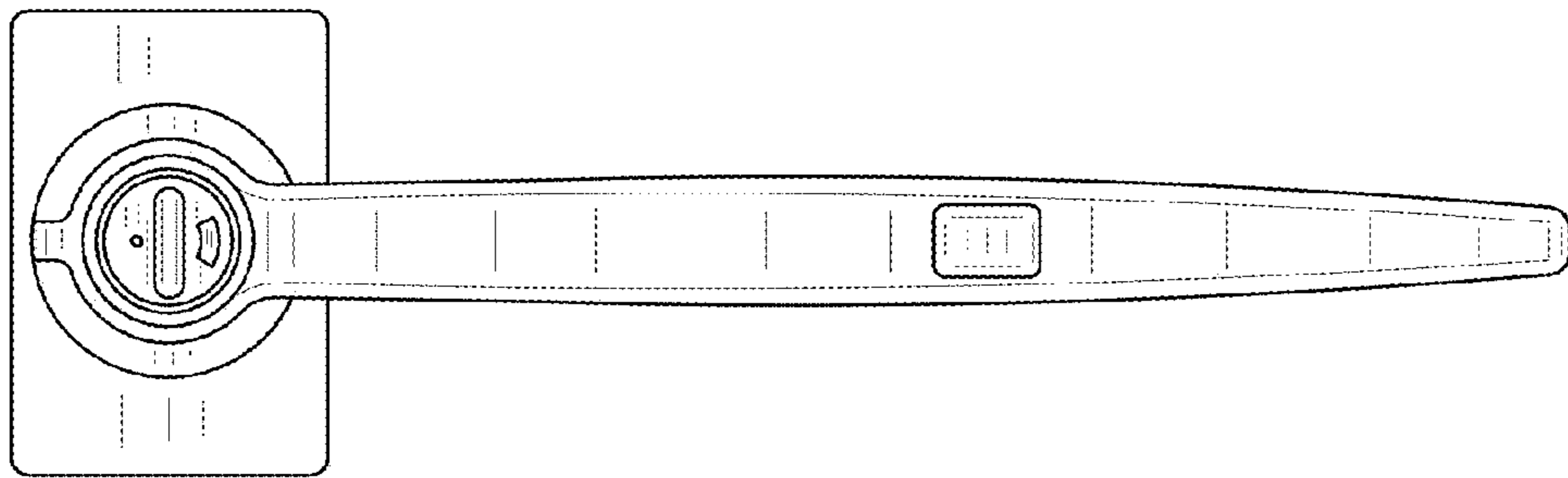


FIG. 6

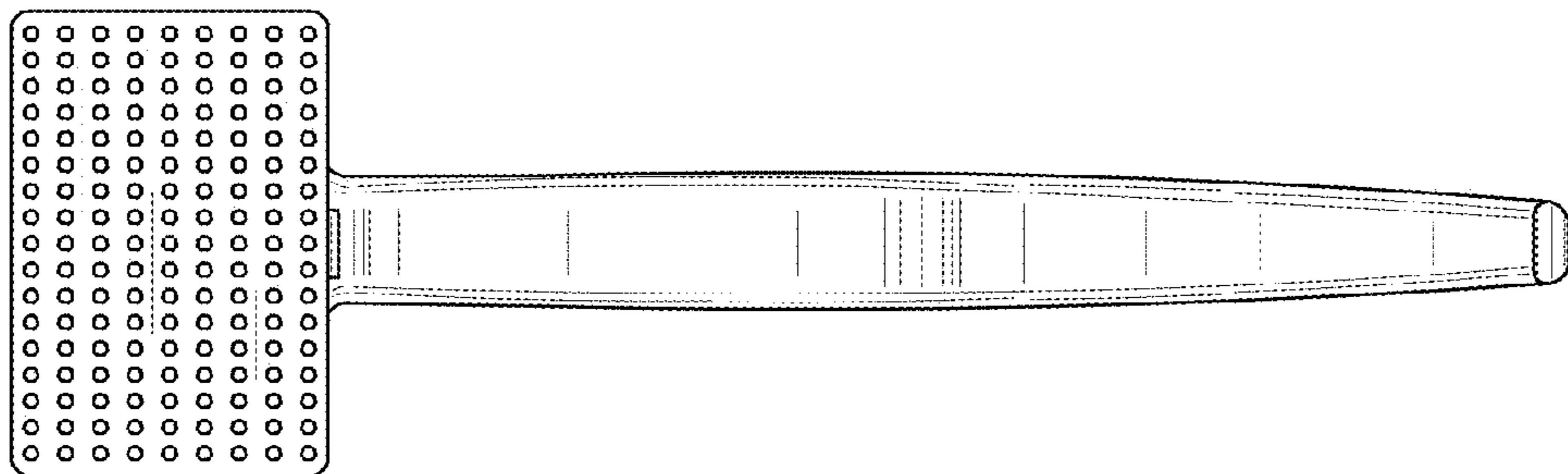


FIG. 7