



US00D715056S

(12) **United States Design Patent**
Alejandro et al.

(10) **Patent No.:** **US D715,056 S**

(45) **Date of Patent:** **** Oct. 14, 2014**

(54) **ELECTRIC TOOTHBRUSH**

(75) Inventors: **Alma Alejandro**, Maineville, OH (US);
Simone Back, Frankfurt am Main (DE);
Harald De Buhr, Frankfurt am Main
(DE); **Michael Schmid**, Frankfurt am
Main (DE); **Tilmann Winkler**, Kronberg
(DE)

(73) Assignee: **Braun GmbH**, Kronberg (DE)

(**) Term: **14 Years**

(21) Appl. No.: **29/399,155**

(22) Filed: **Aug. 10, 2011**

(51) **LOC (10) Cl.** **28-03**

(52) **U.S. Cl.**
USPC **D4/101**

(58) **Field of Classification Search**
USPC D4/101, 104–112, 138; 15/143.1, 145,
15/159.1, 160, 167.1, 167.2; 16/430;
132/308–311; 601/139, 141, 142;
D8/61; D24/133, 152; 81/57.11, 57.14,
81/57.31, 57.42

See application file for complete search history.

(56) **References Cited**

U.S. PATENT DOCUMENTS

D197,763 S	3/1964	Aymar
D200,623 S	3/1965	Peterson
D204,127 S	3/1966	Syverson
3,242,516 A	3/1966	Cantor
D361,433 S	8/1995	Yang
D385,703 S	11/1997	Etter
D387,908 S	12/1997	Stutzer et al.
D388,958 S	1/1998	Hartwein
D396,957 S	8/1998	Allende
D411,769 S	7/1999	Wright

D436,254 S	1/2001	Kling et al.	
D440,766 S	4/2001	Hartwein et al.	
D453,996 S	3/2002	Kling et al.	
D455,010 S	4/2002	Kling	
D479,046 S *	9/2003	Winkler	D4/104
D494,371 S *	8/2004	Berde	D4/105
D500,208 S	12/2004	Vu	
D509,585 S	9/2005	Kling et al.	
D510,662 S	10/2005	Kling et al.	
D533,720 S	12/2006	Vu	
D632,483 S *	2/2011	Crossman	D4/101
2009/0144921 A1 *	6/2009	Newsome	15/143.1

FOREIGN PATENT DOCUMENTS

JP	2003319831 A	*	11/2003
JP	1269137 S	*	4/2006

* cited by examiner

Primary Examiner — Melanie H Tung

Assistant Examiner — Lavone D Tabor

(74) *Attorney, Agent, or Firm* — John P. Colbert

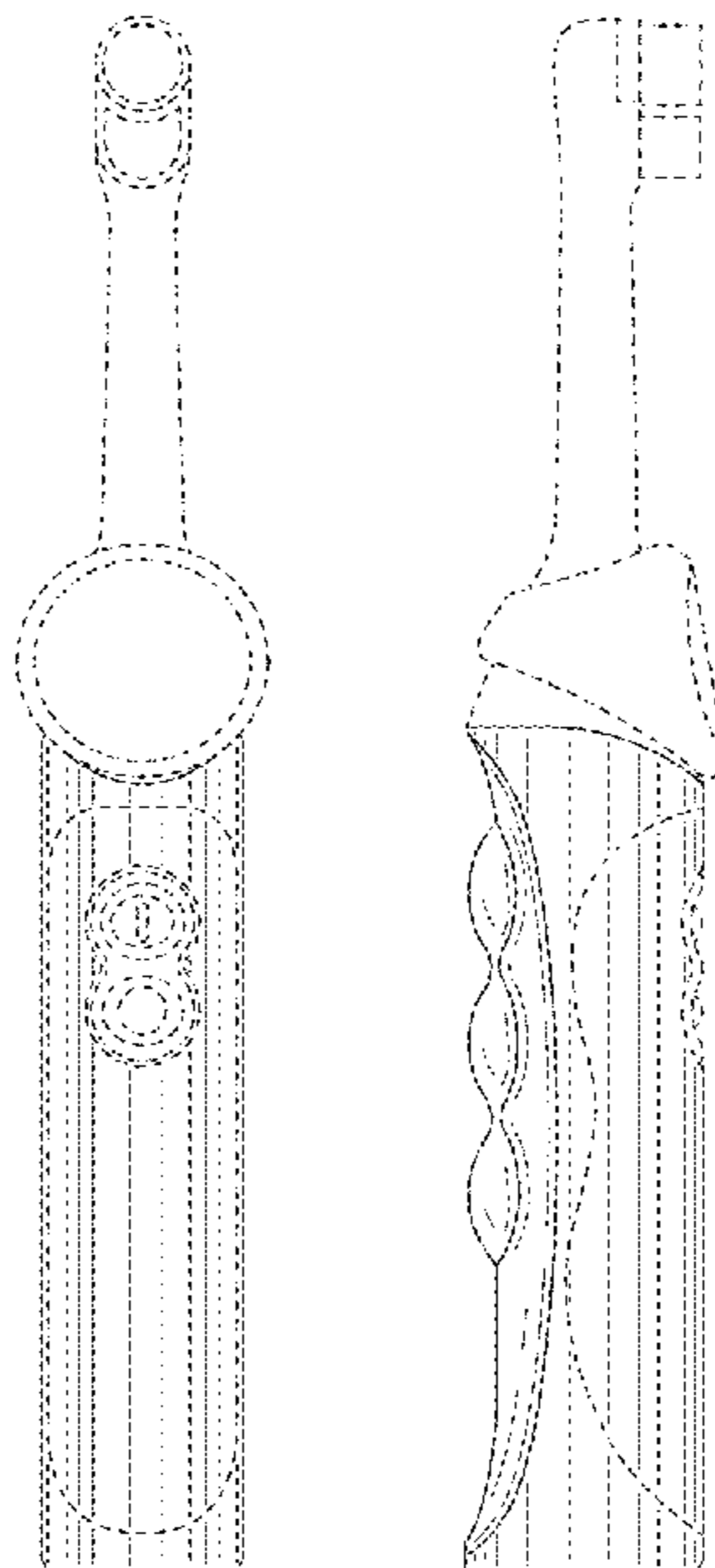
(57) **CLAIM**

The ornamental design for an electric toothbrush, as shown and described.

DESCRIPTION

FIG. 1 is a perspective view of an electric toothbrush; FIG. 2 is a front view of an electric toothbrush; FIG. 3 is a right side view of an electric toothbrush; FIG. 4 is a rear view of an electric toothbrush; FIG. 5 is a left side view of an electric toothbrush; FIG. 6 is a top plan view of an electric toothbrush; and, FIG. 7 is a bottom view of an electric toothbrush. The broken lines showing a brush head and handle features illustrate portions of the electric toothbrush that form no part of the claimed design.

1 Claim, 1 Drawing Sheet



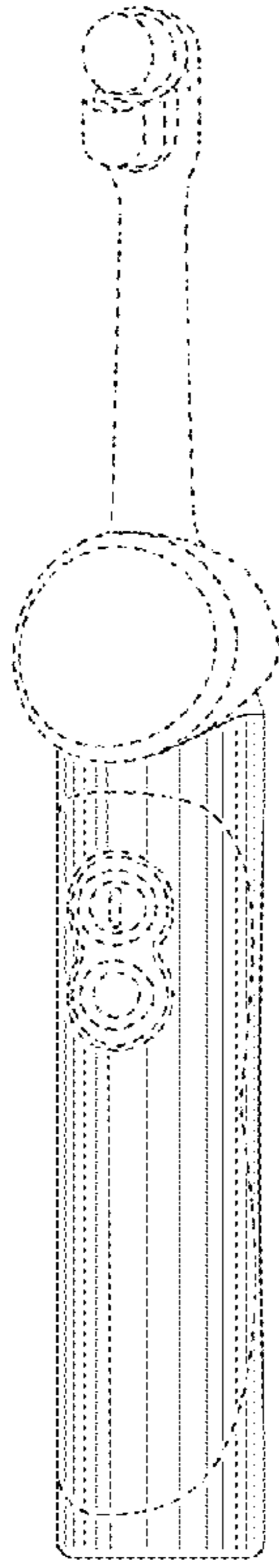


Fig. 1

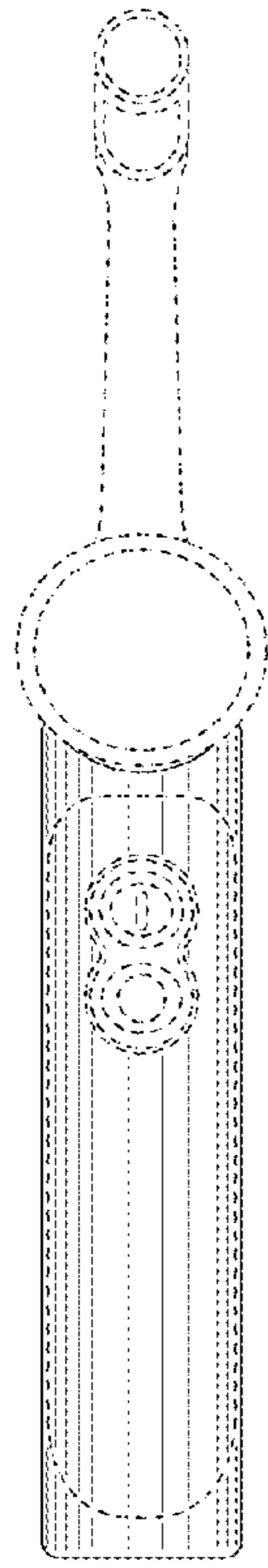


Fig. 2

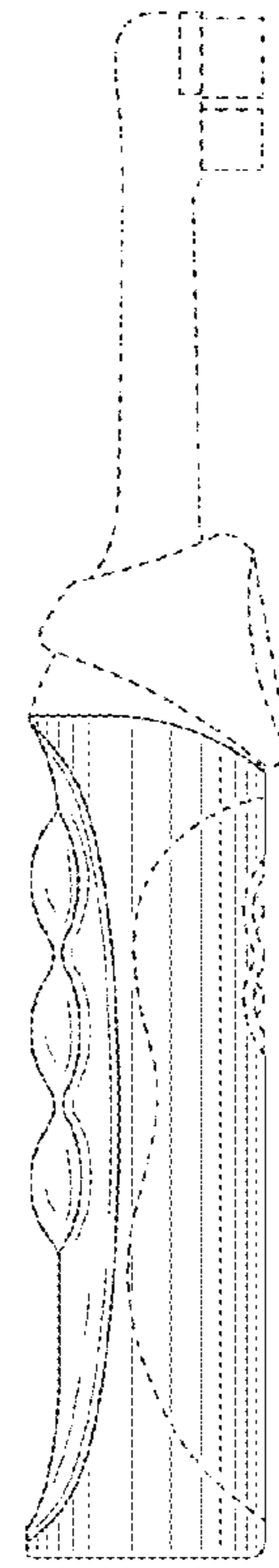


Fig. 3

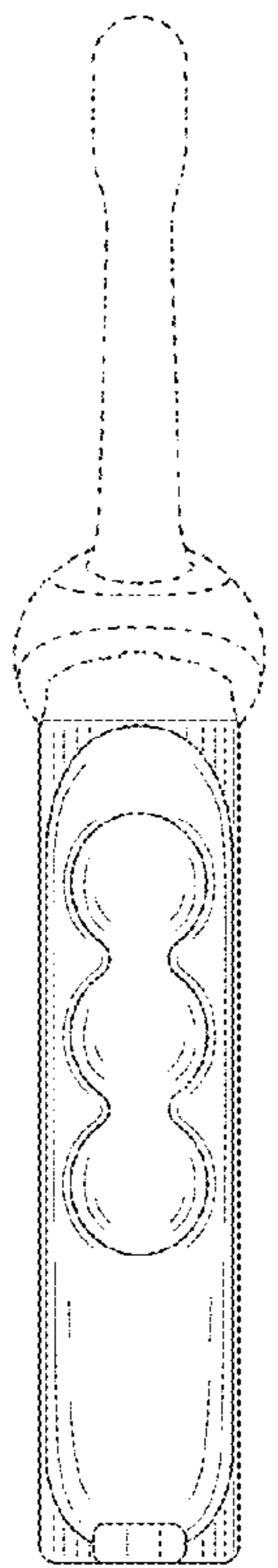


Fig. 4

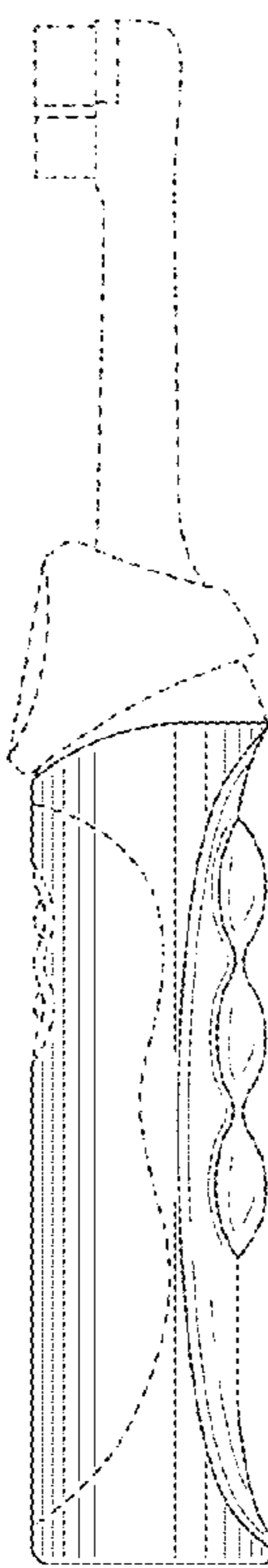


Fig. 5

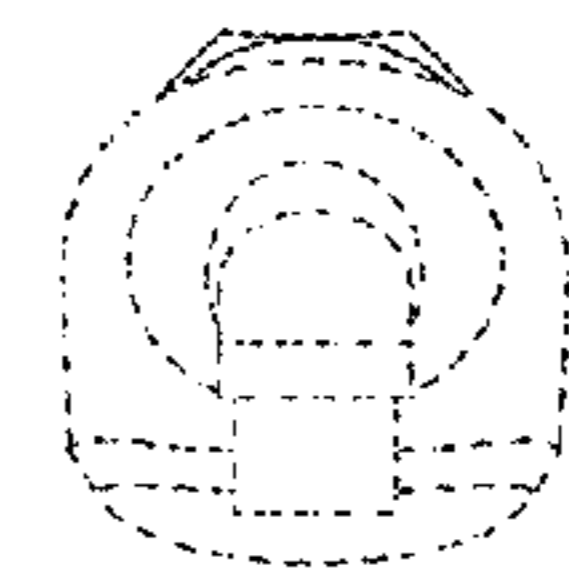


Fig. 6

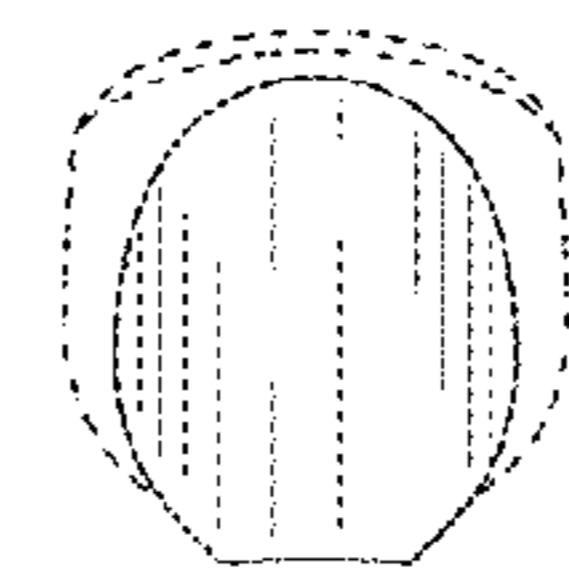


Fig. 7