



US00D715055S

(12) **United States Design Patent**
Bruce et al.

(10) **Patent No.:** **US D715,055 S**
(45) **Date of Patent:** **** Oct. 14, 2014**

- (54) **GOLF BAG TOP**
- (71) Applicant: **Karsten Manufacturing Corporation**,
Phoenix, AZ (US)
- (72) Inventors: **Ryan J. Bruce**, Phoenix, AZ (US); **John H. Loudenslager**, Phoenix, AZ (US);
Brian J. McGuire, Phoenix, AZ (US)
- (73) Assignee: **Karsten Manufacturing Corporation**,
Phoenix, AZ (US)
- (**) Term: **14 Years**
- (21) Appl. No.: **29/465,820**
- (22) Filed: **Aug. 30, 2013**
- (51) **LOC (10) Cl.** **03-01**
- (52) **U.S. Cl.**
USPC **D3/320; D3/255**
- (58) **Field of Classification Search**
CPC **A47F 7/0021**
USPC **150/159, 160; 206/315.2, 315.3, 315.4,**
206/315.5, 315.6, 315.7, 315.8; 211/70.2;
280/DIG. 6; 473/287; D3/255, 318,
D3/319, 320, 321, 328
See application file for complete search history.

- D308,441 S 6/1990 Quellais
- 5,099,990 A 3/1992 Antonious
- 5,431,278 A 7/1995 Gretz
- 5,450,955 A 9/1995 Olson
- D372,362 S 8/1996 Bryant
- D373,667 S 9/1996 Hunsaker
- D382,406 S 8/1997 Kim
- D382,707 S 8/1997 Wang
- D385,113 S 10/1997 Beck
- D385,114 S 10/1997 Su
- D389,311 S 1/1998 Wang
- D389,650 S 1/1998 Rhee
- 5,725,095 A 3/1998 Beck
- D402,469 S 12/1998 Suk
- D406,459 S 3/1999 Sundara
- 5,941,383 A 8/1999 Chen

(Continued)

Primary Examiner — Cathron Brooks
Assistant Examiner — Ethiene Salgado-Rodriguez

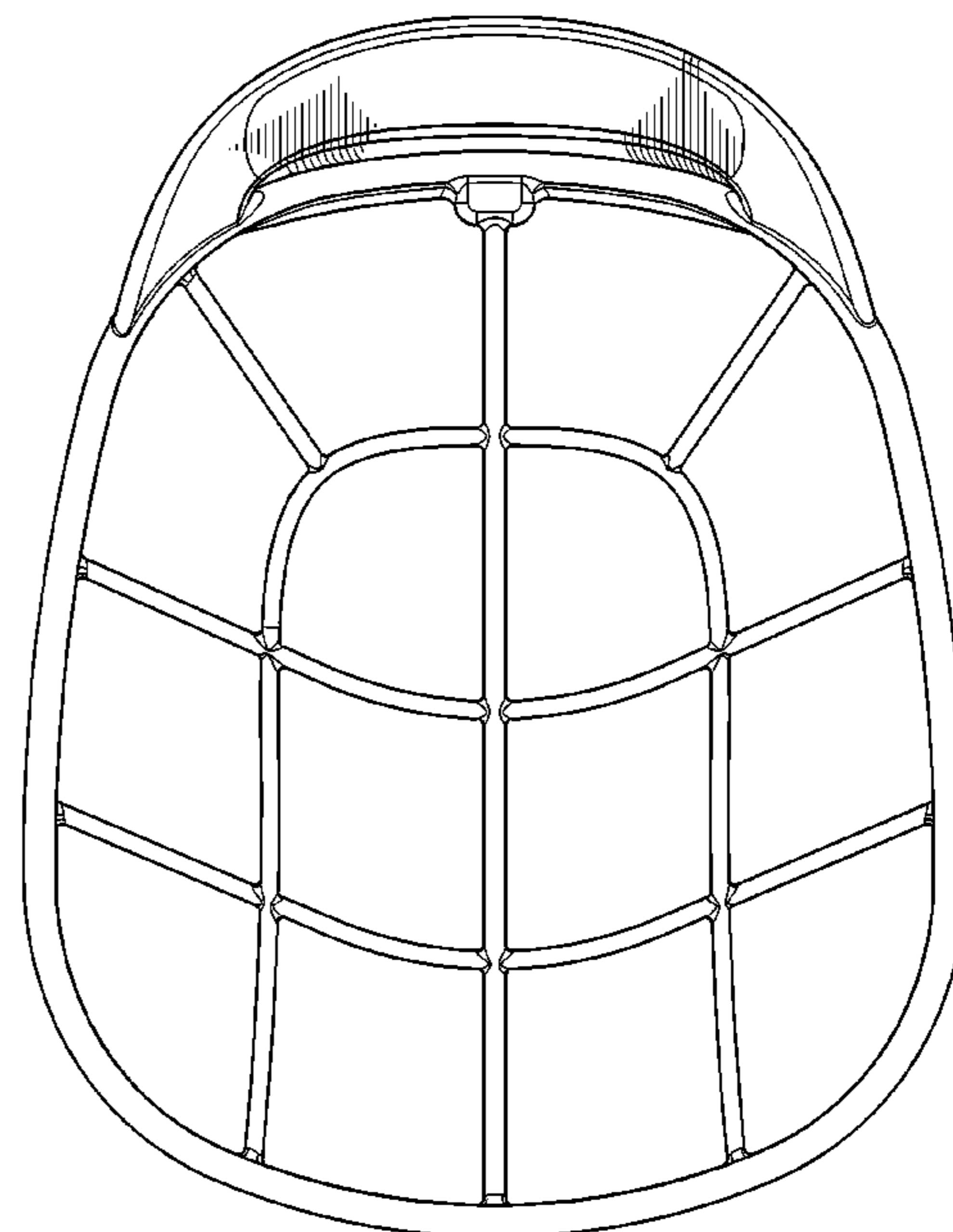
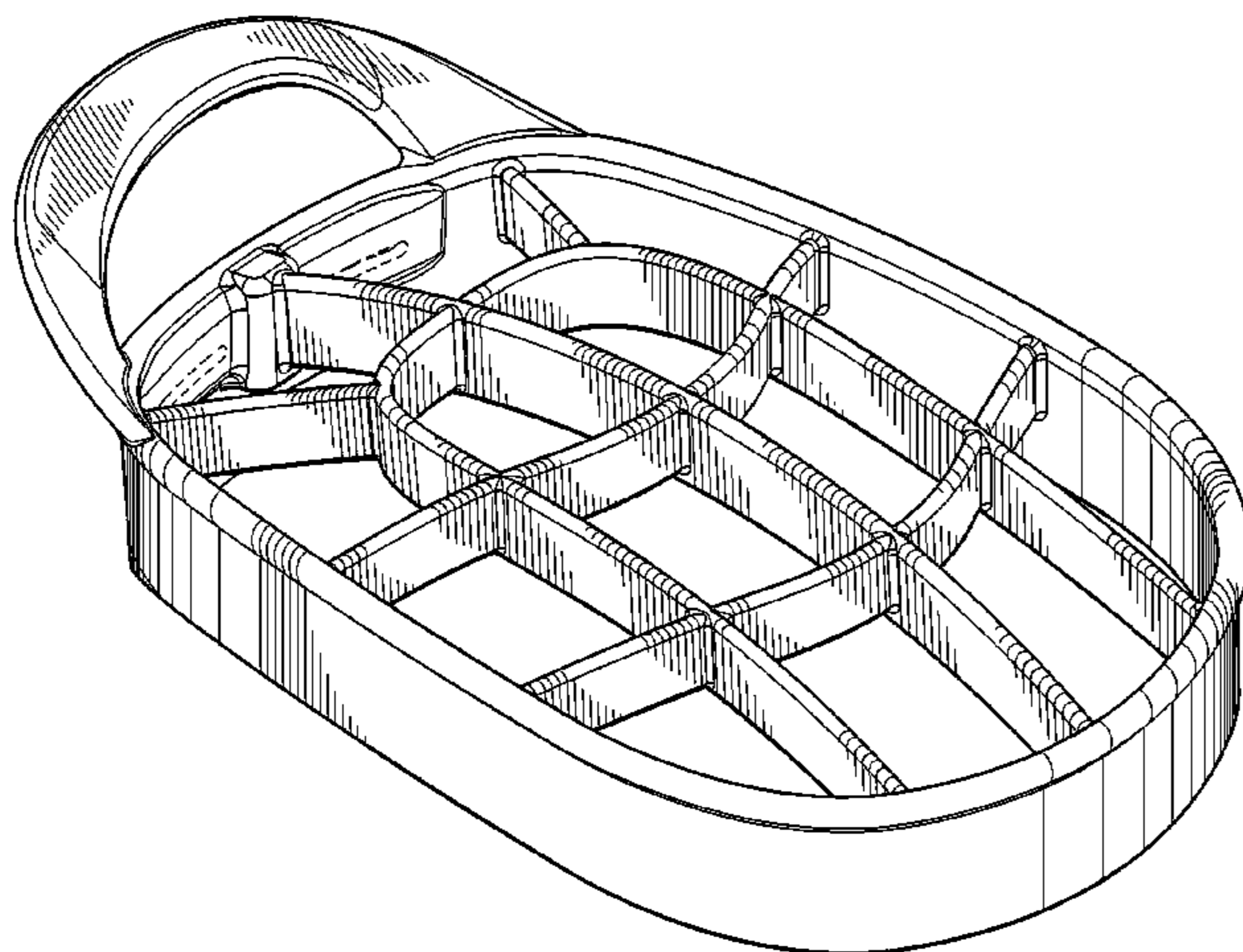
(57) **CLAIM**
The ornamental design for a golf bag top, as shown and described.

DESCRIPTION

FIG. 1 is a top perspective view of a golf bag top;
FIG. 2 is a bottom perspective view of the golf bag top of FIG. 1;
FIG. 3 is a front view of the golf bag top of FIG. 1;
FIG. 4 is a rear view of the golf bag top of FIG. 1;
FIG. 5 is a top view of the golf bag top of FIG. 1;
FIG. 6 is a bottom view of the golf bag top of FIG. 1;
FIG. 7 is a left view of the golf bag top of FIG. 1; and,
FIG. 8 is a right view of the golf bag top of FIG. 1.
The broken lines in drawings are shown to illustrate portions of the golf bag top that form no part of the claimed design.

1 Claim, 6 Drawing Sheets

- (56) **References Cited**
U.S. PATENT DOCUMENTS
- D118,815 S 2/1940 Ferguson
- 3,331,419 A 7/1967 Bencrisutto
- 4,596,328 A 6/1986 Solheim
- 4,600,100 A 7/1986 Solheim
- 4,667,820 A 5/1987 Solheim
- 4,834,235 A 5/1989 Solheim
- 4,844,253 A 7/1989 Reimers



(56)

References Cited

U.S. PATENT DOCUMENTS

D421,839 S	3/2000	Beck	D523,640 S	6/2006	Vosloo
D422,789 S	4/2000	Sundara	D525,034 S	7/2006	Vosloo
D422,791 S	4/2000	Han	D530,922 S	10/2006	Anderson
D429,416 S	8/2000	Heidenreich	7,124,887 B2	10/2006	Reimers
6,148,998 A	11/2000	Tan	D534,355 S	1/2007	Renahan
6,149,000 A *	11/2000	Kim 206/315.6	D537,252 S	2/2007	Vosloo
D434,905 S	12/2000	Ryan	D537,634 S	3/2007	Renahan
6,199,690 B1	3/2001	Shin	D538,042 S	3/2007	Suggs
D454,249 S	3/2002	Schmidt	7,216,762 B2	5/2007	Chen
6,450,334 B1	9/2002	Chang	D544,210 S	6/2007	McGuire
6,494,416 B2	12/2002	Wang	D546,064 S	7/2007	Vosloo
6,513,653 B1	2/2003	Chen	D546,561 S	7/2007	Vosloo
6,564,936 B1	5/2003	Campbell	D557,501 S	12/2007	Suggs
6,568,527 B1	5/2003	Te-Pin	D557,502 S	12/2007	Quartarone, III
D478,422 S	8/2003	Chen	D566,398 S	4/2008	Hooley
D487,543 S	3/2004	Chang	D566,965 S	4/2008	Hooley
6,726,009 B1	4/2004	Larson	D566,966 S	4/2008	Hooley
D493,620 S	8/2004	Reimers	7,357,251 B2	4/2008	Vosloo
D494,761 S	8/2004	Gray	D577,916 S	10/2008	Quartarone, III
6,817,469 B2	11/2004	Chang	D580,656 S	11/2008	Quartarone, III
D501,604 S	2/2005	Kadoya	D613,063 S	4/2010	Quartarone, III
6,877,604 B2	4/2005	Pratt	D613,064 S	4/2010	Quartarone, III
D512,838 S	12/2005	Schmidt	D613,065 S	4/2010	McGuire
D513,125 S	12/2005	Anderson	D613,066 S	4/2010	McGuire
D513,876 S	1/2006	Solheim	7,909,215 B2	3/2011	McGuire
D513,877 S	1/2006	Solheim	D649,353 S *	11/2011	Loudenslager et al. D3/320
D513,878 S	1/2006	Anderson	D649,354 S *	11/2011	Loudenslager et al. D3/320
D515,316 S	2/2006	Chang	D649,355 S	11/2011	Loudenslager
D517,808 S	3/2006	Reimers	D649,356 S *	11/2011	Loudenslager et al. D3/320
7,014,040 B2	3/2006	Anderson	D669,266 S	10/2012	Loudenslager
D520,751 S	5/2006	Chang	D690,111 S *	9/2013	Chapman et al. D3/320
D520,752 S	5/2006	Solheim	2001/0025802 A1	10/2001	Sutter
D522,754 S	6/2006	Anderson	2002/0179466 A1	12/2002	Maeng
D523,639 S	6/2006	Vosloo	2002/0189962 A1	12/2002	Chen
			2004/0211688 A1	10/2004	Doss
			2005/0092630 A1	5/2005	Chen

* cited by examiner

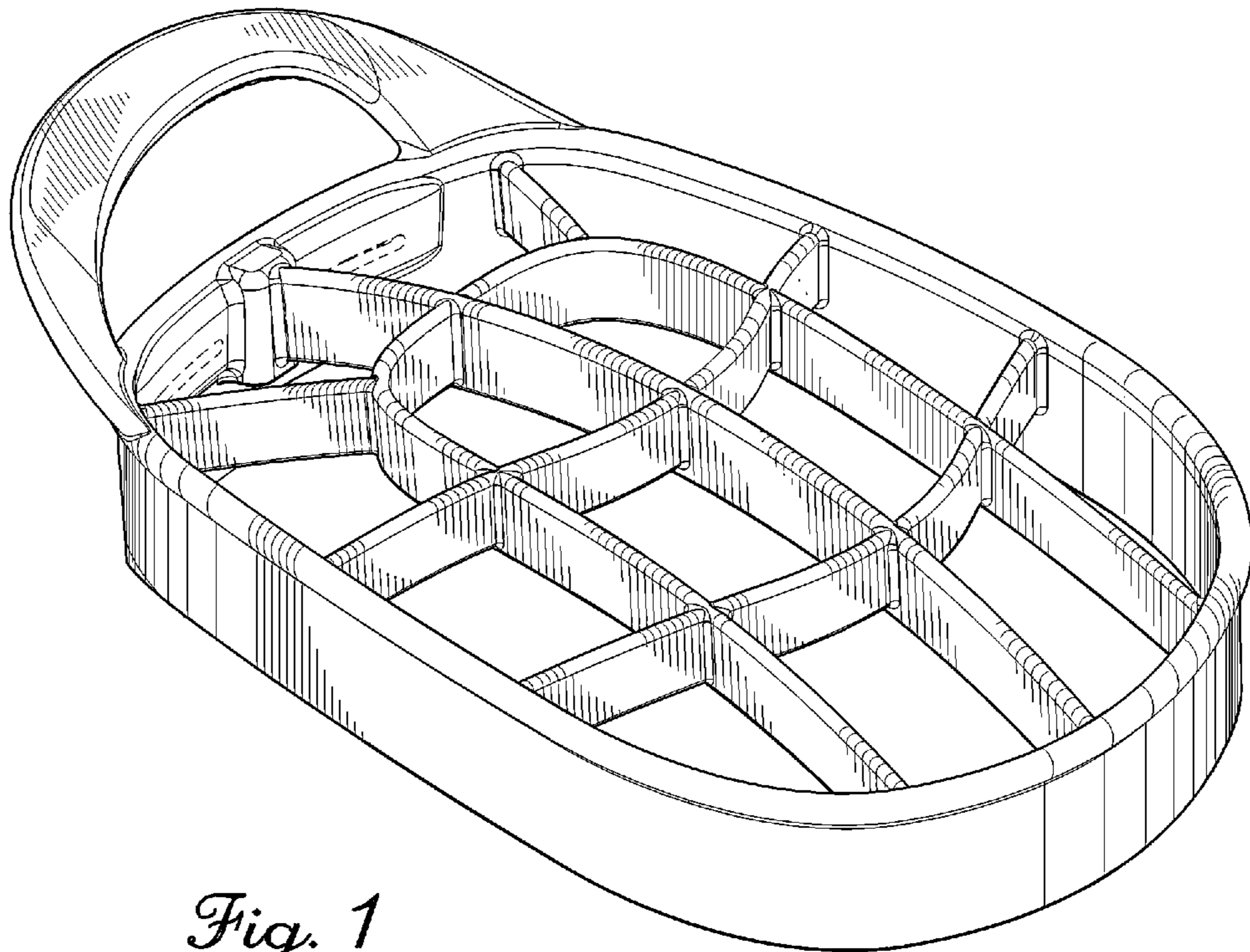


Fig. 1

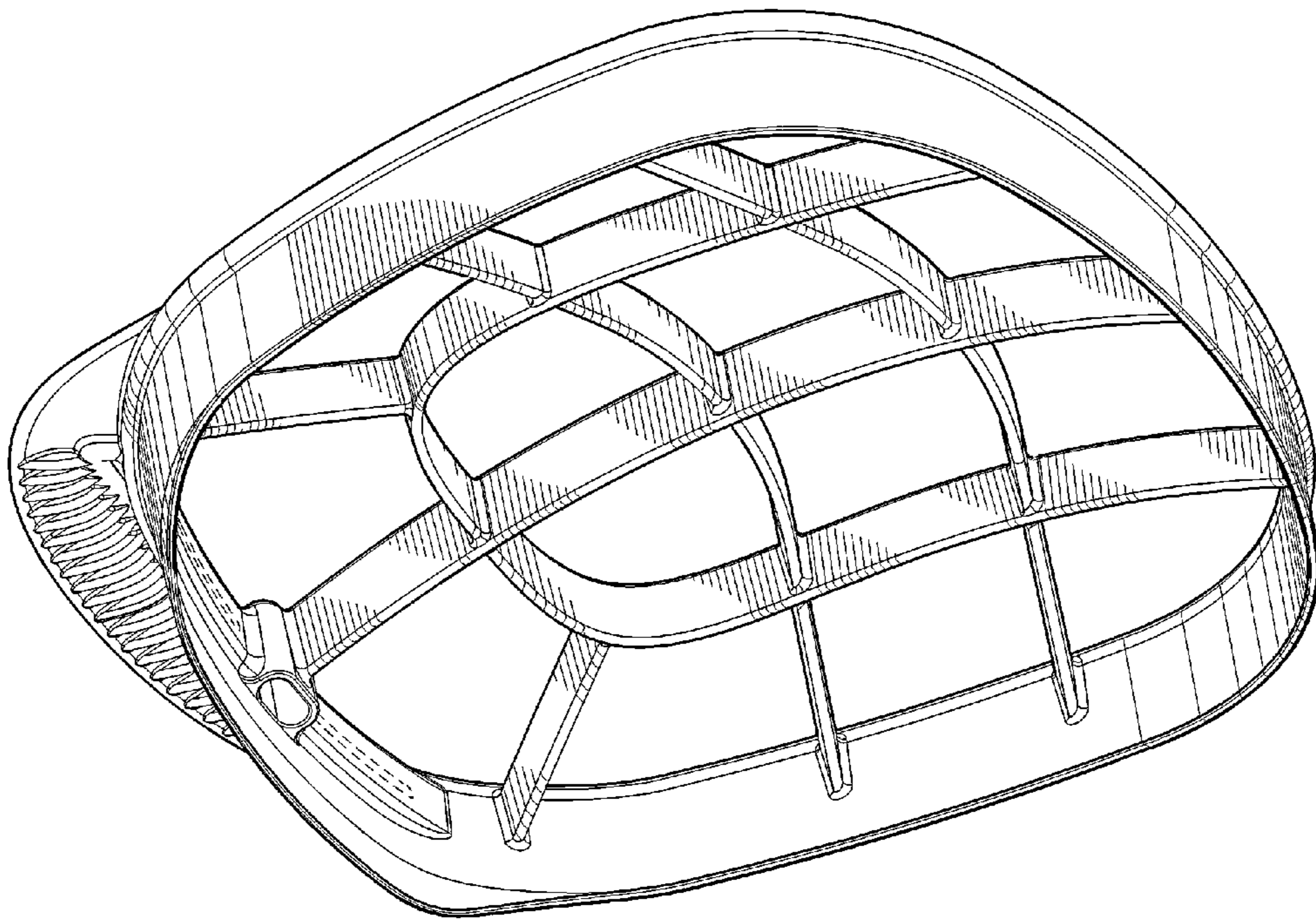


Fig. 2

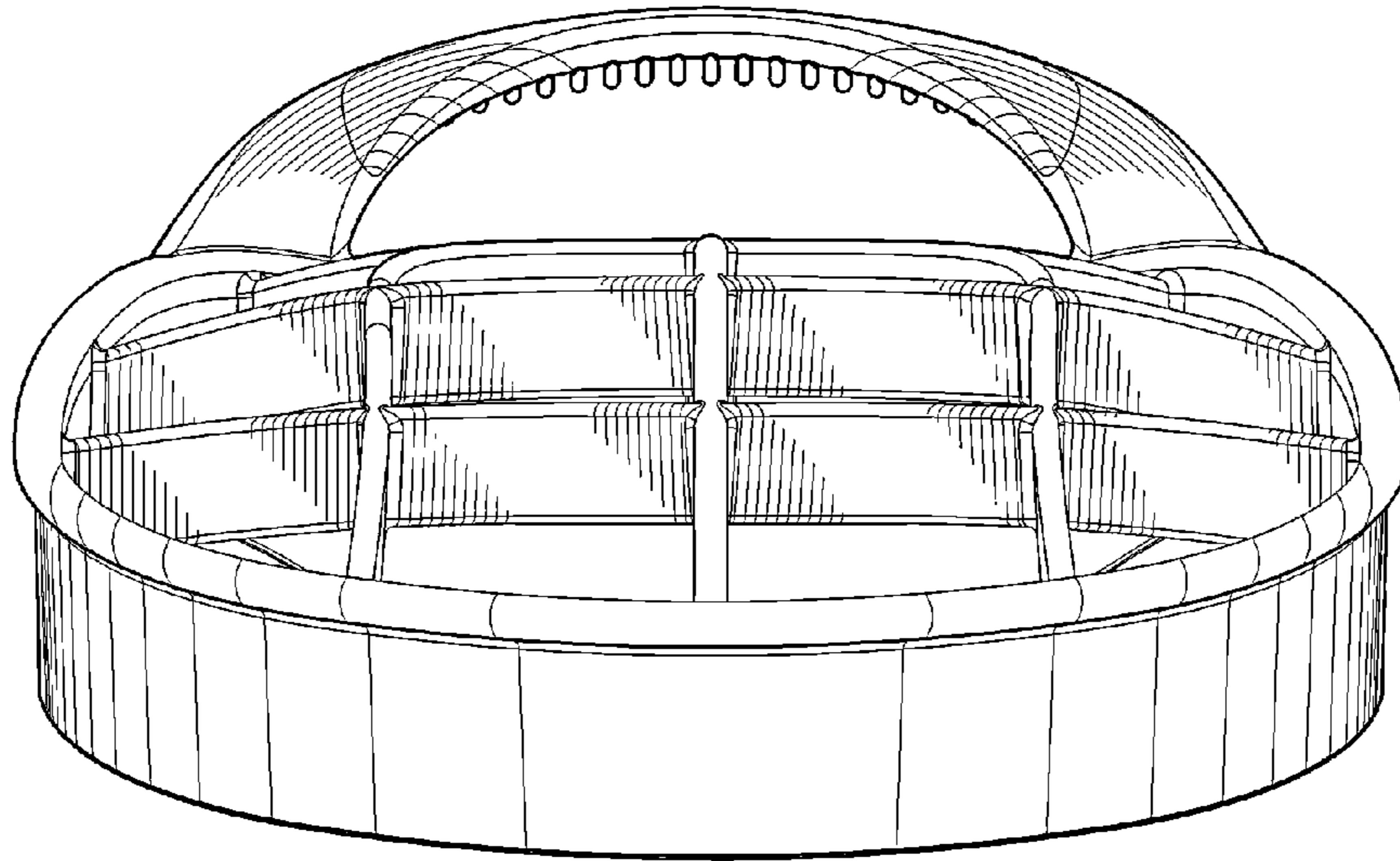


Fig. 3

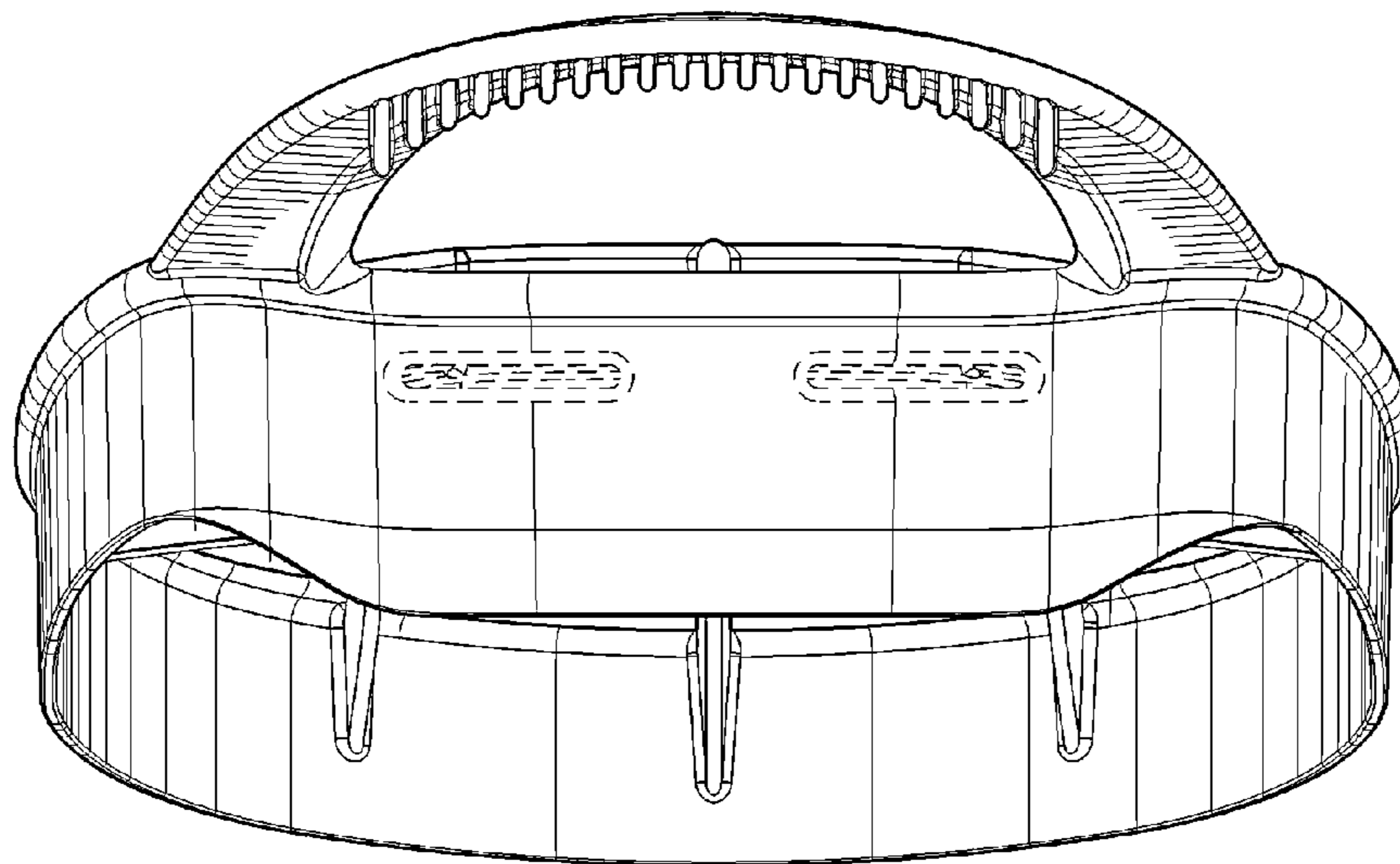


Fig. 4

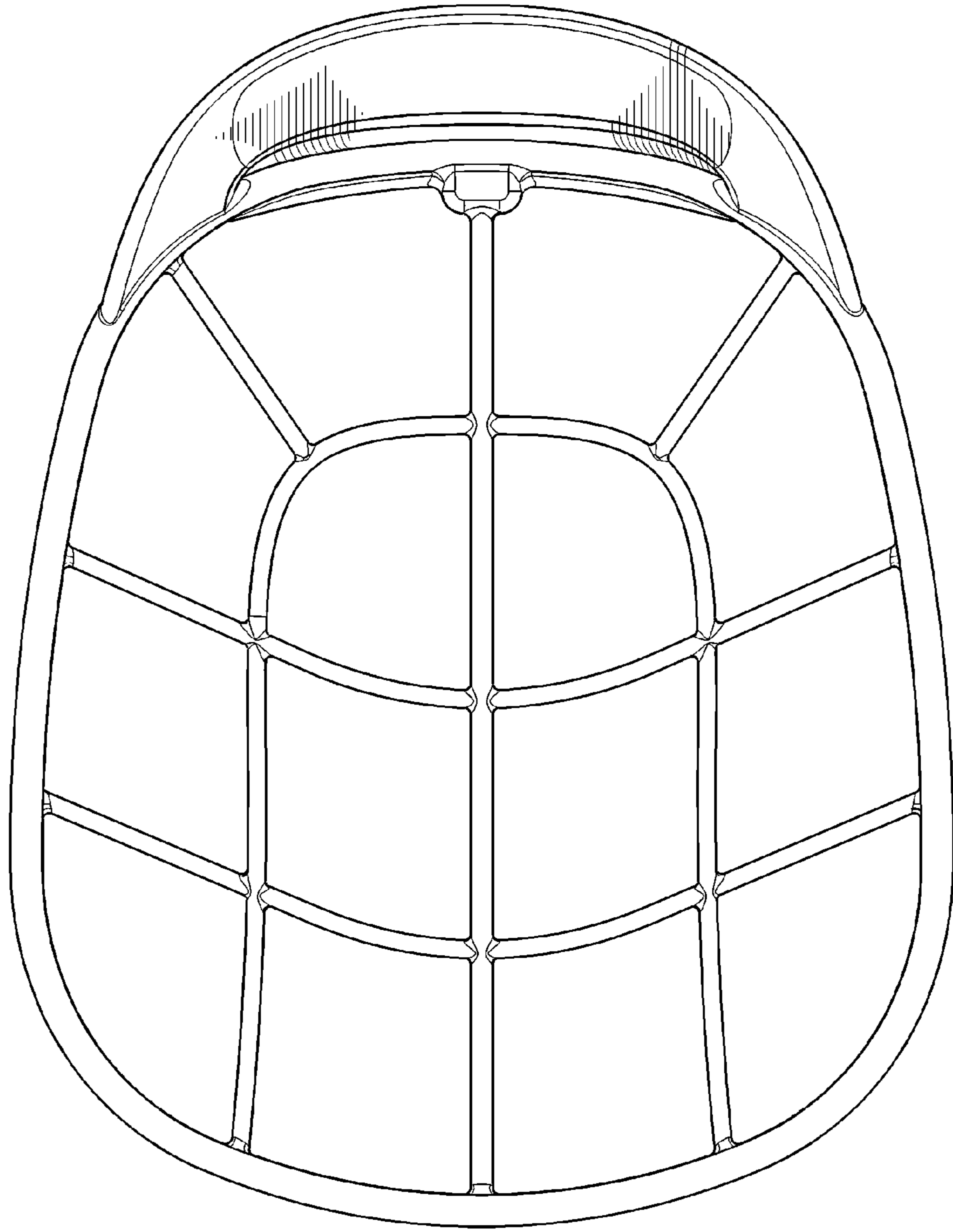


Fig. 5

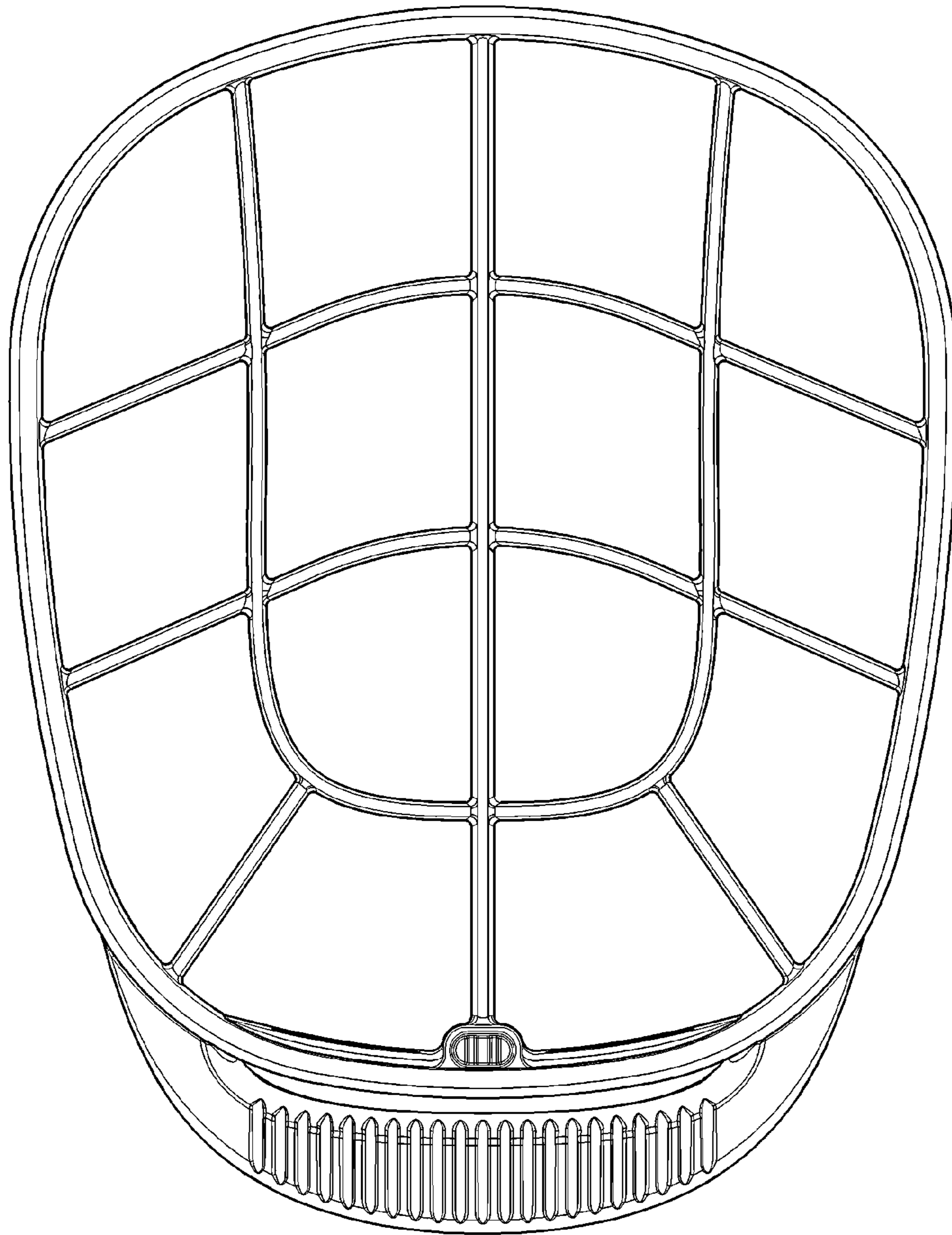


Fig. 6

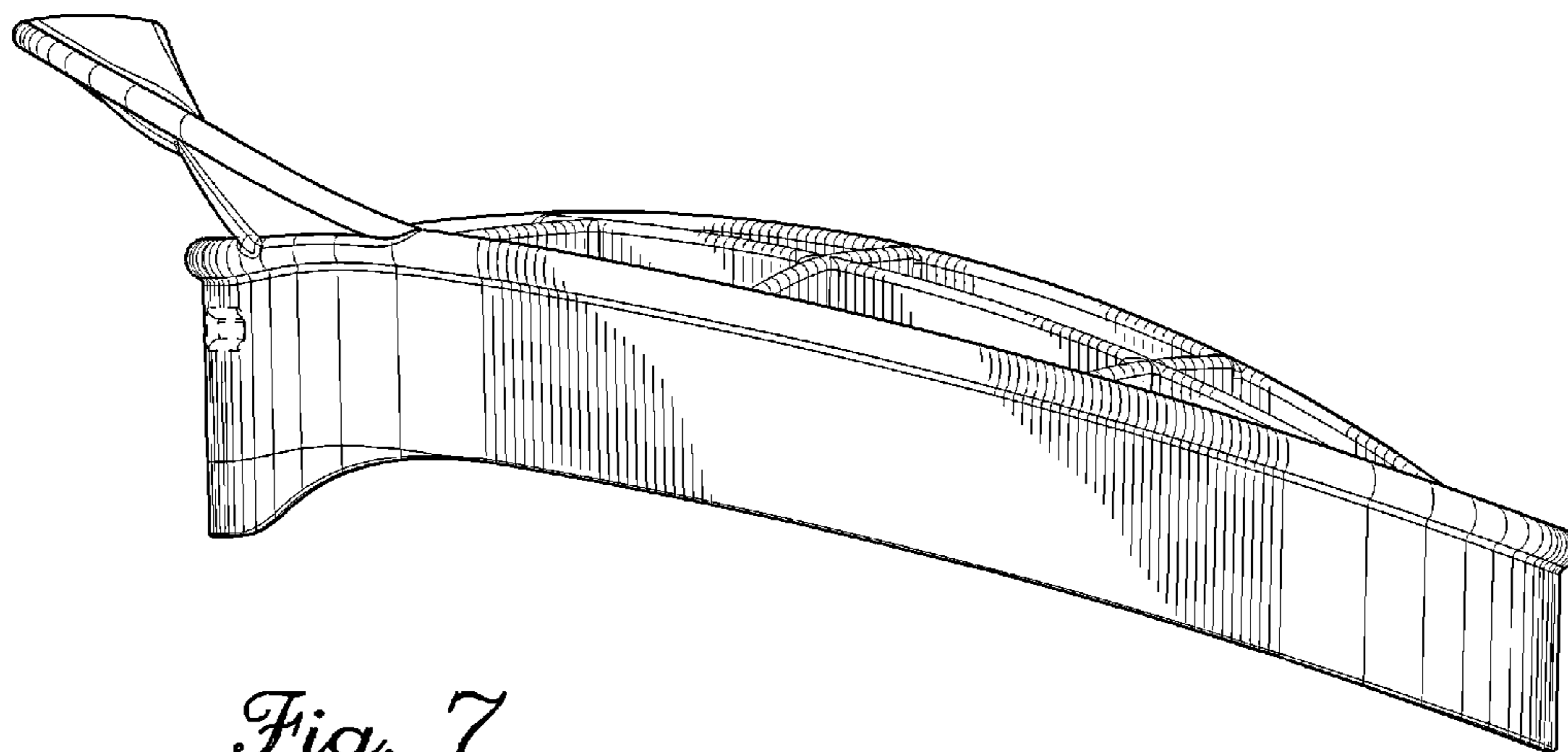


Fig. 7

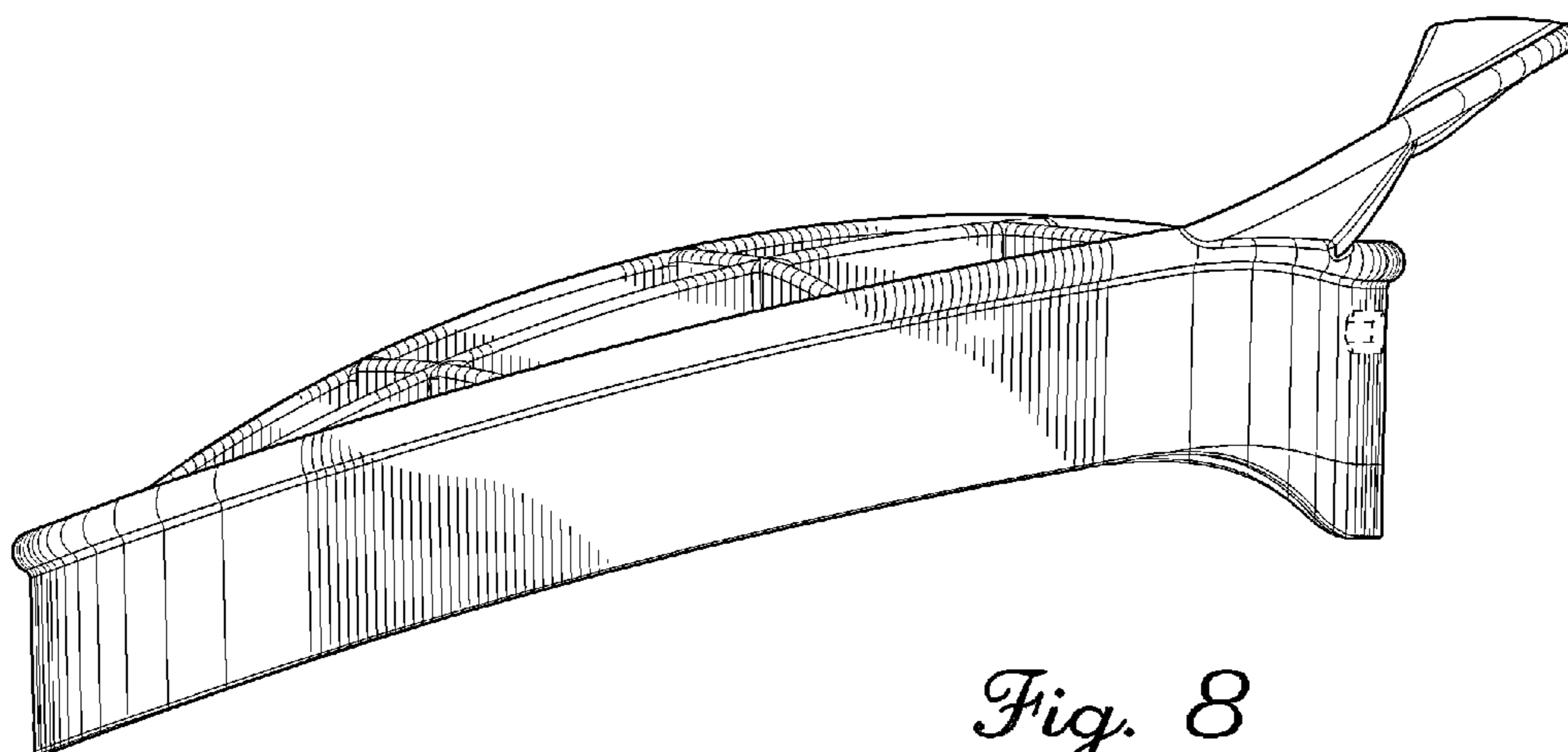


Fig. 8