



US00D715053S

(12) **United States Design Patent**
Frey et al.

(10) **Patent No.:** **US D715,053 S**
(45) **Date of Patent:** **** Oct. 14, 2014**

(54) **HANDLE UNIT FOR BASKET**
(71) Applicants: **Paul Frey**, Frederick, MD (US);
Douglas A. Fauth, Monrovia, MD (US)
(72) Inventors: **Paul Frey**, Frederick, MD (US);
Douglas A. Fauth, Monrovia, MD (US)

D305,273 S 12/1989 Yoshikawa
4,941,586 A 7/1990 Tarna
4,997,098 A 3/1991 Buza et al.
D326,552 S 5/1992 Goodell

(Continued)

(**) Term: **14 Years**
(21) Appl. No.: **29/448,211**

EP 1407956 4/2004
GB 2324716 4/1998

(Continued)

(22) Filed: **Mar. 11, 2013**
(51) **LOC (10) Cl.** **03-01**
(52) **U.S. Cl.**
USPC **D3/318**
(58) **Field of Classification Search**
USPC D3/318; 150/100, 103-110, 113-114,
150/117-119
See application file for complete search history.

FOREIGN PATENT DOCUMENTS

OTHER PUBLICATIONS

http://www.gilmorekramer.com/more_info/ergobaskets/ergobaskets.shtml, saved off from the internet on Feb. 26, 2007.

Primary Examiner — Holly Baynham

(57) **CLAIM**
The ornamental design for a handle unit for basket, substantially as shown and described.

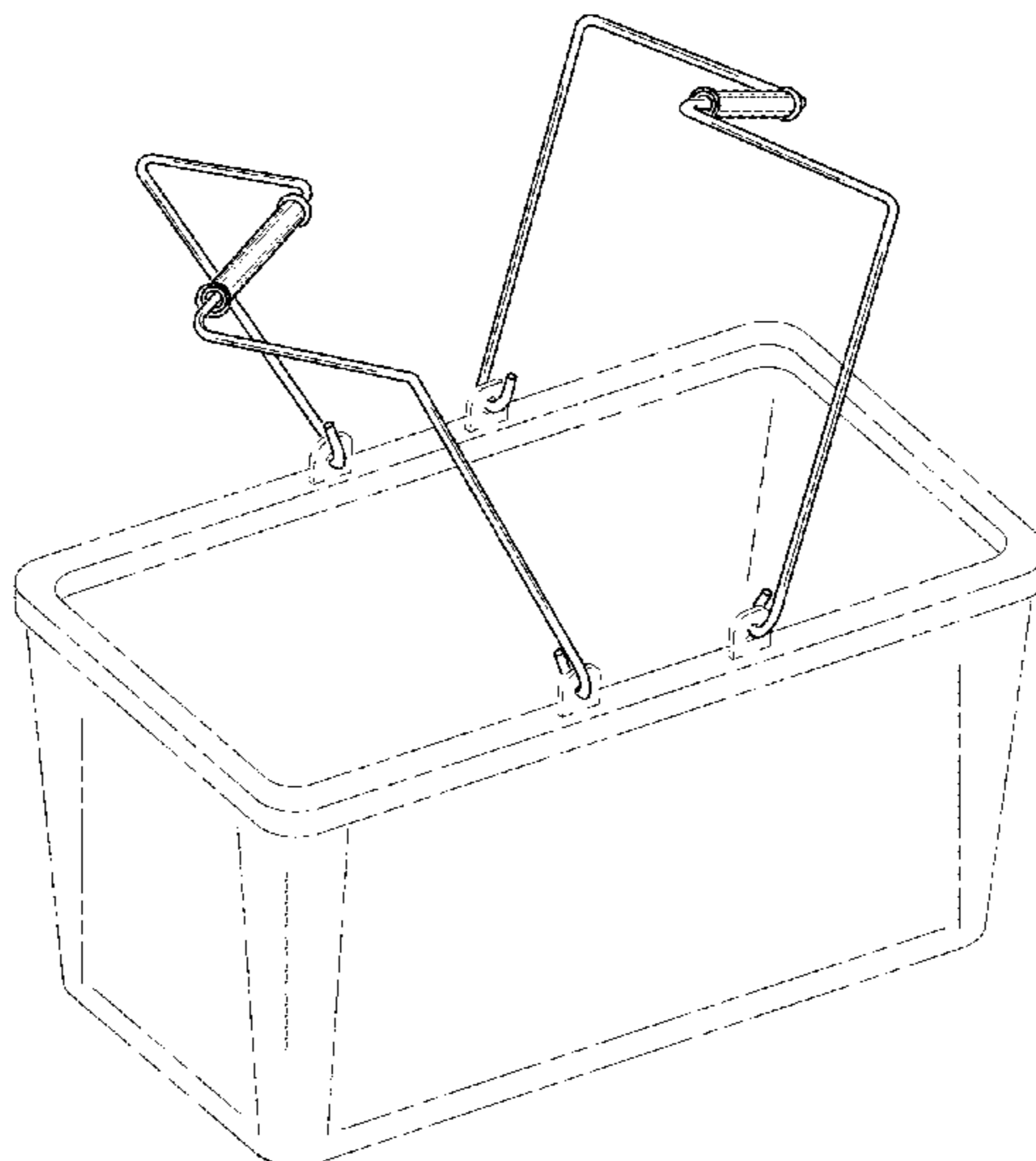
(56) **References Cited**
U.S. PATENT DOCUMENTS

DESCRIPTION

545,434 A	8/1895	Wiles et al.	
545,435 A	8/1895	Daly	
1,620,941 A *	3/1927	Brainard	217/125
1,950,376 A *	3/1934	Alexander	220/772
2,017,331 A	10/1935	Walker et al.	
2,034,066 A *	3/1936	Stepbach	217/125
2,044,547 A *	6/1936	Schmidtke	217/125
2,138,537 A	11/1938	Bernat	
2,405,310 A	8/1946	Larkin	
2,632,595 A	3/1953	Finkbone	
3,630,251 A	12/1971	Ross	
3,700,160 A	10/1972	Farrell	
4,205,411 A	6/1980	Cupp et al.	
4,207,997 A	6/1980	Croyle	
D269,218 S	5/1983	Berman	
D276,281 S	11/1984	Landgren	
D277,993 S	3/1985	Sinchok	
D283,457 S	4/1986	Smith	
D290,179 S	6/1987	Peltola	

FIG. 1 is a perspective view of handle unit for basket showing the handles in a raised position;
FIG. 2 is a top plan view of FIG. 1;
FIG. 3 is a bottom plan view of FIG. 1;
FIG. 4 is a left end elevational view of FIG. 1;
FIG. 5 is a right end elevational view of FIG. 1;
FIG. 6 is a front elevational view of FIG. 1;
FIG. 7 is a rear elevational view of FIG. 1;
FIG. 8 is a top plan view with the handles shown in a lowered position;
FIG. 9 is a front elevational view; and,
FIG. 10 is a front perspective view.
The broken lines are for purposes of illustrating the environment in which the handle unit embodied in my design is used, and form no part of the claimed design.

1 Claim, 10 Drawing Sheets



(56)

References Cited

U.S. PATENT DOCUMENTS

5,267,389 A 12/1993 Chumley
 5,276,943 A 1/1994 Ludy
 5,324,094 A 6/1994 Kain
 D353,288 S 12/1994 Kain
 5,469,986 A 11/1995 Jang
 D364,961 S 12/1995 Rehrig
 D369,707 S 5/1996 Kain
 5,516,190 A 5/1996 Kain et al.
 5,651,581 A 7/1997 Myers et al.
 5,658,044 A 8/1997 Krevh
 5,715,968 A 2/1998 Fink et al.
 D395,362 S 6/1998 Fink et al.
 D397,250 S 8/1998 Fink et al.
 D401,065 S 11/1998 Peltola
 D402,124 S 12/1998 Haut et al.
 5,845,916 A 12/1998 Stroud
 D404,938 S 2/1999 Greger

5,971,476 A 10/1999 Gibson et al.
 D421,860 S 3/2000 Gibson et al.
 6,039,205 A 3/2000 Flink
 D443,984 S 6/2001 Lacy et al.
 6,349,847 B1 2/2002 Mangla et al.
 D471,713 S 3/2003 Speed
 D474,603 S 5/2003 Berenguer
 D495,529 S 9/2004 Goodell
 D497,253 S 10/2004 Alves
 2002/0170146 A1 11/2002 Thompson

FOREIGN PATENT DOCUMENTS

JP 07-206003 8/1995
 JP 11-020833 1/1999
 JP 11-208673 8/1999
 JP 2005-131346 5/2005
 WO WO8401929 5/1984
 WO WO2005/104070 11/2005

* cited by examiner

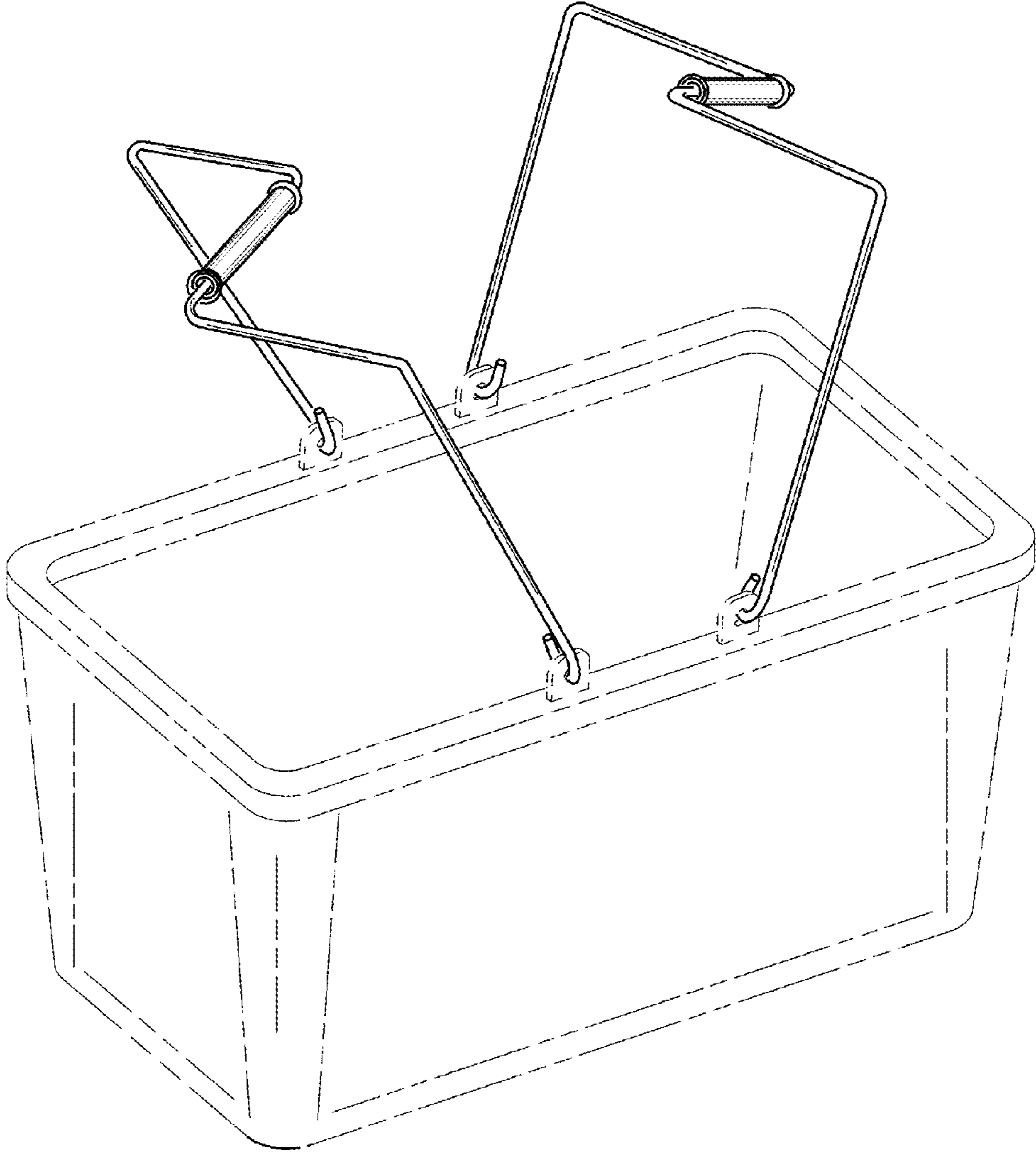


FIG. 1

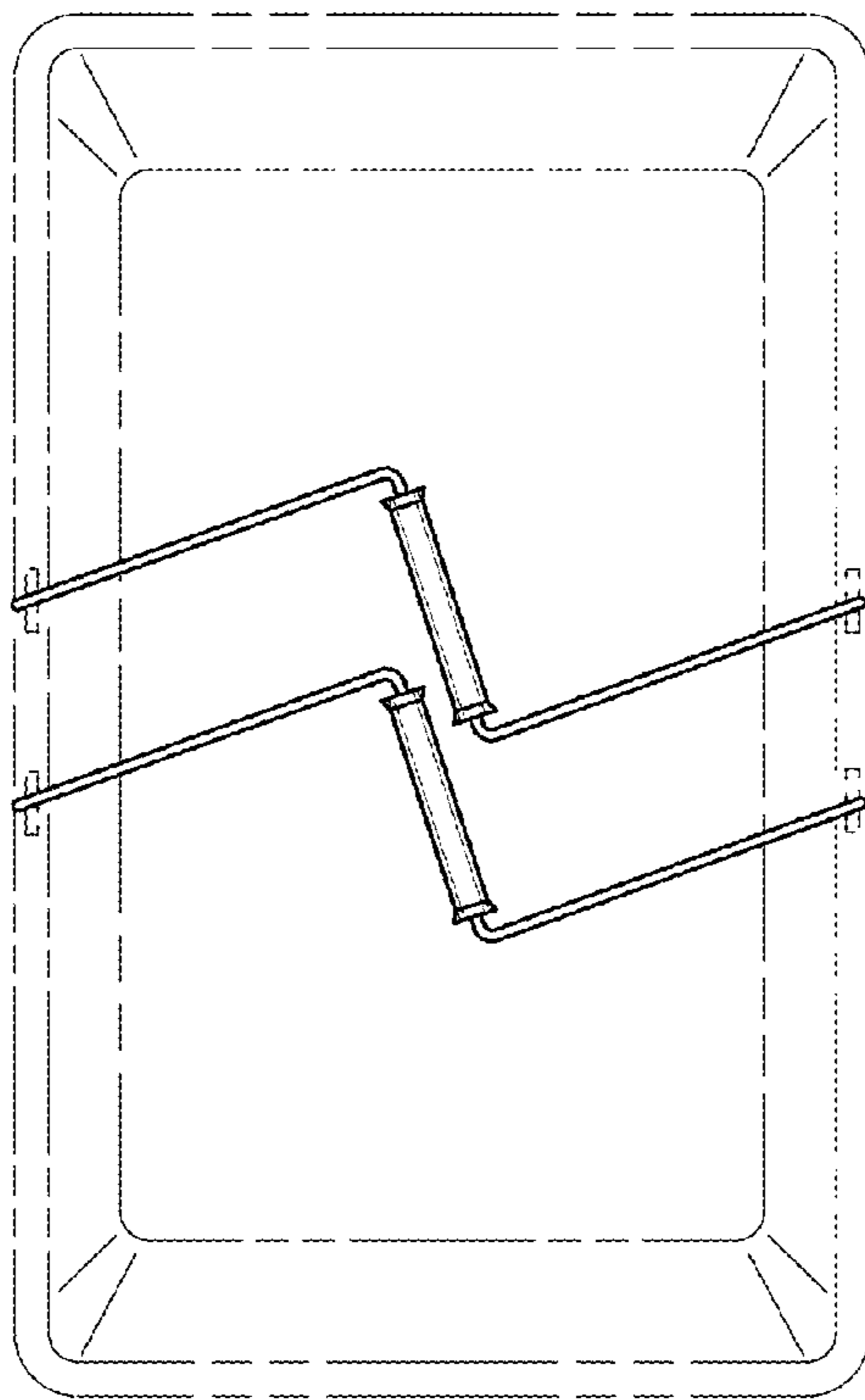


FIG. 2

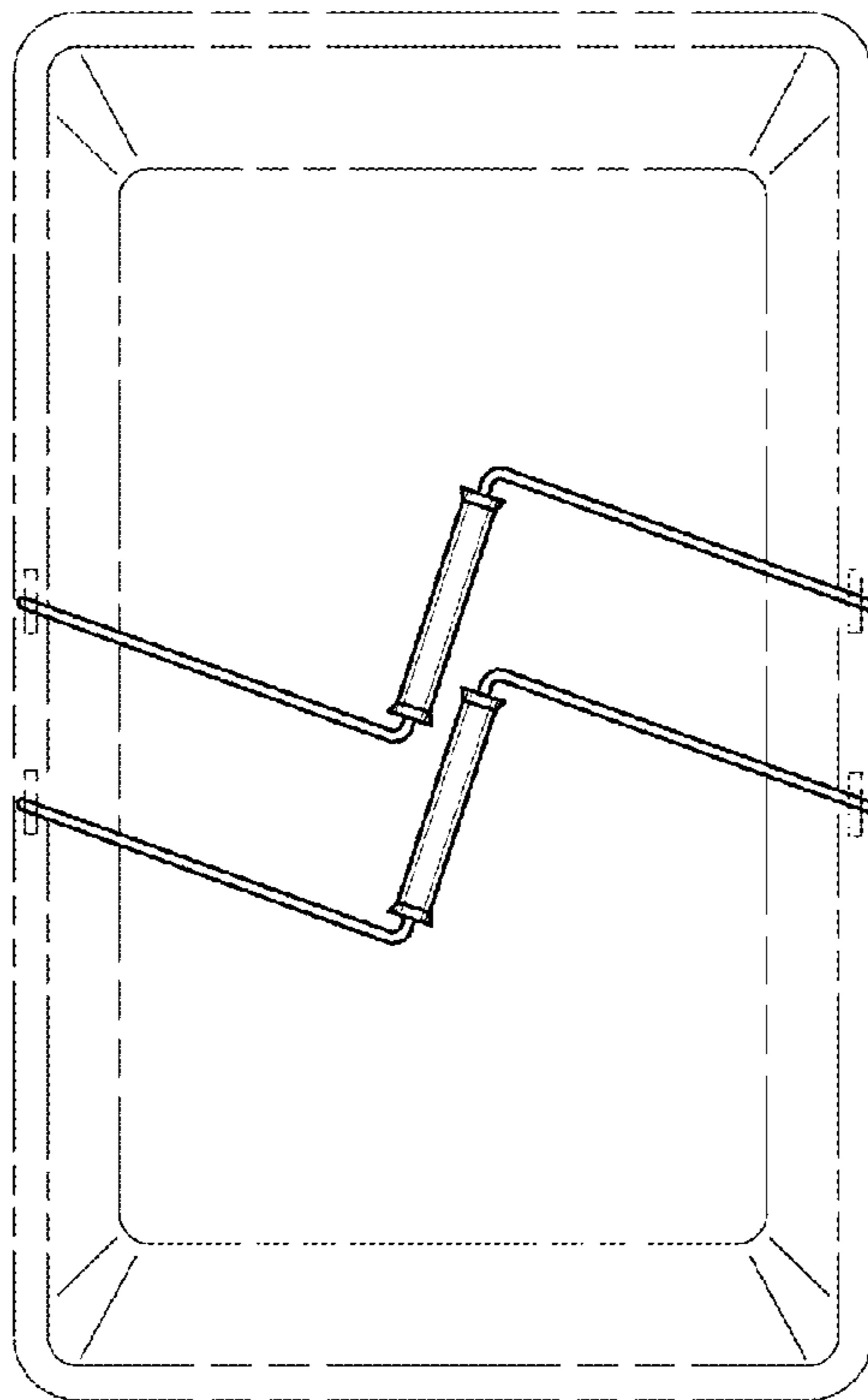


FIG. 3

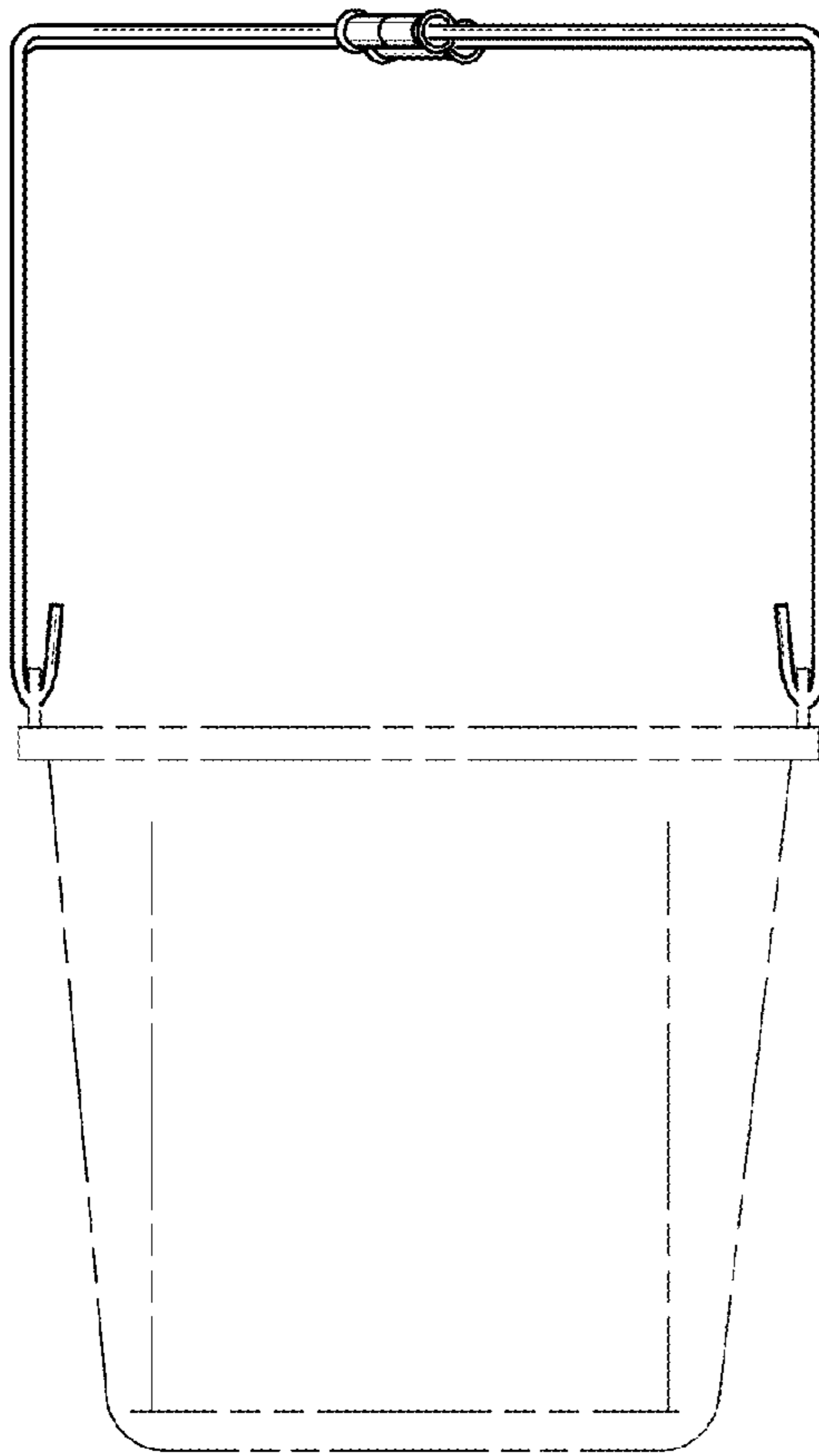


FIG. 4

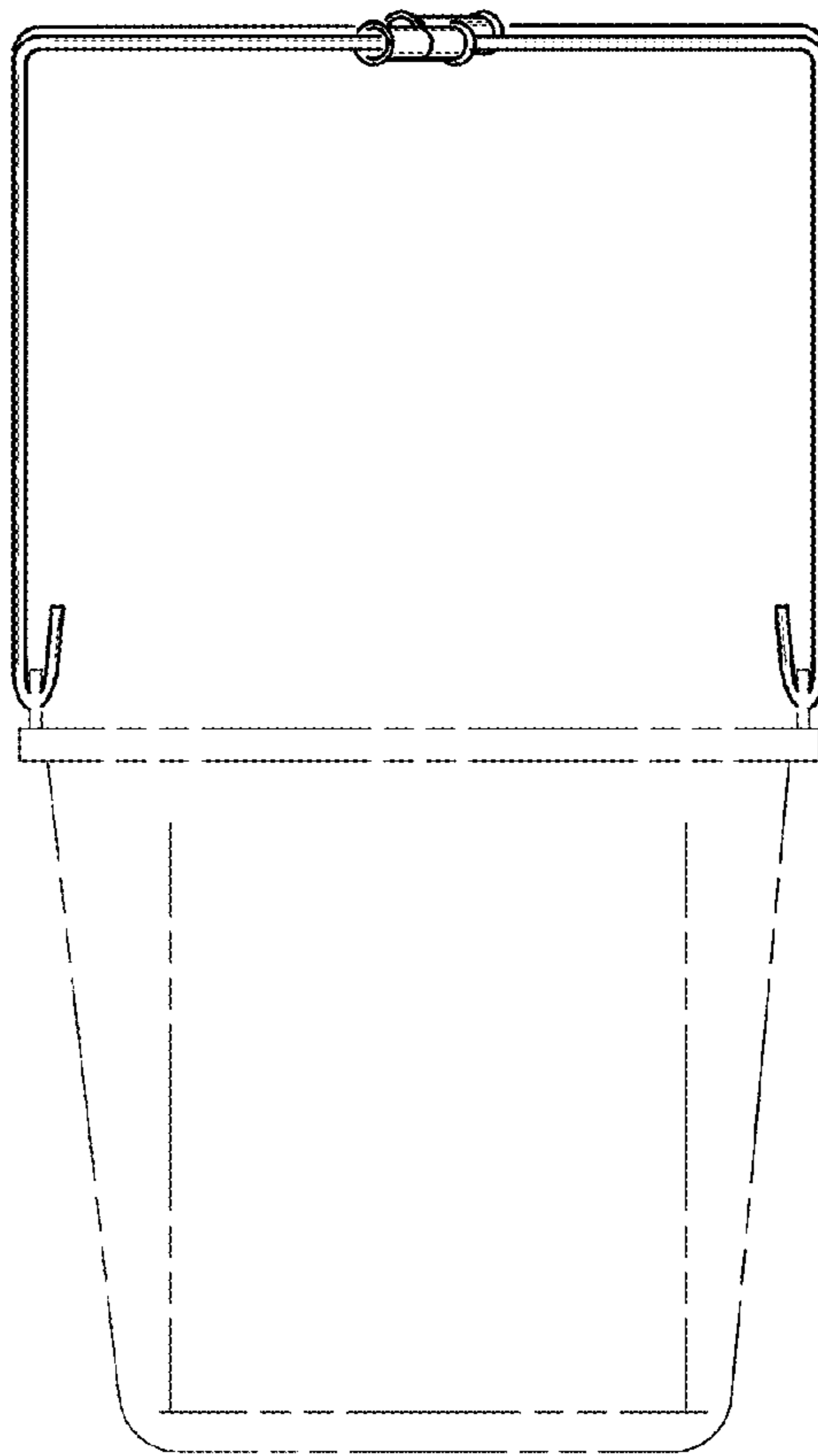


FIG. 5

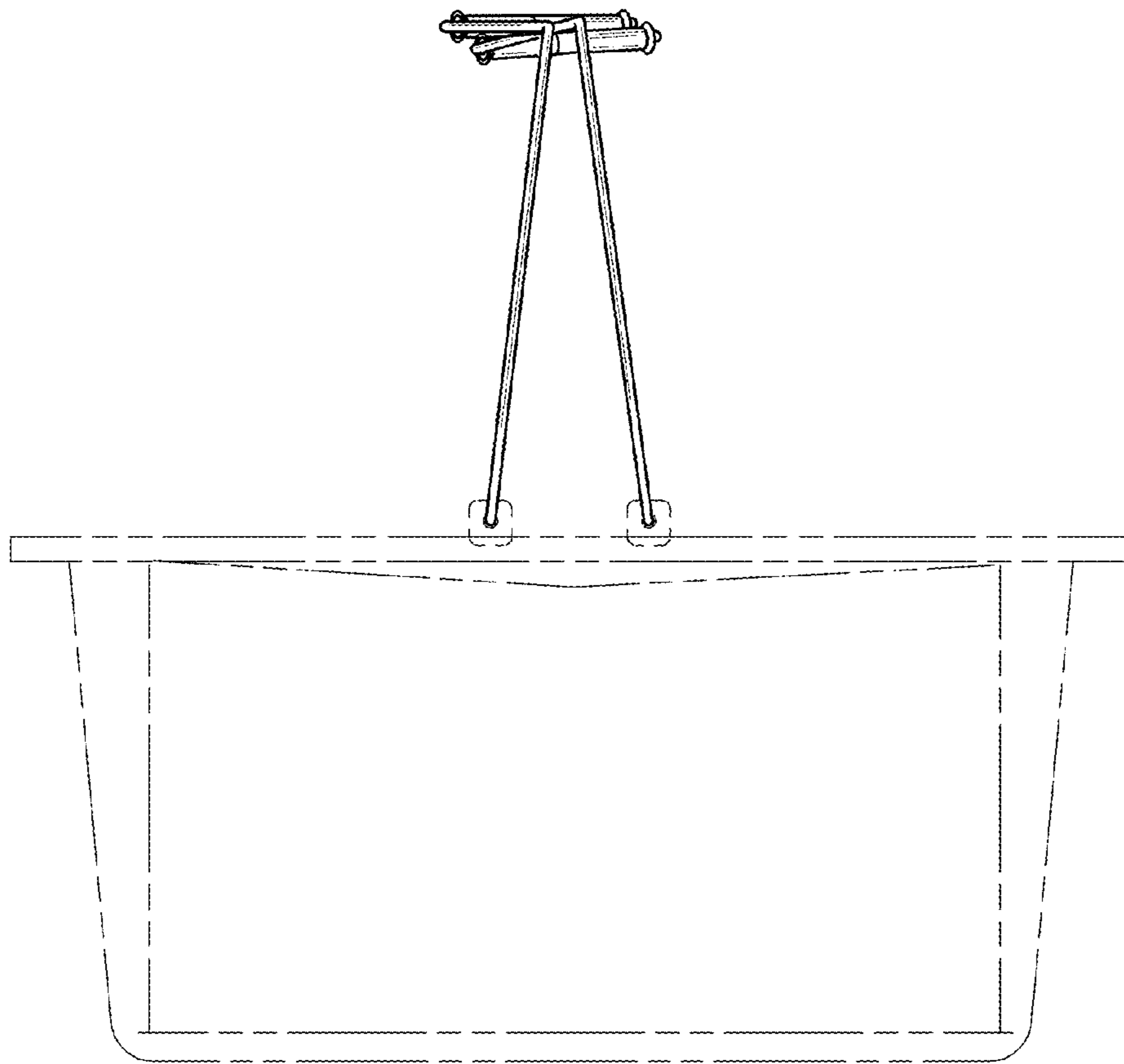


FIG. 6

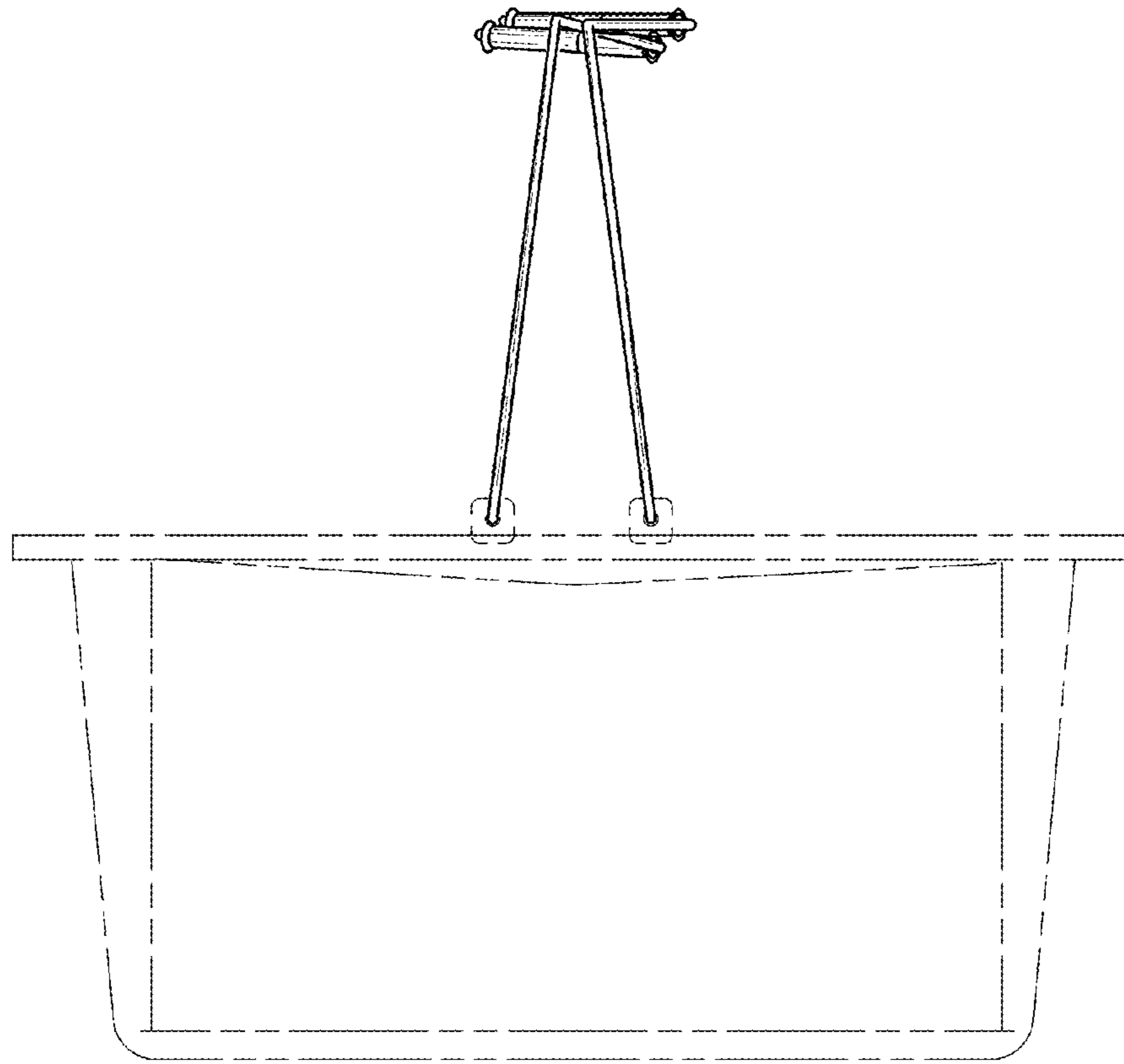


FIG. 7

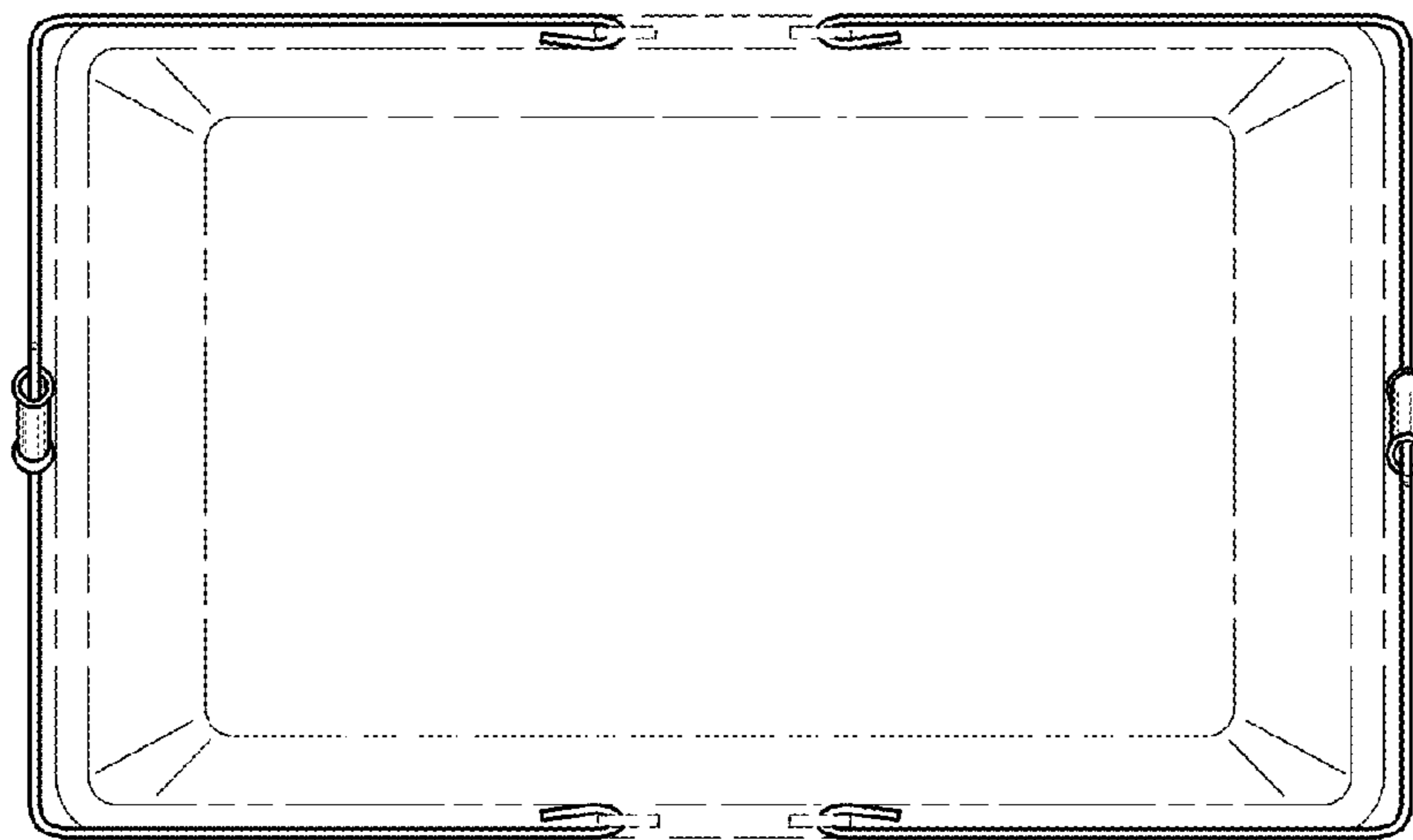


FIG. 8

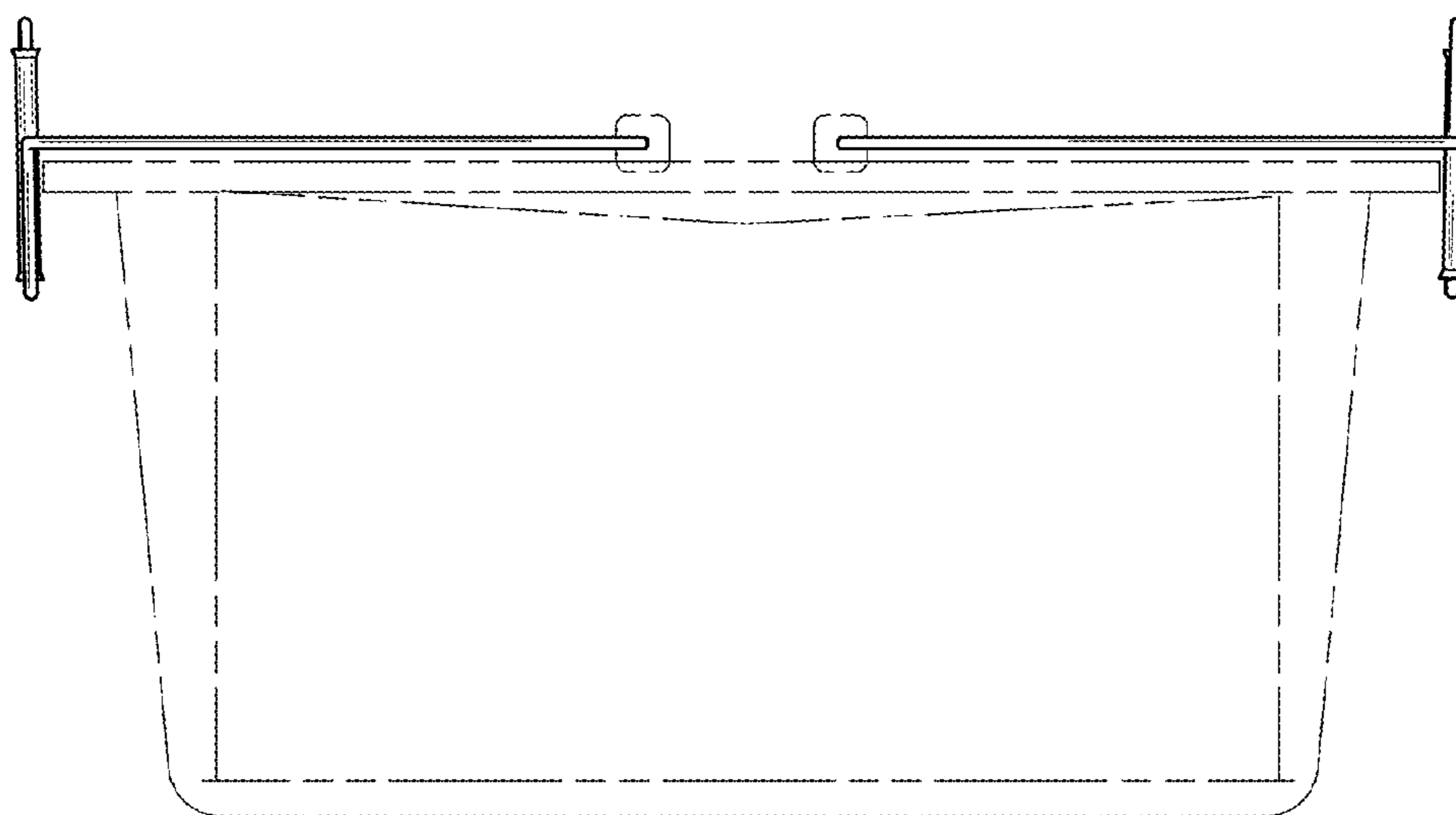


FIG. 9

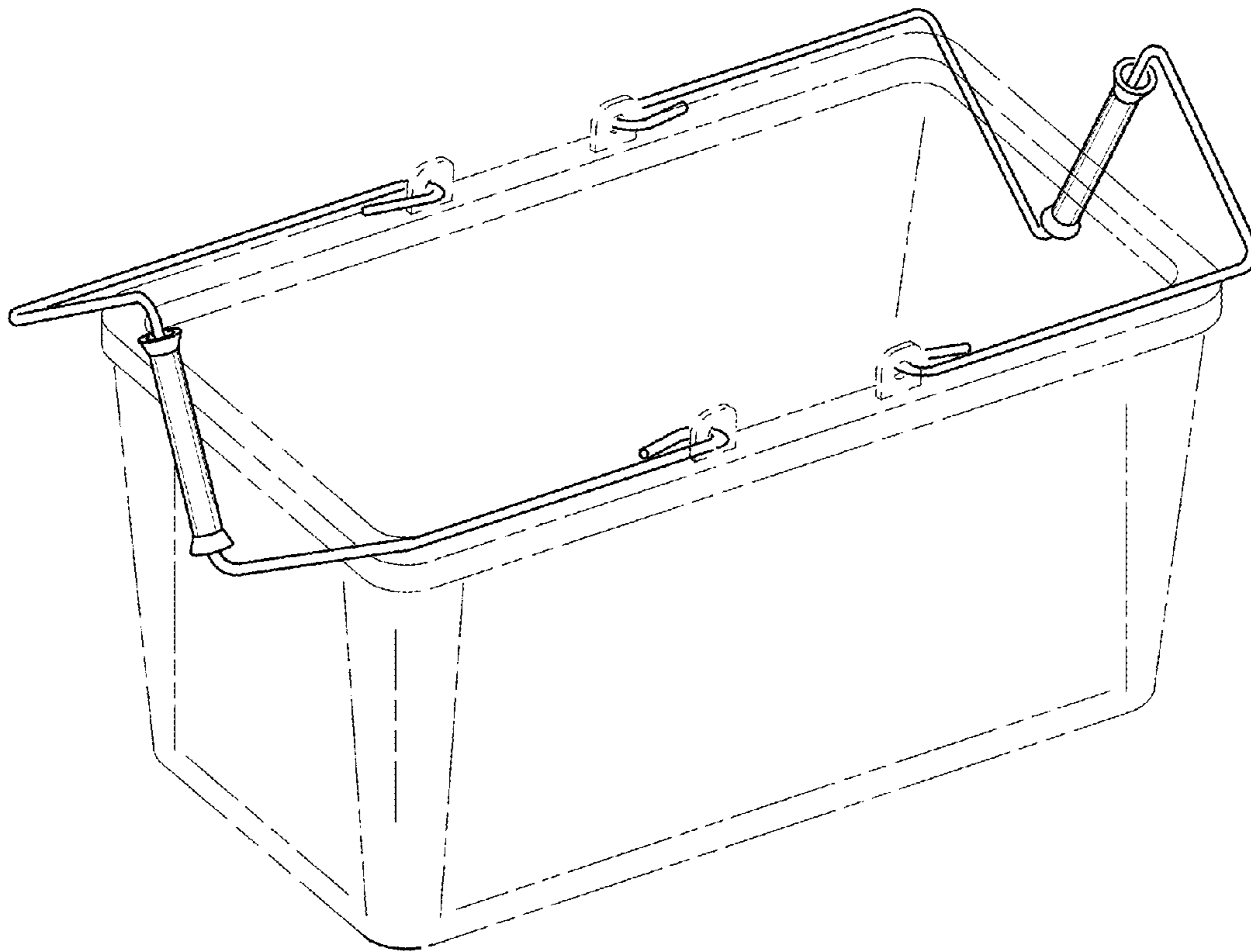


FIG. 10