



US00D715045S

(12) **United States Design Patent**  
**Alamdar**

(10) **Patent No.:** **US D715,045 S**

(45) **Date of Patent:** **\*\* Oct. 14, 2014**

(54) **SADDLEBAG**

D365,322 S \* 12/1995 Hrib ..... D12/409  
6,010,050 A \* 1/2000 Tarr ..... 224/578  
D651,965 S \* 1/2012 Sanders ..... D12/409

(71) Applicant: **Husnain Alamdar**, San Gabriel, CA  
(US)

\* cited by examiner

(72) Inventor: **Husnain Alamdar**, San Gabriel, CA  
(US)

*Primary Examiner* — Holly Baynham

(\*\*) Term: **14 Years**

(57) **CLAIM**

(21) Appl. No.: **29/450,660**

The ornamental design for a saddlebag, as shown and described.

(22) Filed: **Mar. 20, 2013**

**DESCRIPTION**

(51) **LOC (10) Cl.** ..... **03-01**

(52) **U.S. Cl.**  
USPC ..... **D3/231**

(58) **Field of Classification Search**  
USPC ..... D3/231–232; 224/578, 609  
See application file for complete search history.

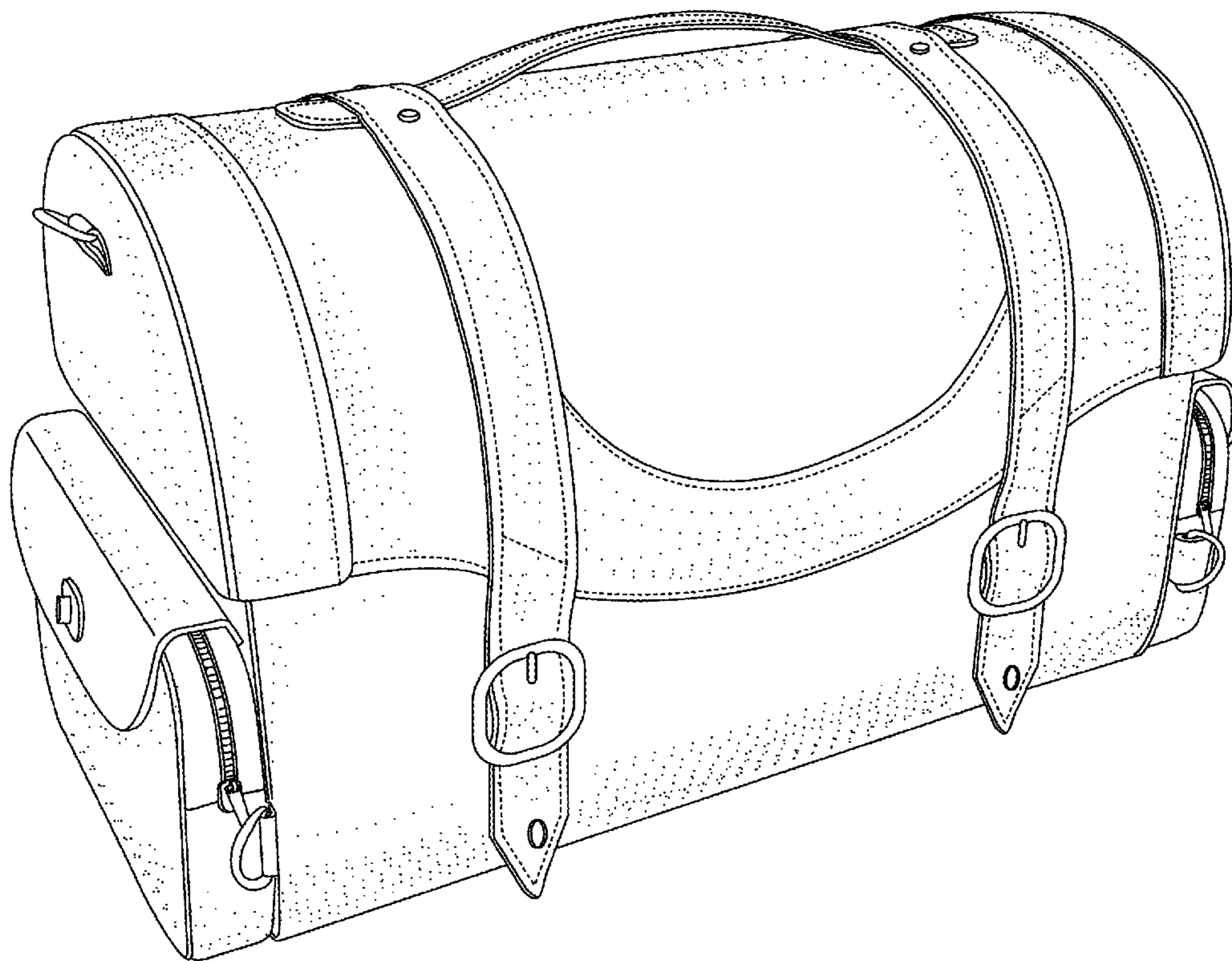
FIG. 1 is a perspective view of a saddlebag;  
FIG. 2 is a front view thereof;  
FIG. 3 is a rear view thereof;  
FIG. 4 is a right view thereof;  
FIG. 5 is a left view thereof;  
FIG. 6 is atop thereof;  
FIG. 7 is a bottom view thereof; and,  
FIG. 8 is a reduced scale perspective view of a saddlebag with the top folded open, revealing the interior of the saddlebag.

(56) **References Cited**

**U.S. PATENT DOCUMENTS**

D152,530 S \* 2/1949 Hampel ..... D12/409  
D278,225 S \* 4/1985 Heiman et al. .... D12/409

**1 Claim, 8 Drawing Sheets**



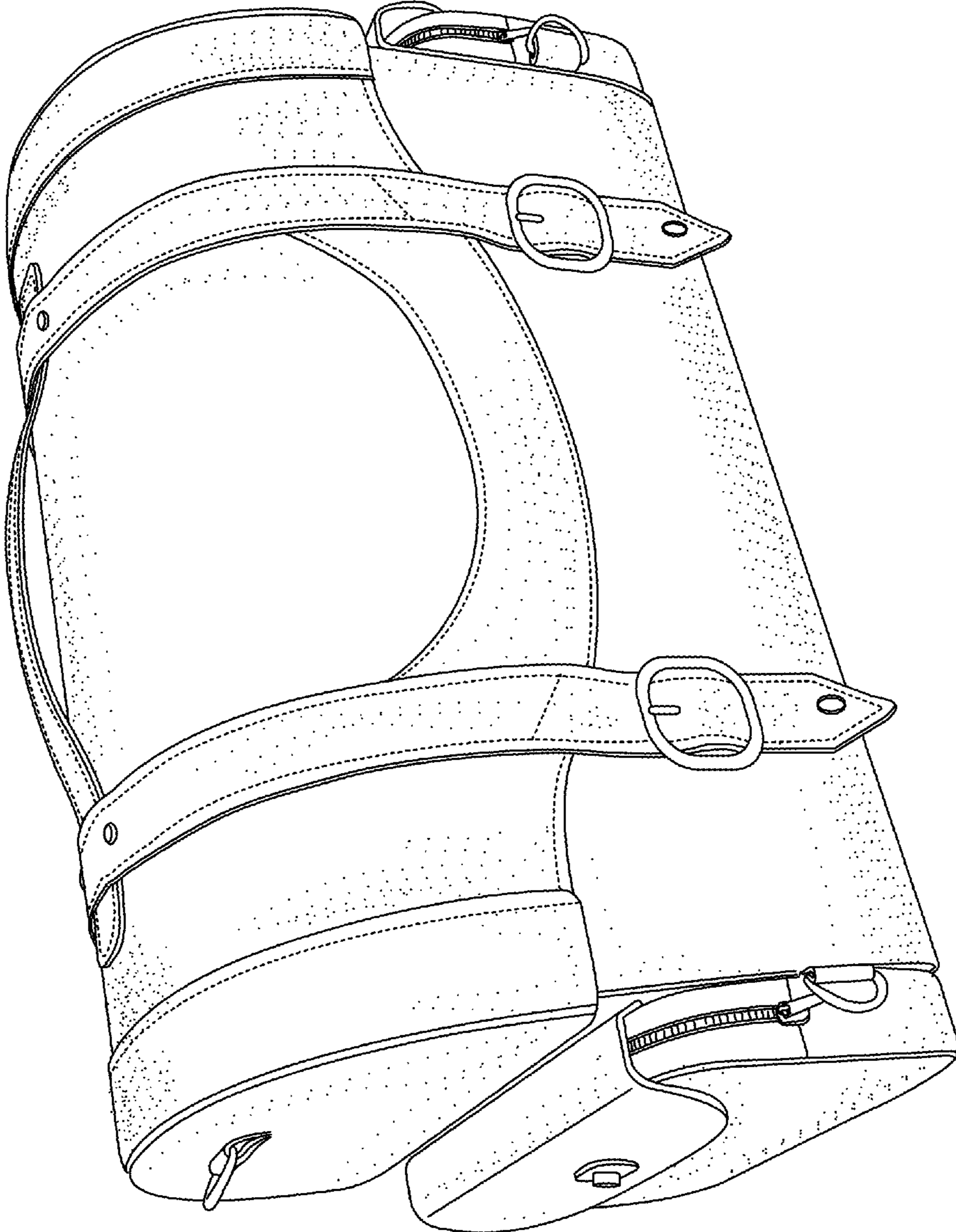


FIG. 1

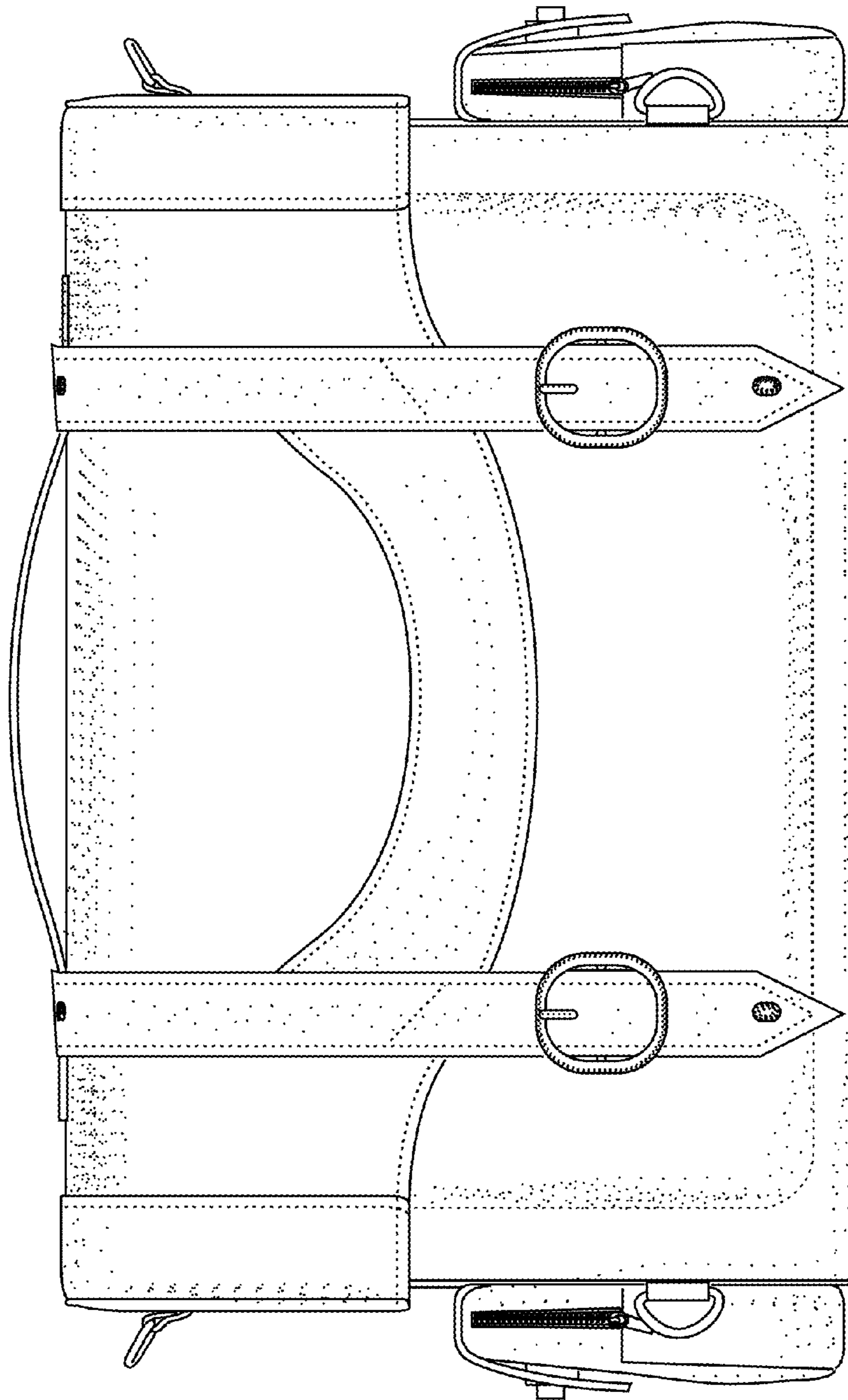


FIG. 2

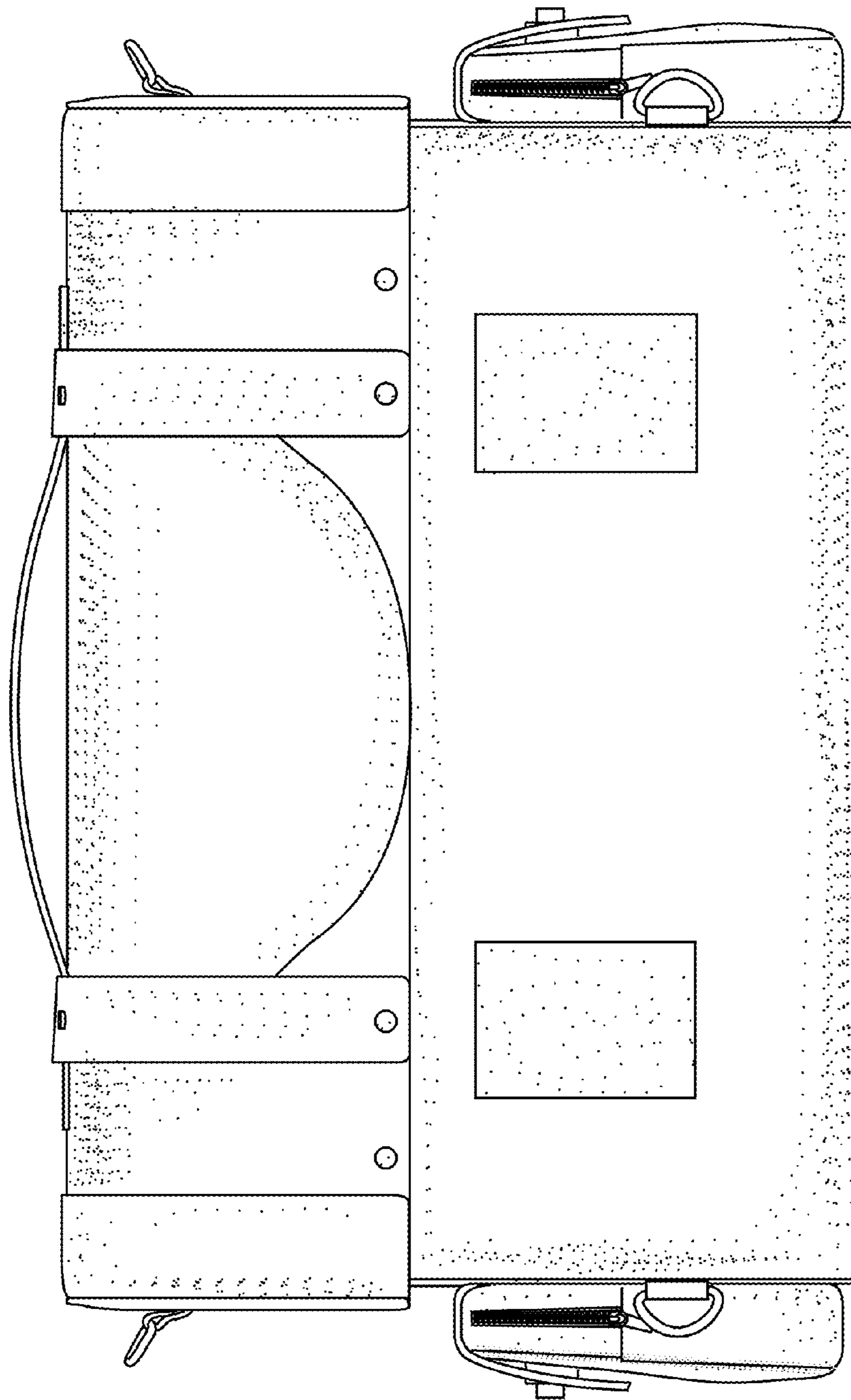


FIG. 3

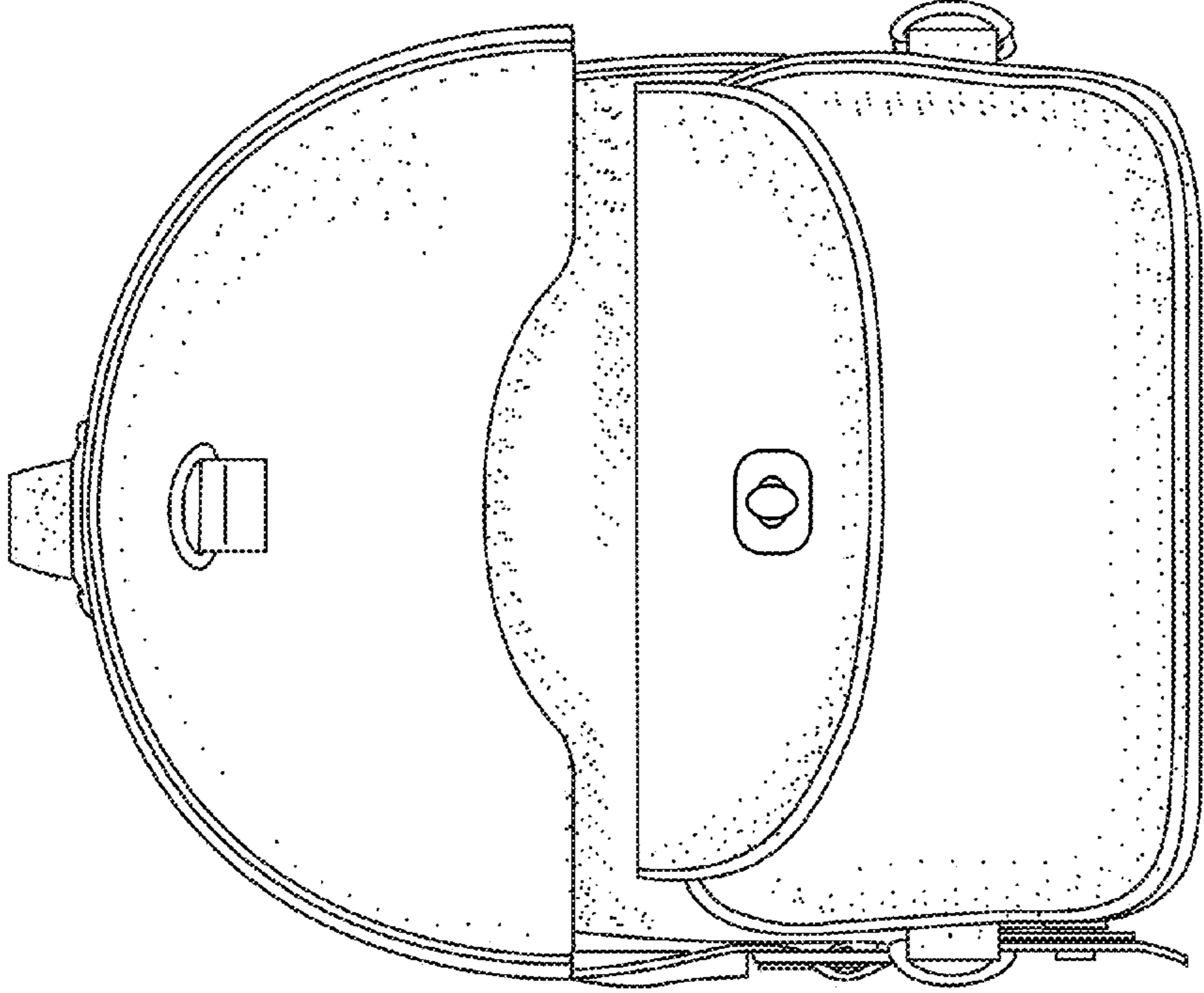


FIG. 4

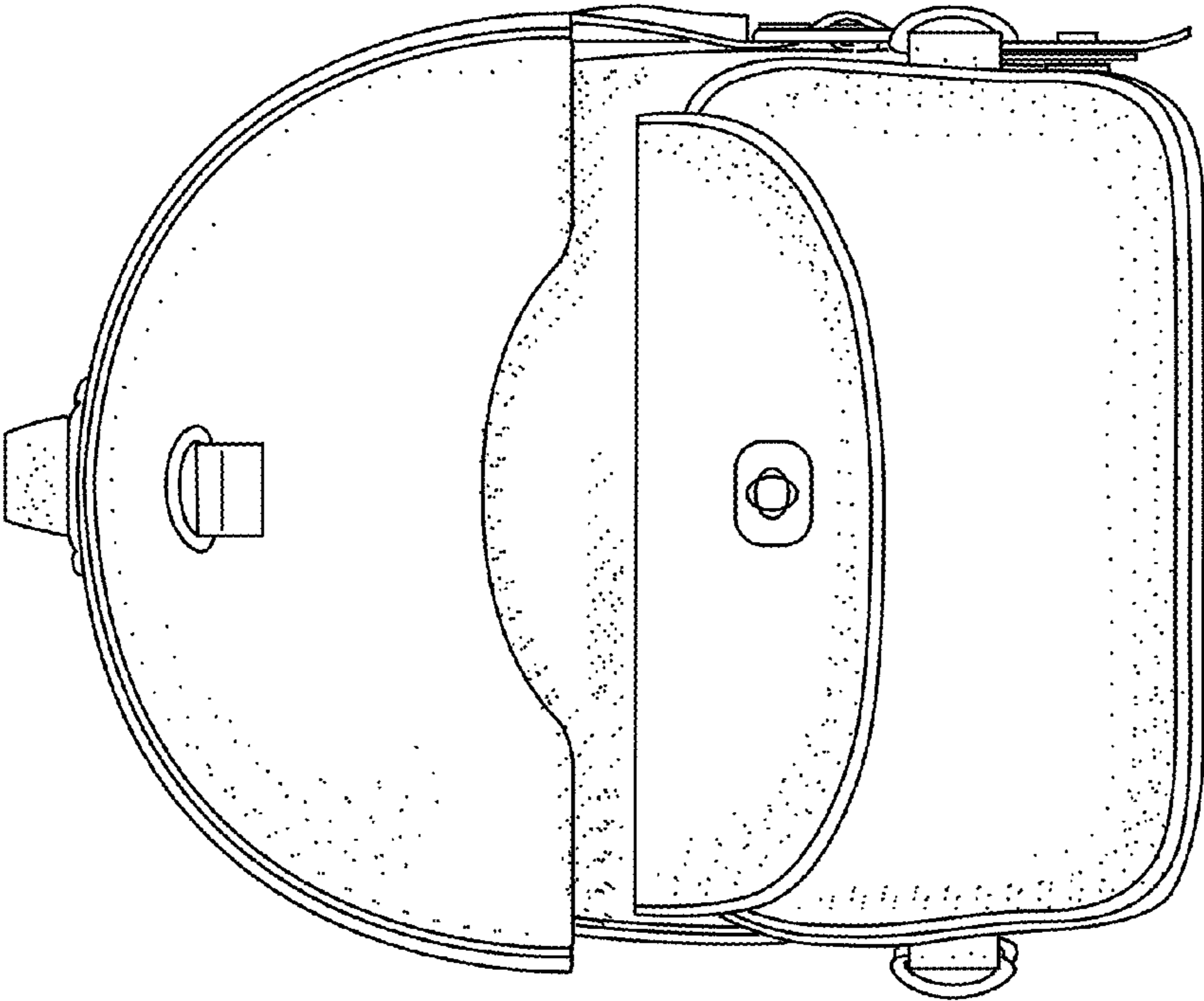


FIG. 5

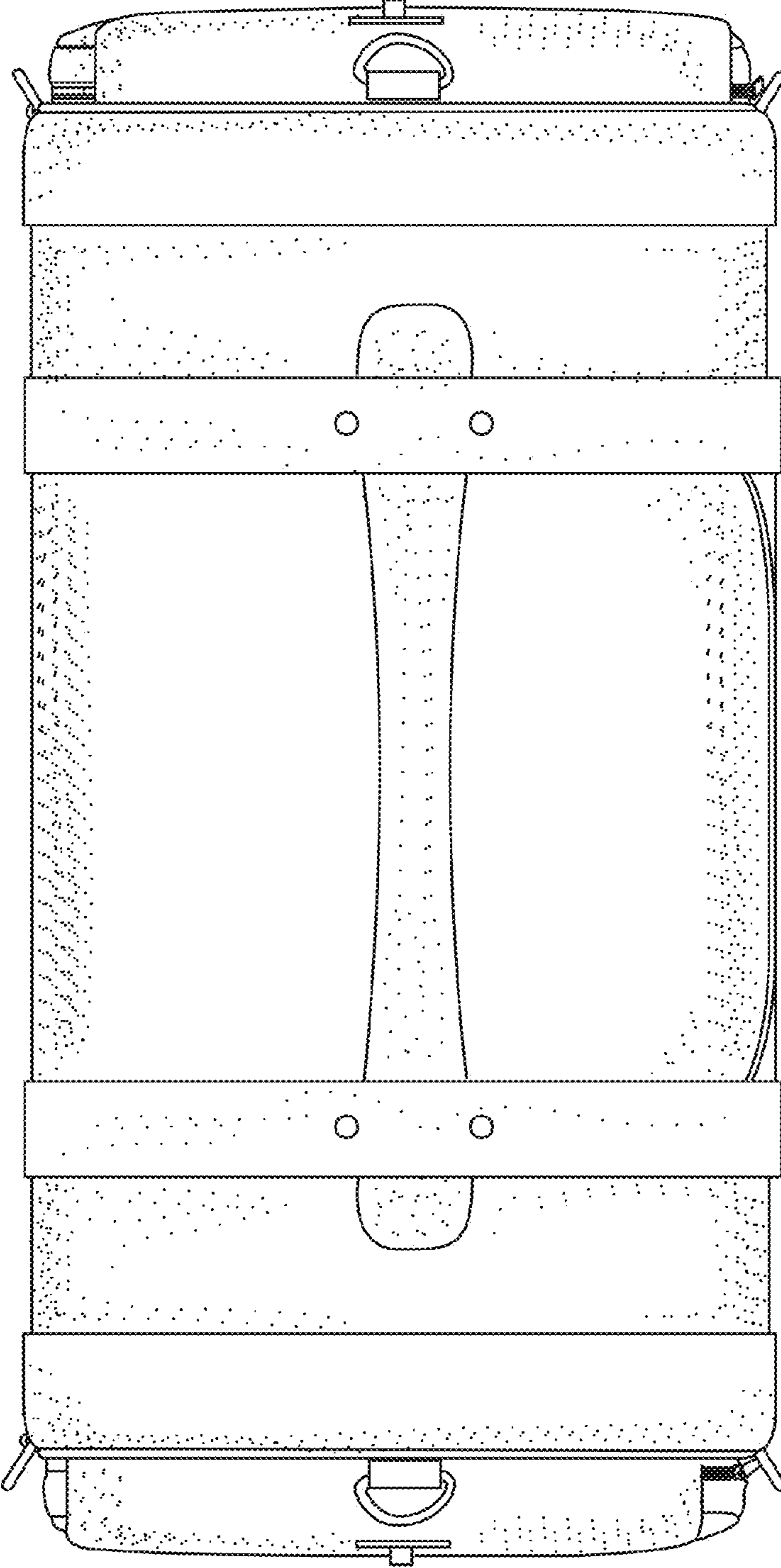


FIG. 6

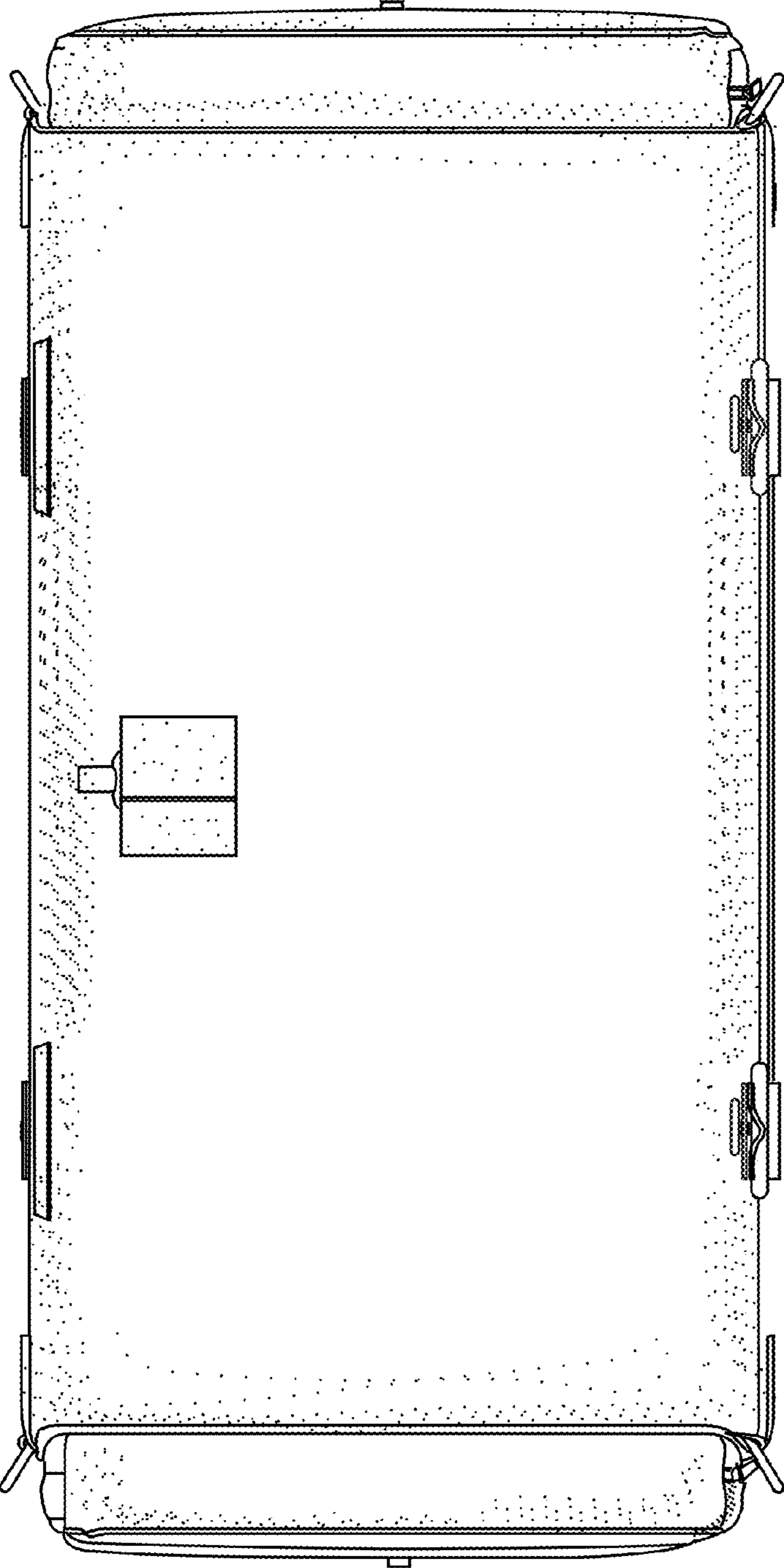


FIG. 7



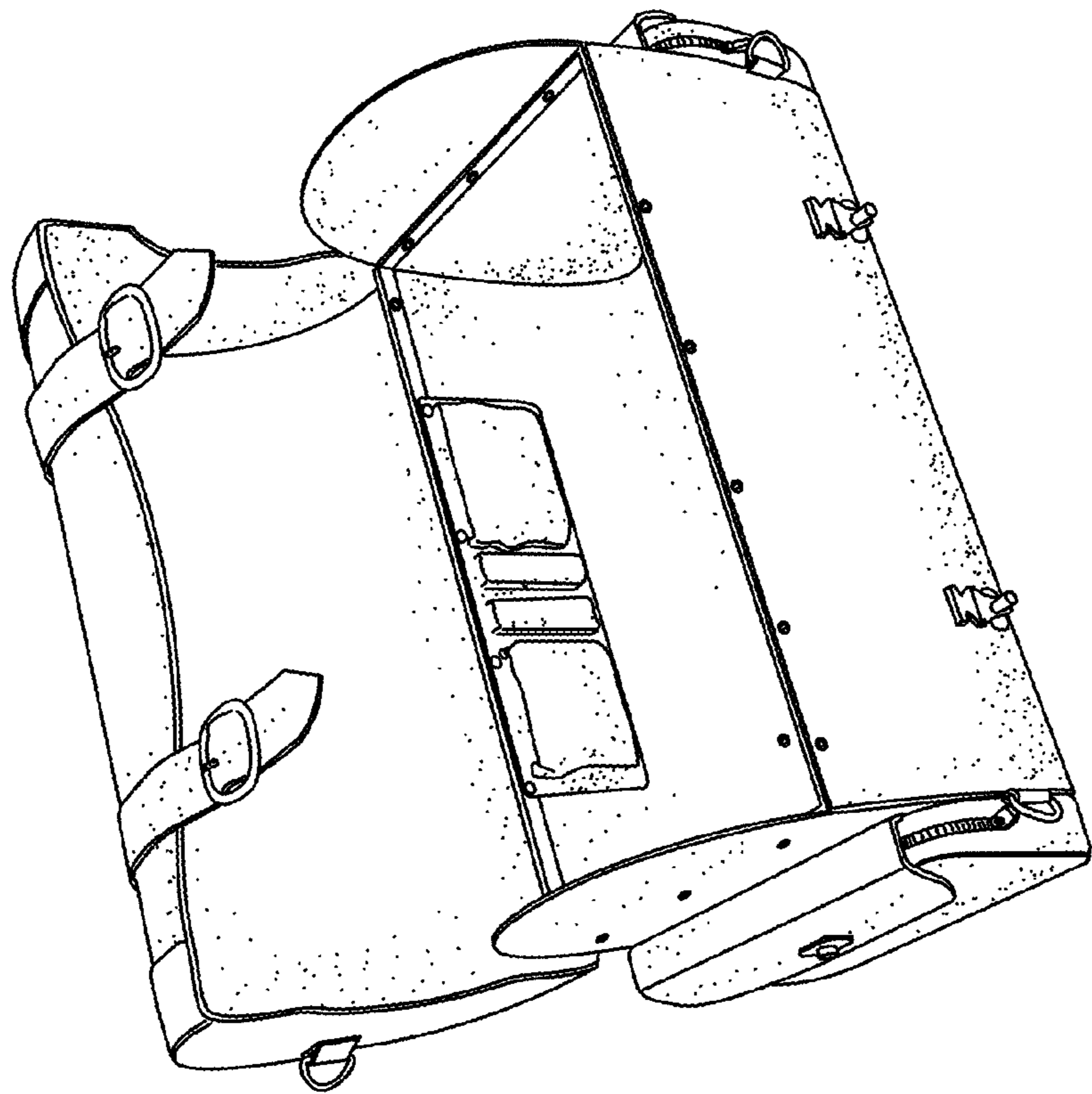


FIG. 8