



US00D715043S

(12) **United States Design Patent**
Rayeski et al.

(10) **Patent No.:** **US D715,043 S**

(45) **Date of Patent:** **** Oct. 14, 2014**

(54) **HOLSTER**

(71) Applicant: **Otter Products, LLC**, Fort Collins, CO
(US)

(72) Inventors: **Jonathan Rayeski**, Fort Collins, CO
(US); **William Travis Smith**, Fort
Collins, CO (US)

(73) Assignee: **Otter Products, LLC**, Fort Collins, CO
(US)

(**) Term: **14 Years**

(21) Appl. No.: **29/462,528**

(22) Filed: **Aug. 5, 2013**

(51) **LOC (10) Cl.** **03-01**

(52) **U.S. Cl.**
USPC **D3/218**

(58) **Field of Classification Search**
USPC D3/218, 201, 215, 219, 225–226, 294,
D3/273–273, 303; 206/305, 320;
455/575.1–575.8; 224/240, 236,
224/682–683, 600, 250; D14/138, 250–253

See application file for complete search history.

(56) **References Cited**

U.S. PATENT DOCUMENTS

D551,847 S *	10/2007	Yeap et al.	D3/218
D593,319 S *	6/2009	Richardson et al.	D3/218
D685,990 S *	7/2013	Zhang	D3/218
D691,373 S *	10/2013	Irvine	D3/303

* cited by examiner

Primary Examiner — Catheri Oliver-Garcia

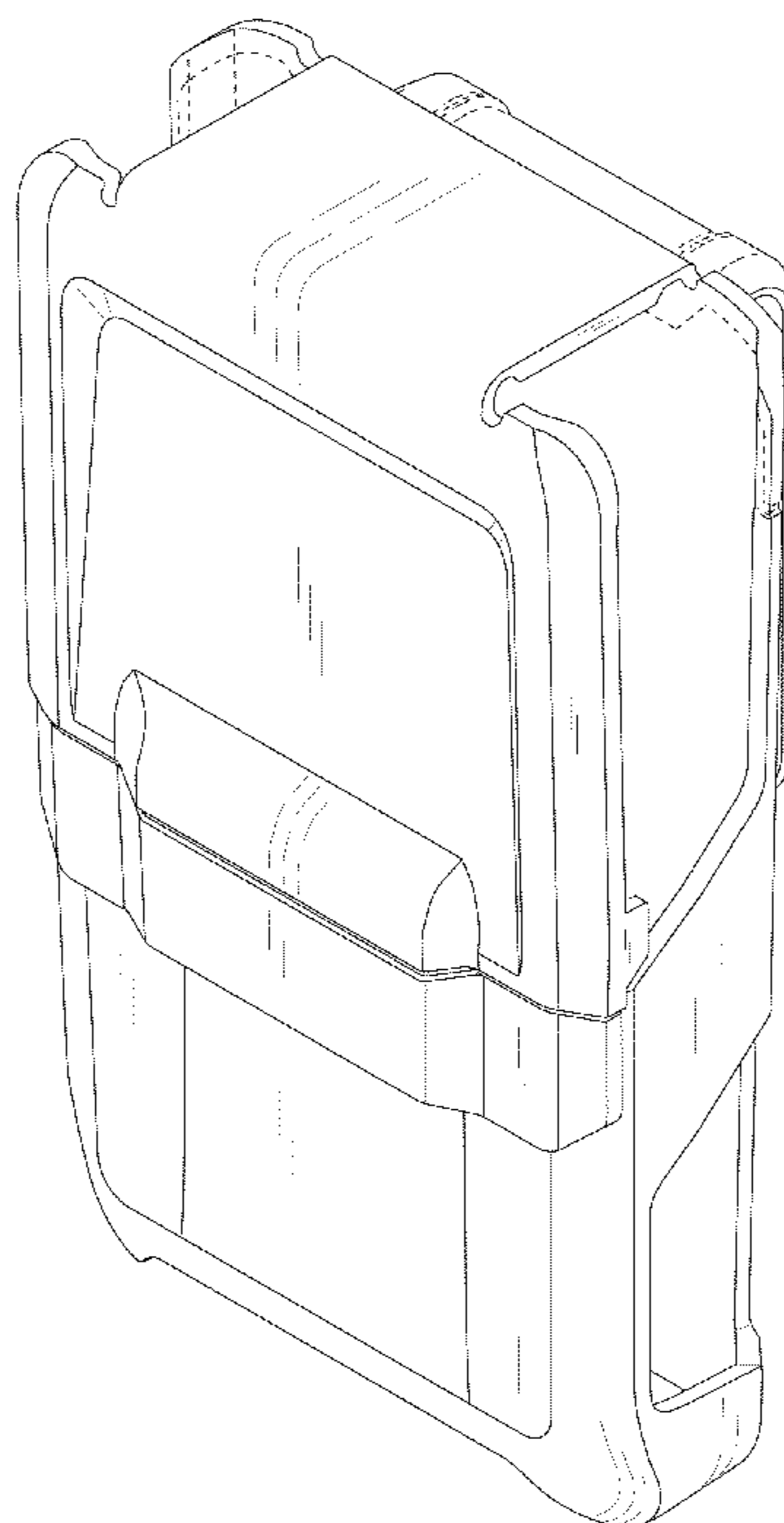
(57) **CLAIM**

The ornamental design for a holster, as shown and described.

DESCRIPTION

FIG. 1 is a front isometric view of a first configuration of a holster showing our new design;
FIG. 2 is a rear isometric view thereof;
FIG. 3 is a front view thereof;
FIG. 4 is a rear view thereof;
FIG. 5 is a left view thereof;
FIG. 6 is a right view thereof;
FIG. 7 is a top view thereof;
FIG. 8 is a bottom view thereof;
FIG. 9 is a front isometric view of a second configuration of a holster;
FIG. 10 is a rear isometric view of a second configuration thereof;
FIG. 11 is a left view of a second configuration thereof; and, FIG. 12 is a right view of a second configuration thereof.
The top and bottom views of the second configuration are the same as the views for the first configuration.
The dash-dash-dash broken lines depict unclaimed environment. The broken lines form no part of the claimed design.

1 Claim, 9 Drawing Sheets



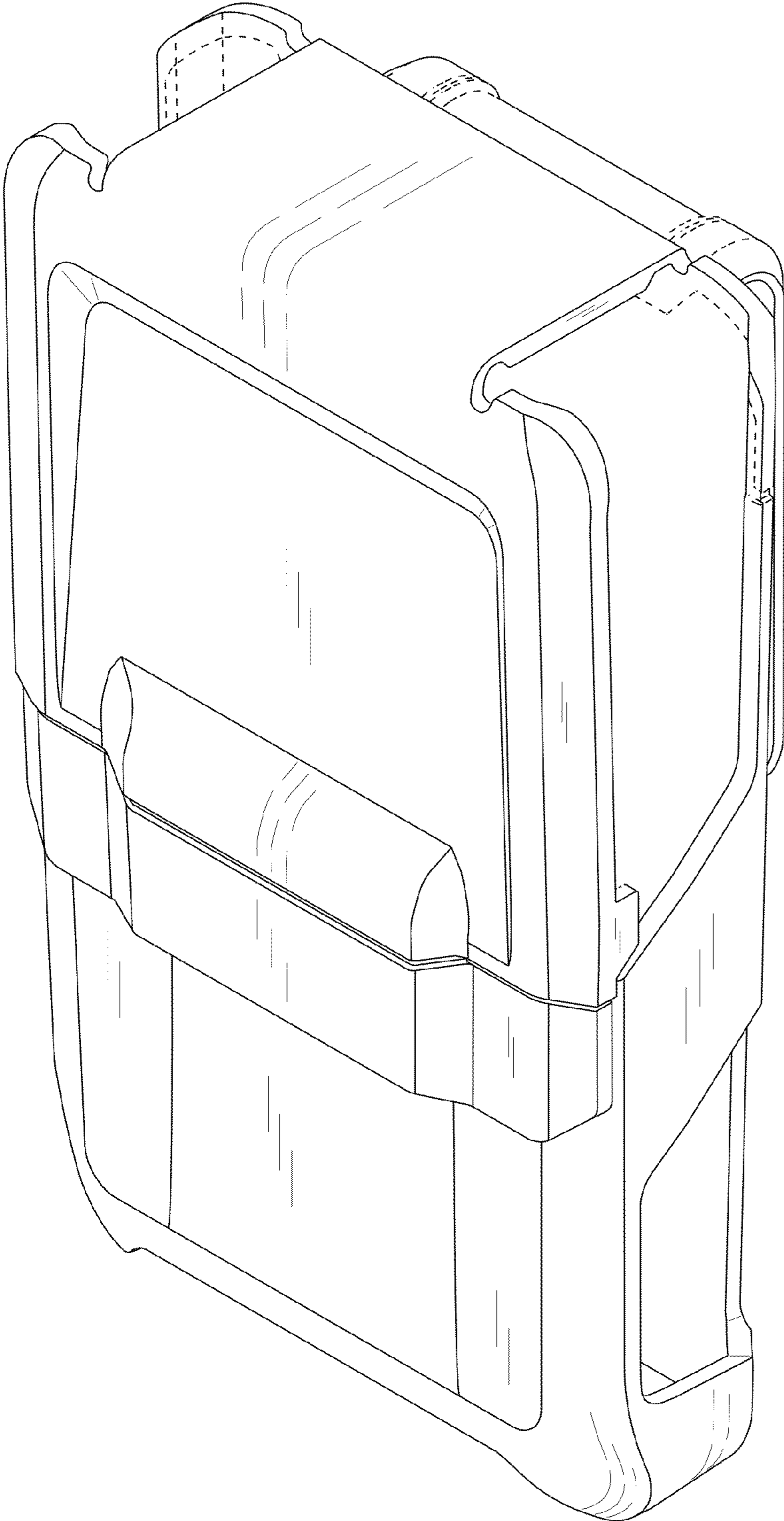


FIG. 1

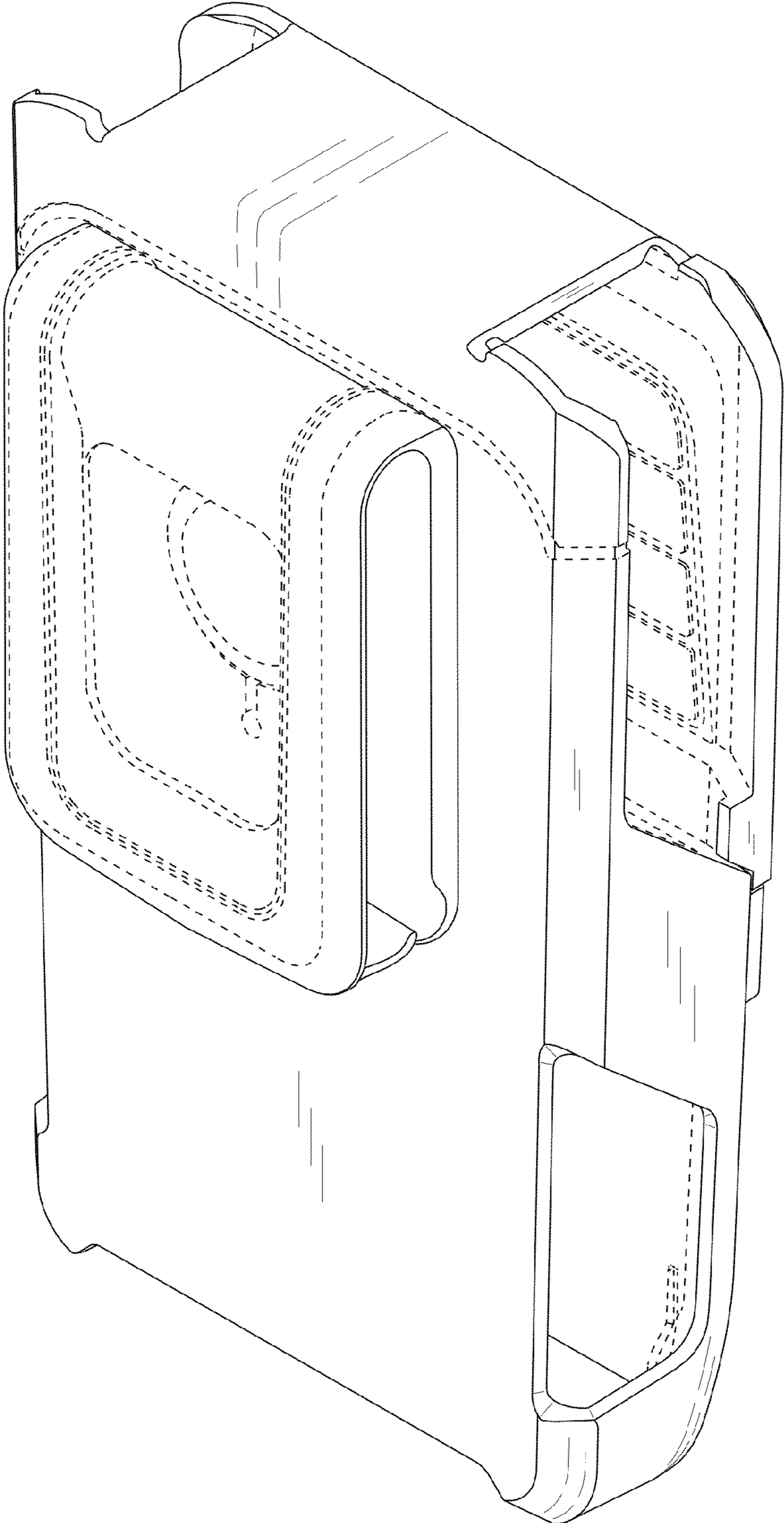


FIG. 2

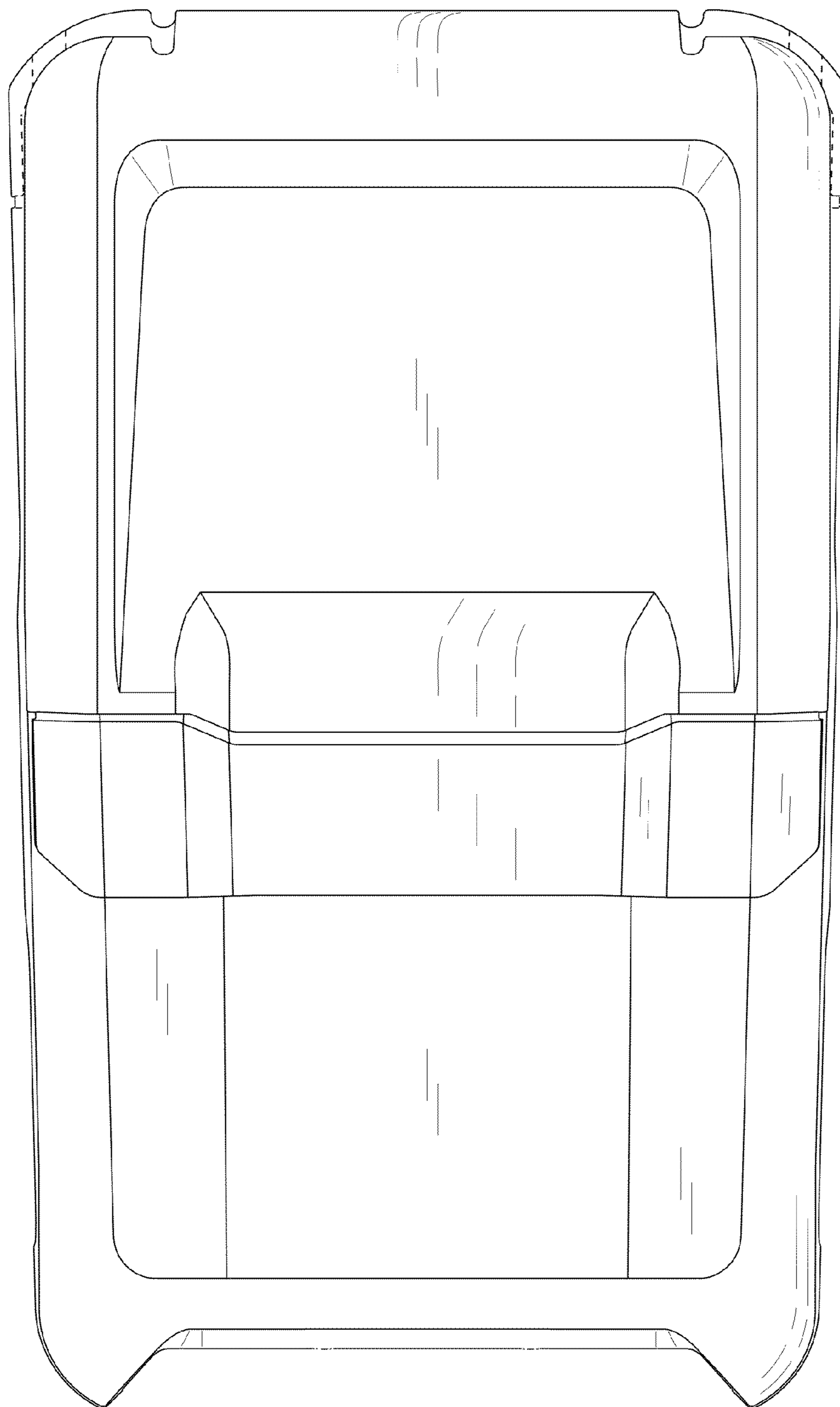


FIG. 3

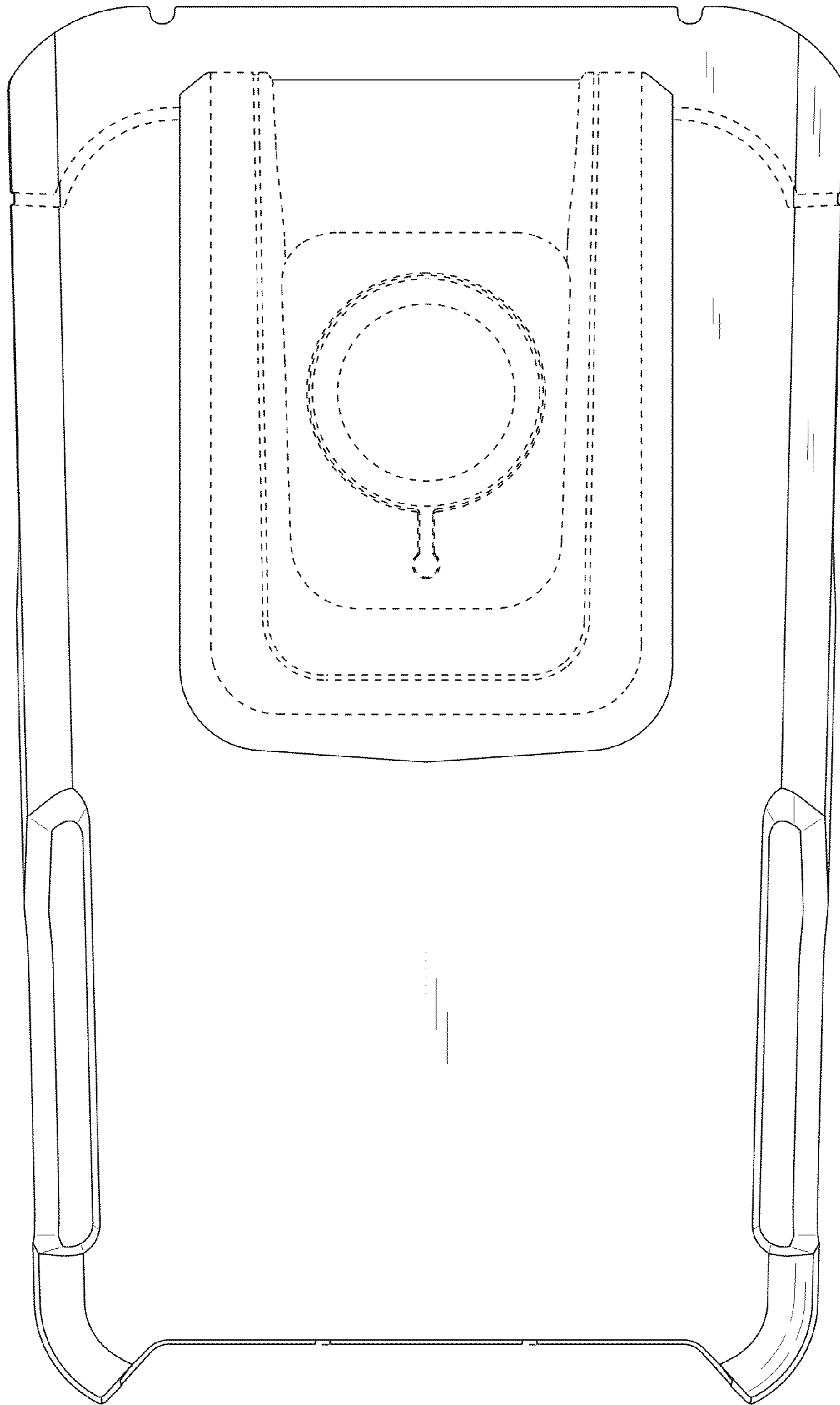


FIG. 4

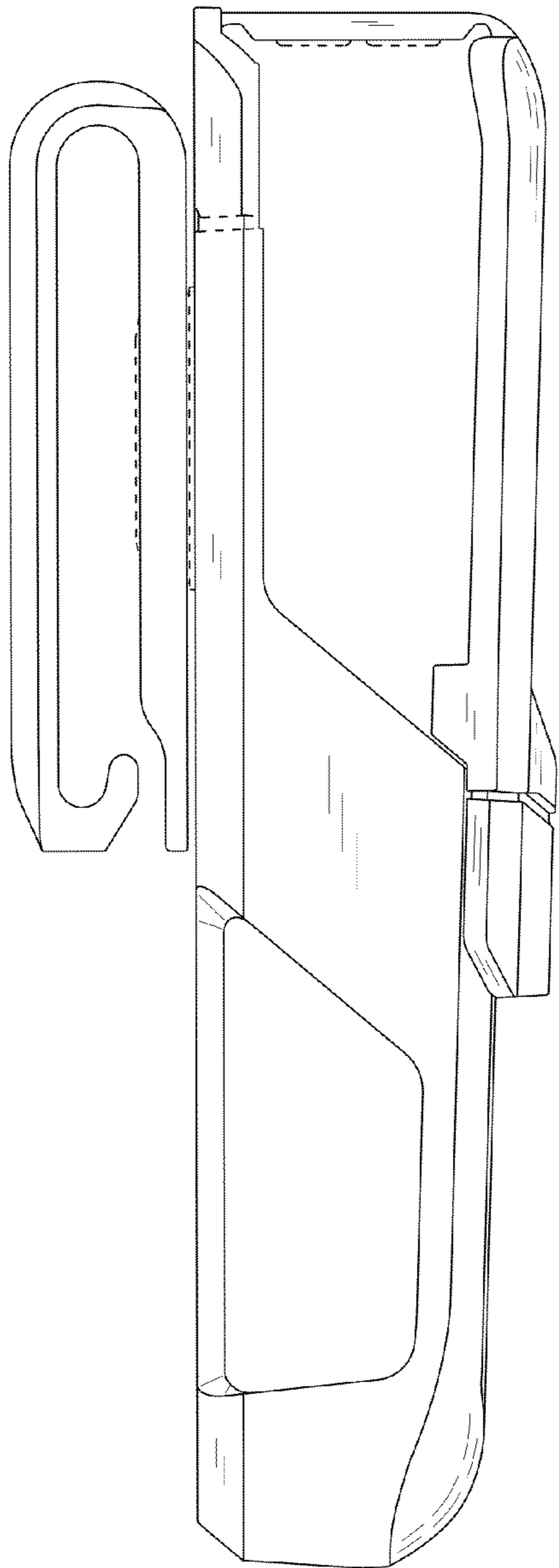


FIG. 5

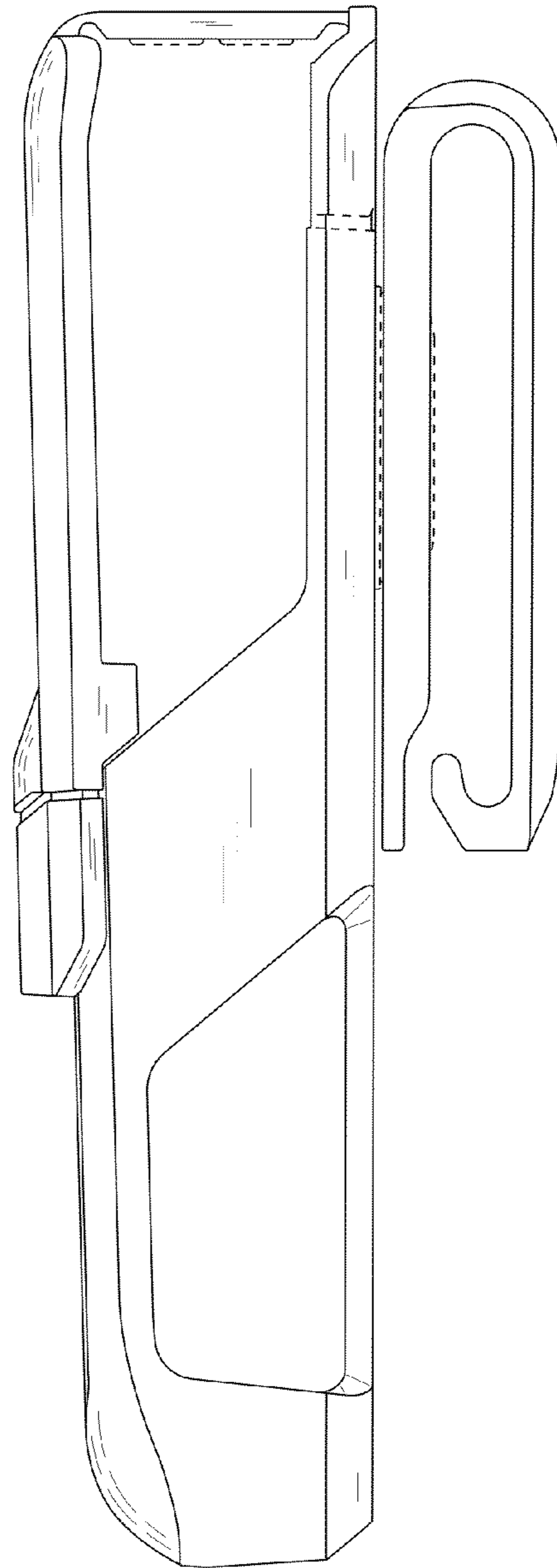


FIG. 6

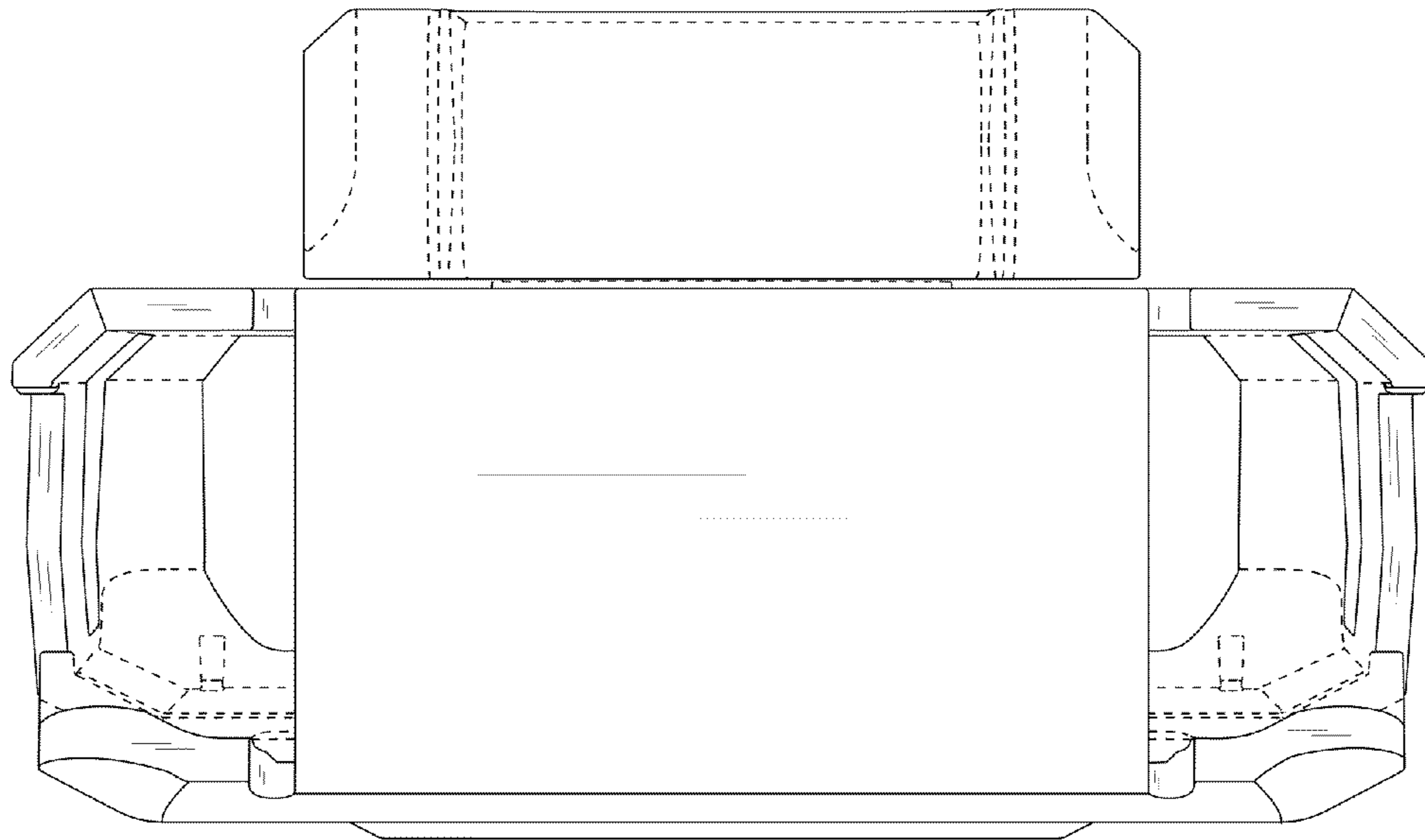


FIG. 7

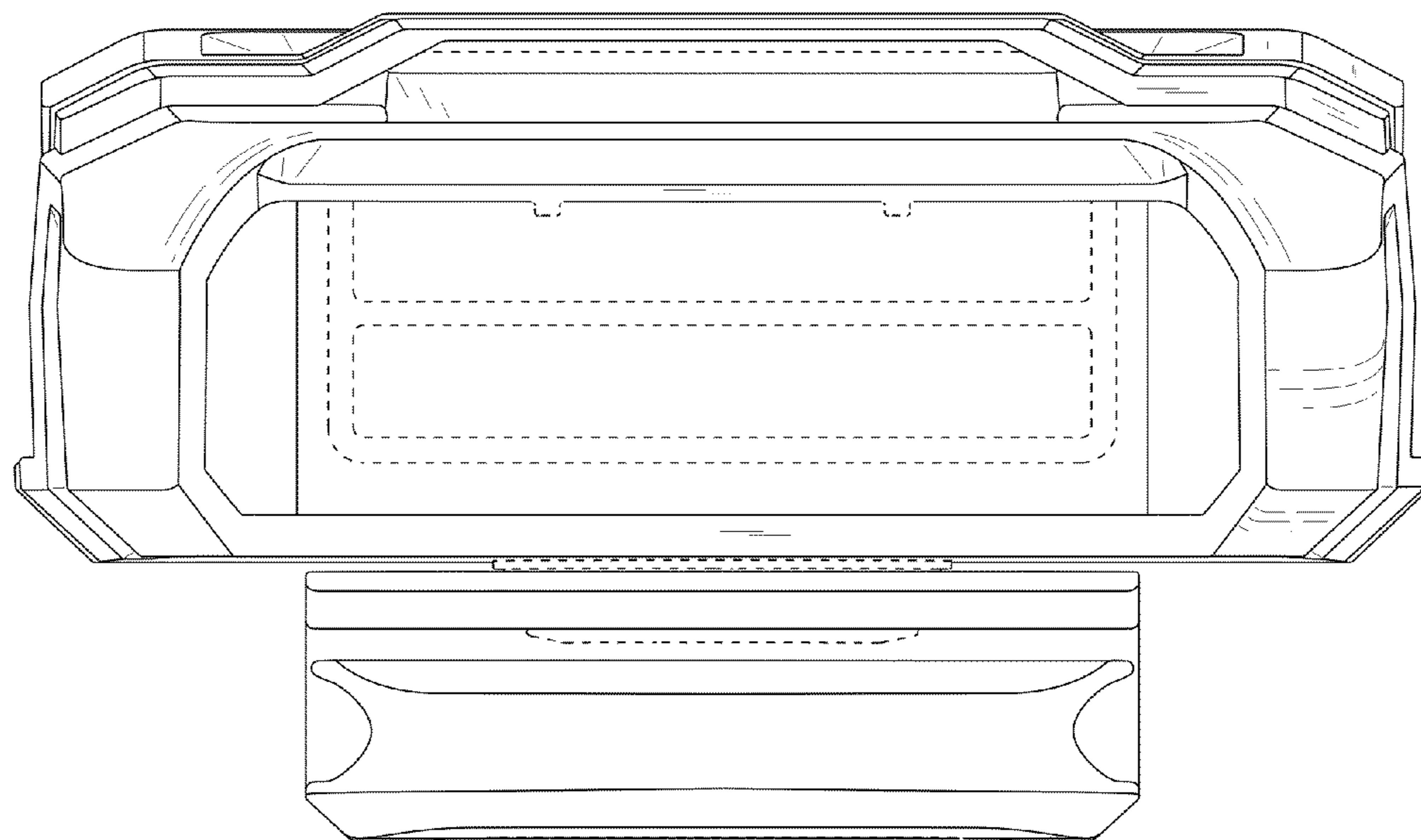


FIG. 8

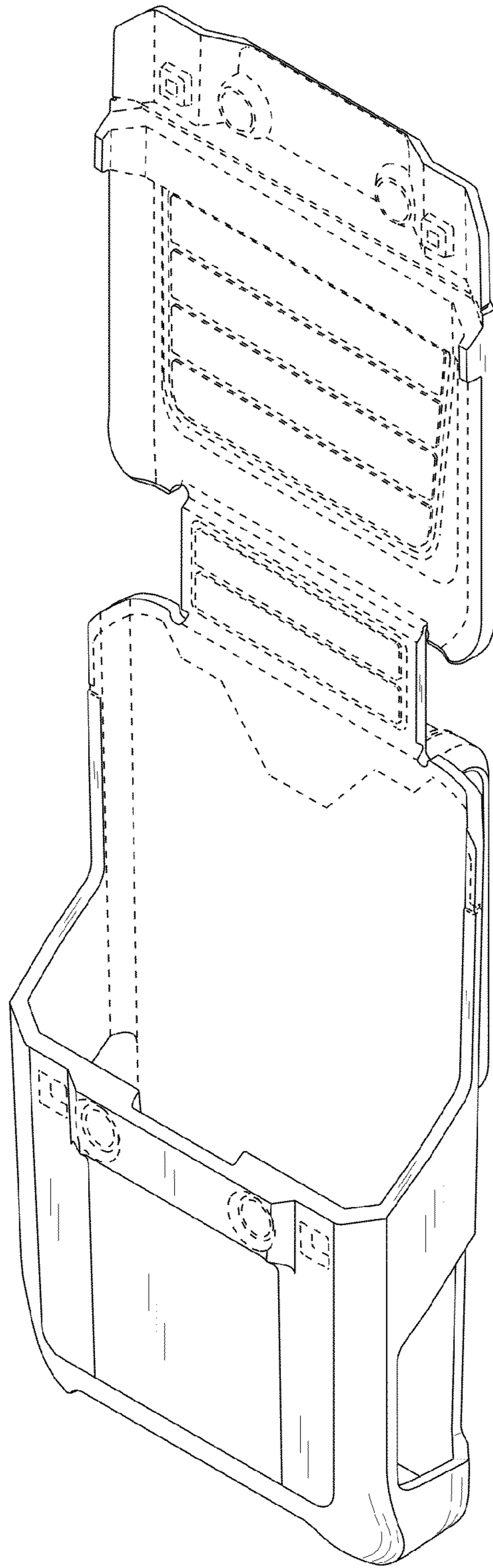


FIG. 9

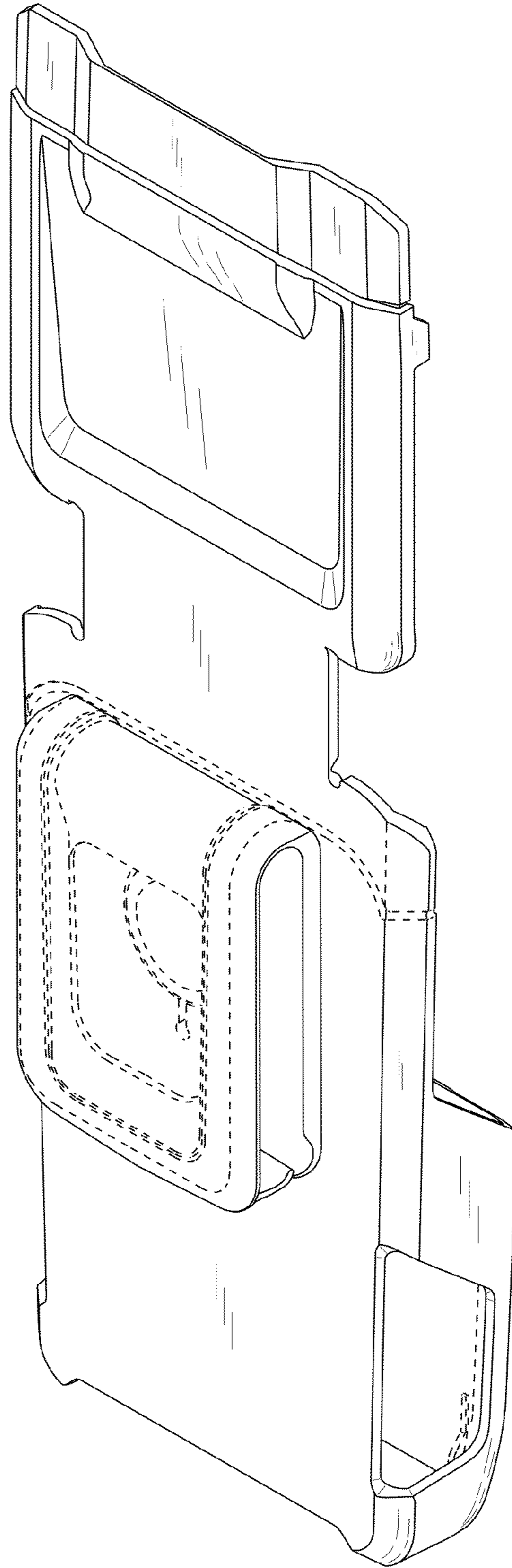


FIG. 10

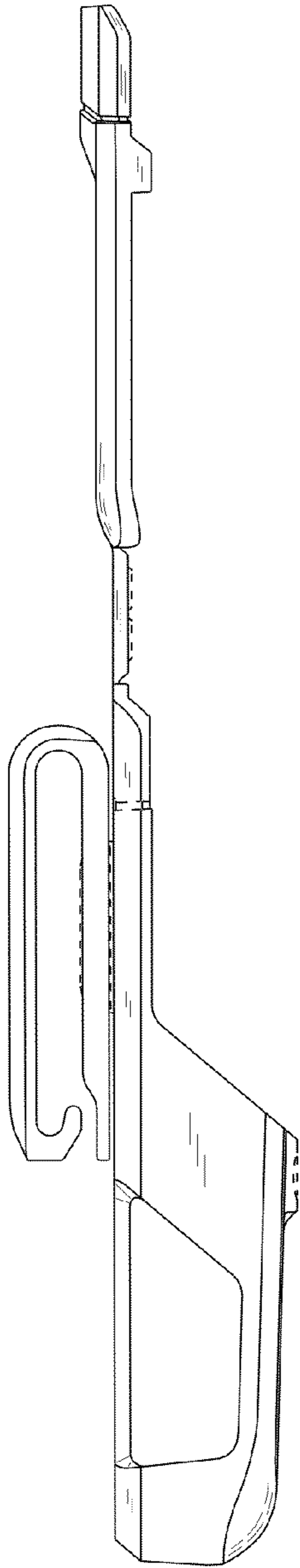


FIG. 11

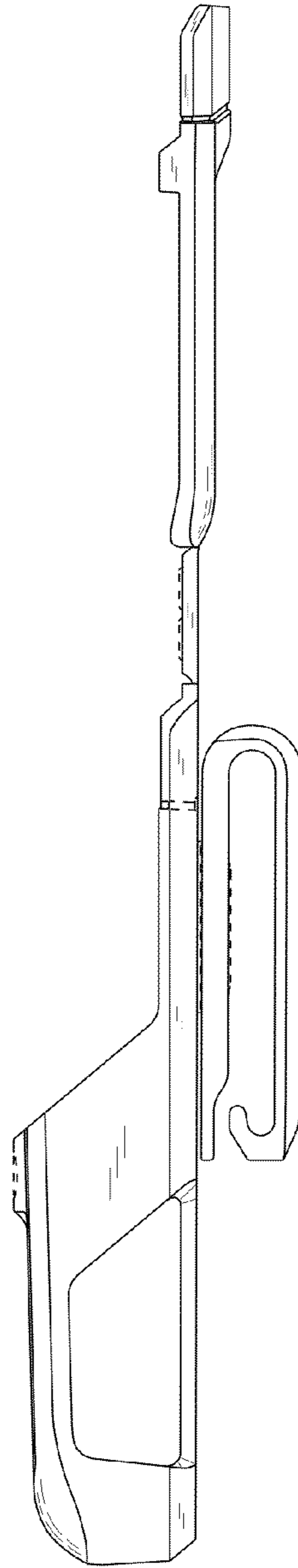


FIG. 12