



US00D715042S

(12) **United States Design Patent**
Oas

(10) **Patent No.:** **US D715,042 S**

(45) **Date of Patent:** **** Oct. 14, 2014**

(54) **BADGE-SHAPED CARABINEER**

(56) **References Cited**

(71) Applicant: **Daniel Oas**, Irwindale, CA (US)

U.S. PATENT DOCUMENTS

(72) Inventor: **Daniel Oas**, Irwindale, CA (US)

D290,349 S *	6/1987	Kasai	D11/218
D507,509 S *	7/2005	Hou	D11/218
D507,763 S *	7/2005	Kaneko et al.	D11/218
D514,311 S *	2/2006	Cetera	D3/215
7,380,357 B2 *	6/2008	Jones et al.	40/1.5
2003/0093931 A1 *	5/2003	Cuff	40/1.6

(73) Assignee: **Calibre International, LLC**, Irwindale, CA (US)

* cited by examiner

(**) Term: **14 Years**

Primary Examiner — Michael A Pratt

(21) Appl. No.: **29/453,803**

(74) *Attorney, Agent, or Firm* — Thomas I. Rozsa

(22) Filed: **May 2, 2013**

(57) **CLAIM**

The ornamental design for a badge-shaped carabineer, as shown and described.

(51) **LOC (10) Cl.** **03-01**

DESCRIPTION

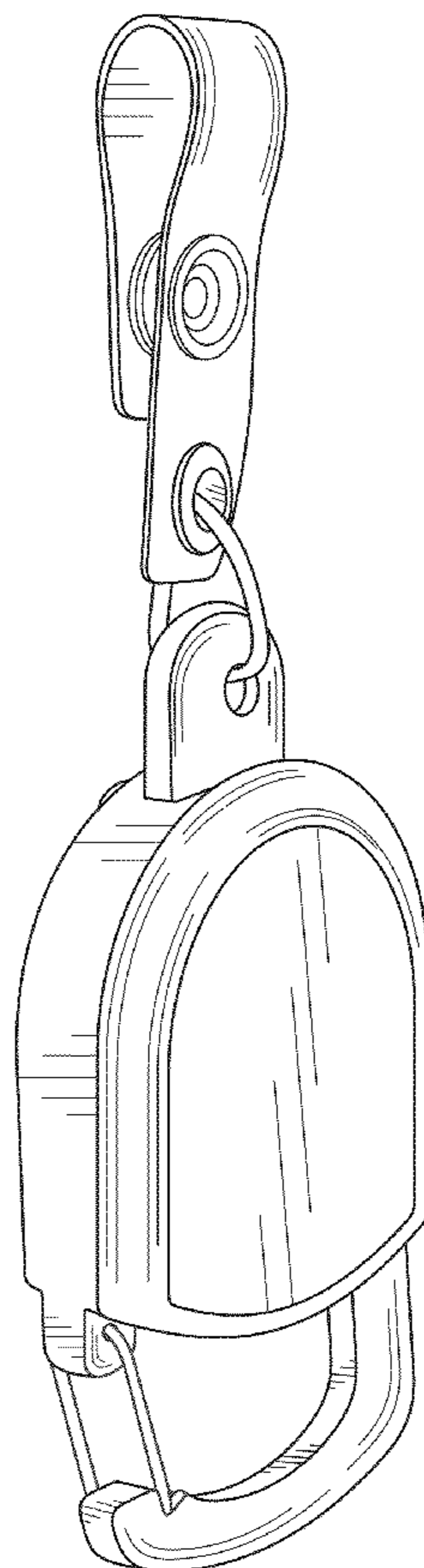
(52) **U.S. Cl.**
USPC **D3/215**

(58) **Field of Classification Search**
USPC D3/215, 207-212, 228; 40/1.5, 1.6,
40/586, 661.04, 661.05; 24/3.1, 3.6,
24/3.11-3.13; 431/253; 242/385.4, 404.1,
242/404.3; 70/456 R; D8/34

FIG. 1 is a front side perspective view of a badge-shaped carabineer, showing my new design;
FIG. 2 is a rear side perspective view thereof;
FIG. 3 is a front view thereof;
FIG. 4 is a rear view thereof;
FIG. 5 is a left side view thereof;
FIG. 6 is a right side view thereof;
FIG. 7 is a top view thereof; and,
FIG. 8 is a bottom view thereof.

See application file for complete search history.

1 Claim, 6 Drawing Sheets



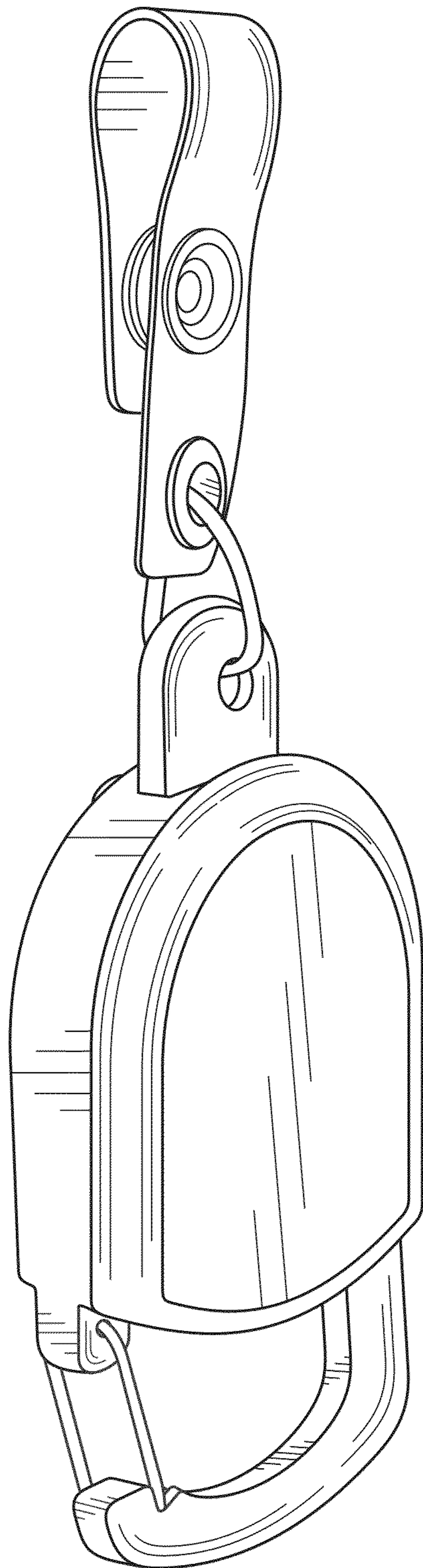


FIG. 1

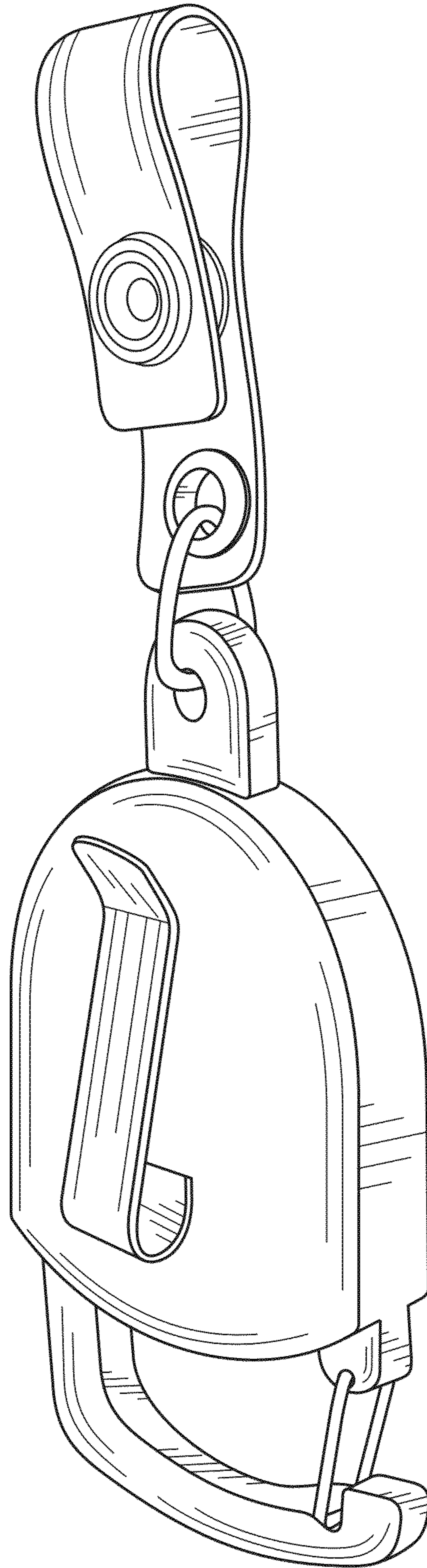


FIG. 2

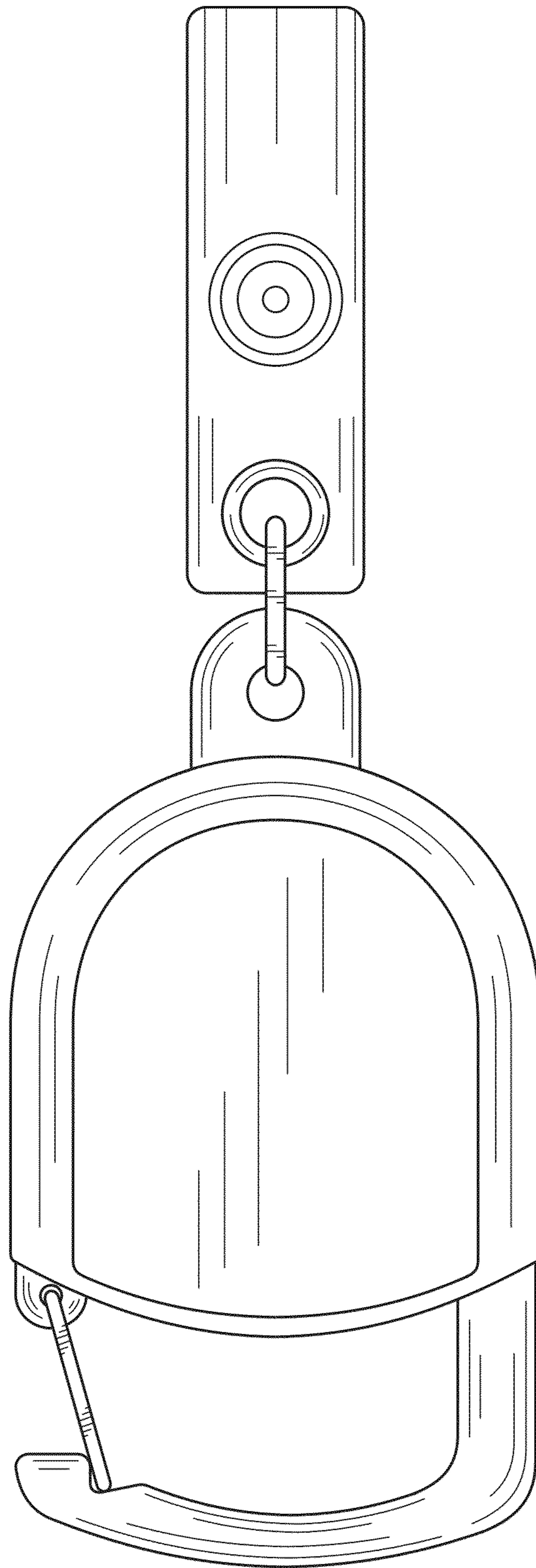


FIG. 3

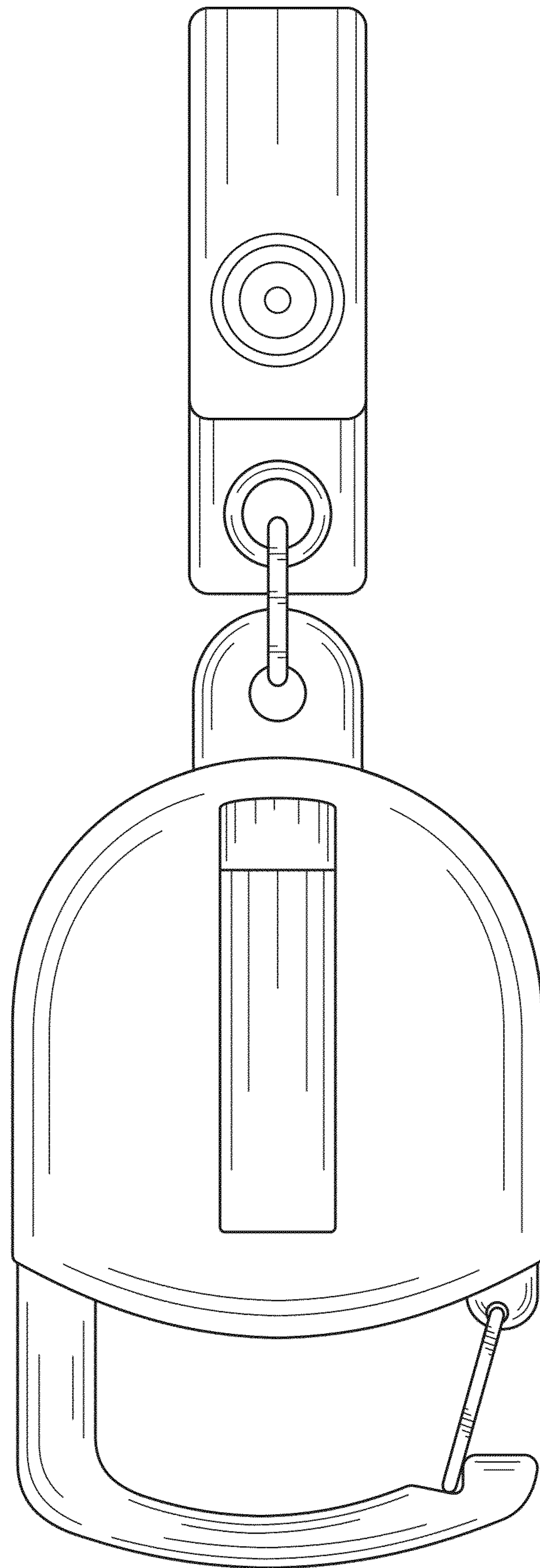


FIG. 4

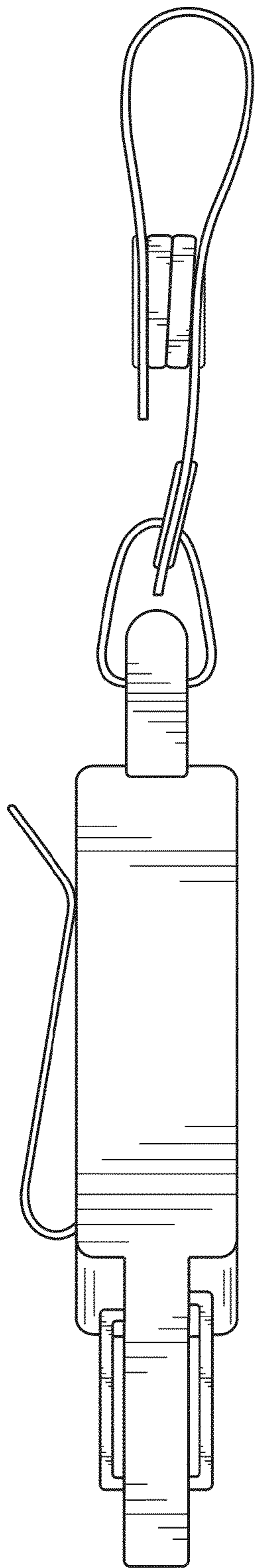


FIG. 5

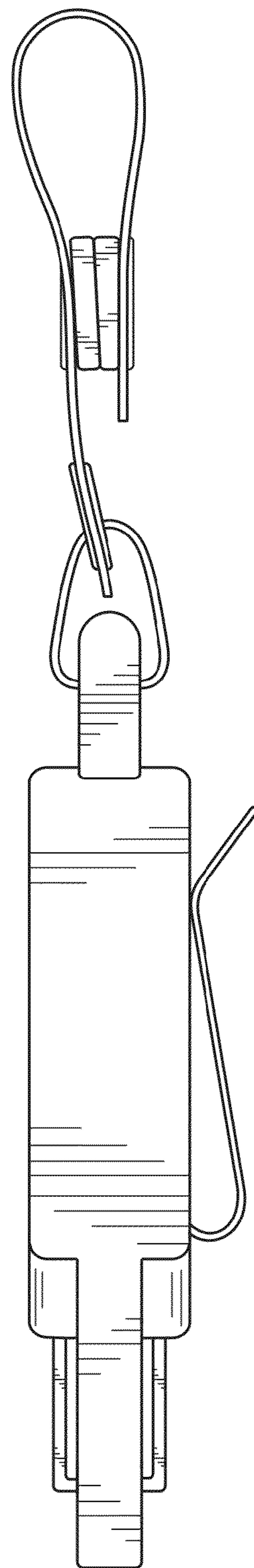


FIG. 6

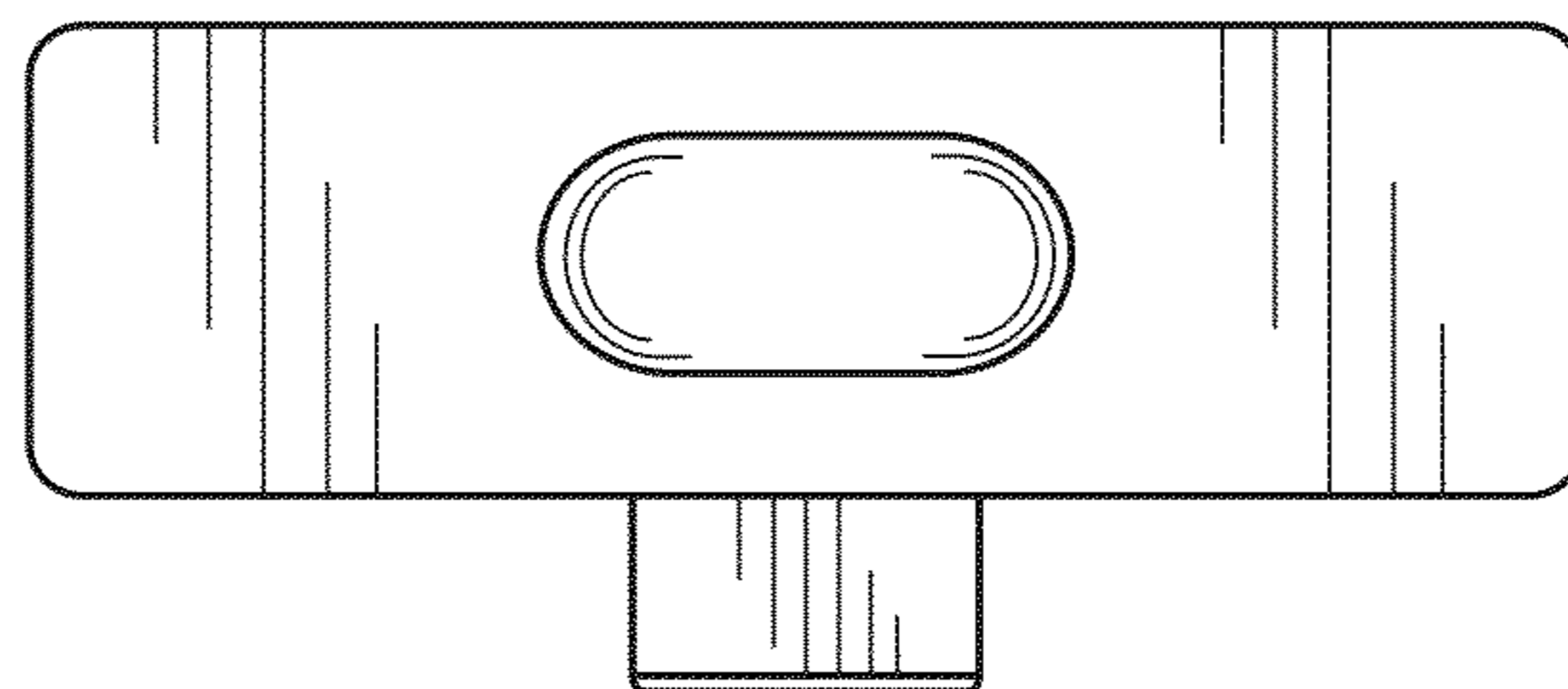


FIG. 7

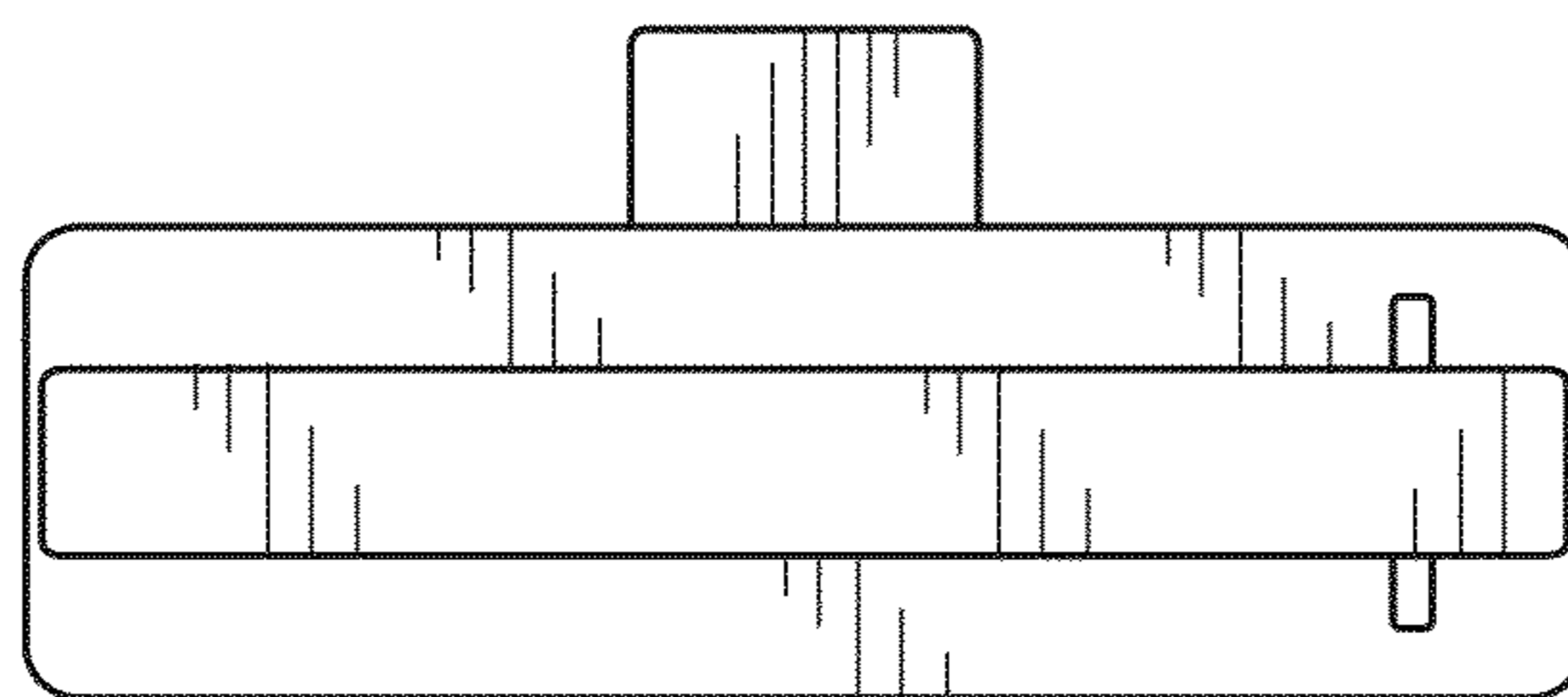


FIG. 8