



US00D715040S

(12) **United States Design Patent**
Mermet

(10) **Patent No.:** **US D715,040 S**
(45) **Date of Patent:** **** Oct. 14, 2014**

(54) **SHOE UPPER**

(71) Applicant: **NIKE, Inc.**, Beaverton, OR (US)

(72) Inventor: **Sebastien Mermet**, Creteil (FR)

(73) Assignee: **NIKE, Inc.**, Beaverton, OR (US)

(**) Term: **14 Years**

(21) Appl. No.: **29/492,547**

(22) Filed: **May 30, 2014**

(51) **LOC (10) Cl.** **02-99**

(52) **U.S. Cl.**
USPC **D2/972**

(58) **Field of Classification Search**
USPC D2/902, 906–908, 925–942, 944, 969,
D2/972–974; 36/45, 50.1, 77 M, 77 R, 83,
36/88, 114, 126–131
See application file for complete search history.

(56) **References Cited**

U.S. PATENT DOCUMENTS

D67,572 S *	6/1925	Bohr	D2/942
D303,870 S	10/1989	Selbiger		
D312,527 S	12/1990	Hatfield		
D467,410 S *	12/2002	Mervar	D2/972
D473,369 S *	4/2003	Link	D2/972
D480,553 S *	10/2003	Adams et al.	D2/969
D499,243 S *	12/2004	Avar	D2/972
D499,250 S	12/2004	Smith		
D499,875 S *	12/2004	Lozano	D2/972
D512,827 S	12/2005	Usuki et al.		
D513,111 S	12/2005	Caine		
D514,304 S *	2/2006	McCullagh	D2/972
D528,276 S	9/2006	Fullum		
D532,590 S	11/2006	Belley et al.		
D532,593 S *	11/2006	Mayden	D2/972
D537,616 S *	3/2007	Campbell	D2/972
D544,690 S *	6/2007	Mermet	D2/972
D546,544 S	7/2007	DiTullo, Jr.		
D546,545 S	7/2007	DiTullo, Jr. et al.		
D594,215 S *	6/2009	Banik et al.	D2/969
D641,967 S	7/2011	Mayden et al.		
D642,787 S	8/2011	Lee		
D648,110 S	11/2011	Rasmussen		

D650,572 S	12/2011	Chang		
D668,437 S	10/2012	Mahoney		
D689,684 S *	9/2013	McMillan	D2/972
D696,847 S *	1/2014	McCullagh	D2/972
D696,850 S	1/2014	Miner		
D699,429 S	2/2014	Miner		
D703,933 S	5/2014	Avar et al.		

OTHER PUBLICATIONS

Nike Footwear Catalog, 1994 Fall Footwear, p. 91, published Nov. 1993, NIKE, Inc., USA.
 Nike Footwear Catalog, 1997 Late Spring Footwear, p. 37, published Sep. 1996, NIKE, Inc., USA.
 Nike Footwear Catalog, 2000 Fall: Men's and Women's Footwear (blue cover), p. 12, published Nov. 1999, NIKE, Inc., USA.
 Nike Footwear Catalog, 2011 Fall: Men's Performance Footwear, p. 53, published Nov. 2010, NIKE, Inc., USA.
 Nike Footwear Catalog, 2011 Fall: Women's Performance Footwear, p. 24, published Nov. 2010, NIKE, Inc., USA.
 Nike Footwear Catalog, 2012 Fall: Core Footwear, p. 46, published Nov. 2011, NIKE, Inc., USA.
 Nike Footwear Catalog, 2012 Fall: Women's Performance Footwear, p. 40, published Nov. 2011, NIKE, Inc., USA.

* cited by examiner

(Continued)

Primary Examiner — Dominic Simone
(74) *Attorney, Agent, or Firm* — Banner & Witcoff, Ltd.

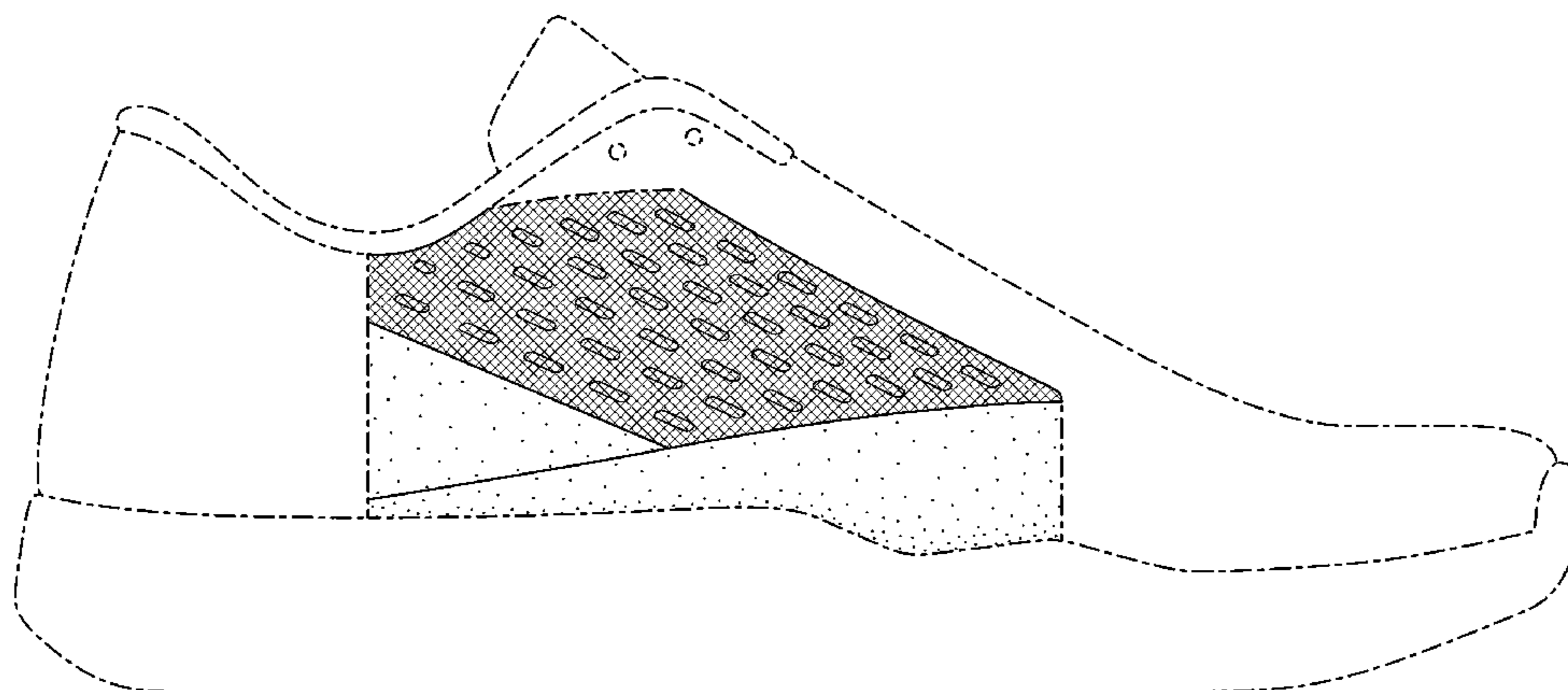
(57) **CLAIM**

The ornamental design for a shoe upper, as shown and described.

DESCRIPTION

FIG. 1 is a front perspective view of a shoe upper showing my new design;
 FIG. 2 is a side view thereof; and,
 FIG. 3 is a rear perspective view thereof.
 The broken lines immediately adjacent to the shaded area represent unclaimed boundaries of the design. The broken lines showing the remainder of the shoe are for environmental purposes only and form no part of the claimed design.

1 Claim, 3 Drawing Sheets



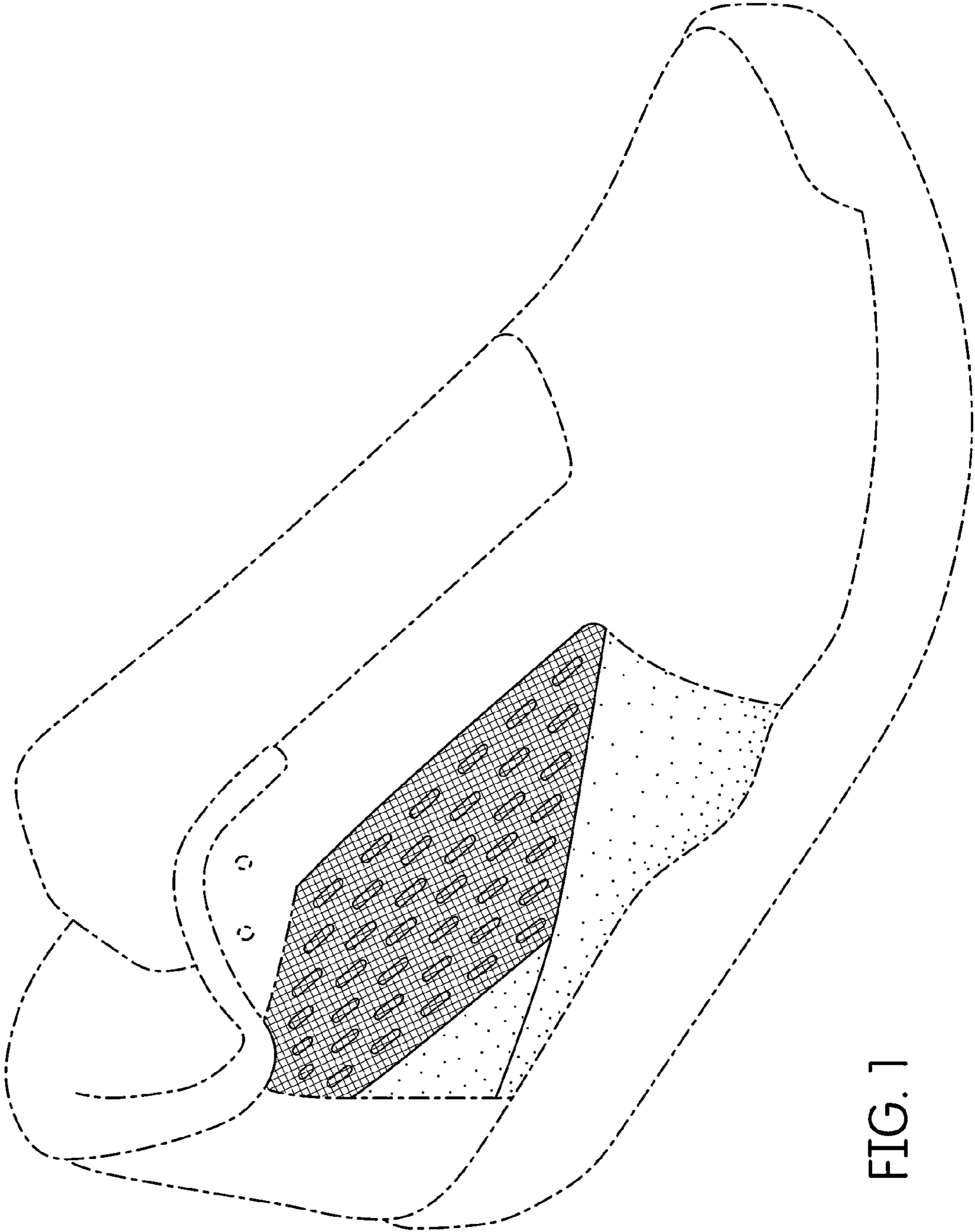


FIG. 1

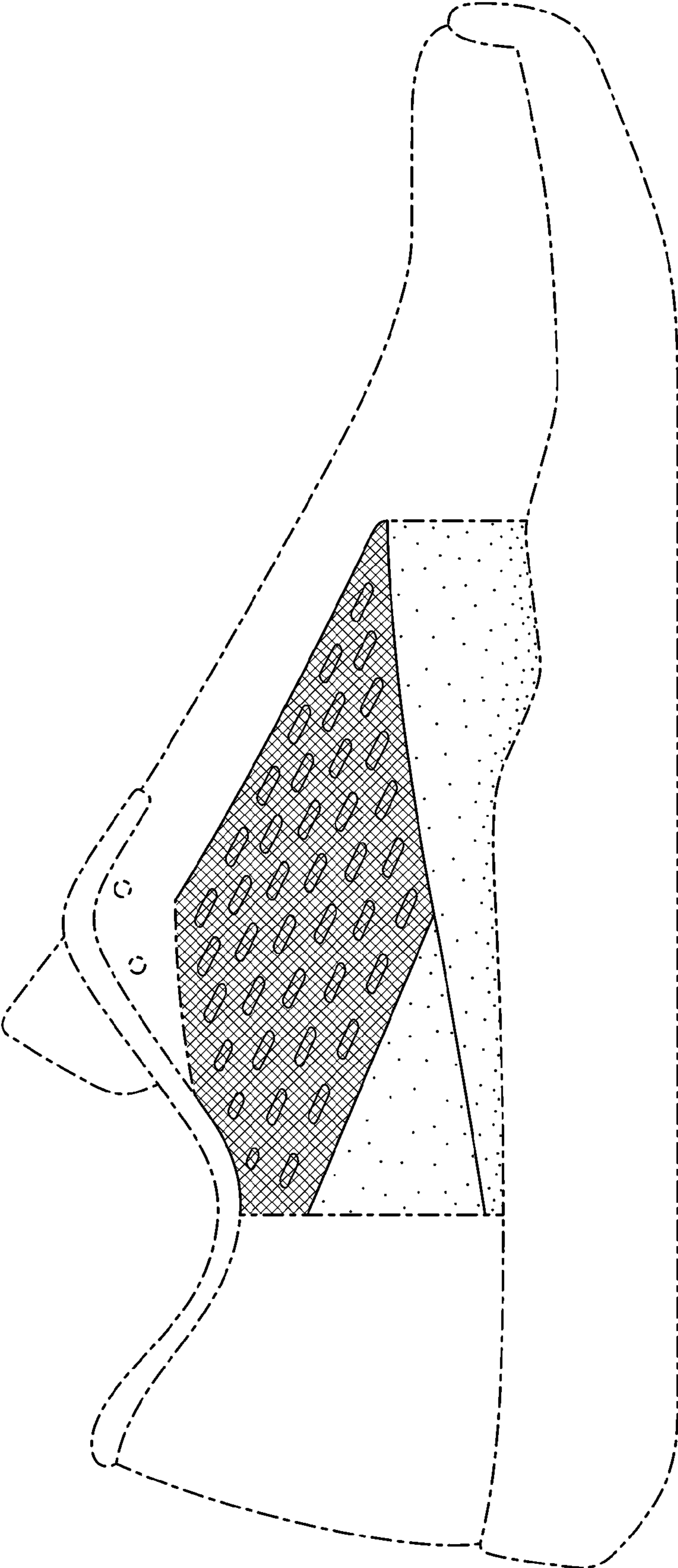


FIG. 2

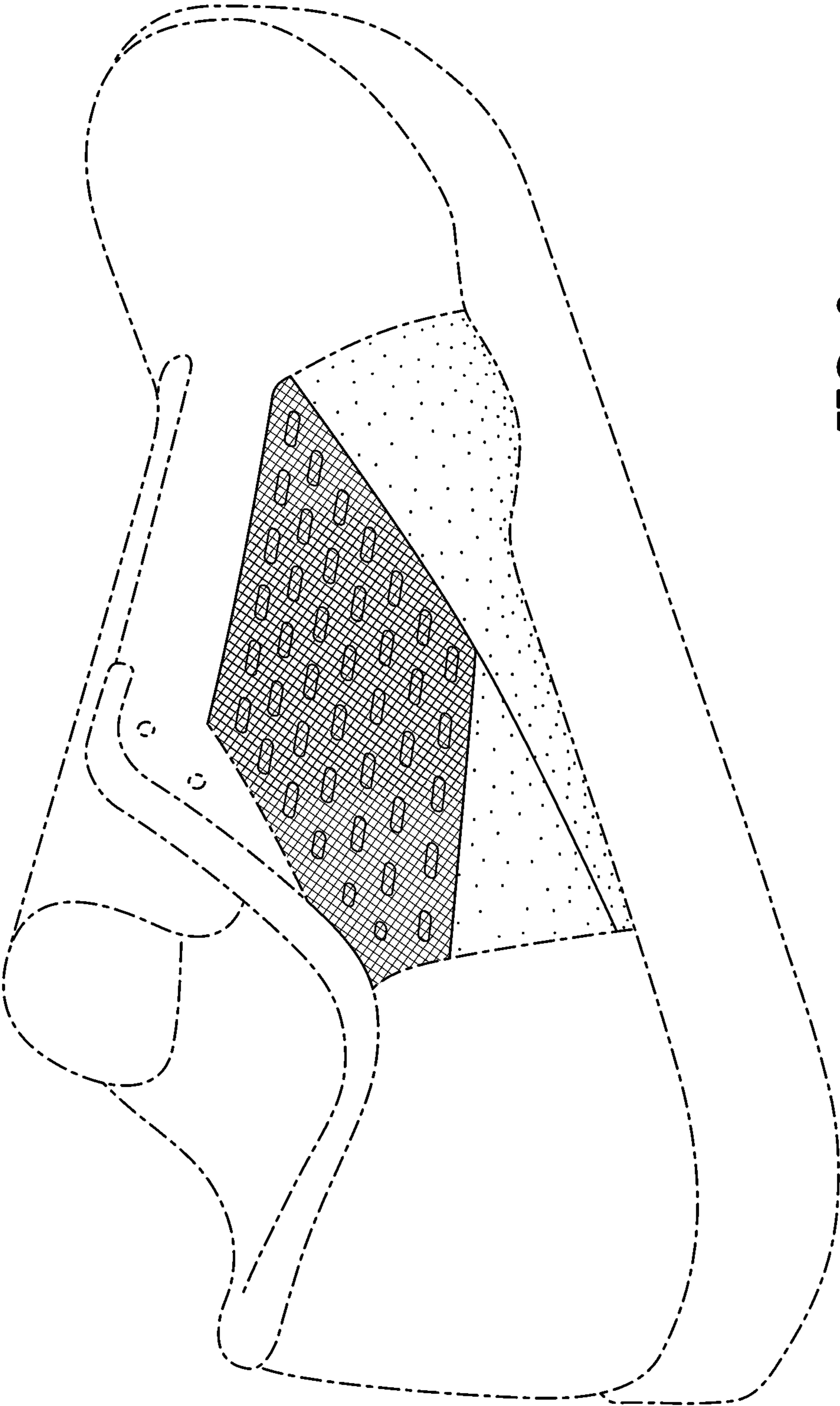


FIG. 3