



US00D715039S

(12) **United States Design Patent**
James

(10) **Patent No.:** **US D715,039 S**
(45) **Date of Patent:** **** Oct. 14, 2014**

(54) **SHOE UPPER**
(71) Applicant: **NIKE, Inc.**, Beaverton, OR (US)
(72) Inventor: **Georgina James**, Portland, OR (US)
(73) Assignee: **NIKE, Inc.**, Beaverton, OR (US)
(**) Term: **14 Years**
(21) Appl. No.: **29/492,545**

D513,449 S 1/2006 Caron et al.
D514,879 S 2/2006 Norris et al.
D516,798 S 3/2006 Blakeslee
D520,226 S 5/2006 Lotti
D522,734 S 6/2006 Lubrano
D523,231 S 6/2006 Petrie
D524,532 S 7/2006 Roulo
D527,884 S * 9/2006 Morris D2/972
D541,522 S * 5/2007 Paz D2/972
D547,041 S * 7/2007 Belley et al. D2/969
D547,043 S * 7/2007 Matis et al. D2/969
D554,831 S 11/2007 Lotti
D683,112 S 5/2013 James
D686,808 S 7/2013 Tzenos

(22) Filed: **May 30, 2014**
(51) **LOC (10) Cl.** **02-99**
(52) **U.S. Cl.**
USPC **D2/972**
(58) **Field of Classification Search**
USPC D2/902, 906-908, 910, 925-942, 944,
D2/969, 972-974; 36/45, 50.1, 77 M, 77 R,
36/83, 88, 114, 126-131
See application file for complete search history.

OTHER PUBLICATIONS

Nike Footwear Catalog, 1986 Fall: Performance, p. 44, published Jan. 1986, NIKE, Inc., USA.
Nike Footwear Catalog, 1992 Spring Footwear, p. 120, published May 1991, NIKE, Inc., USA.

(Continued)

Primary Examiner — Dominic Simone
(74) *Attorney, Agent, or Firm* — Banner & Witcoff, Ltd.

(56) **References Cited**
U.S. PATENT DOCUMENTS

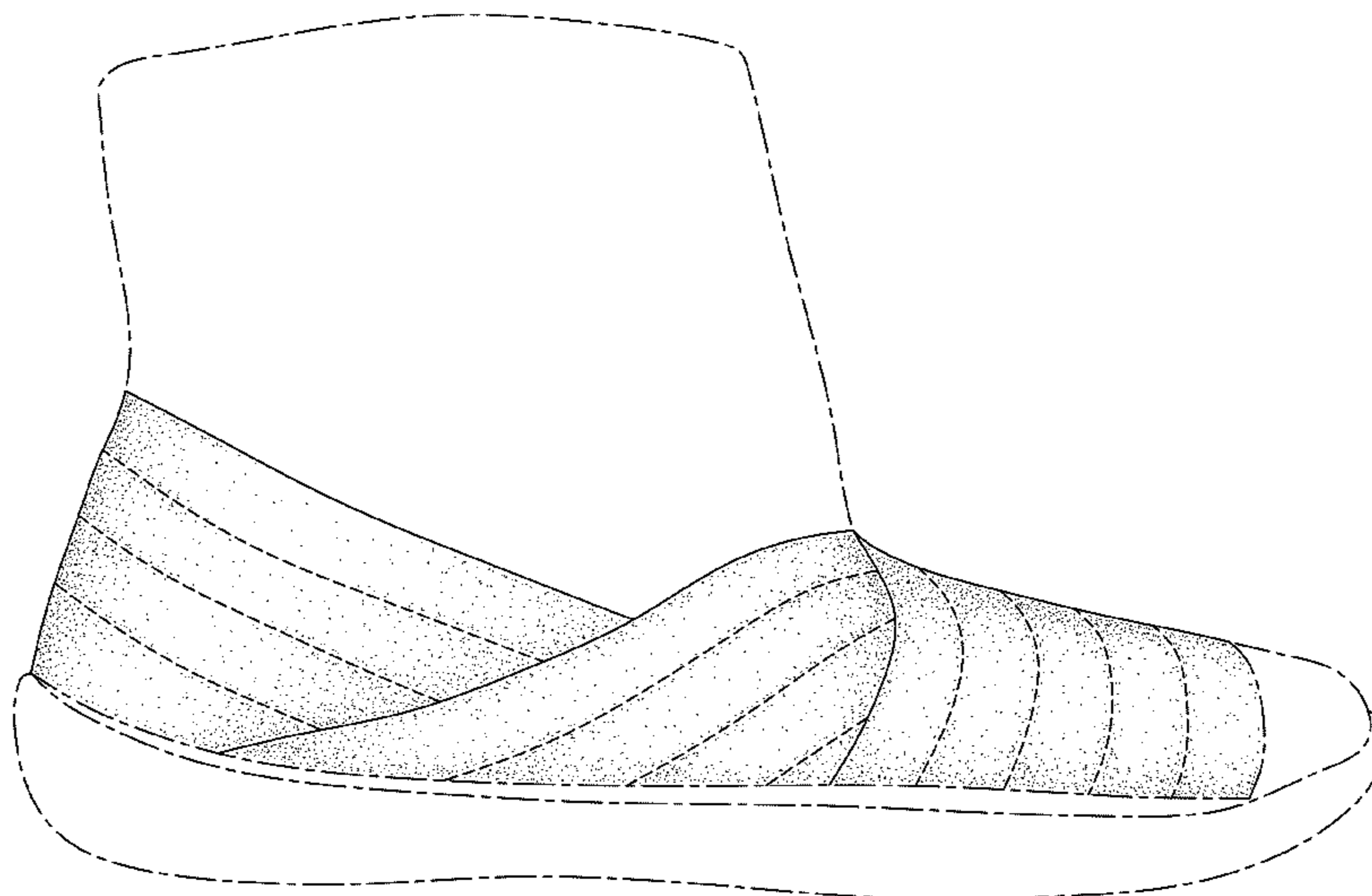
D97,613 S 11/1935 Mackey
D103,588 S * 3/1937 Perugia D2/910
D108,481 S * 2/1938 Parker D2/930
D119,324 S * 3/1940 Bernstein D2/927
D159,493 S 8/1950 Lauer
D254,398 S 3/1980 Finn
D291,020 S 7/1987 Gamm
D362,111 S 9/1995 Avar
D383,294 S 9/1997 Lozano
D407,547 S * 4/1999 Fogg D2/972
D475,518 S * 6/2003 Lotti D2/972
D485,430 S * 1/2004 McDowell D2/972
D495,867 S 9/2004 Avar
D498,909 S 11/2004 Patt
D498,912 S 11/2004 Kuerbis
D501,986 S * 2/2005 Lotti D2/972
D507,101 S 7/2005 Mayden
D508,765 S * 8/2005 Lotti D2/969

(57) **CLAIM**
The ornamental design for a shoe upper, as shown and described.

DESCRIPTION

FIG. 1 is a front perspective view of a shoe upper showing my new design;
FIG. 2 is a side view thereof; and,
FIG. 3 is a rear perspective view thereof.
The even-length broken lines within the shaded area represent stitching. The uneven-length broken lines immediately adjacent to the shaded area represent unclaimed boundaries of the design. The uneven-length broken lines showing the remainder of the shoe are for environmental purposes only and form no part of the claimed design.

1 Claim, 3 Drawing Sheets



(56)

References Cited

OTHER PUBLICATIONS

Nike Footwear Catalog, 1994 Fall Footwear, p. 76, published Nov. 1993, NIKE, Inc., USA.
Nike Footwear Catalog, 1996 Fall Footwear, p. 26, published Dec. 1995, NIKE, Inc., USA.
Nike Footwear Catalog, 1996 Holiday Footwear, p. 51, published Mar. 1996, NIKE, Inc., USA.
Nike Footwear Catalog, 1997 Fall Footwear, p. 92, published Dec. 1996, NIKE, Inc., USA.
Nike Footwear Catalog, 1997 Holiday Footwear, p. 205, published Mar. 1997, NIKE, Inc., USA.

Nike Footwear Catalog, 1997 Spring Footwear, p. 183, published Jun. 1996, NIKE, Inc., USA.
Nike Footwear Catalog, 2003 Fall Footwear, p. 81, published Jun. 2001, NIKE, Inc., USA.
Nike Footwear Catalog, 2004 Spring Footwear, p. 42, published Sep. 2003, NIKE, Inc., USA.
Nike Footwear Catalog, 2004 Spring Footwear, p. 49, published Sep. 2003, NIKE, Inc., USA.
Nike Footwear Catalog, 2007 Fall Footwear, p. 68, published Nov. 2006, NIKE, Inc., USA.

* cited by examiner

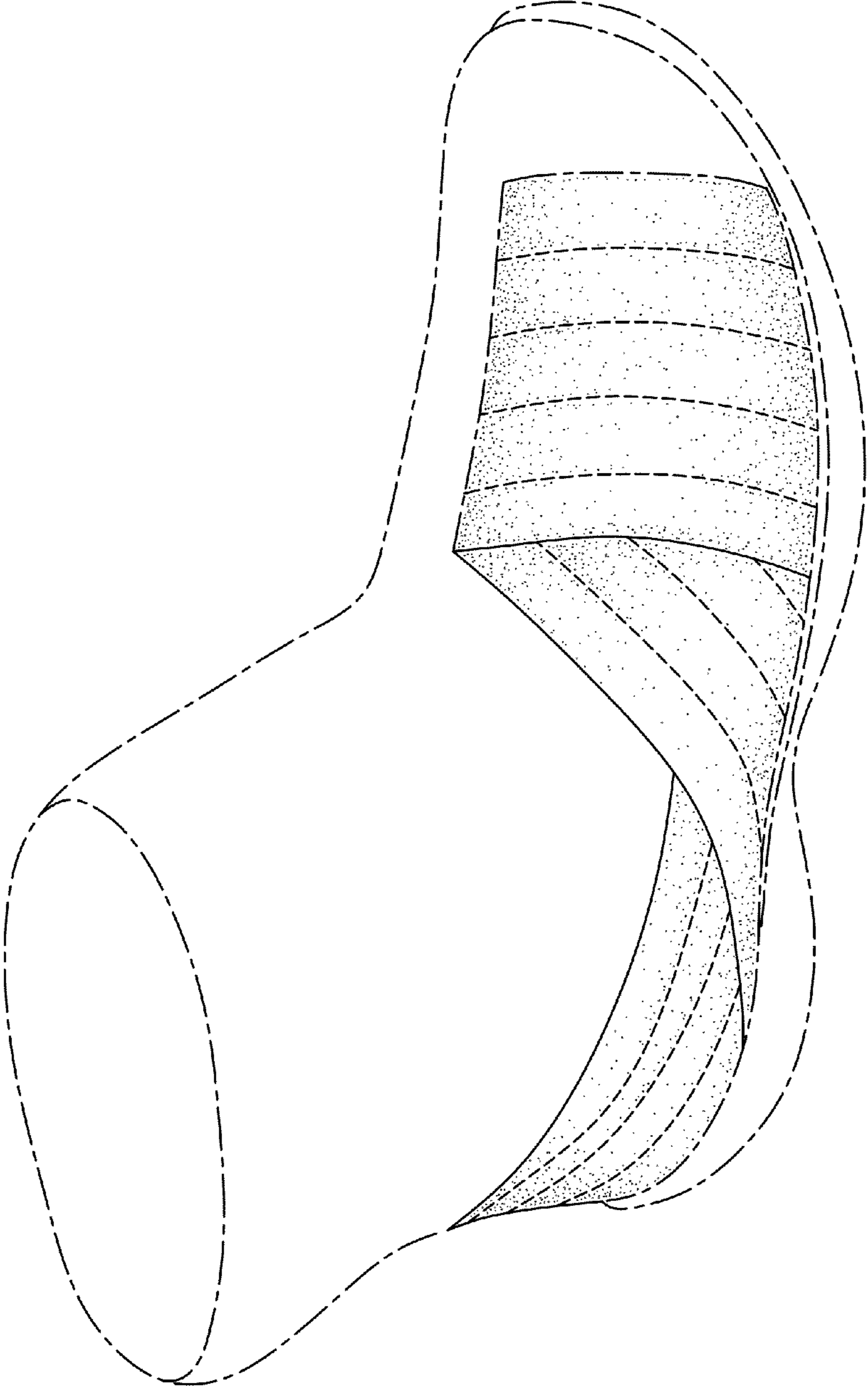


FIG. 1

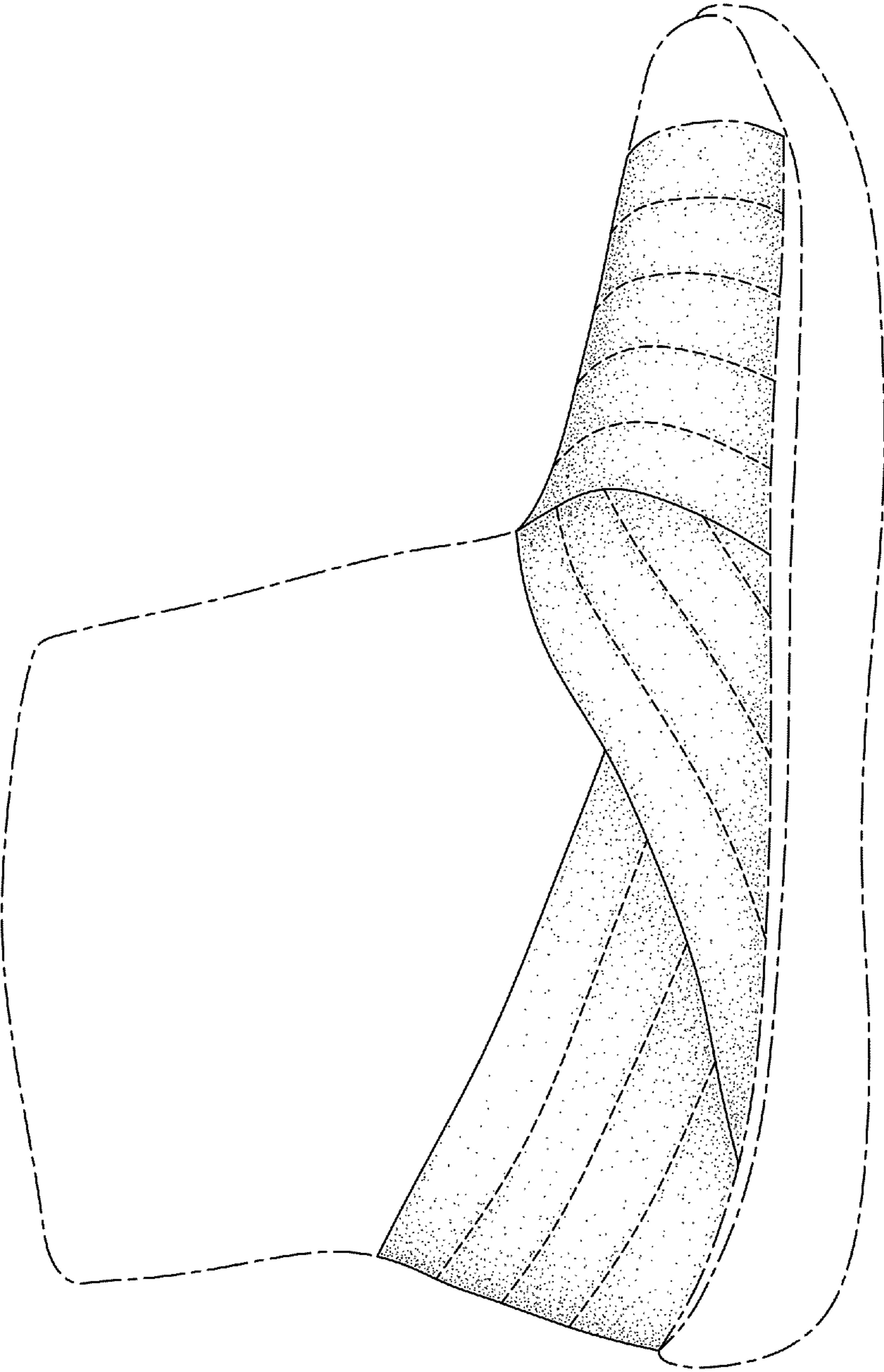


FIG.2

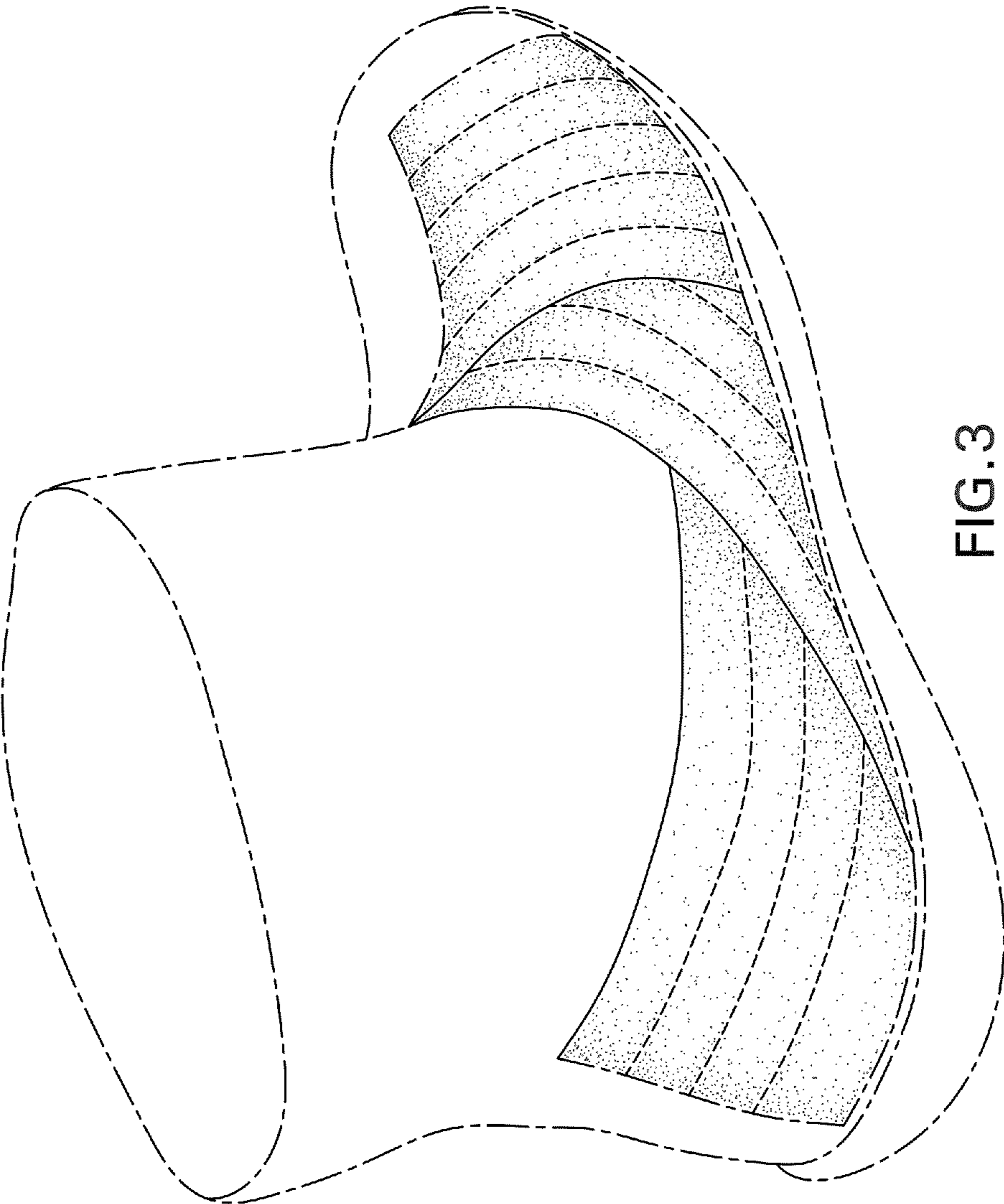


FIG. 3