



US00D715014S

(12) **United States Design Patent**
Schwake

(10) **Patent No.:** **US D715,014 S**
(45) **Date of Patent:** **** Oct. 7, 2014**

- (54) **PALLET COVER**
- (71) Applicant: **Ryan R. Schwake**, Sarasota, FL (US)
- (72) Inventor: **Ryan R. Schwake**, Sarasota, FL (US)
- (73) Assignee: **Pallet Hats, LLC**, Sarasota, FL (US)
- (**) Term: **14 Years**
- (21) Appl. No.: **29/466,001**
- (22) Filed: **Sep. 3, 2013**
- (51) **LOC (10) Cl.** **09-08**
- (52) **U.S. Cl.**
USPC **D34/38**
- (58) **Field of Classification Search**
CPC B65D 2519/00288; B65D 2519/00024;
B65D 2519/00323; B65D 2519/00059; B65D
2519/00333; B65D 2519/00293; B65D
2519/00273; B65D 2519/00572
USPC D34/38; D3/304, 273; 206/596, 524.8,
206/599, 600; 108/51.11, 53.3, 54.1, 55.3,
108/56.1, 57.29, 901, 902
See application file for complete search history.

D356,680 S	3/1995	Edgerton, Jr. et al.	
5,419,448 A	5/1995	Watson	
5,501,334 A	3/1996	Przytulla et al.	
D422,770 S	4/2000	Schmitt	
6,101,955 A	8/2000	Salce	
D466,300 S	12/2002	Walsh	
6,598,540 B2	7/2003	Austin et al.	
6,675,723 B2	1/2004	Sukeva	
D532,179 S	11/2006	Guidroz	
D548,924 S *	8/2007	Frankenberg D34/38
D609,425 S	2/2010	Svedberg	
7,766,590 B2	8/2010	Mapitigama	
D623,874 S	9/2010	Jones	
8,235,217 B2	8/2012	Stolzman	
8,256,615 B2	9/2012	Goda	
8,434,618 B2	5/2013	Mitchell et al.	
2002/0112979 A1	8/2002	Maschio	
2006/0182620 A1	8/2006	Guidroz et al.	
2007/0158224 A1	7/2007	Bringard et al.	
2009/0238501 A1	9/2009	Minkler	
2011/0132801 A1 *	6/2011	Elder 206/600
2011/0226649 A1	9/2011	Dye et al.	
2013/0221003 A1 *	8/2013	Carver et al. 220/200

* cited by examiner

Primary Examiner — Cynthia Ramirez
(74) *Attorney, Agent, or Firm* — Frijouf, Rust & Pyle, P.A.

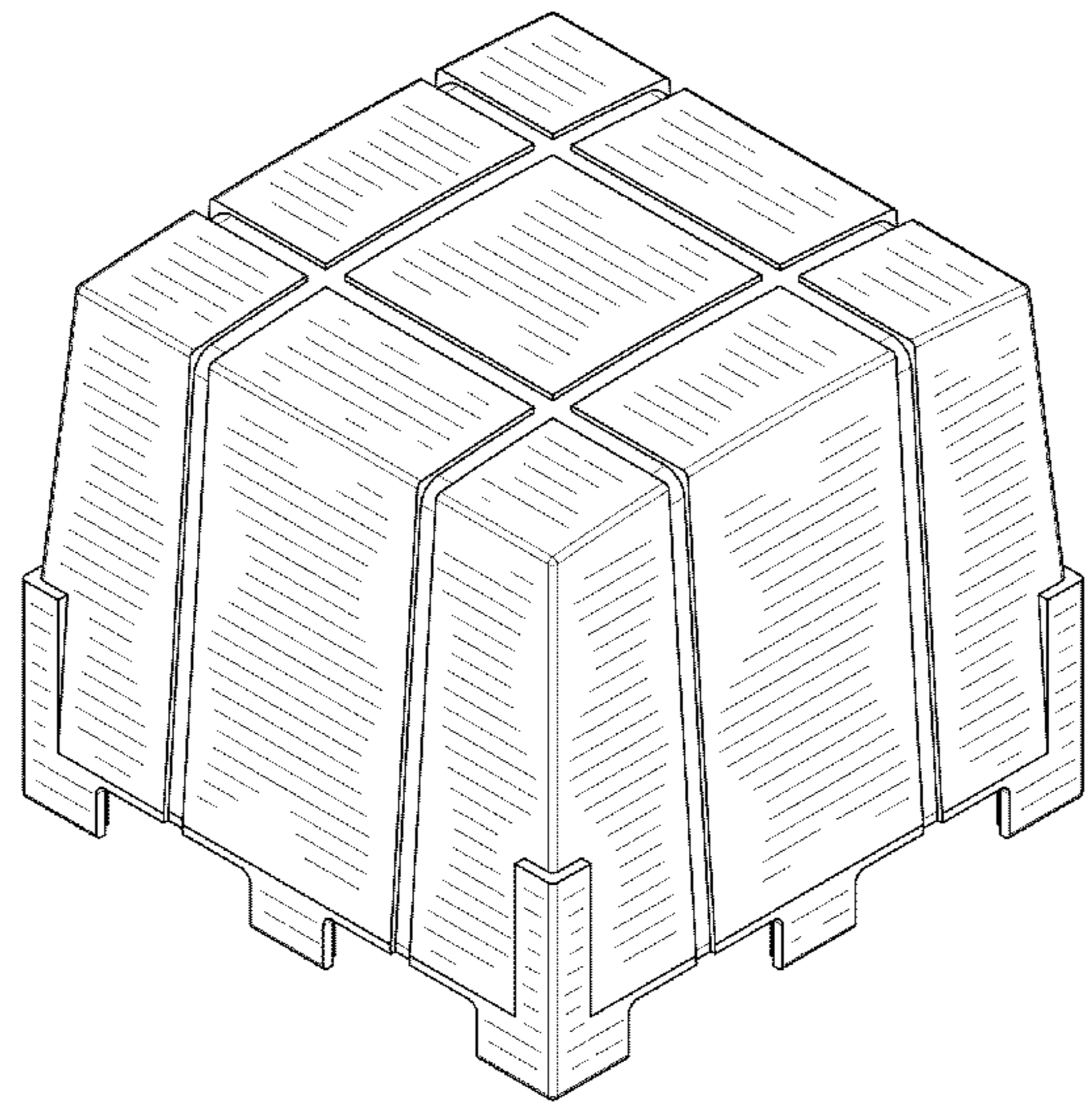
(57) **CLAIM**
The ornamental design for a pallet cover, as shown and described.

- (56) **References Cited**
U.S. PATENT DOCUMENTS
- 2,908,122 A 10/1959 Allen
- 3,557,855 A 1/1971 Weingarten
- 3,670,880 A 6/1972 Burleson et al.
- 3,779,369 A 12/1973 Lang
- 4,022,321 A 5/1977 Barnett
- 4,375,265 A 3/1983 Wetering et al.
- 4,867,314 A * 9/1989 Clements 206/524.8
- 4,871,063 A 10/1989 Kumbler
- 4,909,387 A 3/1990 Schutz
- 4,936,451 A * 6/1990 Shuert 206/386
- 4,947,988 A 8/1990 Schutz
- 4,989,731 A 2/1991 Shuert
- 5,035,323 A 7/1991 Daniels et al.
- 5,366,090 A 11/1994 Schutz

DESCRIPTION

FIG. 1 is an upper front perspective view of my new design for a pallet cover;
FIG. 2 is a lower front perspective view of FIG. 1;
FIG. 3 is a front view of FIG. 1;
FIG. 4 is a rear view of FIG. 1;
FIG. 5 is a top view of FIG. 1;
FIG. 6 is a bottom view of FIG. 1;
FIG. 7 is a left side view of FIG. 1; and,
FIG. 8 is a right side view of FIG. 1.

1 Claim, 4 Drawing Sheets



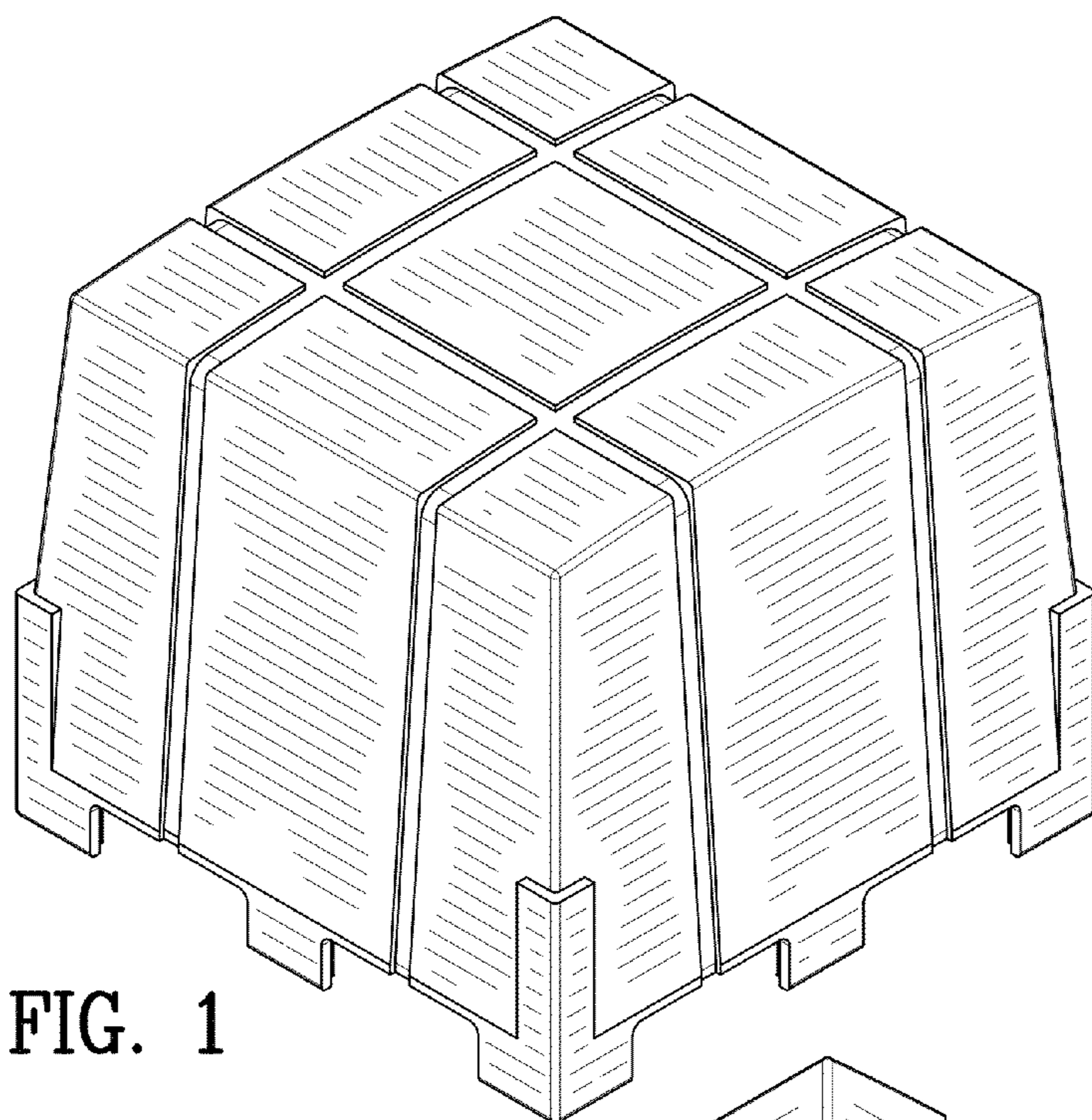


FIG. 1

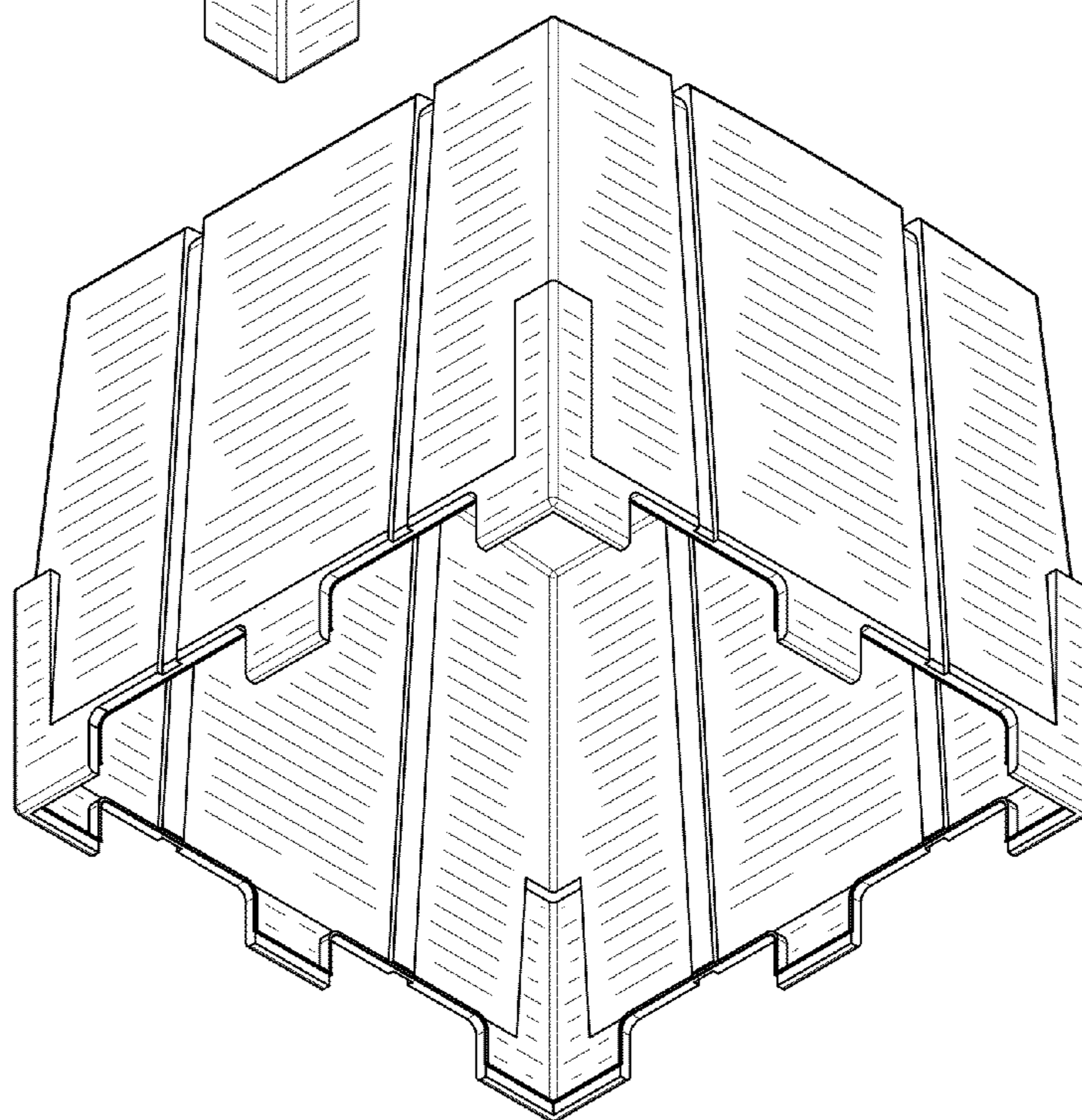


FIG. 2

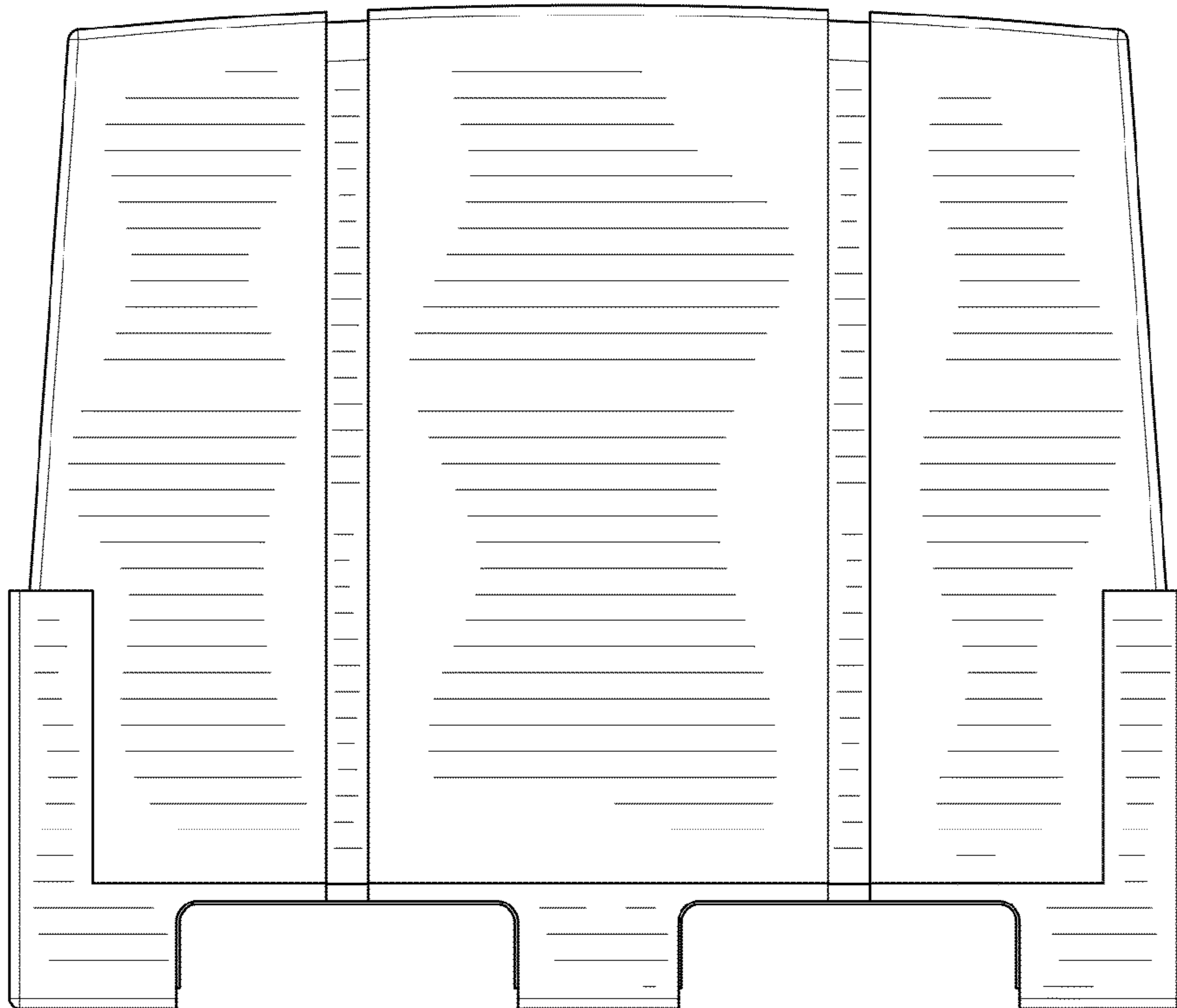


FIG. 3

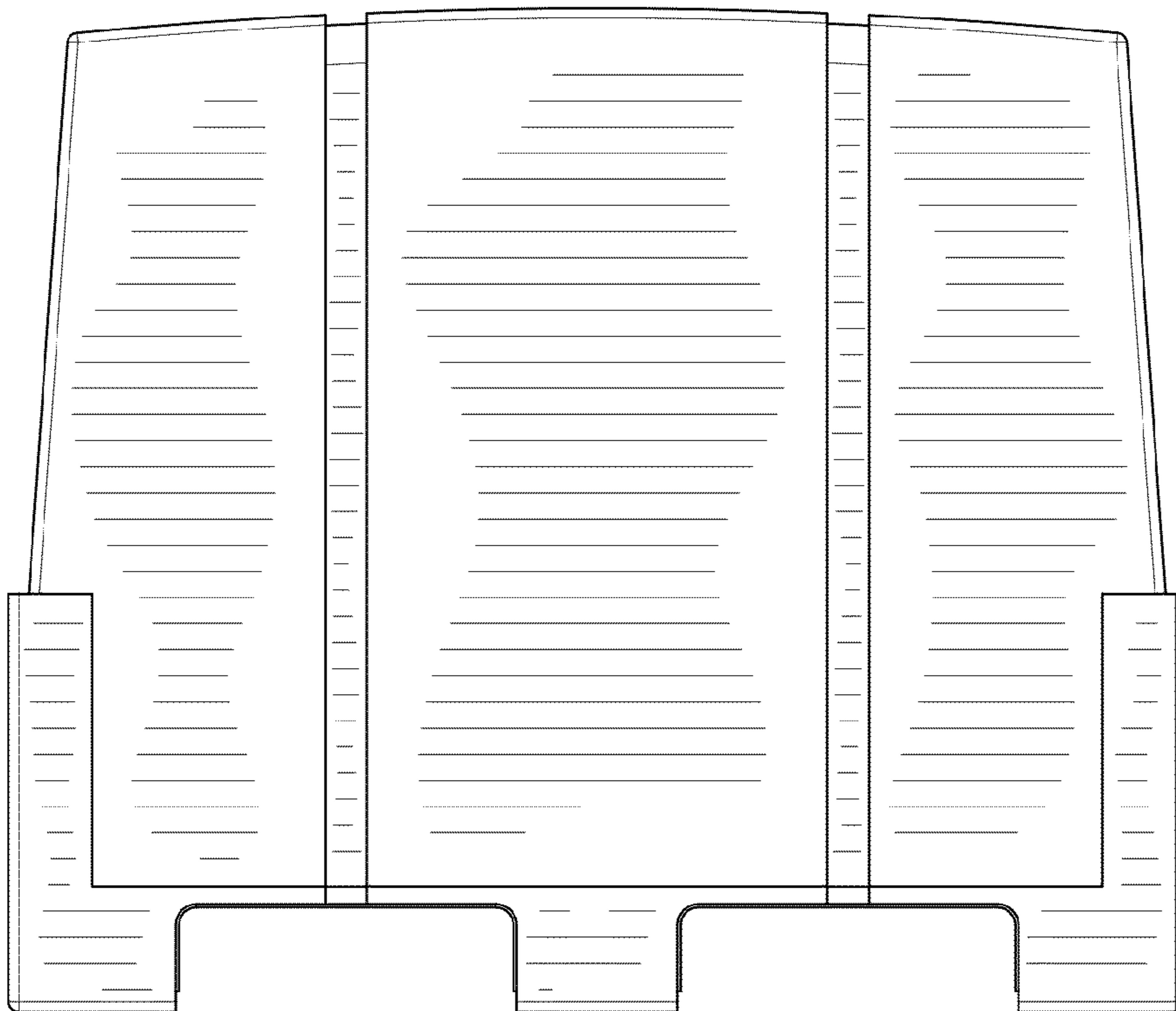


FIG. 4

FIG. 5

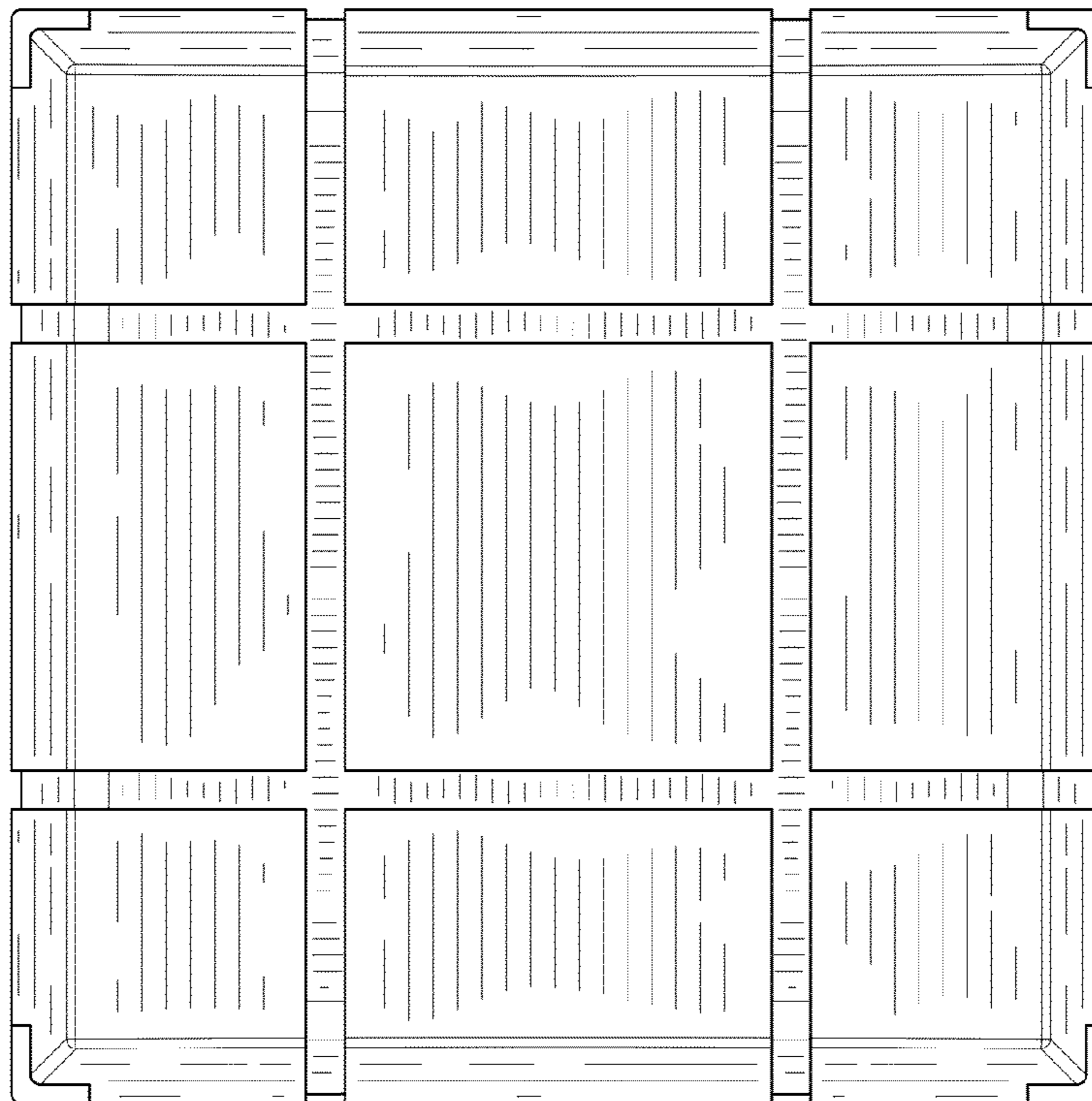
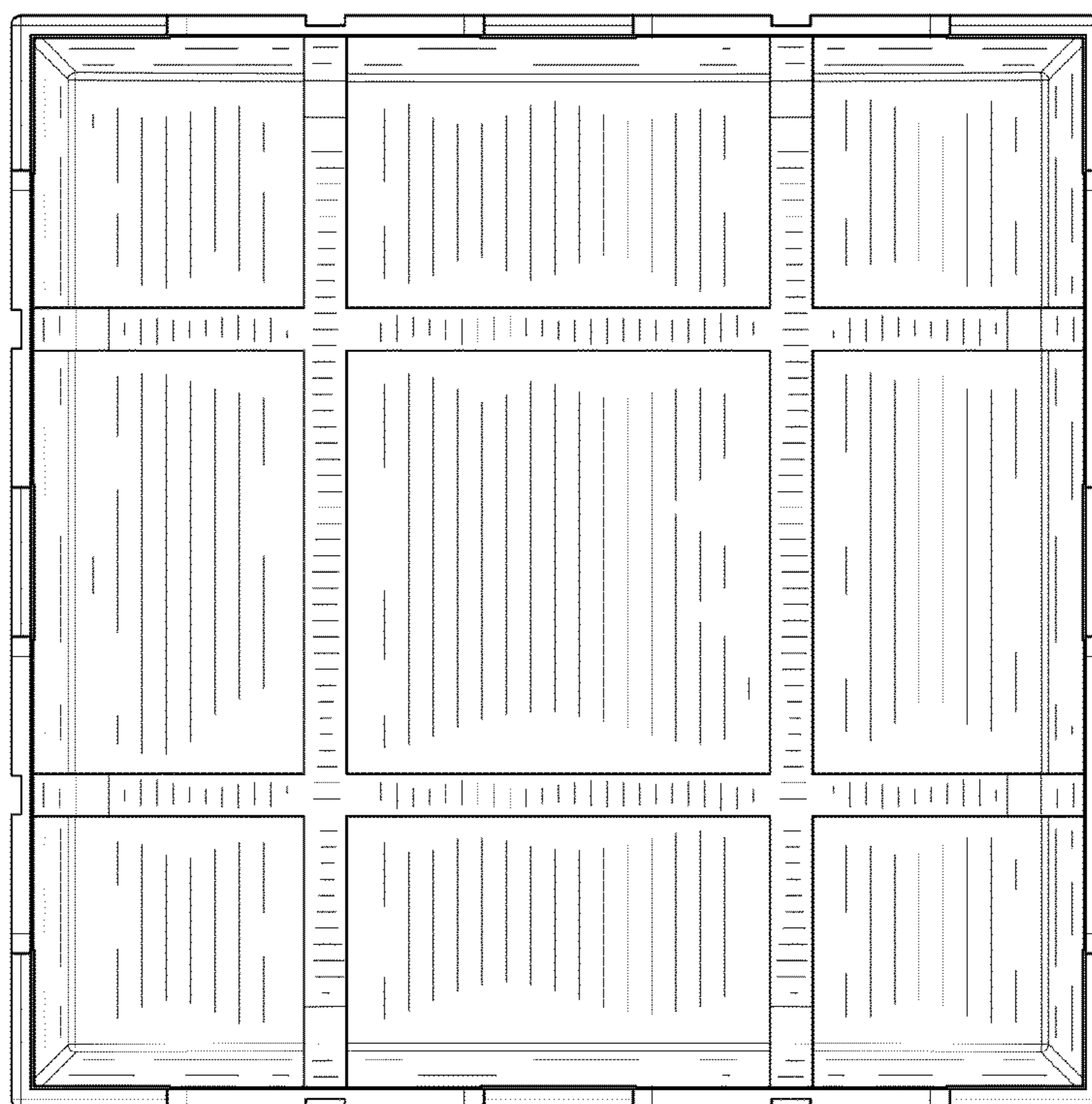


FIG. 6



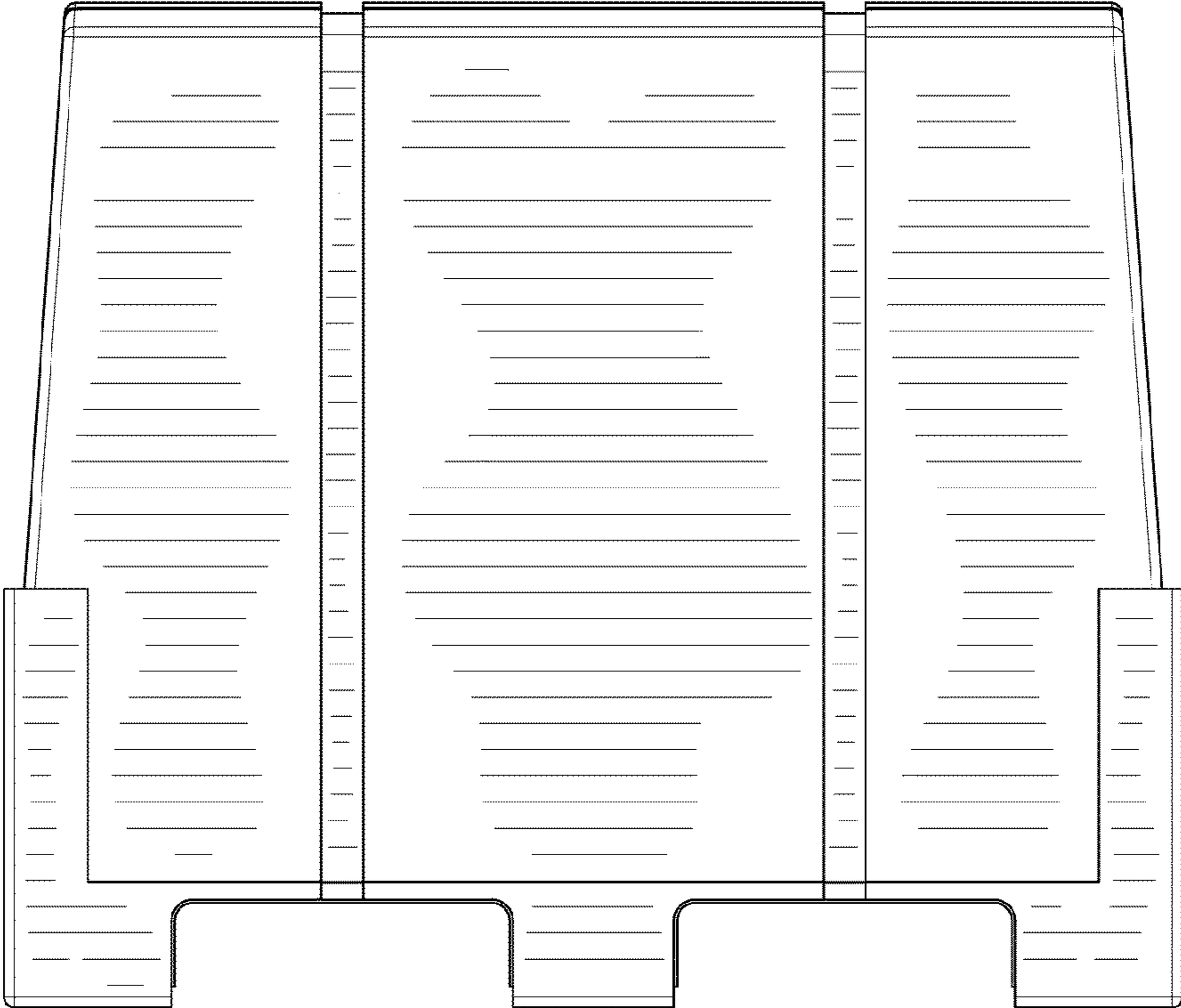


FIG. 7

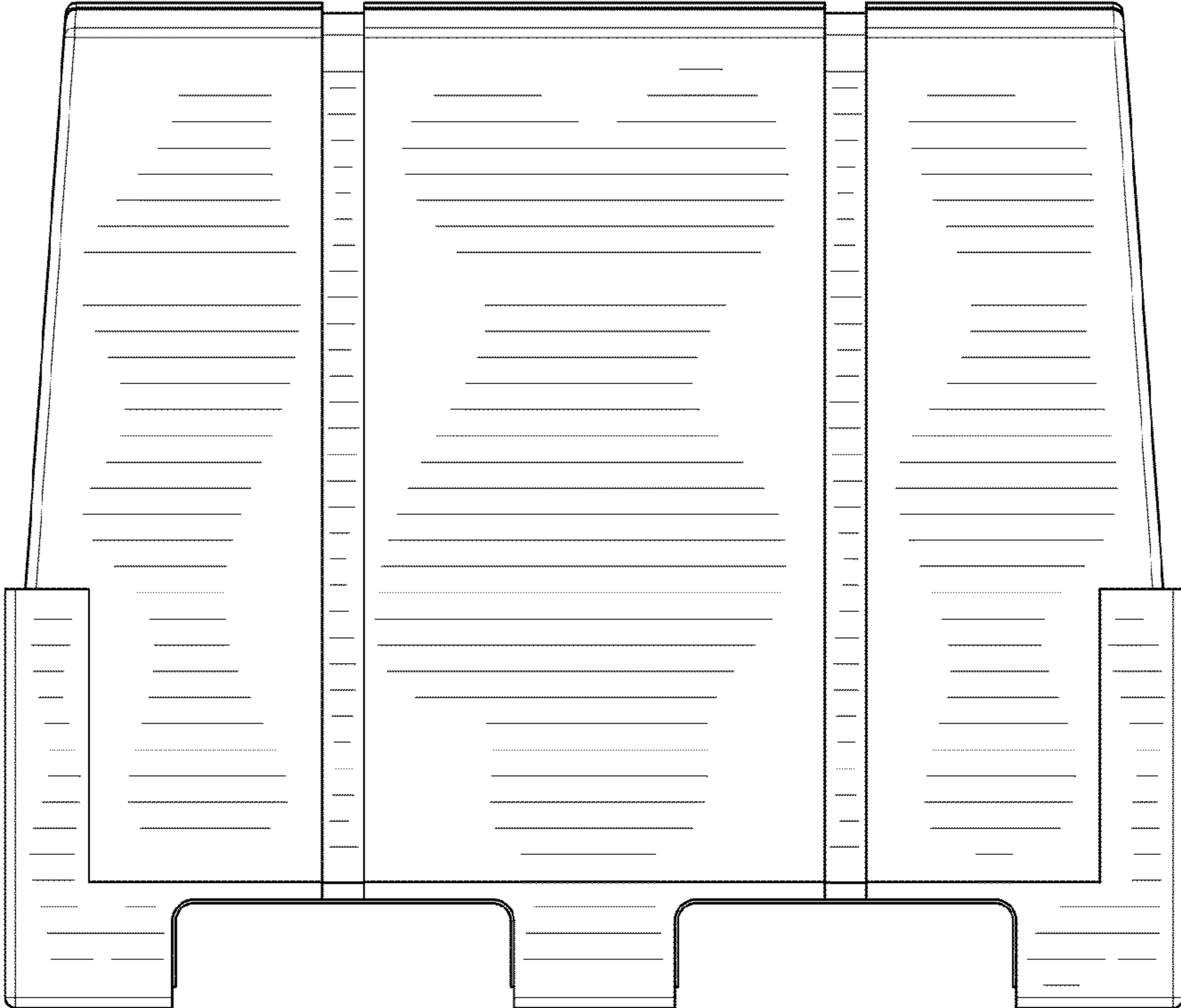


FIG. 8