



US00D715013S

(12) **United States Design Patent**
Allen

(10) **Patent No.:** **US D715,013 S**
(45) **Date of Patent:** **** Oct. 7, 2014**

(54) **SHEET RACK CART PANEL**

(71) Applicant: **Prairie View Industries, Inc.**, Fairbury, NE (US)

(72) Inventor: **Richard Allen**, Fairbury, NE (US)

(73) Assignee: **Prairie View Industries, Inc.**, Fairbury, NE (US)

(**) Term: **14 Years**

(21) Appl. No.: **29/439,015**

(22) Filed: **Dec. 5, 2012**

(51) **LOC (10) Cl.** **12-02**

(52) **U.S. Cl.**
USPC **D34/27**

(58) **Field of Classification Search**
USPC D34/12-27; D6/627, 628, 629, 630, D6/407; 211/96, 11, 13.1, 134, 135, 153, 211/175, 133.1, 126.1, 190; 280/33.992, 280/33.998, 35, 79.3

See application file for complete search history.

(56) **References Cited**

U.S. PATENT DOCUMENTS

3,534,863	A *	10/1970	Howard	211/47
D279,057	S *	6/1985	Bolduc	D6/399
D300,700	S *	4/1989	Thyselius	D6/409
D352,187	S *	11/1994	David	D6/407
D358,522	S *	5/1995	Weisburn et al.	D6/629
D364,074	S *	11/1995	Yeh	D7/637
D366,749	S *	1/1996	Carlson et al.	D34/27
D366,750	S *	1/1996	Daugherty	D34/27
D384,234	S *	9/1997	Dardashti	D6/629
D387,226	S *	12/1997	Dardashti	D6/465
D392,147	S *	3/1998	Gervais et al.	D6/630
D416,157	S *	11/1999	Akins	D6/566
5,984,115	A *	11/1999	Koestenblatt et al.	211/40

(Continued)

Primary Examiner — Cynthia Ramirez

(74) *Attorney, Agent, or Firm* — Stinson Leonard Street LLP

(57) **CLAIM**

The ornamental design for a sheet rack cart panel, as shown and described.

DESCRIPTION

FIG. 1 is a front perspective view of the sheet rack cart panel; FIG. 2 is a right side elevational view of the sheet rack cart panel of FIG. 1;

FIG. 3 is a left side elevational view of the sheet rack cart panel of FIG. 1;

FIG. 4 is a front elevational view of the sheet rack cart panel of FIG. 1;

FIG. 5 is a rear elevational view of the sheet rack cart panel of FIG. 1;

FIG. 6 is a top plan view of the sheet rack cart panel of FIG. 1;

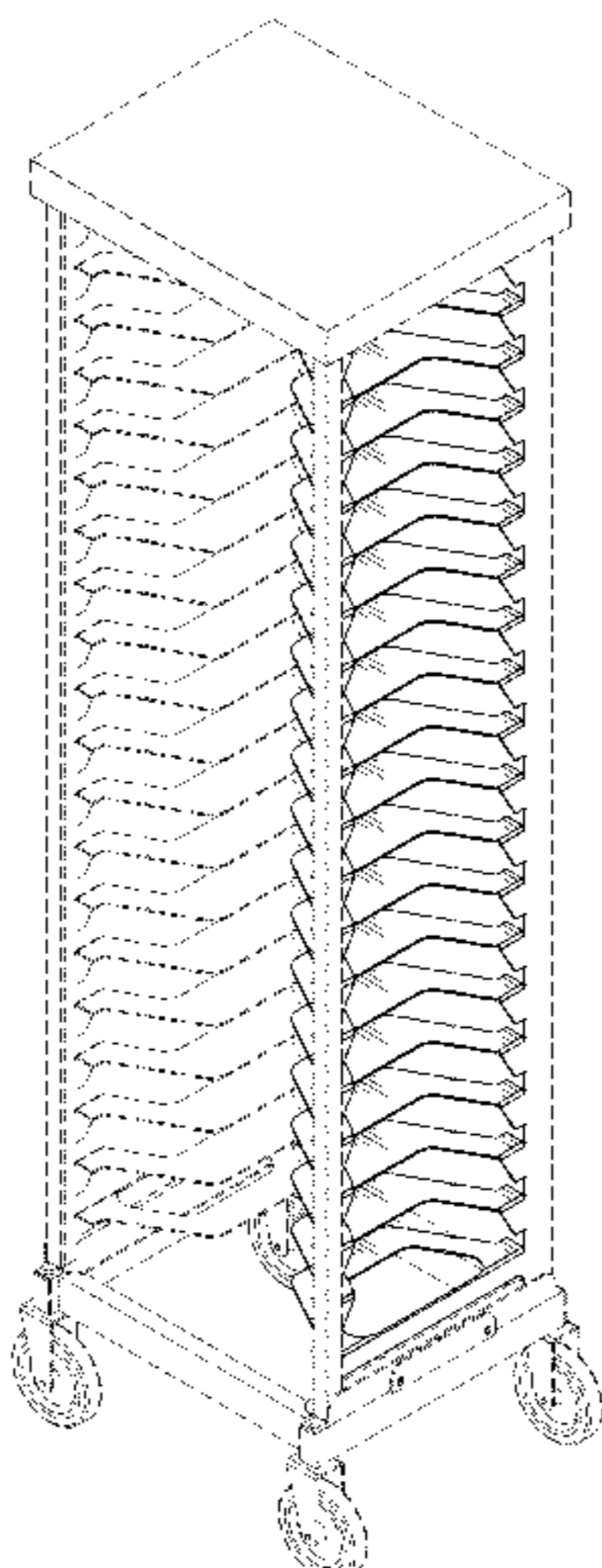
FIG. 7 is a bottom plan view of the sheet rack cart panel of FIG. 1;

FIG. 8 is a front perspective view of a second embodiment of the sheet rack cart panel shown in FIG. 1, the only difference being the unclaimed features of the cart within which the sheet rack cart panel is mounted and the number and spacing of rows in the sheet rack cart panel, it being understood that all other surfaces are the same as those of the first embodiment shown in FIGS. 1-7; and,

FIG. 9 is a front perspective view of a third embodiment of the sheet rack cart panel shown in FIG. 1, the only difference being the unclaimed features of the cart within which the sheet rack cart panel is mounted, and the orientation and number and spacing of rows in the sheet rack cart panel, it being understood that all other surfaces are the same as those of the first embodiment shown in FIGS. 1-7.

The broken lines shown in the drawings are included for the purpose of illustrating environment and form no part of the claimed design.

1 Claim, 6 Drawing Sheets



US D715,013 S

Page 2

(56)

References Cited

U.S. PATENT DOCUMENTS

D427,475 S * 7/2000 Hwang D6/630
D438,048 S * 2/2001 Pozzoli et al. D6/629
D464,841 S * 10/2002 Chow et al. D6/630

D488,018 S * 4/2004 Chow et al. D6/630
6,736,279 B2 5/2004 Allen
D502,220 S * 2/2005 Stravitz D19/90
D639,010 S 5/2011 Barnts et al.

* cited by examiner

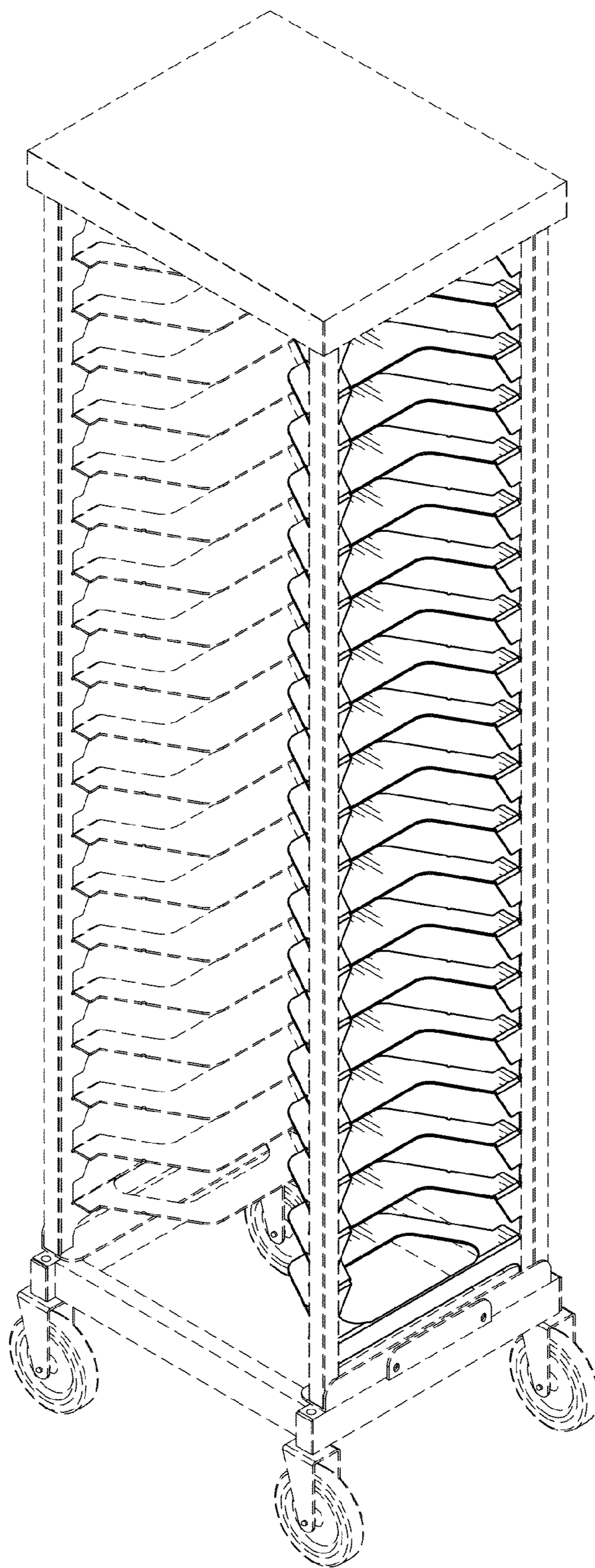


FIG. 1

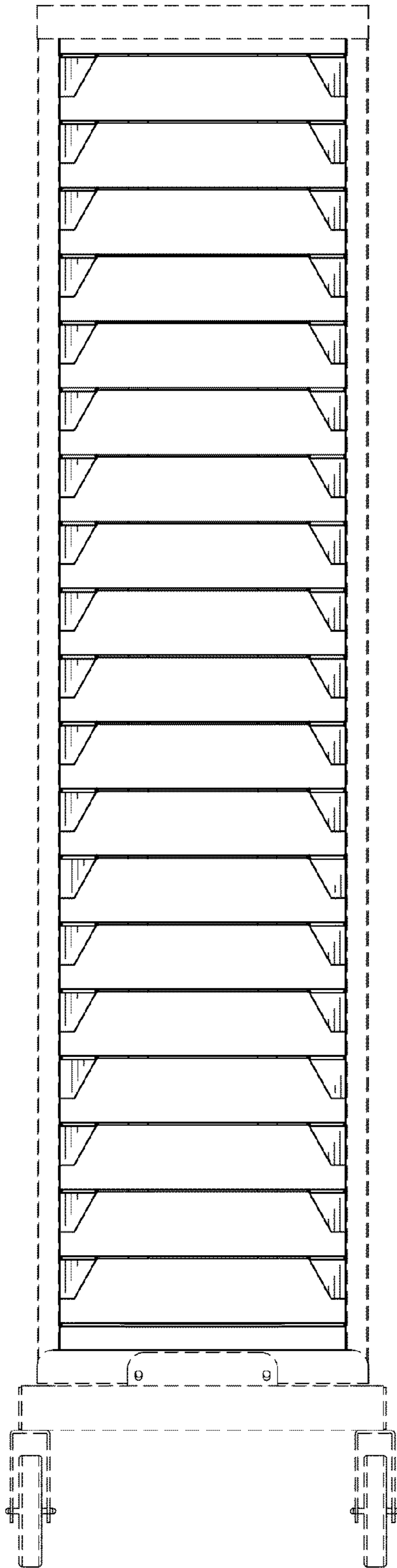


FIG. 2

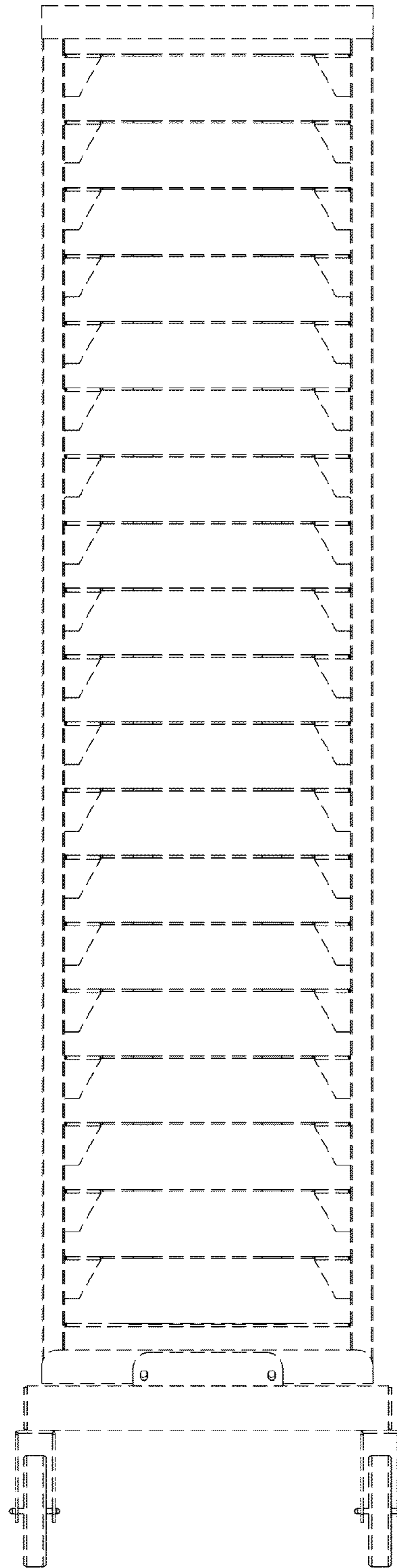


FIG. 3

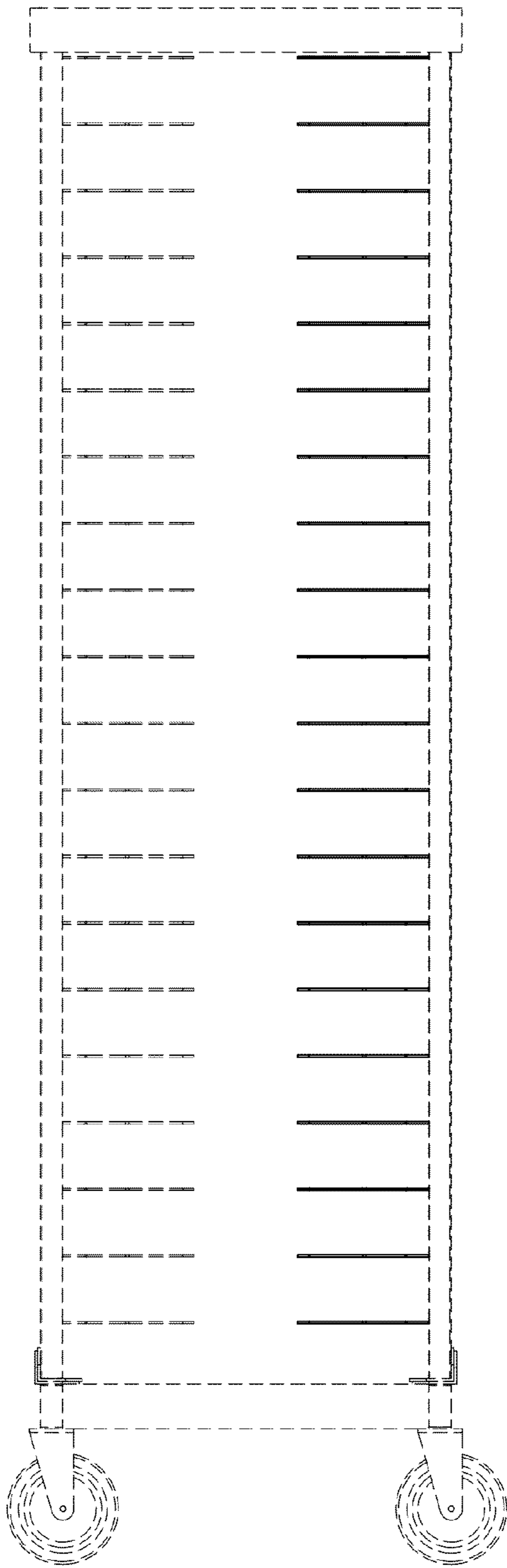


FIG. 4

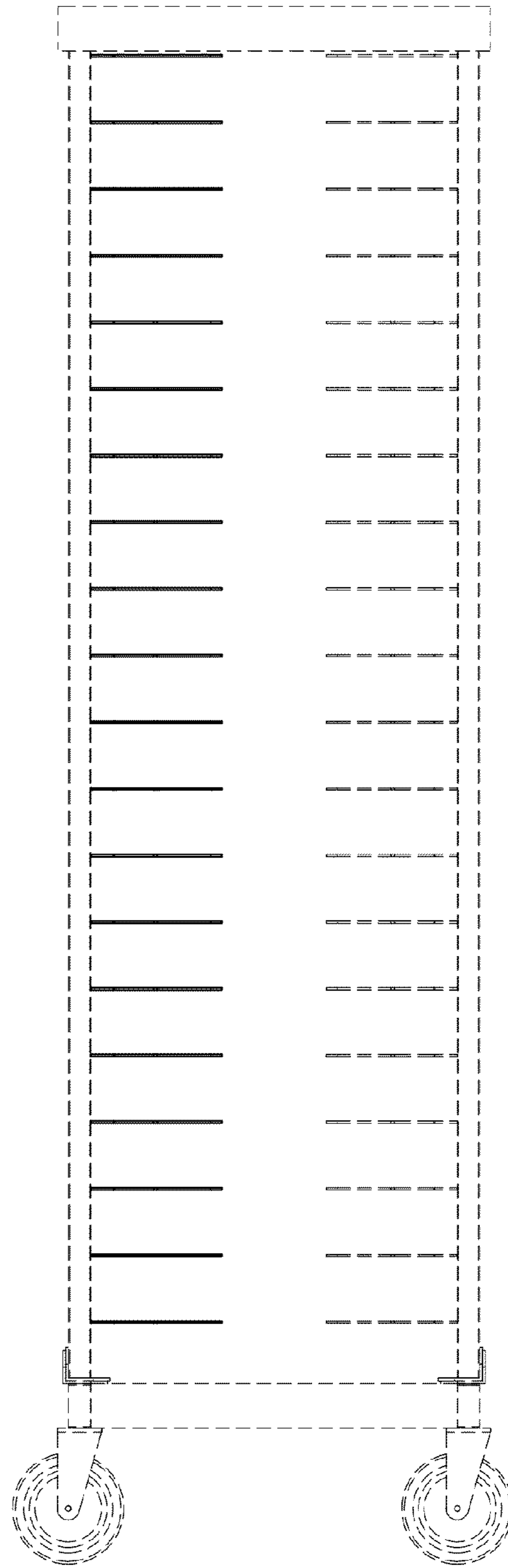


FIG. 5

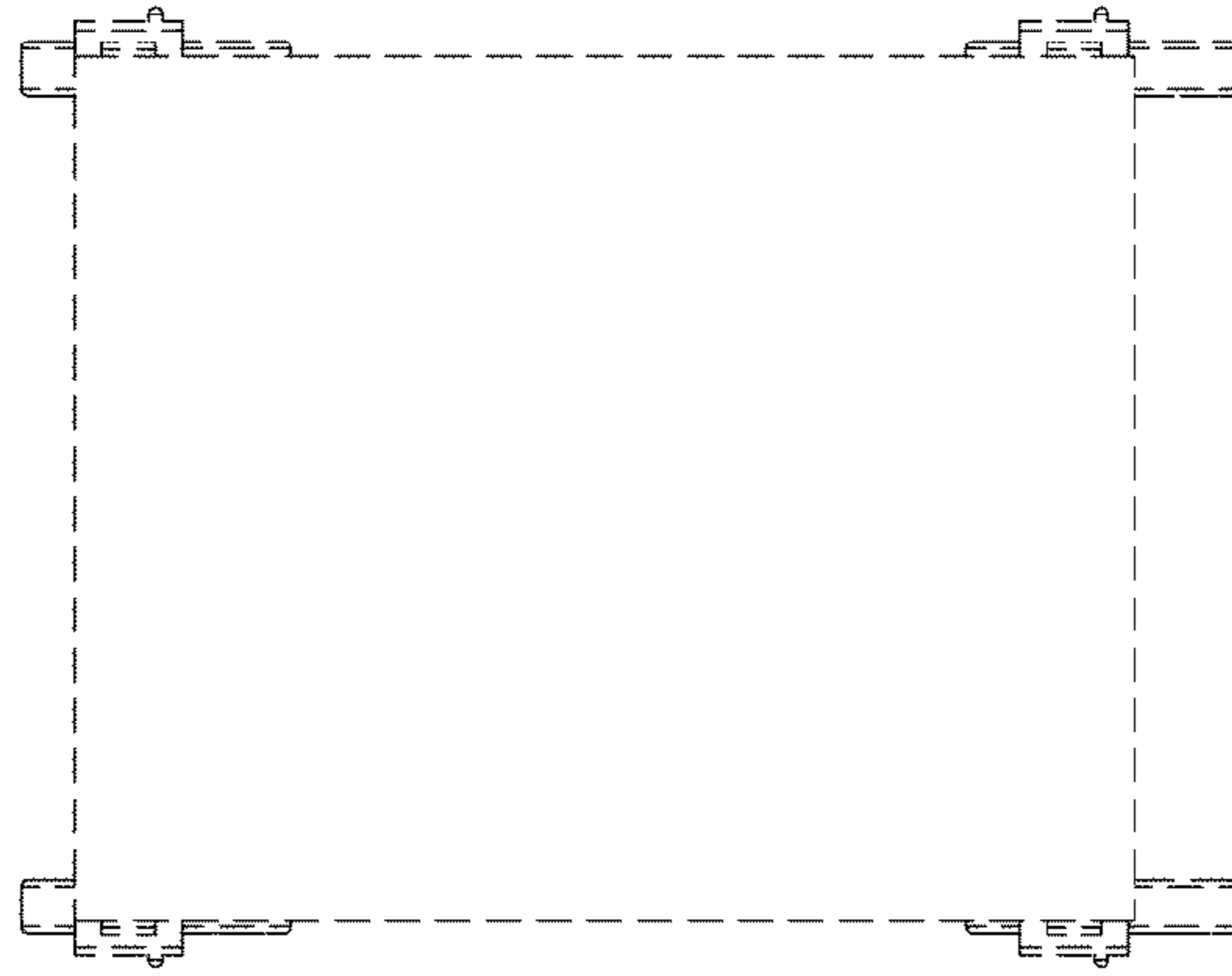


FIG. 6

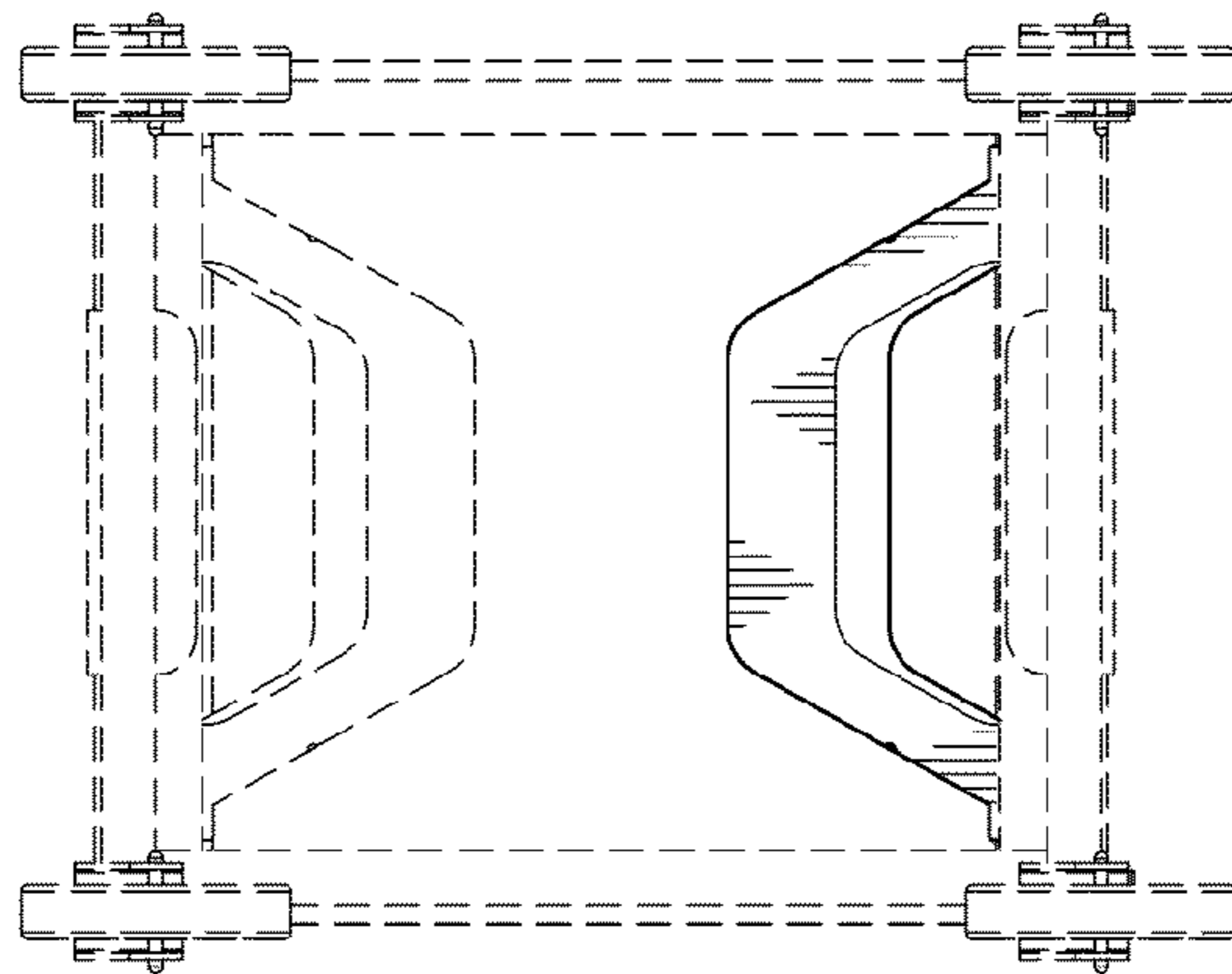


FIG. 7

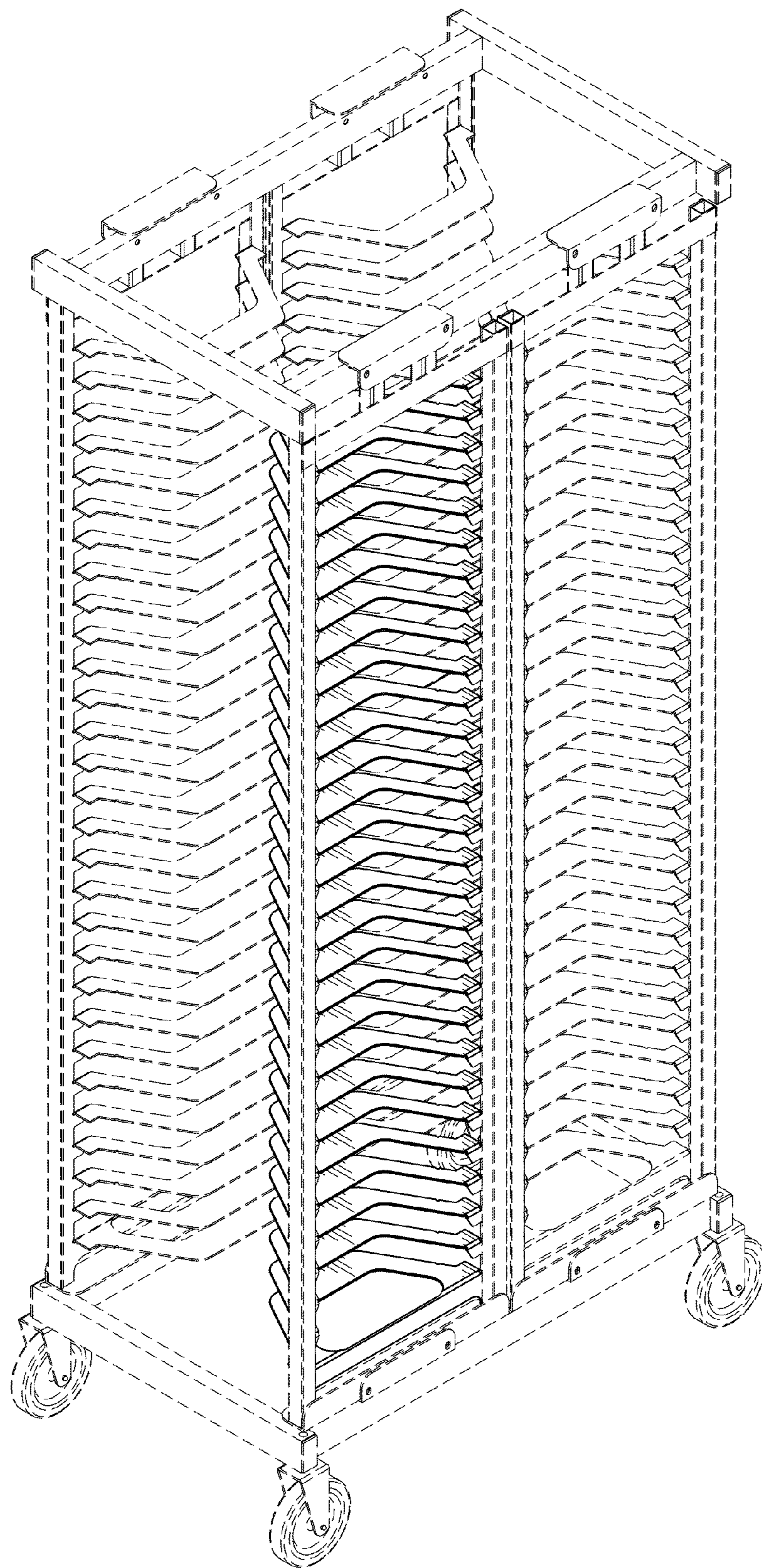


FIG. 8

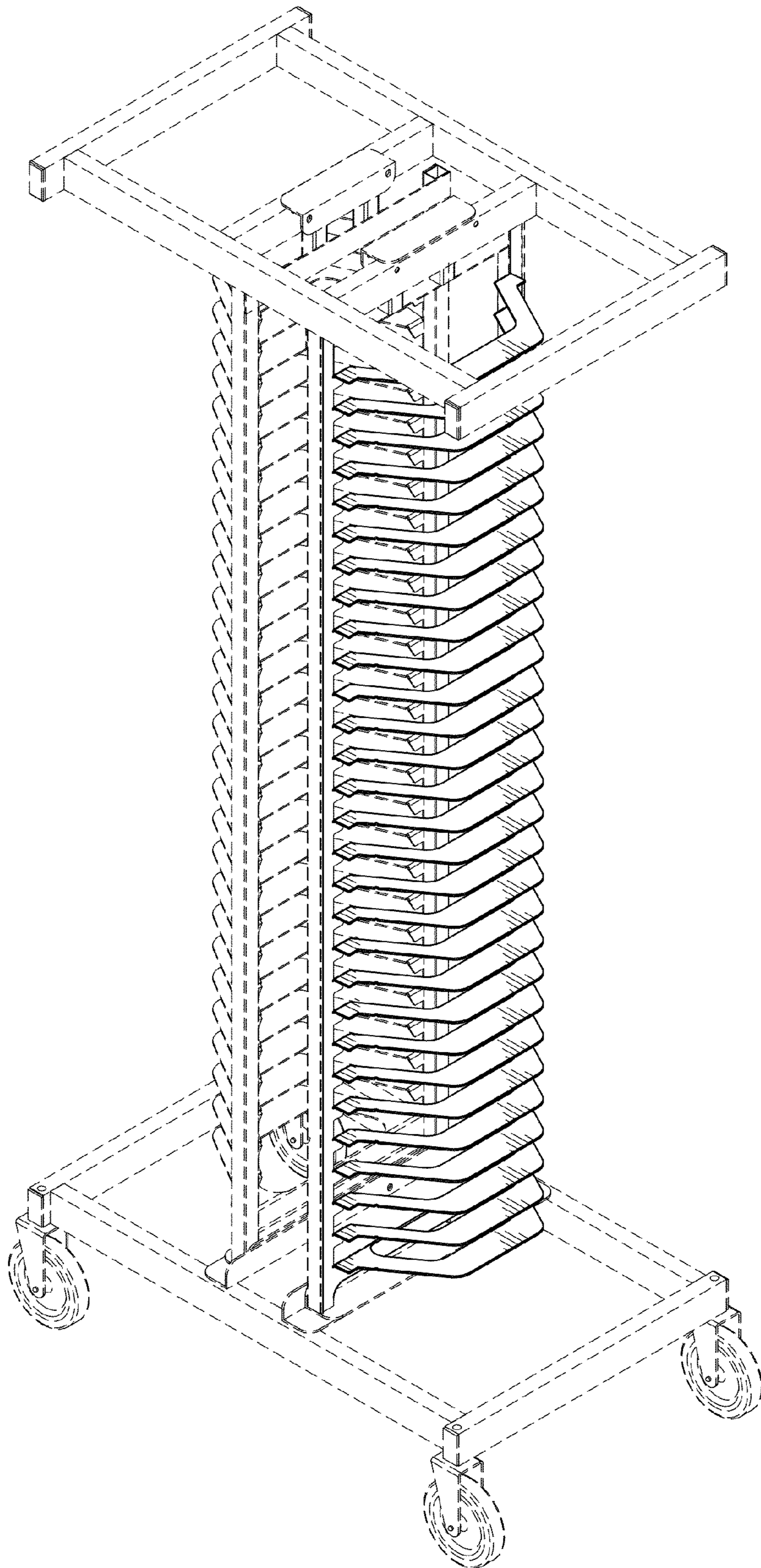


FIG. 9