



US00D715008S

(12) **United States Design Patent**
Alveby

(10) **Patent No.:** **US D715,008 S**

(45) **Date of Patent:** **** Oct. 7, 2014**

- (54) **TEAT CUP LINER**
- (71) Applicant: **DeLaval Holding AB**, Tumba (SE)
- (72) Inventor: **Nils Alveby**, Bandhagen (SE)
- (73) Assignee: **DeLaval Holding AB**, Tumba (SE)
- (**) Term: **14 Years**
- (21) Appl. No.: **29/433,554**
- (22) Filed: **Oct. 1, 2012**
- (51) **LOC (10) Cl.** **30-99**
- (52) **U.S. Cl.**
USPC **D30/199**
- (58) **Field of Classification Search**
CPC A01J 5/00; A01J 5/02; A01J 5/04;
A01J 5/06; A01J 5/08; A01J 5/16; A01J
7/025
USPC D30/199; 119/14.01, 14.02, 14.23,
119/14.38, 14.43, 14.47–14.54
See application file for complete search history.

- 5,482,004 A * 1/1996 Chowdhury 119/14.52
- 5,967,082 A * 10/1999 Petterson et al. 119/14.47
- 6,039,001 A * 3/2000 Sanford 119/14.47
- 6,058,879 A * 5/2000 Miefalk 119/14.47
- 6,164,243 A * 12/2000 Larson 119/14.49
- D489,866 S * 5/2004 Brown D1/199

(Continued)

OTHER PUBLICATIONS

Catalogue “Maes Inflatons”, “Designed by Specialists for Exceptional Performance”, distributed by Coburn Company, Whitewater, Wisconsin, USA, 2009, p. 8.

(Continued)

Primary Examiner — Martie K Holtje

(74) *Attorney, Agent, or Firm* — Young & Thompson

(57) **CLAIM**

The ornamental design for a teat cup liner, as shown and described.

DESCRIPTION

FIG. 1 is a top perspective view of a teat cup liner showing the new design;

FIG. 2 is a bottom perspective view thereof;

FIG. 3 is a side elevation view thereof showing the location of the cross section of FIG. 9;

FIG. 4 is an opposite side view thereof;

FIG. 5 is a front elevation view thereof;

FIG. 6 is a rear elevation view thereof;

FIG. 7 is a top plan view thereof;

FIG. 8 is a bottom plan view thereof; and,

FIG. 9 is a cross sectional view thereof at the location indicated in FIG. 3.

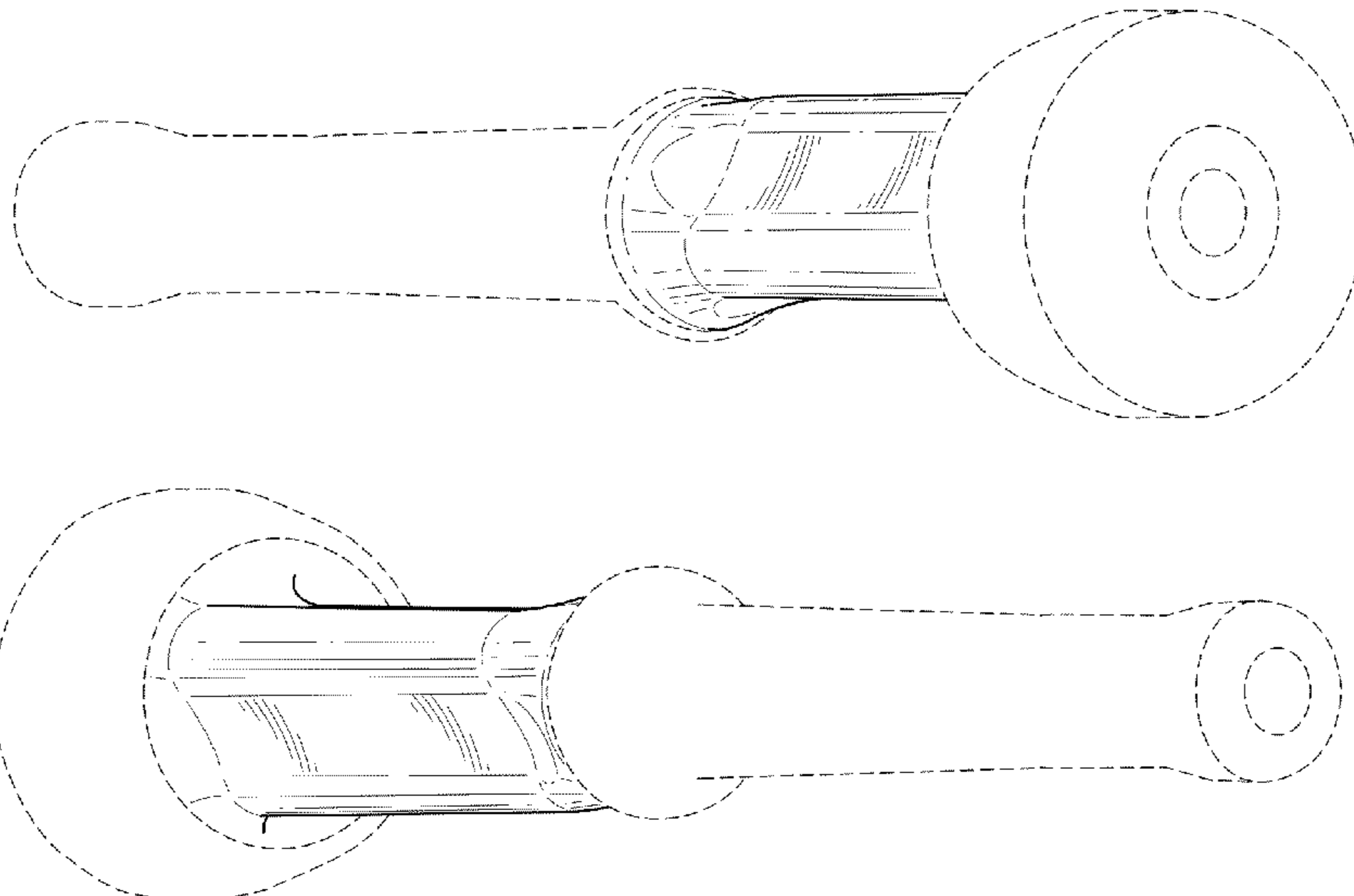
The structural features depicted by broken lines in the drawing figures have been shown for the purpose of illustrating portions of the teat cup liner that form no part of the claimed design.

1 Claim, 3 Drawing Sheets

(56) **References Cited**

U.S. PATENT DOCUMENTS

- 1,705,292 A * 3/1929 Horthy et al. 119/14.47
- 2,092,605 A * 9/1937 Hodsdon 119/14.53
- 2,502,362 A * 3/1950 Babson et al. 119/14.52
- 2,565,721 A * 8/1951 Conde 119/14.52
- 2,574,063 A * 11/1951 Richwine 119/14.49
- 3,096,740 A * 7/1963 Noorlander 119/14.52
- 3,401,672 A * 9/1968 Berglind 119/14.49
- 3,659,558 A * 5/1972 Noorlander 119/14.52
- 3,973,521 A * 8/1976 Duncan 119/14.47
- 4,651,676 A * 3/1987 Kupres 119/14.47
- 4,840,141 A * 6/1989 Marshall 119/14.47
- 4,964,368 A * 10/1990 Ball et al. 119/14.49
- 5,007,378 A * 4/1991 Larson 119/14.47
- D327,552 S * 6/1992 Lallerstedt D30/199
- 5,215,036 A * 6/1993 Petterson et al. 119/14.47
- 5,224,442 A * 7/1993 Davies 119/14.49



(56)

References Cited

U.S. PATENT DOCUMENTS

6,789,501 B2 * 9/2004 Brown 119/14.47
7,578,260 B2 * 8/2009 Shin 119/14.52
8,302,561 B2 * 11/2012 Laney et al. 119/14.47

2011/0126768 A1* 6/2011 Grace et al. 119/14.47

OTHER PUBLICATIONS

Office Action Examiners Report dated Oct. 19, 2012, from the corresponding New Zealand application 416829.

* cited by examiner

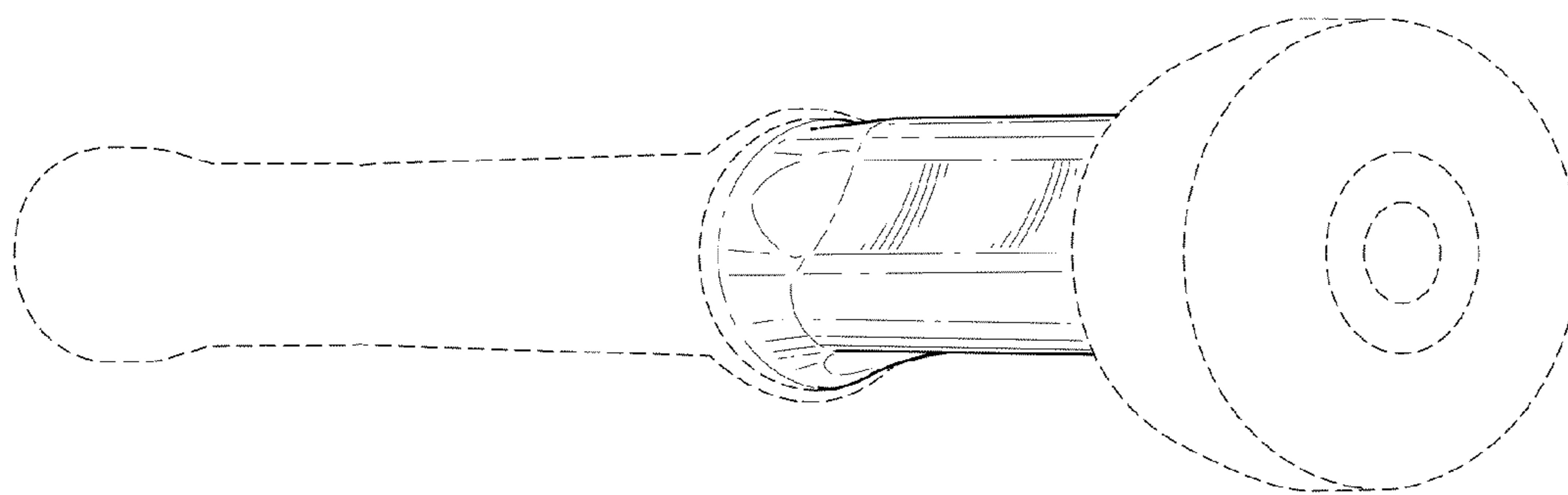


FIG. 1

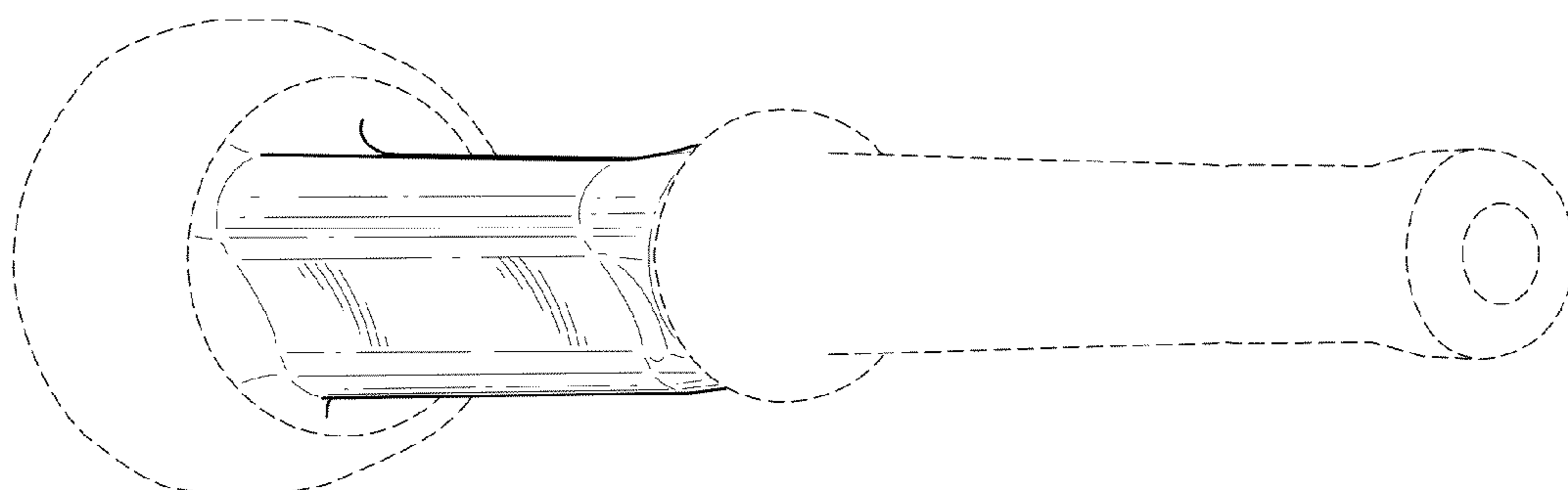


FIG. 2

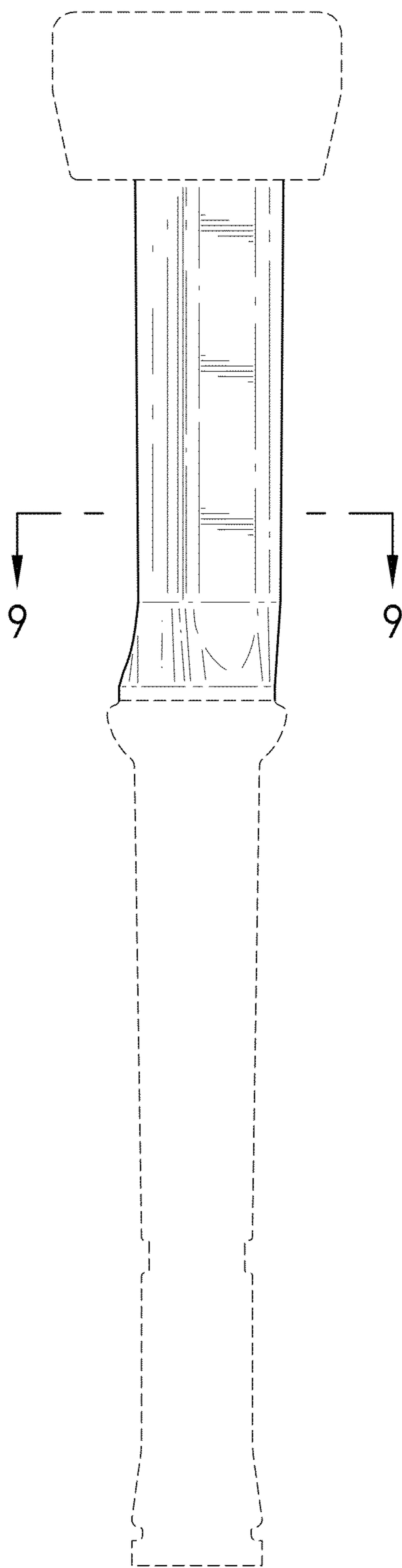


FIG. 3

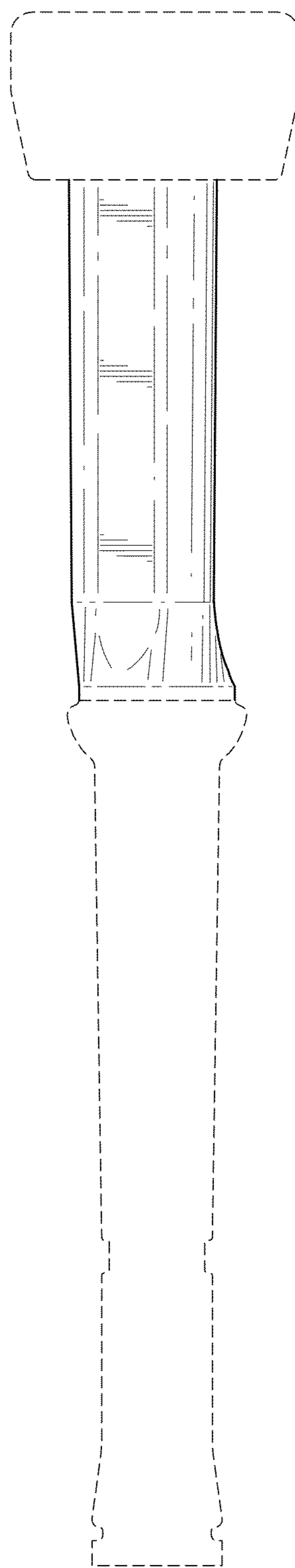


FIG. 4

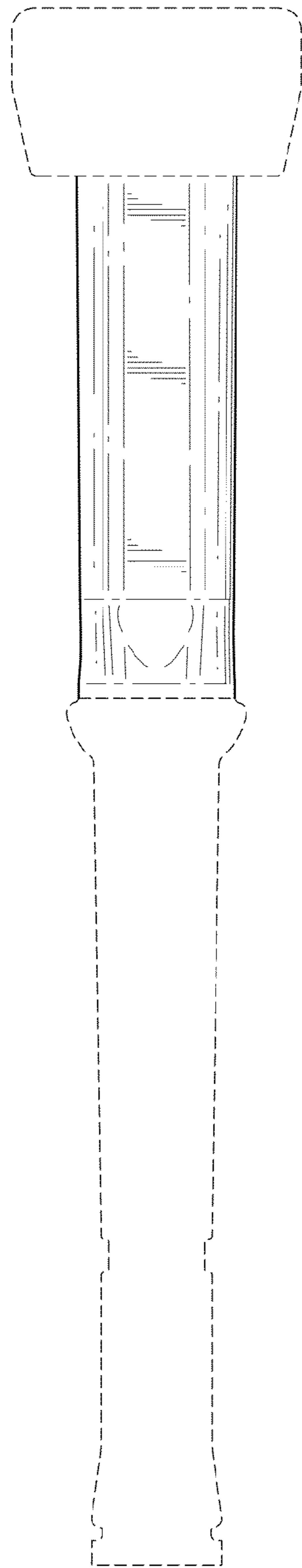


FIG. 5

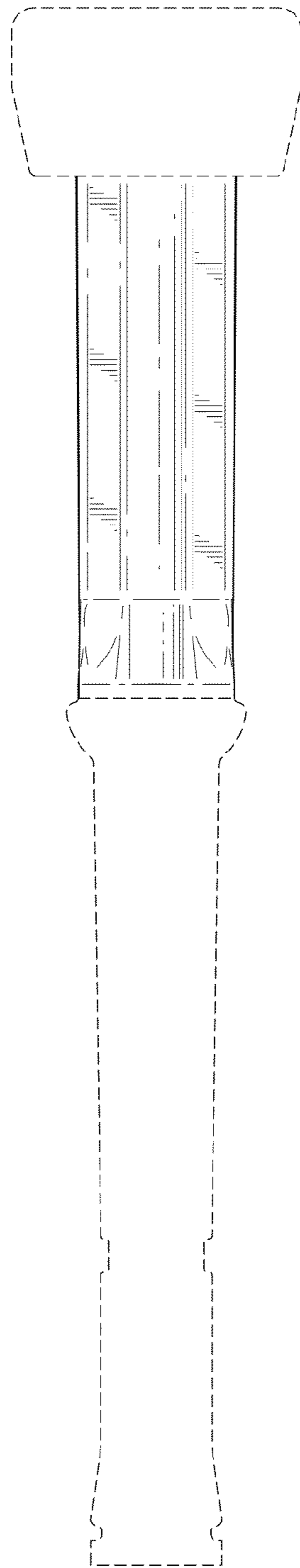


FIG. 6

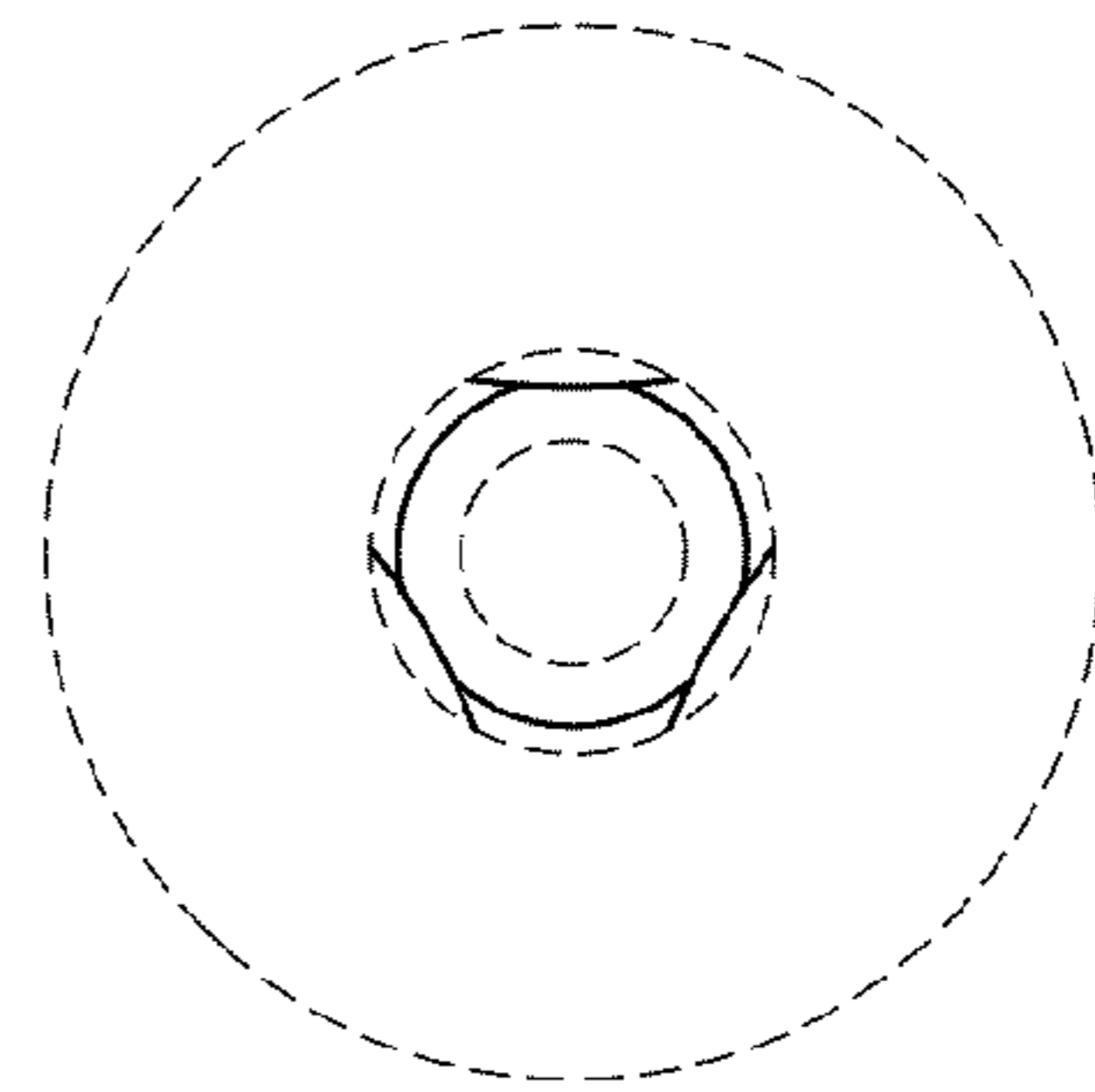


FIG. 7

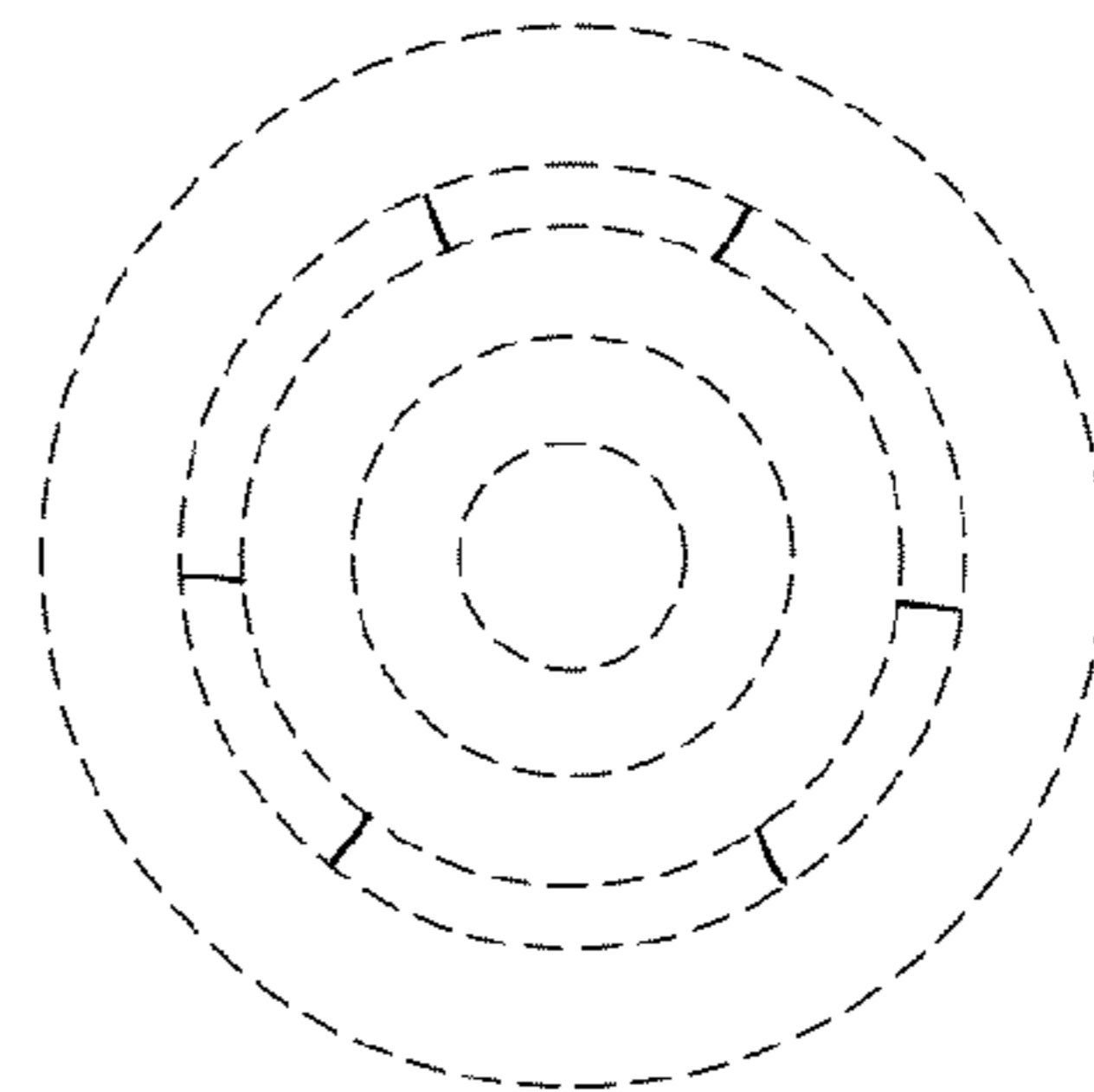


FIG. 8

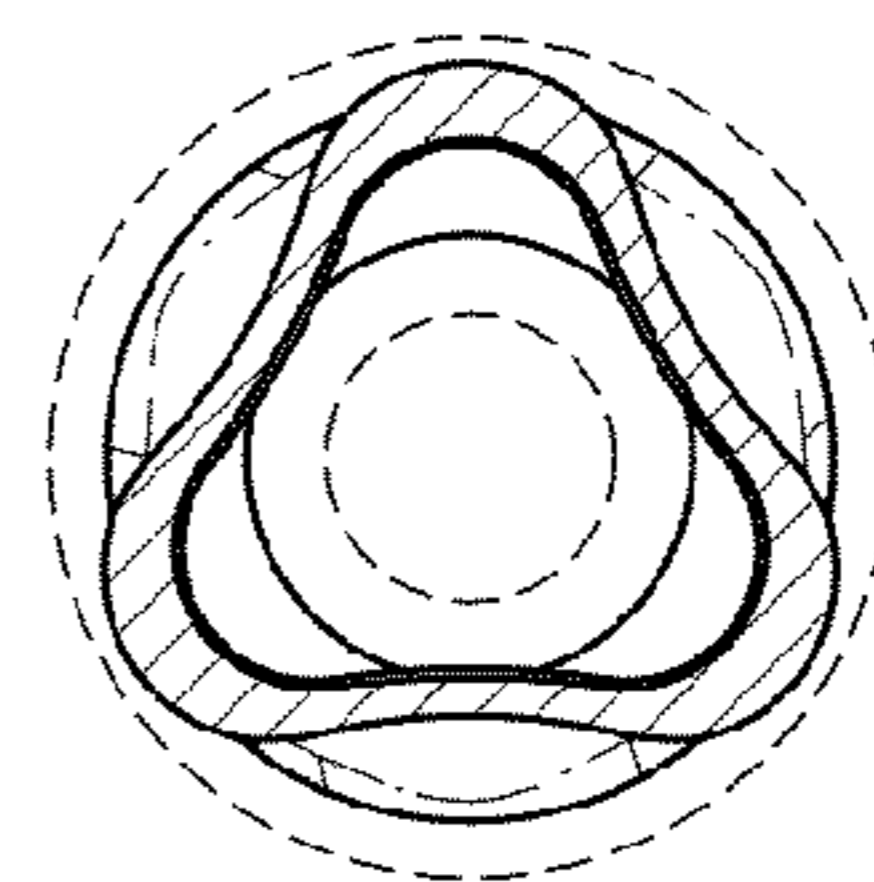


FIG. 9