



US00D715003S

(12) **United States Design Patent**  
**Ramos et al.**

(10) **Patent No.:** **US D715,003 S**  
(45) **Date of Patent:** **\*\* Oct. 7, 2014**

(54) **HELMET WITH INTEGRATED CAMERA AND USB CONNECTOR**

(71) Applicants: **Milo Ramos**, Whitewater, CO (US);  
**Shelly Ramos**, Whitewater, CO (US)

(72) Inventors: **Milo Ramos**, Whitewater, CO (US);  
**Shelly Ramos**, Whitewater, CO (US)

(\*\*) Term: **14 Years**

(21) Appl. No.: **29/464,253**

(22) Filed: **Aug. 14, 2013**

(51) **LOC (10) Cl.** ..... **02-03**

(52) **U.S. Cl.**  
USPC ..... **D29/103**

(58) **Field of Classification Search**  
USPC ..... D29/102-110, 122; 2/410-411,  
2/421-425, 6.1, 6.2, 6.6, 6.7, 175.6, 203,  
2/205, 206, 172-173, 9, 209.13, 906;  
D2/866, 870-871, 875-879, 882, 886,  
D2/891; 348/151, 373; 345/8; 455/344,  
455/575.2, 100; 381/376; 359/815;  
396/420, 429

See application file for complete search history.

(56) **References Cited**

U.S. PATENT DOCUMENTS

D336,552 S \* 6/1993 Timms et al. .... D29/106  
6,292,952 B1 \* 9/2001 Watters et al. .... 2/411  
6,819,354 B1 11/2004 Foster et al.  
6,970,691 B2 \* 11/2005 Thompson ..... 455/344  
D556,951 S \* 12/2007 Gath ..... D29/122

7,570,301 B2 8/2009 Gilor  
D628,346 S \* 11/2010 Petzl ..... D29/102  
8,001,623 B2 8/2011 Gertsch et al.  
8,166,573 B1 \* 5/2012 Chung et al. .... 2/411  
8,342,758 B2 \* 1/2013 Braithwaite ..... 396/420  
2008/0131106 A1 \* 6/2008 Bruce ..... 396/25  
2008/0192114 A1 \* 8/2008 Pearson et al. .... 348/81  
2009/0307826 A1 \* 12/2009 Rogers et al. .... 2/422  
2010/0287684 A1 \* 11/2010 Peterson et al. .... 2/209.13  
2013/0086722 A1 \* 4/2013 Teetzel et al. .... 2/2.5  
2013/0128046 A1 \* 5/2013 Gindin ..... 348/148

\* cited by examiner

*Primary Examiner* — Ruth McInroy

(74) *Attorney, Agent, or Firm* — Crossley Patent Law;  
Micah C. Gunn

(57) **CLAIM**

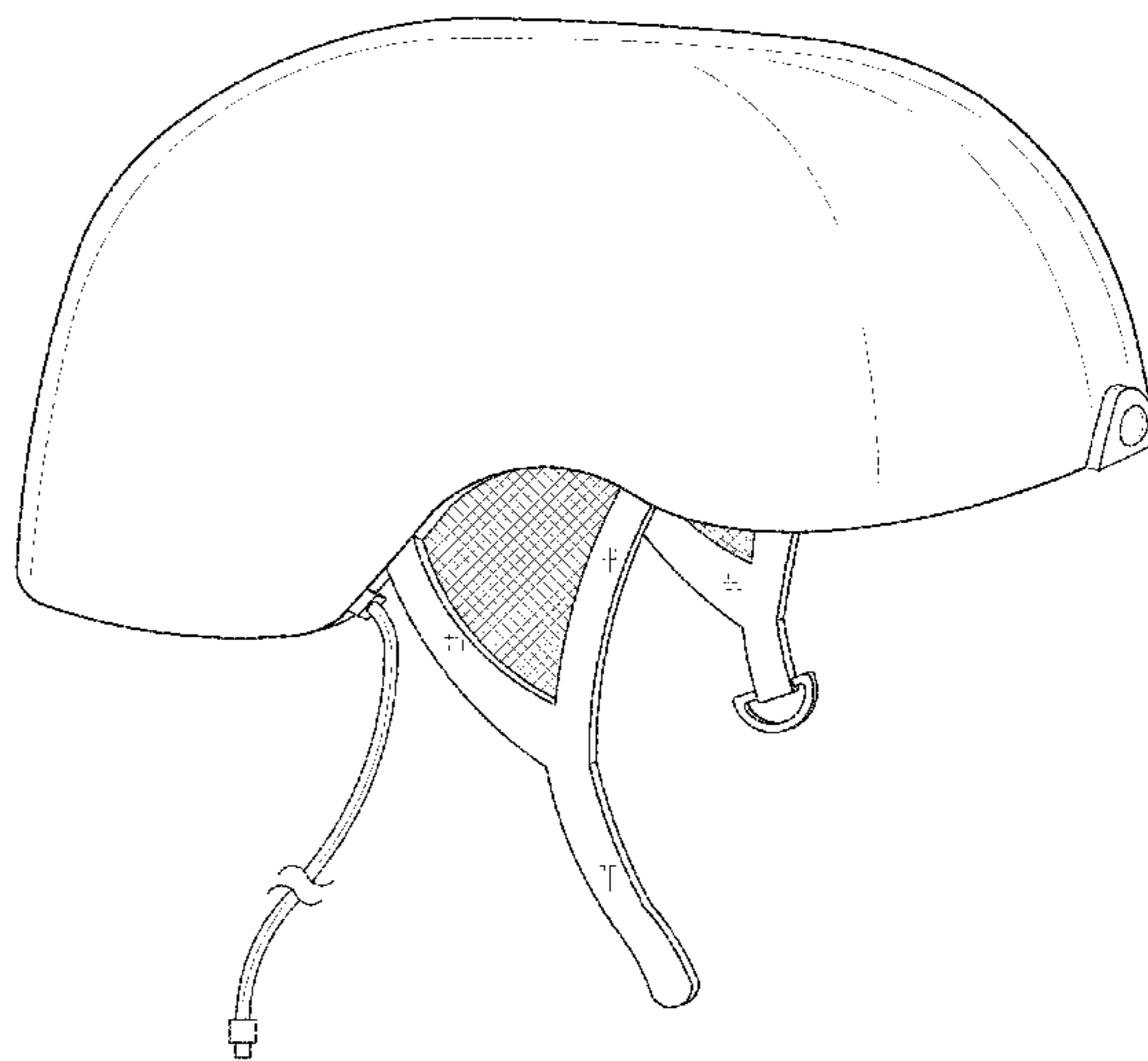
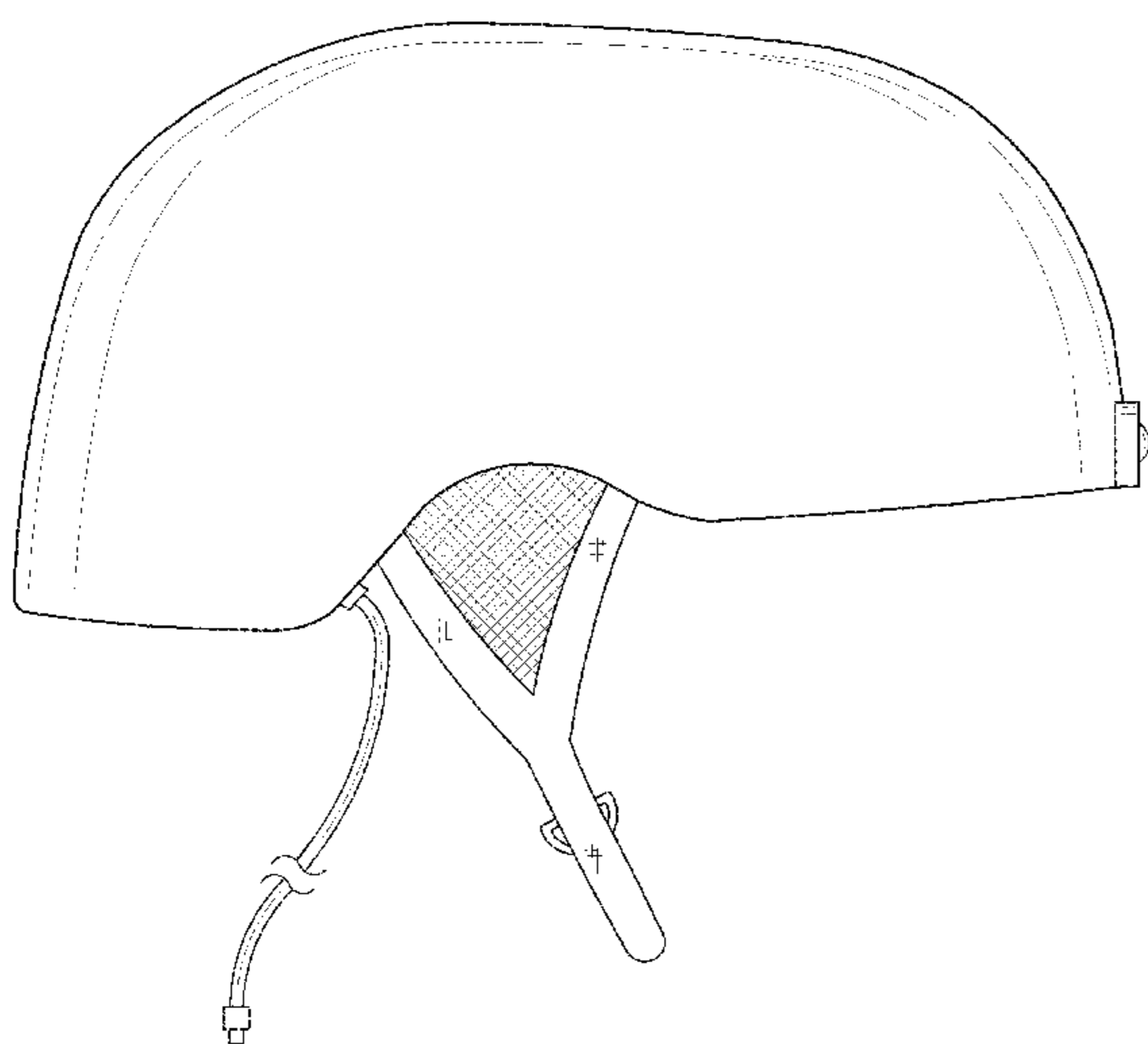
The ornamental design for a helmet with integrated camera and USB connector, as shown and described.

**DESCRIPTION**

FIG. 1 is a front elevation view of a helmet with integrated camera and USB connector showing our new design;  
FIG. 2 is a rear elevation view thereof;  
FIG. 3 is a right side elevation view thereof;  
FIG. 4 is a left side elevation view thereof;  
FIG. 5 is a top plan view thereof;  
FIG. 6 is a bottom plan view thereof; and,  
FIG. 7 is an isometric view thereof.

The broken lines in FIG. 6 form no part of the claimed design. The cord shown broken away represents indeterminate length. The crosshatch shading in FIGS. 3, 4 and 7 is understood to repeat through the indicated area.

**1 Claim, 7 Drawing Sheets**



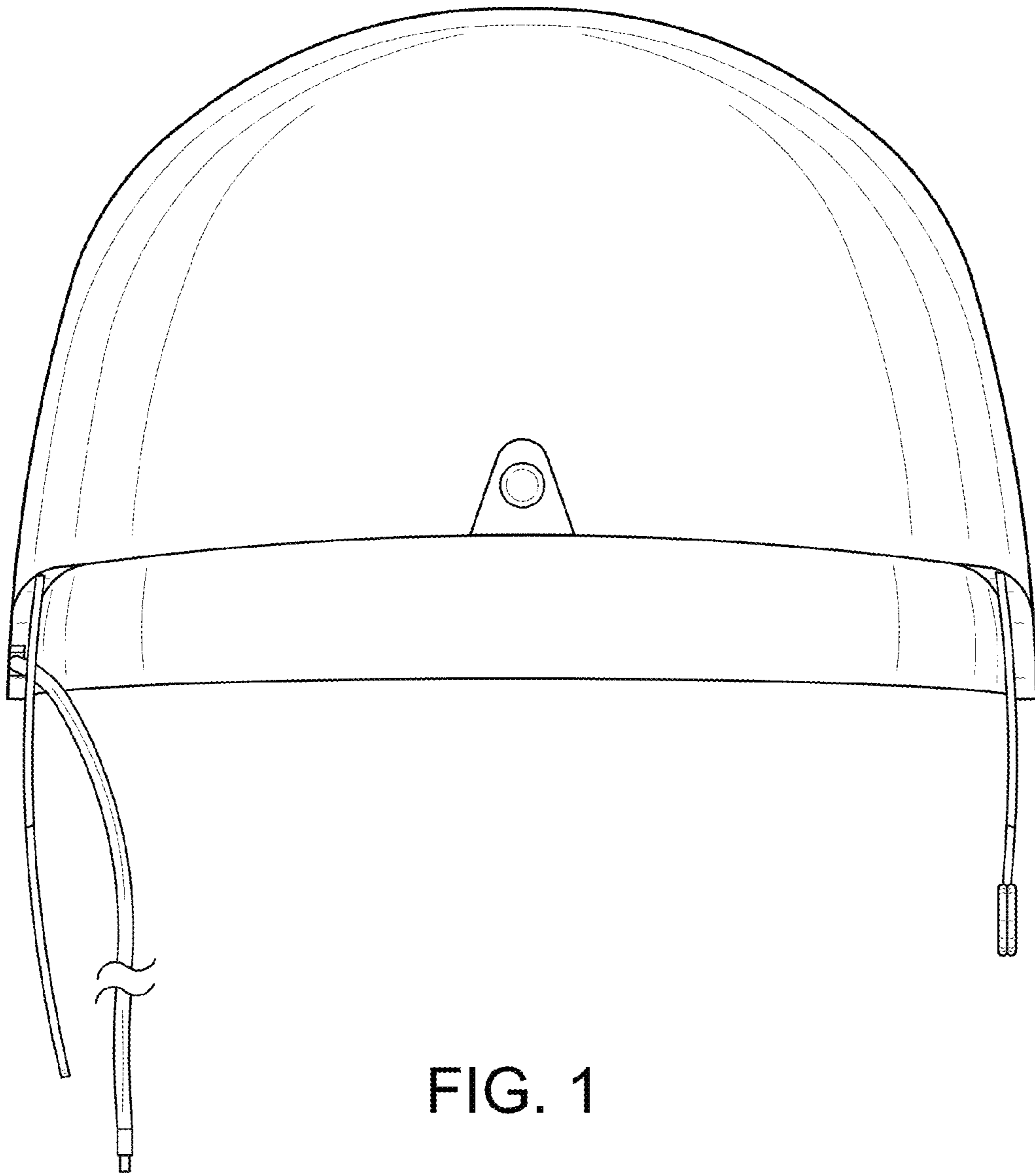


FIG. 1

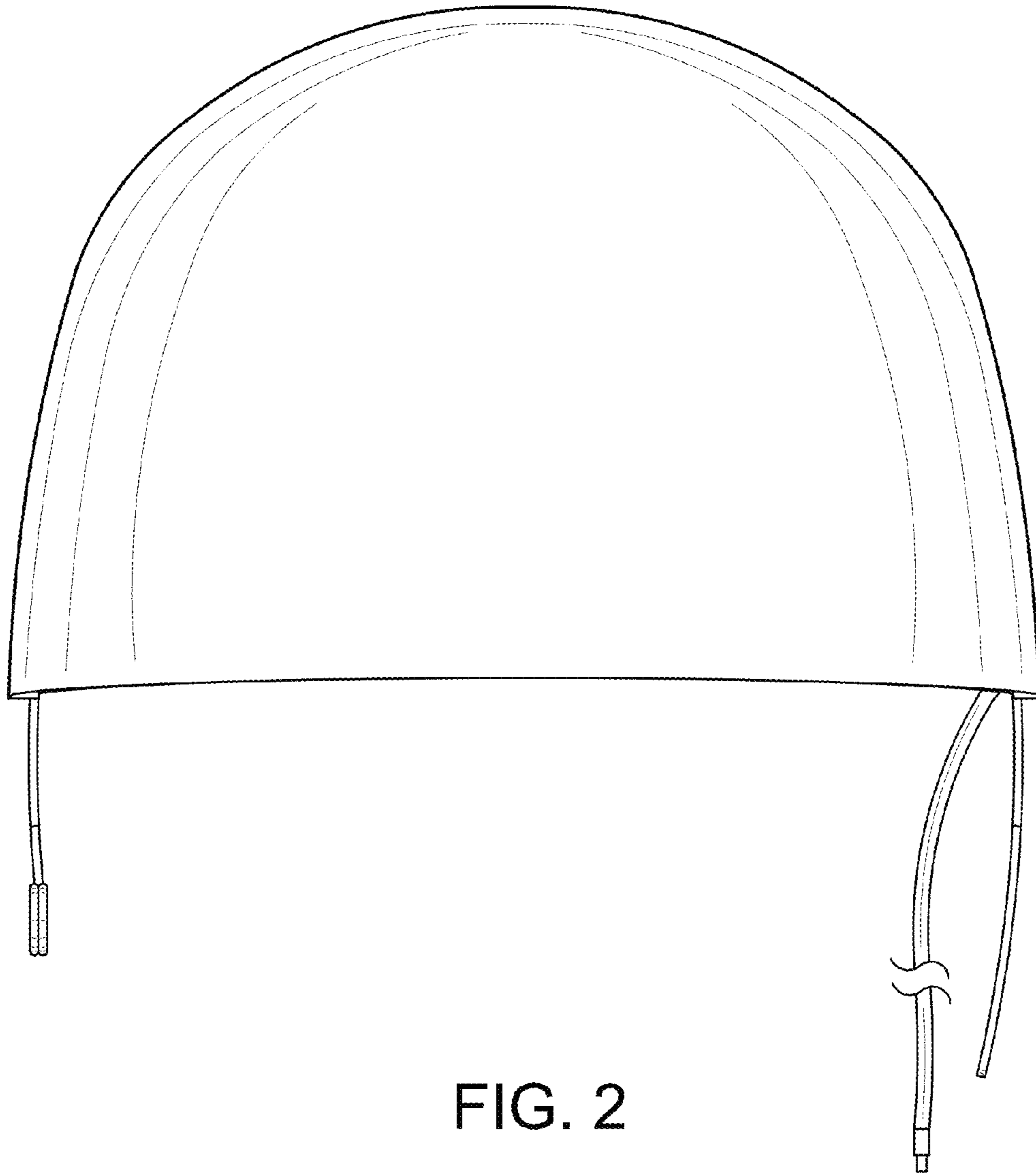


FIG. 2

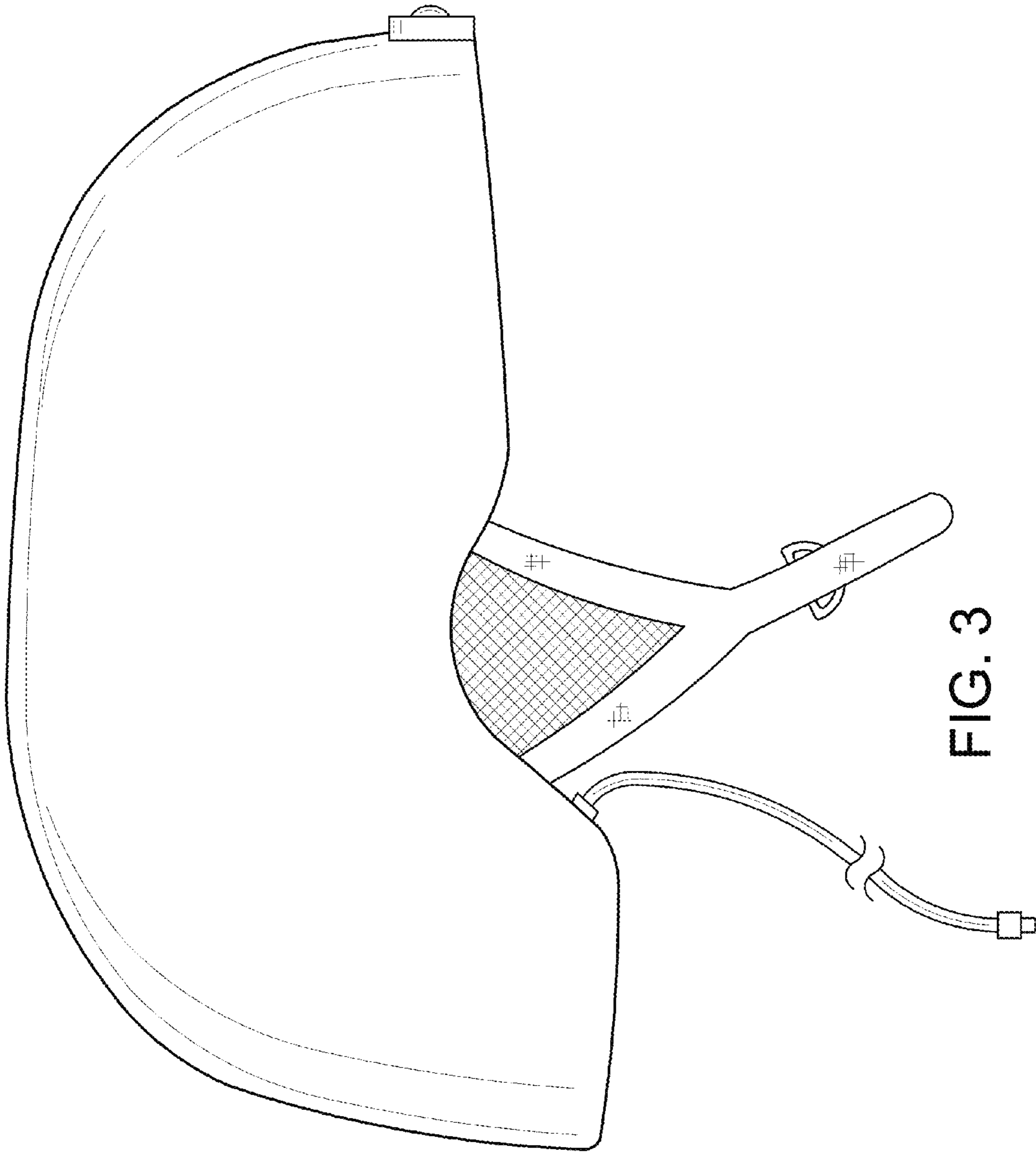


FIG. 3

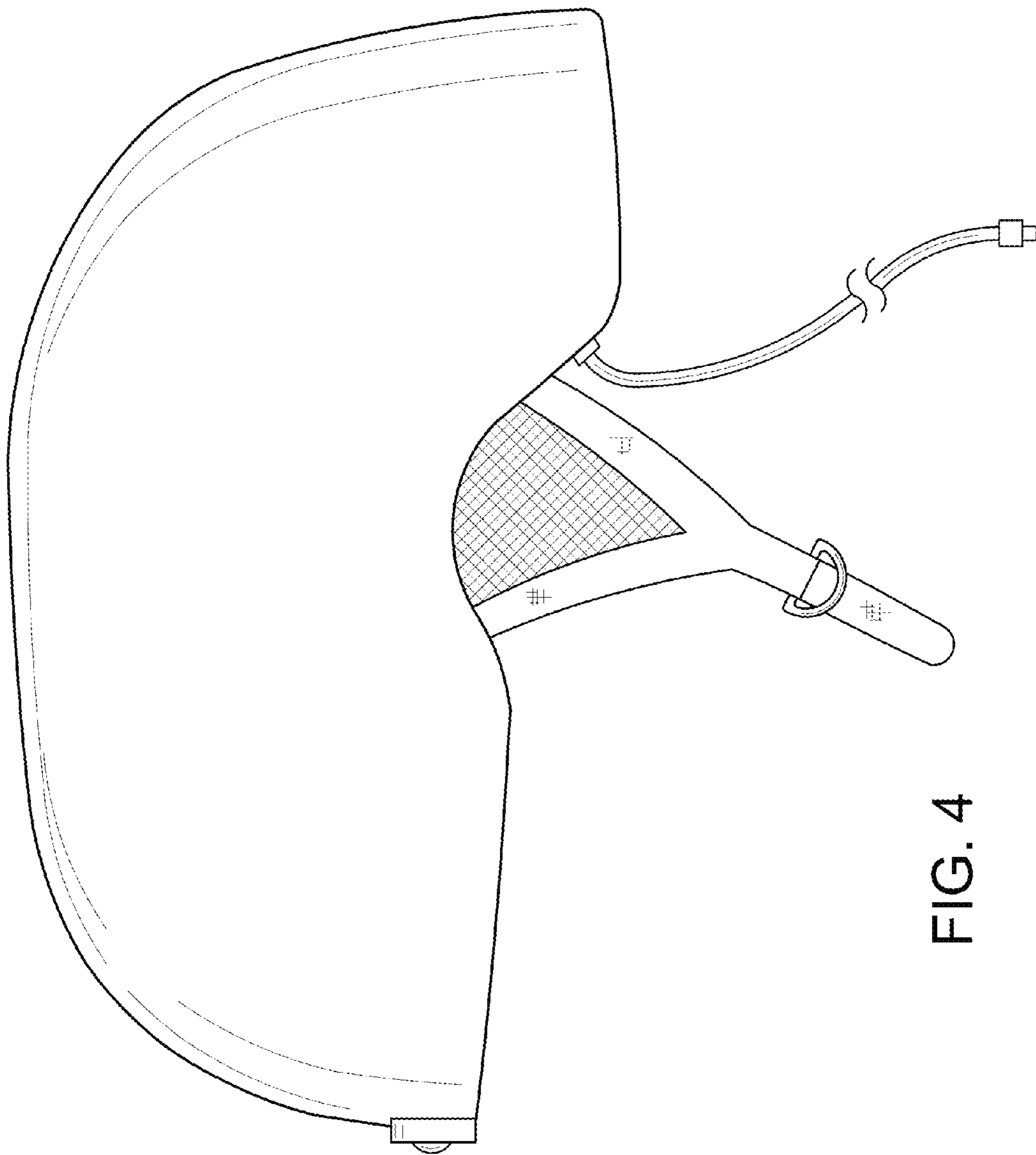


FIG. 4

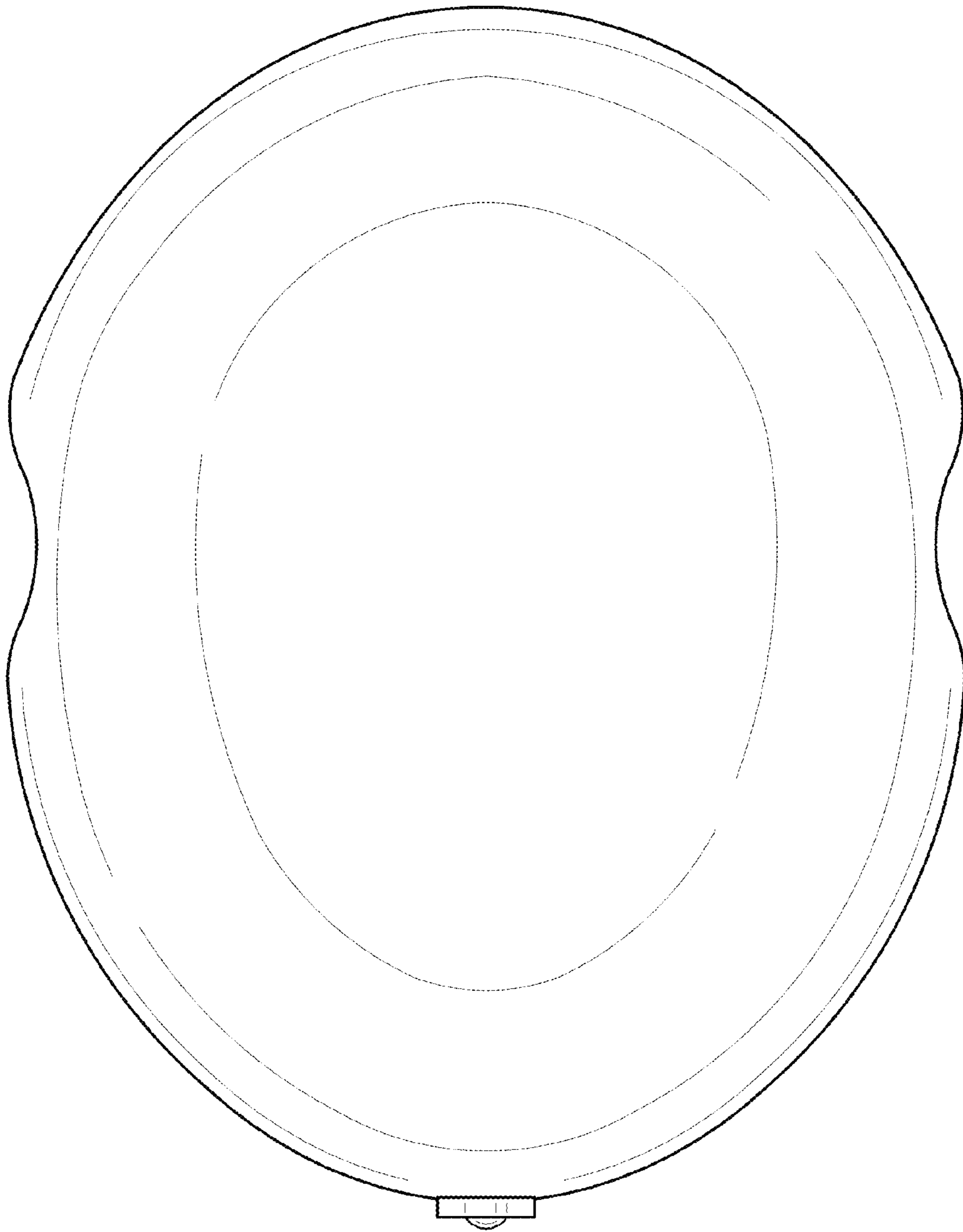


FIG. 5

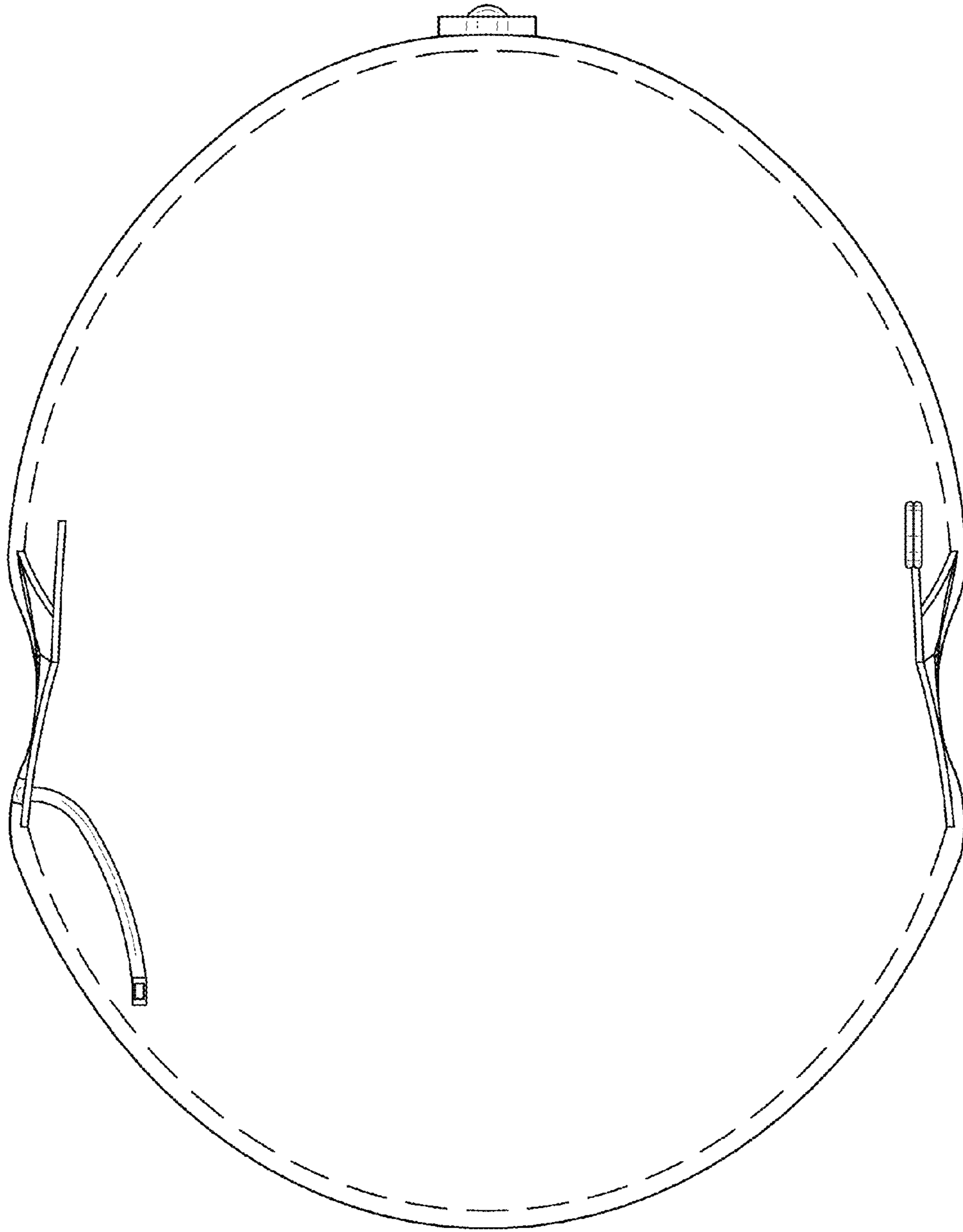


FIG. 6

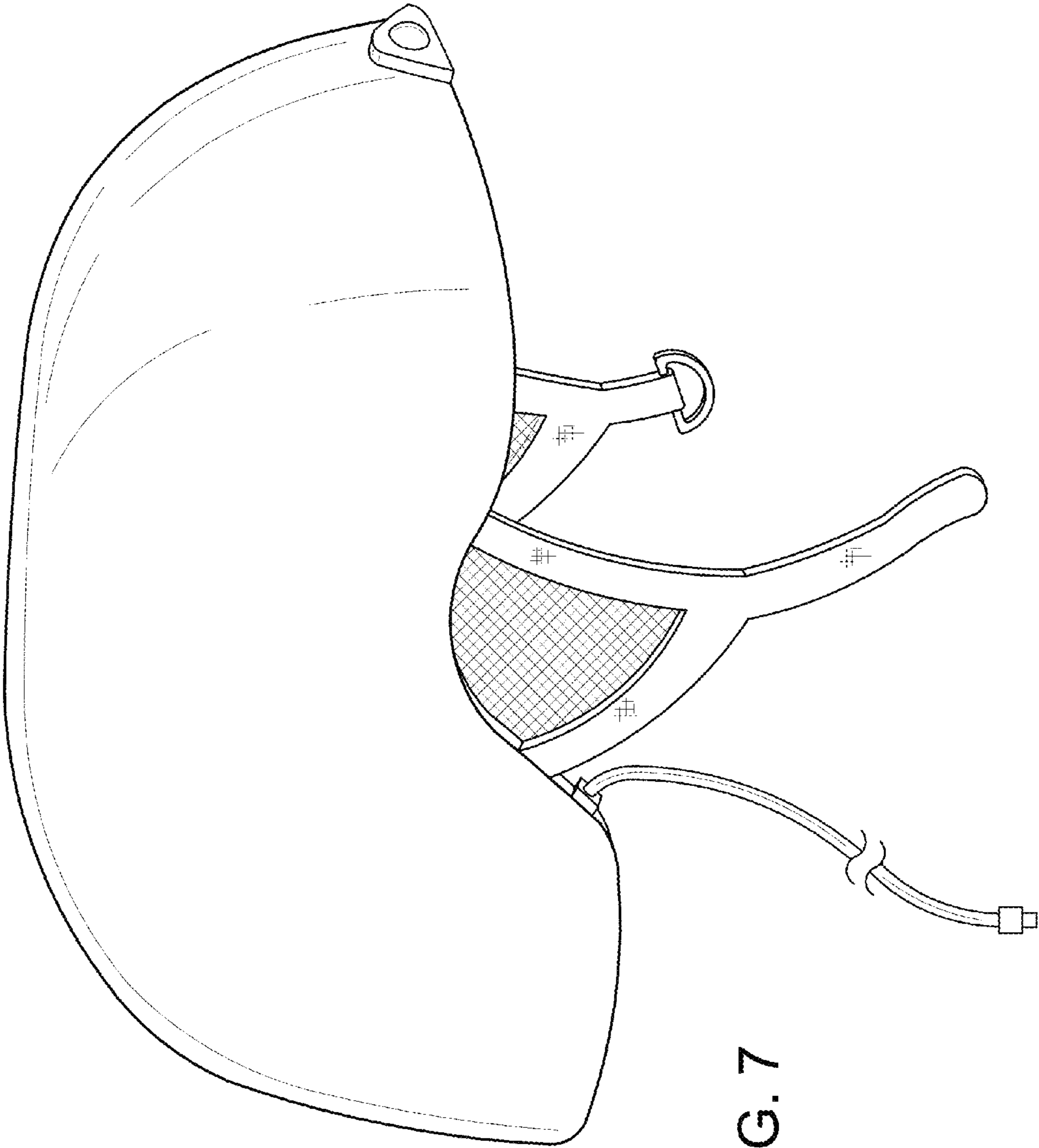


FIG. 7