

US00D714999S

(12) **United States Design Patent**
Phillips et al.

(10) **Patent No.:** **US D714,999 S**
(45) **Date of Patent:** **** Oct. 7, 2014**

- (54) **BASE WITH PROJECTIONS**
- (71) Applicants: **Ben Phillips**, Sterling, IL (US); **Gary Snow**, Rock Falls, IL (US); **Chad Aulwes**, Sterling, IL (US); **Robert Buck, Jr.**, Rock Falls, IL (US)
- (72) Inventors: **Ben Phillips**, Sterling, IL (US); **Gary Snow**, Rock Falls, IL (US); **Chad Aulwes**, Sterling, IL (US); **Robert Buck, Jr.**, Rock Falls, IL (US)

- D458,710 S 6/2002 Altamore et al.
- D472,674 S 4/2003 Long et al.
- D479,362 S 9/2003 Dirks
- D497,452 S 10/2004 Nielsen et al.
- D500,391 S 12/2004 Nielsen et al.
- D501,278 S 1/2005 Nielsen et al.
- D513,344 S 12/2005 Choi
- 6,986,206 B2 1/2006 McCambridge et al.
- 7,057,374 B2 6/2006 Freas et al.
- D555,286 S 11/2007 Long

(Continued)

OTHER PUBLICATIONS

- (73) Assignee: **Wahl Clipper Corporation**, Sterling, IL (US)

U.S. Appl. No. 29/449,853, filed Mar. 15, 2013.

(Continued)

(**) Term: **14 Years**

Primary Examiner — Jennifer Rivard

(21) Appl. No.: **29/480,628**

(74) *Attorney, Agent, or Firm* — Greer Burns & Crain Ltd.

(22) Filed: **Jan. 28, 2014**

(57) **CLAIM**

The ornamental design for the base with projections, as shown and described.

Related U.S. Application Data

- (62) Division of application No. 29/449,886, filed on Mar. 15, 2013, now Pat. No. Des. 701,647.

DESCRIPTION

(51) **LOC (10) Cl.** **28-03**

FIG. 1 is a perspective view of an embodiment of the base with projections showing our new design.

(52) **U.S. Cl.**

USPC **D28/54**

FIG. 2 is a front end view of the base with projections shown in FIG. 1;

(58) **Field of Classification Search**

USPC D28/49-54, 44-48; 30/34.05, 32, 34.1, 30/34.2, 43-43.92, 526-527, 44-45, 341, 30/272.1, 226-227, 231, 233-233.5, 537

FIG. 3 is a back end view of the base with projections shown in FIG. 1;

See application file for complete search history.

FIG. 4 is a left side view of the base with projections shown in FIG. 1;

(56) **References Cited**

U.S. PATENT DOCUMENTS

- 5,068,966 A 12/1991 Wahl et al.
- D340,783 S 10/1993 McCambridge
- D373,853 S 9/1996 Melton et al.
- D435,936 S 1/2001 Long et al.
- D436,692 S 1/2001 Larsen
- D443,725 S 6/2001 Copland et al.

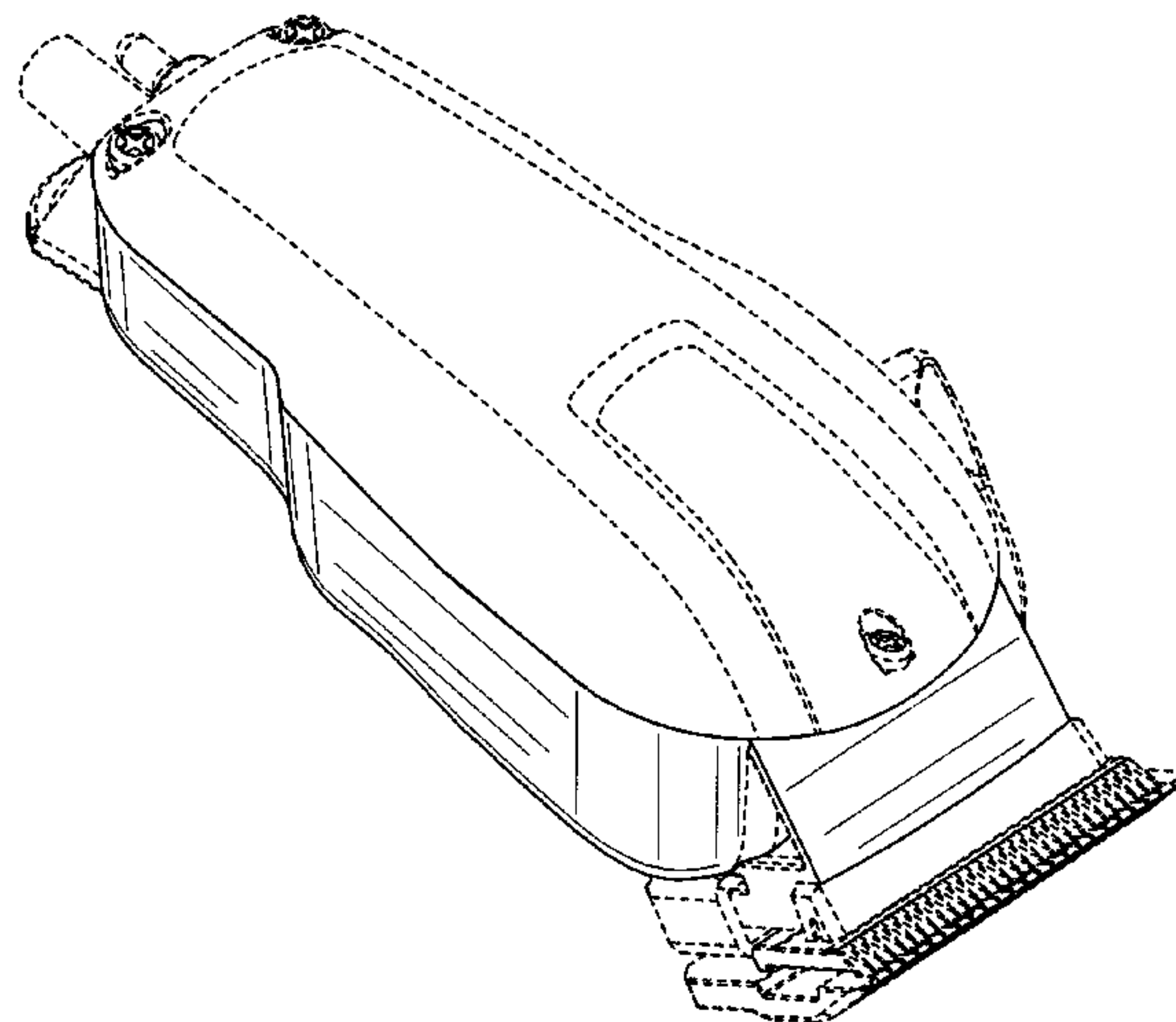
FIG. 5 is a right side view of the base with projections shown in FIG. 1;

FIG. 6 is a top view of the base with projections shown in FIG. 1; and,

FIG. 7 is a bottom view of the base with projections shown in FIG. 1.

The broken lines illustrate environmental structure and form no part of the claimed design.

1 Claim, 6 Drawing Sheets



(56)

References Cited

U.S. PATENT DOCUMENTS

7,346,990 B2 3/2008 Dirks et al.
D573,756 S 7/2008 Nielsen et al.
D577,865 S 9/2008 Long et al.
D582,604 S 12/2008 Eddinger et al.
D597,254 S 7/2009 Eddinger et al.
D619,303 S * 7/2010 Aulwes et al. D28/53
D621,546 S 8/2010 Aulwes et al.
D628,304 S 11/2010 Aulwes et al.
D652,170 S 1/2012 Snow et al.

D675,780 S 2/2013 Wallace et al.
D675,781 S 2/2013 Whittaker et al.
D675,782 S 2/2013 Buck, Jr.
D678,612 S * 3/2013 Aulwes et al. D28/53
D701,647 S * 3/2014 Snow et al. D28/54

OTHER PUBLICATIONS

U.S. Appl. No. 29/479,758, filed Jan. 20, 2014.
U.S. Appl. No. 29/449,815, filed Mar. 15, 2013.
U.S. Appl. No. 29/479,762, filed Jan. 20, 2014.

* cited by examiner

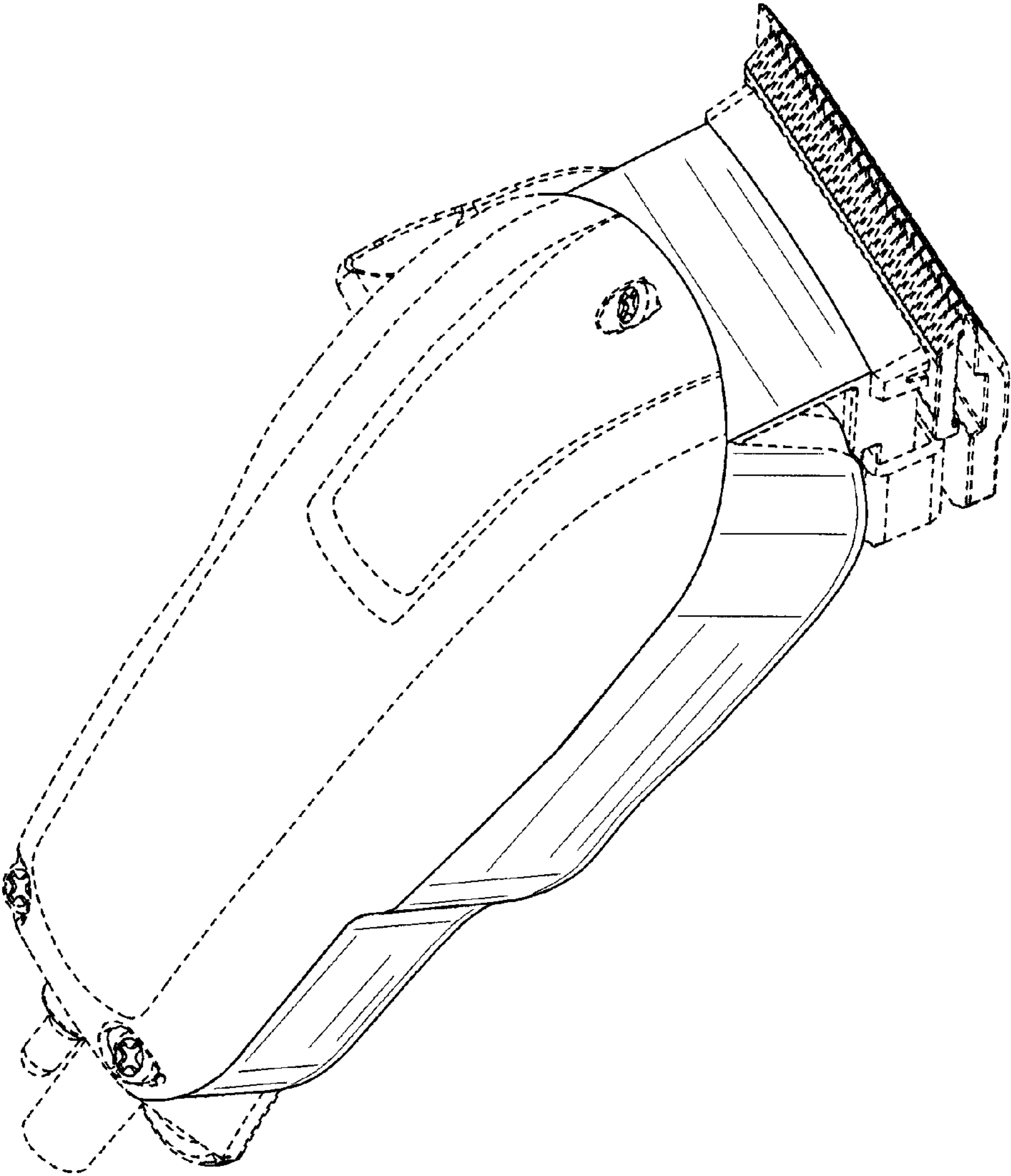


FIG. 1

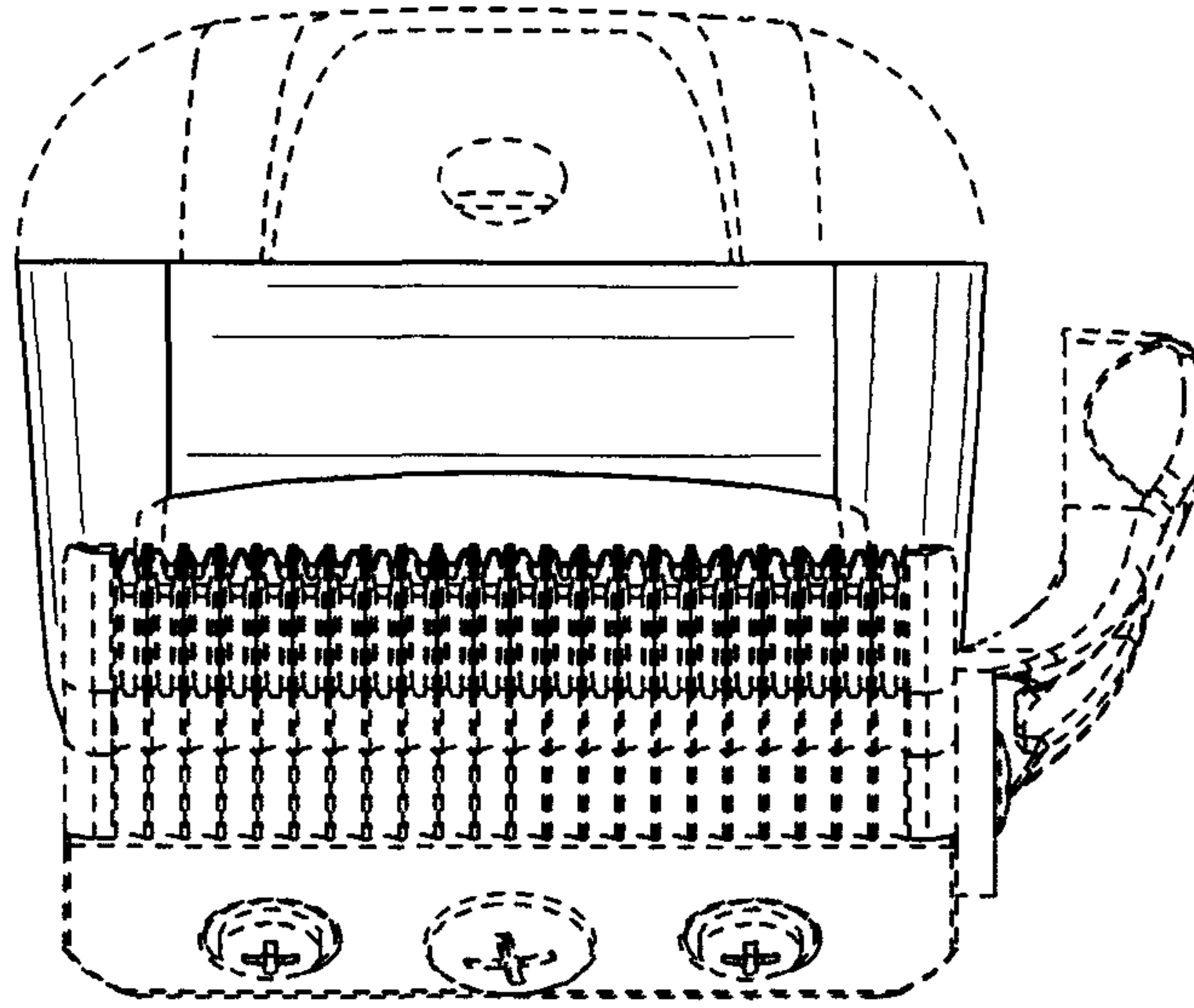


FIG. 2

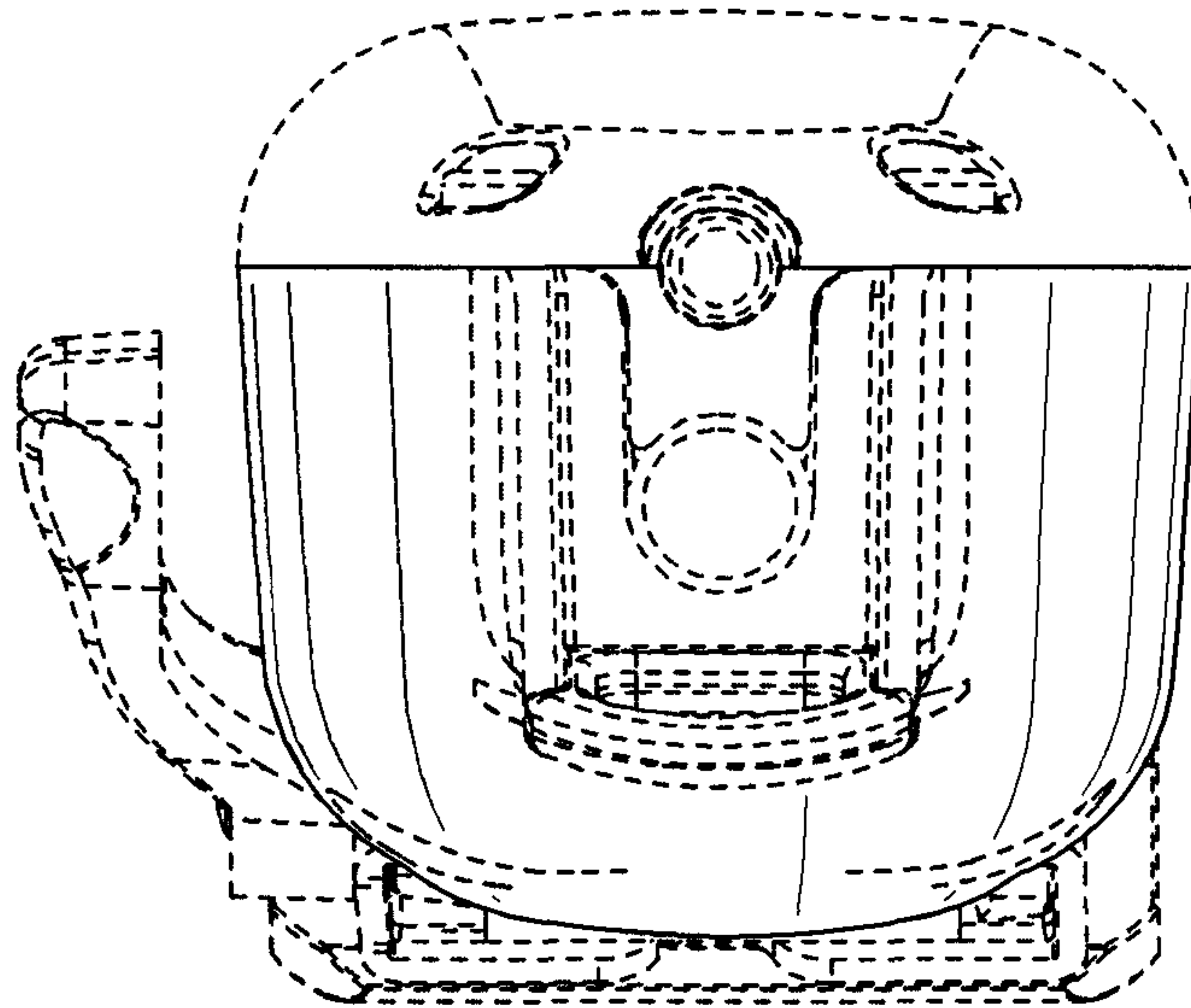


FIG. 3

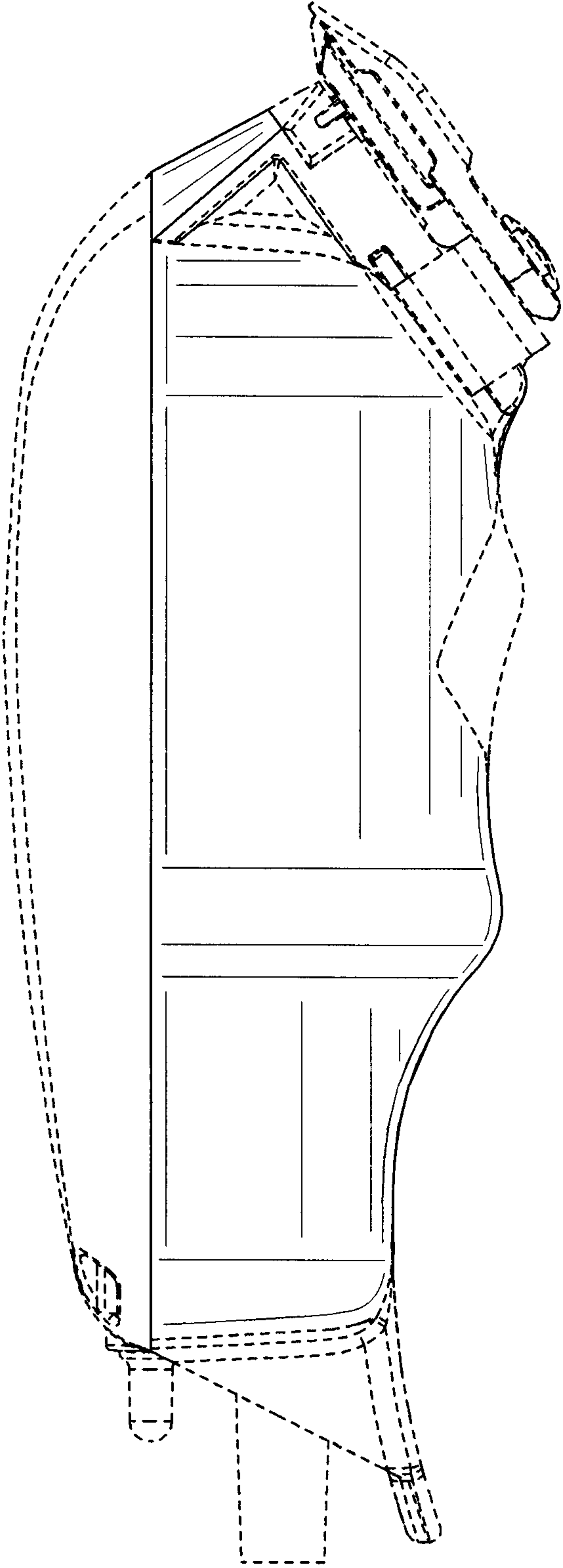


FIG. 4

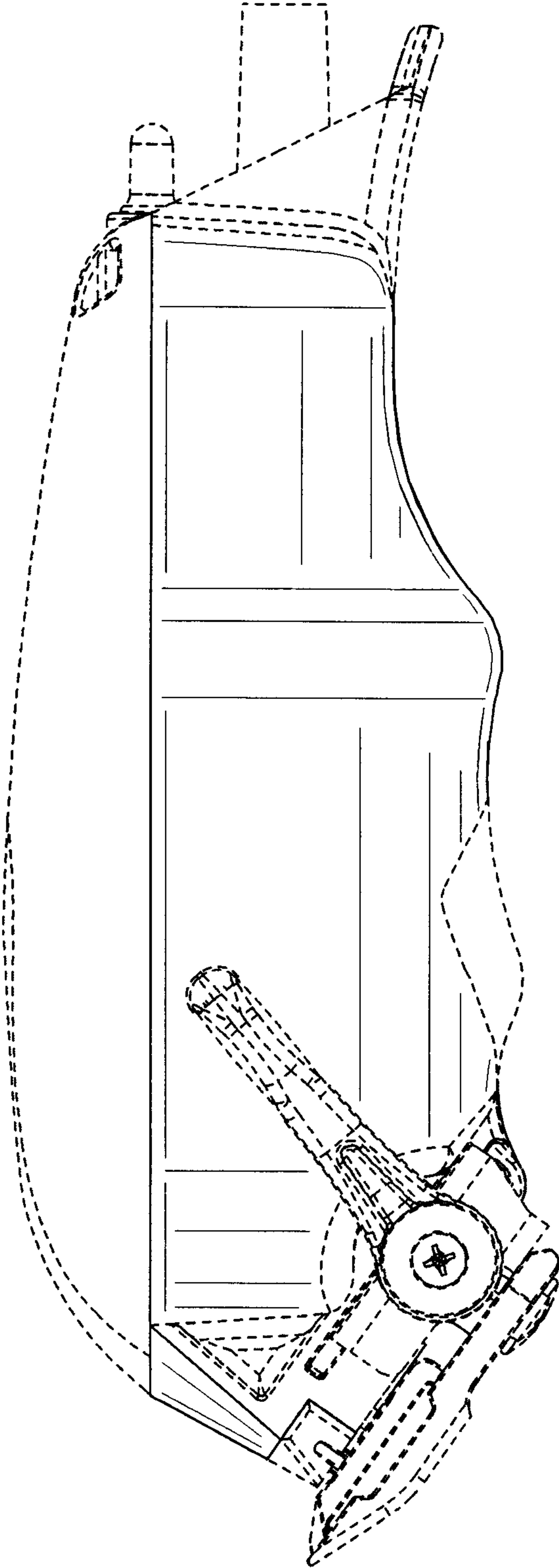


FIG. 5

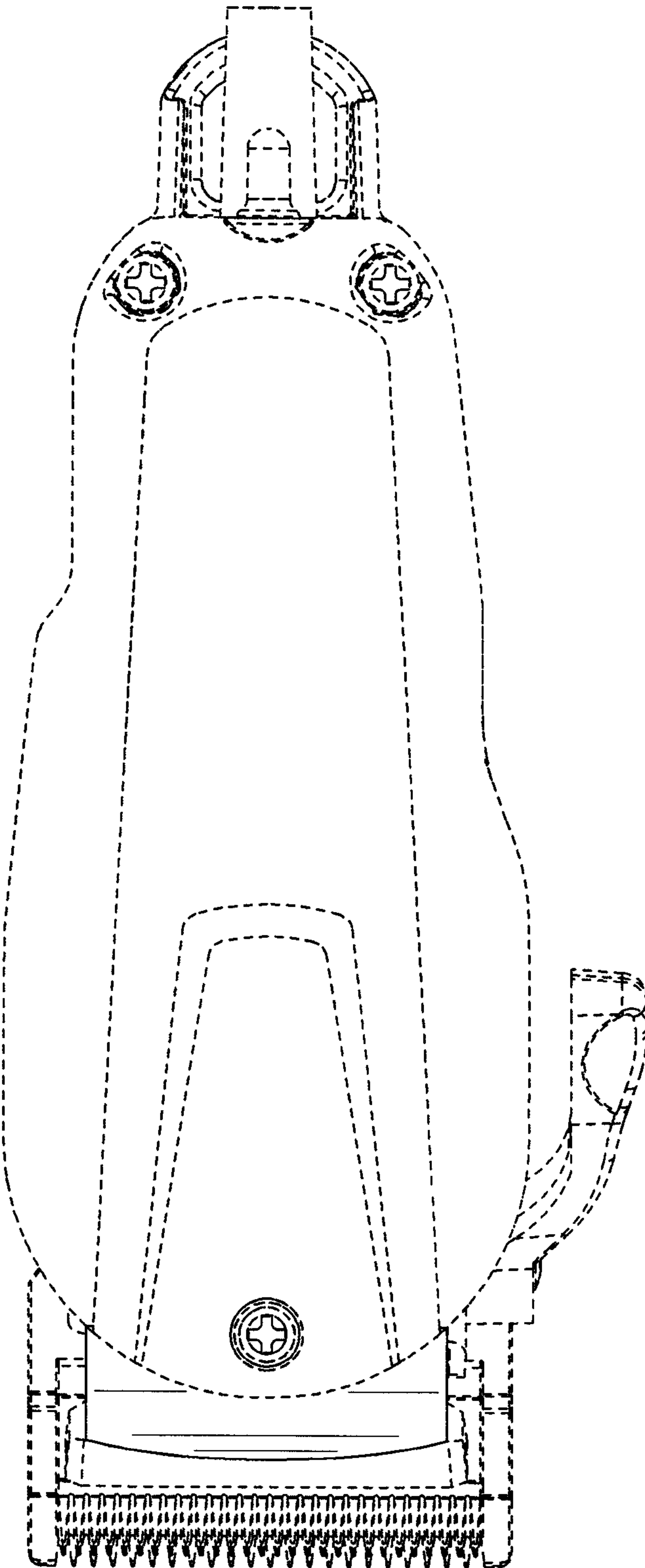


FIG. 6

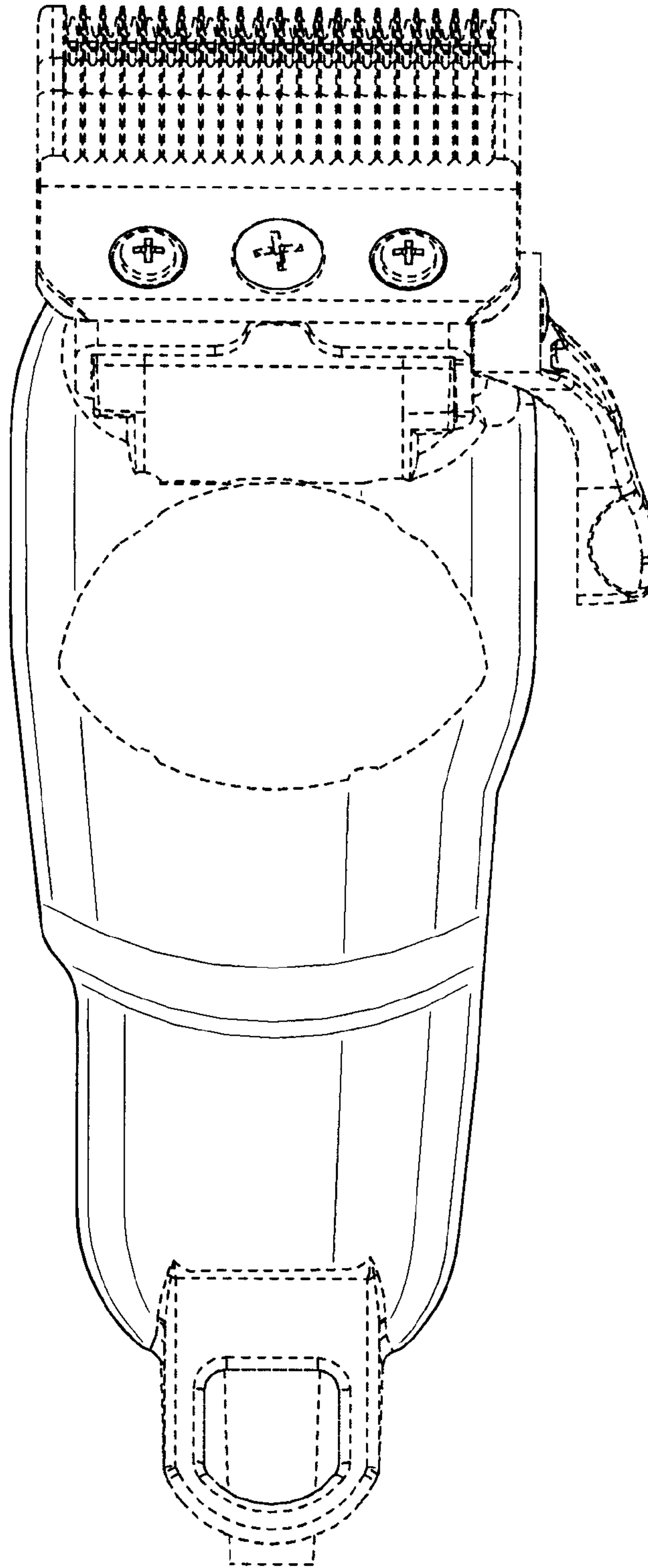


FIG. 7